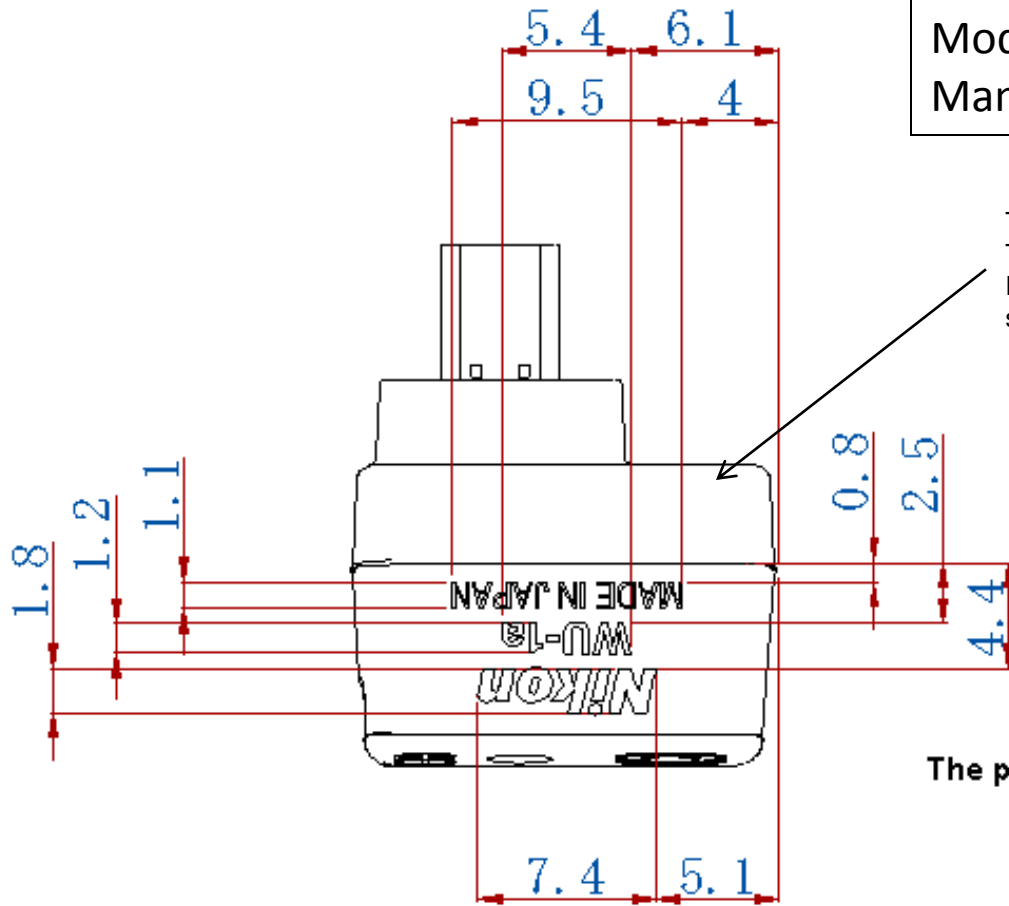
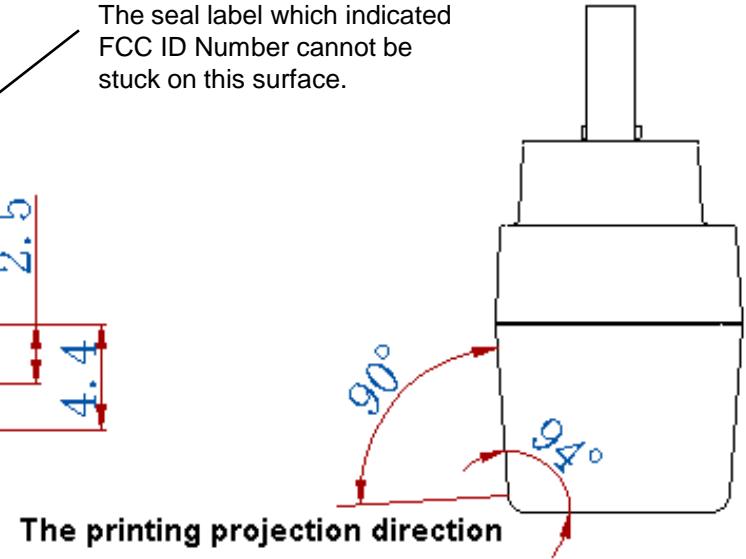


# WU-1a Label Design

Trade name: Nikon  
 Model name: WU-1a  
 Manufacture country: MADE IN JAPAN



This surface is a grain finish.  
 The seal label which indicated  
 FCC ID Number cannot be  
 stuck on this surface.



# WU-1a Label Design

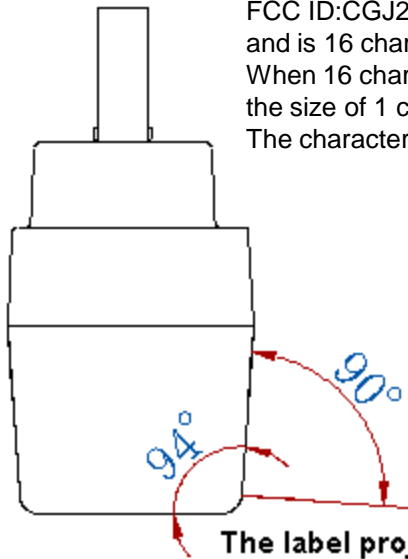
To FCC

S/N:00000000(example)  
Model name:WU-1a

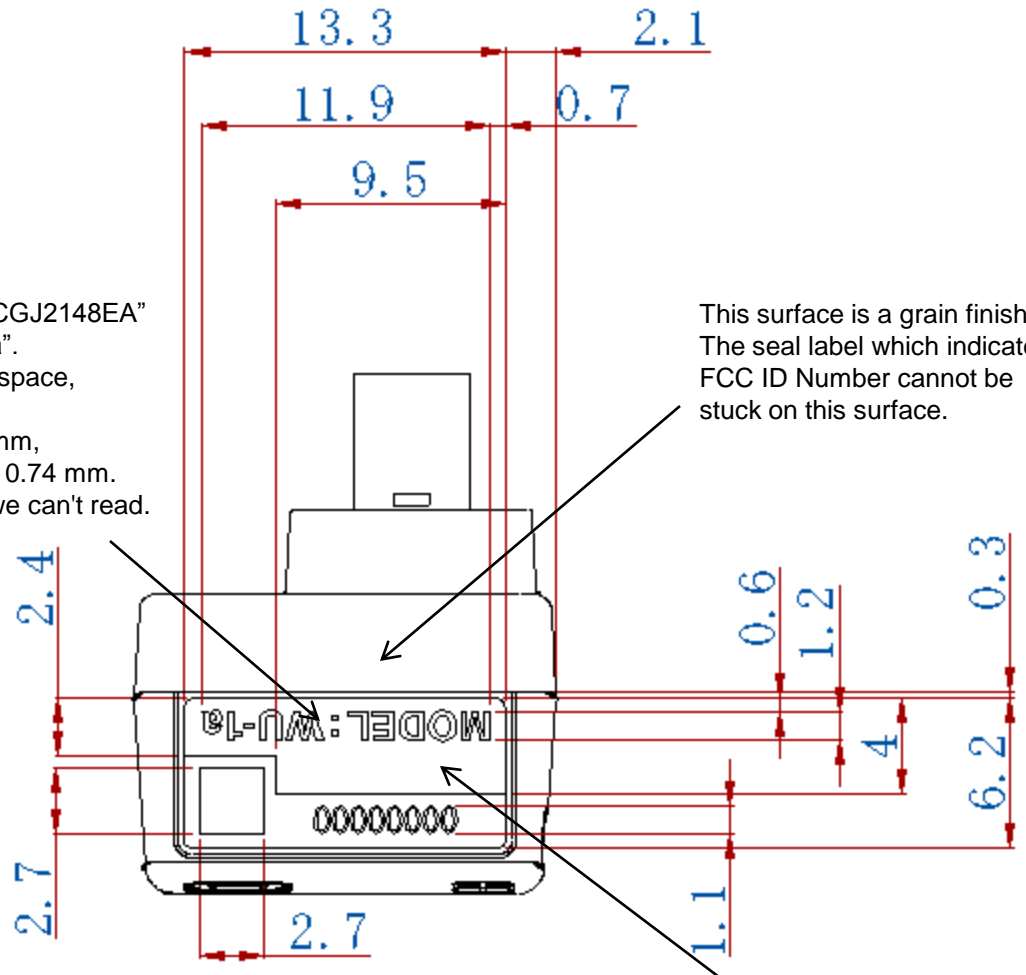
Since product size is small,  
FCC ID is posted to a manual.

It isn't possible to mention "FCC ID:CGJ2148EA" by a party instead of "MODEL:WU-1a".  
FCC ID:CGJ2148EA will leave white space, and is 16 character.  
When 16 character is put in the 11.9mm, the size of 1 character will be at most 0.74 mm.  
The character size is too small, and we can't read.

This surface is a grain finish.  
The seal label which indicated FCC ID Number cannot be stuck on this surface.



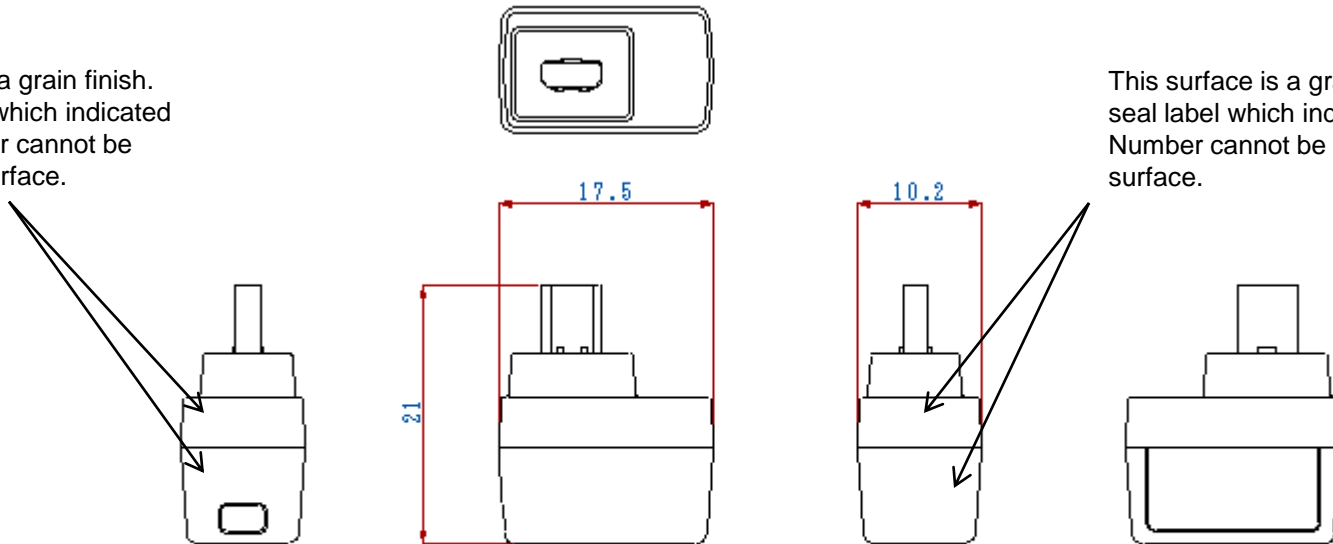
The label projection direction



There is no space which indicates FCC ID:CGJ2148EA.

# WU-1a Outlook

This surface is a grain finish. The seal label which indicated FCC ID Number cannot be stuck on this surface.



This surface is a grain finish. The seal label which indicated FCC ID Number cannot be stuck on this surface.

This field has the lens for LED, the WPS button, and a hole for straps. There is no space which indicates FCC ID:CGJ2148EA.