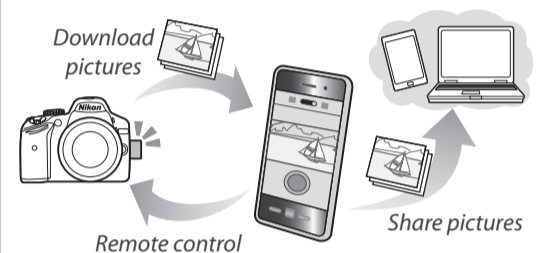
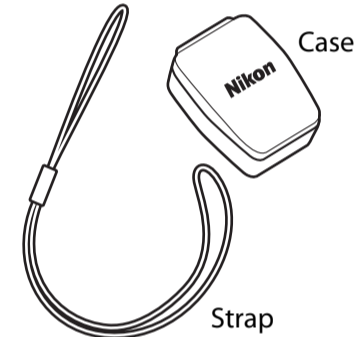
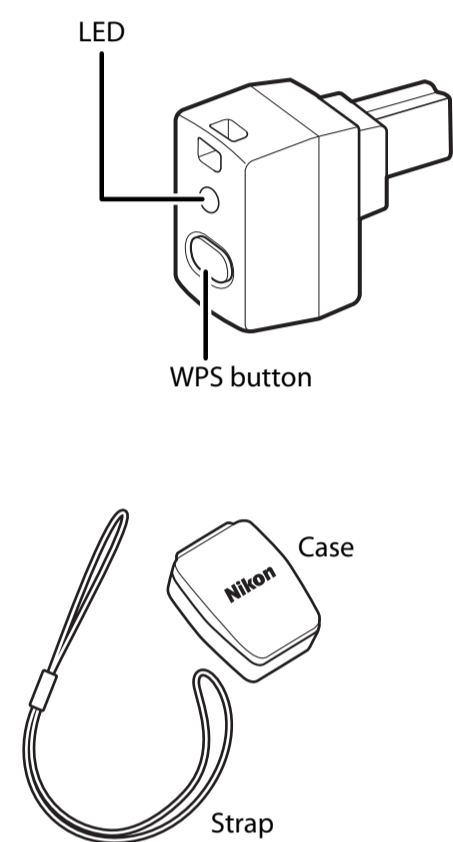


English

Thank you for your purchase of a Nikon wireless mobile adapter that allows connections between your camera and Wi-Fi equipped smartphones, tablets, and other smart devices (for information on whether your camera can be used with the adapter, see the camera manual). Before using this product, read this manual and the documentation provided with your camera and the Wireless Mobile Adapter Utility app.



The Wireless Mobile Adapter Utility manual is available for download from the following website. Check the website to confirm that the Wireless Mobile Adapter Utility is supported on your smart device.
<http://nikonimglib.com/ManDL/WMAU/>



For Your Safety

To prevent damage to your Nikon product or injury to yourself or to others, read the following safety precautions in their entirety before using this product. Keep these safety instructions where all those who use the product will read them.

The consequences that could result from failure to observe the precautions listed in this section are indicated by the following symbol:

This icon marks warnings, information that should be read before using this Nikon product to prevent possible injury.

WARNINGS

- ⚠ **Do not disassemble.** Failure to observe this precaution could result in fire, electric shock, or other injury. Should the product break open as the result of a fall or other accident, disconnect the camera power source and take the product to a Nikon-authorized service representative for inspection.
- ⚠ **Cut power immediately in the event of malfunction.** Should you notice smoke or an unusual smell coming from the product, immediately turn the camera off. Continued operation could result in injury. Once the product has cooled, remove it and take it to a Nikon-authorized service representative for inspection.
- ⚠ **Do not use in the presence of flammable gases.** Failure to observe this precaution could result in explosion or fire.
- ⚠ **Keep dry.** Do not immerse in or expose to water or rain. Failure to observe this precaution could result in fire or electric shock.

- ⚠ **Do not handle with wet hands.** Failure to observe this precaution could result in electric shock.
- ⚠ **Keep out of reach of children.** Failure to observe this precaution could result in injury. In addition, note that small parts constitute a choking hazard. Should a child swallow any part of this product, consult a physician immediately.
- ⚠ **Do not remain in contact with the camera or adapter for extended periods while the products are on or in use.** Parts of the product become hot. Leaving the product in direct contact with the skin for extended periods may result in low-temperature burns.
- ⚠ **Do not expose to high temperatures.** Do not leave the product in a closed vehicle under the sun or in other areas subject to extremely high temperatures. Failure to observe this precaution could result in fire or in damage to the casing or internal parts.
- ⚠ **Follow the instructions of hospital and airline personnel.** This product emits radio frequency radiation that could interfere with medical or navigational equipment. Do not use this product in a hospital or on board an airplane without first obtaining the permission of hospital or airline staff.

Notices

- No part of this manual may be reproduced, transmitted, transcribed, stored in a retrieval system, or translated into any language in any form, by any means, without Nikon's prior written permission.
- Nikon reserves the right to change the specifications of the hardware and software described in this manual at any time and without prior notice.
- Nikon will not be held liable for any damages resulting from the use of this product.
- While every effort has been made to ensure that the information in this manual is accurate and complete, we would appreciate it were you to bring any errors or omissions to the attention of the Nikon representative in your area (address provided separately).

This product, which contains encryption software developed in the United States, is controlled by the United States Export Administration Regulations and may not be exported or re-exported to any country to which the United States embargoes goods. The following countries are currently subject to embargo: Cuba, Iran, North Korea, Sudan, and Syria.

Notices for Customers in the U. S. A. and Canada

This equipment complies with FCC/IC radiation exposure limits set forth for an uncontrolled environment and meets the FCC radio frequency (RF) Exposure Guidelines in Supplement C to OETB5 and RSS-102 of the IC radio frequency (RF) Exposure rules. This equipment has very low levels of RF energy that are deemed to comply without testing of specific absorption ratio (SAR).

This device complies with Part 15 of FCC Rules and Industry Canada licence-exempt RSS standard(s). Operation is subject to the following two conditions: (1) this device may not cause interference, and (2) this device must accept any interference, including interference that may cause undesired operation of this device.

Trade Name: **Nikon**
Model: WU-1a, Model: WU-1b
FCC ID: CG2148EA
IC: 4634A-2148EA

FCC CAUTION
Changes or modifications not expressly approved by the party responsible for compliance could void the user's authority to operate the equipment.

Co-location
This transmitter must not be co-located or operated in conjunction with any other antenna or transmitter.

Nikon Inc.,
1300 Walt Whitman Road, Melville, New York
11747-3064, U.S.A. Tel: 631-547-4200

On the Use of Wireless Functions

Pacemakers, hearing aids, and other medical devices can be affected by radio interference from the product, as can aircraft navigational equipment. Users with implantable cardiac pacemakers should remain at least 30 cm from the product. Turn the product off in trains and other crowded places, and either turn the product off or disable all wireless transmissions in the vicinity of medical devices, when in medical institutions and other locations in which wireless devices are prohibited, or when so instructed by airline personnel. Contact the airline for more information on using wireless devices on aircraft. If use of the wireless features of this product causes radio interference, disable the wireless features or turn the product off. Failure to observe this precaution could result in accidents or product malfunction.

Security

Although one of the benefits of this product is that it allows others to freely connect for the wireless exchange of data anywhere within its range, the following may occur if security is not enabled:

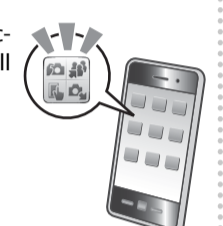
- **Data theft:** Malicious third-parties may intercept wireless transmissions to steal user IDs, passwords, and other personal information.
- **Unauthorized access:** Unauthorized users may gain access to the network and alter data or perform other malicious actions. Note that due the design of wireless networks, specialized attacks may allow unauthorized access even when security is enabled.

Using the Wireless Mobile Adapter

Step 1: Install the app to your smart device.

1 Find the app.
On your smart device, open Google Play and search for "Wireless Mobile Adapter Utility".

2 Install the app.
Follow the on-screen instructions to download and install the app.



Step 2: Access the camera from your smart device.

1 Insert the wireless mobile adapter.
Insert the adapter into your camera (Figure 1) and turn the camera on.

The Supplied Strap and Case
Use these accessories as shown in Figure 2 to prevent the adapter being lost or dropped.

2 Ready the smart device.
On the smart device, open Wi-Fi settings and select **WPS button connection** to ready the device for a WPS button connection.

3 Press the WPS button for about 5 seconds.
Hold down the WPS button on the wireless mobile adapter until the LED flashes red and green.

4 Start the Wireless Mobile Adapter Utility app.
When a connection is established, the LED will glow green and the main dialog for the Wireless Mobile Adapter Utility will be displayed on the smart device.

You can now access the camera from the smart device. For more information, consult the documentation for Wireless Mobile Adapter Utility.

Step 3: Deactivate the adapter.
To end wireless transmission, turn the camera off and disconnect the adapter.

WPS
WPS (Wi-Fi Protected Setup) is a standard designed to make it easy to establish a secure wireless network. For information on the steps involved and the length of time the smart device will wait for a connection, see the documentation supplied with the smart device.

Connection Status
The status of the connection between the camera and the wireless mobile adapter is shown by the adapter LED:

LED	Status
○ On (green)	Connected
⚡ Flashes green once every 2 s	Ready to connect
⚡ Flashes green rapidly (rate varies with connection speed)	Transmitting
⚡ Slow green flash once every 5 s	Adapter in sleep mode
⚡ Flashes red once every 0.5 s	Connection error

Sleep Mode
To reactivate the adapter after it has entered sleep mode, press the WPS button.

Restoring Default Settings
To restore default settings, keep the WPS button pressed for over 10 seconds and then press the button again when the LED flashes orange. The LED will stop flashing, showing that the adapter has been reset.

Manual Wireless Connections

- 1 Display Wi-Fi settings for the smart device.
- 2 Select the mobile adapter SSID (the default SSID begins with "Nikon_WU_"). The LED will light green when a connection is established.

Specifications

Type	WU-1a, WU-1b
Wireless Standards	IEEE 802.11b, IEEE 802.11g
Communication protocols	• IEEE 802.11b DSSS/CCK • IEEE 802.11g OFDM
Operating frequency	2412–2462 MHz (channels 1–11)
Range (line of sight)	Approximately 10–15 m/33–49 ft
Data rate*	54 Mbps
Security	• Authentication: Open system, WPA2-PSK • Encryption: AES
Wireless setup	Supports WPS
Access protocols	Infrastructure
Data transfer protocols	PTP, PTP-IP
Power consumption	Approximately 1.65 W maximum
Operating environment	• Temperature: 0–40°C/32–104°F • Humidity: Less than 85% (no condensation)
Approximate dimensions (W × H × D)	• WU-1a: 18 × 21 × 10 mm/ 0.7 × 0.8 × 0.4 in. • WU-1b: 18 × 23 × 10 mm/ 0.7 × 0.9 × 0.4 in.
Weight	Approximately 3 g/0.1 oz (body only)

*Maximum logical data rates according to IEEE standard. Actual rates may differ.

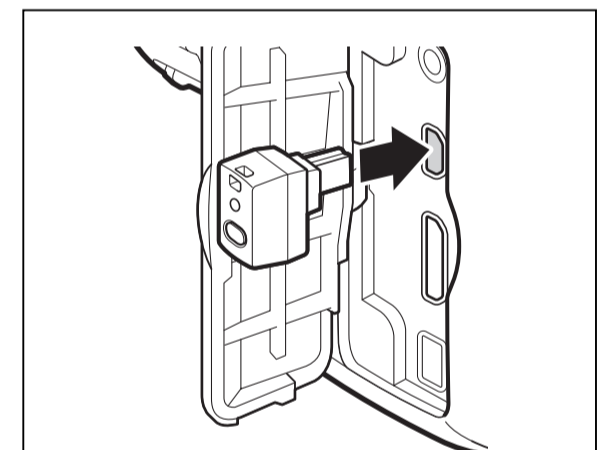


Figure 1: Inserting the adapter (D3200 shown)

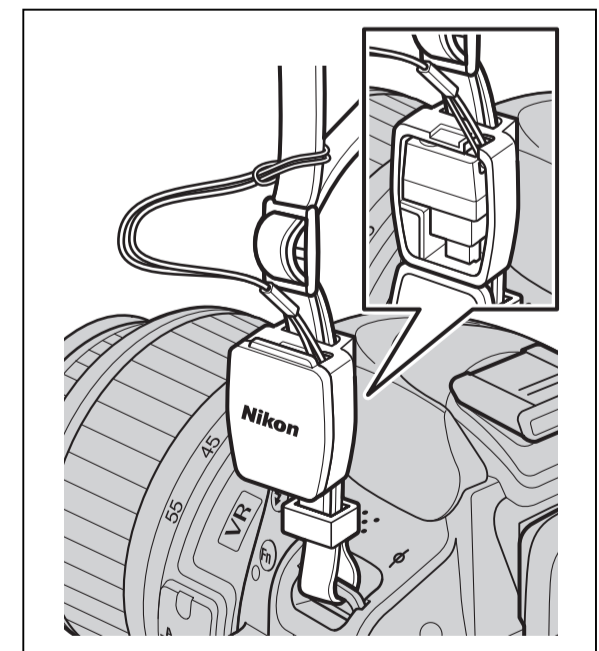


Figure 2: Example of how the strap and case should be attached