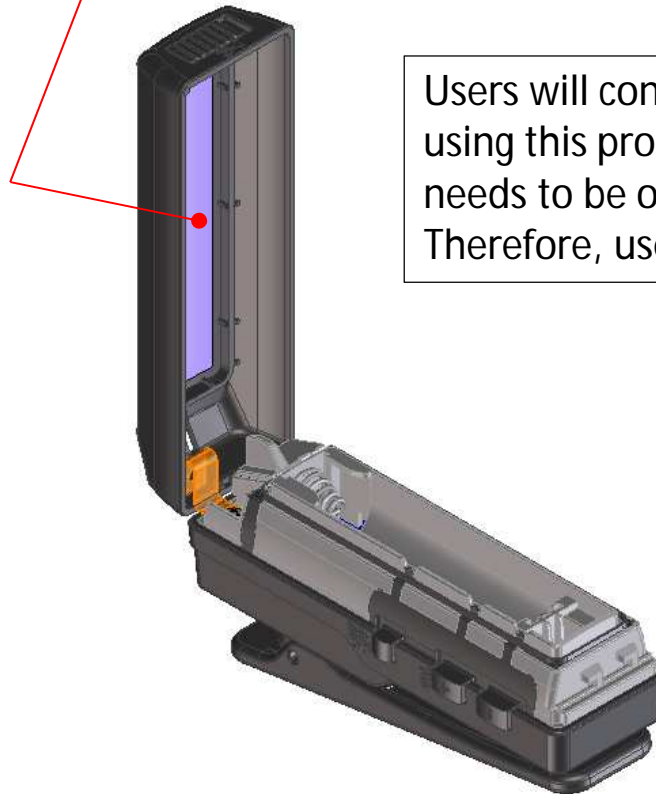


## Label Location Info1

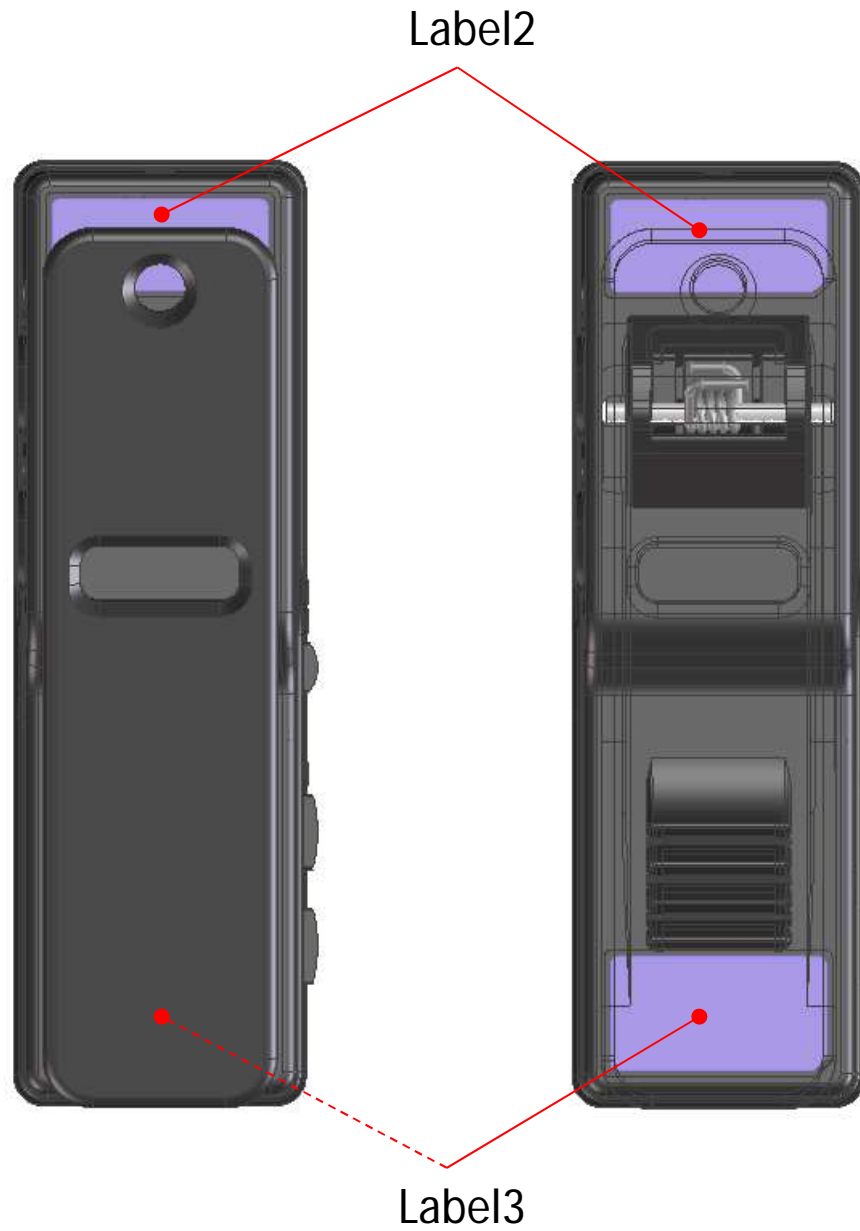


Label1



Users will confirm the FCC ID/IC no. before using this product as the battery cover needs to be opened to set the battery. Therefore, users can access the label easily.

Label Location Info2



# ME-W1 Label Drawing

