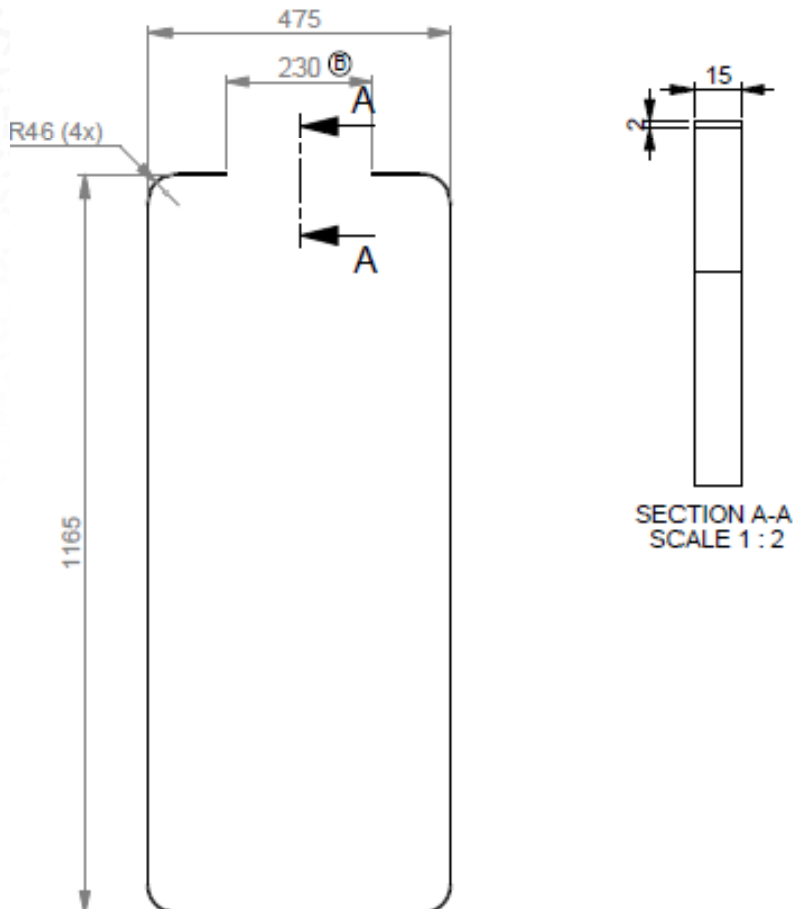


### Antenna information

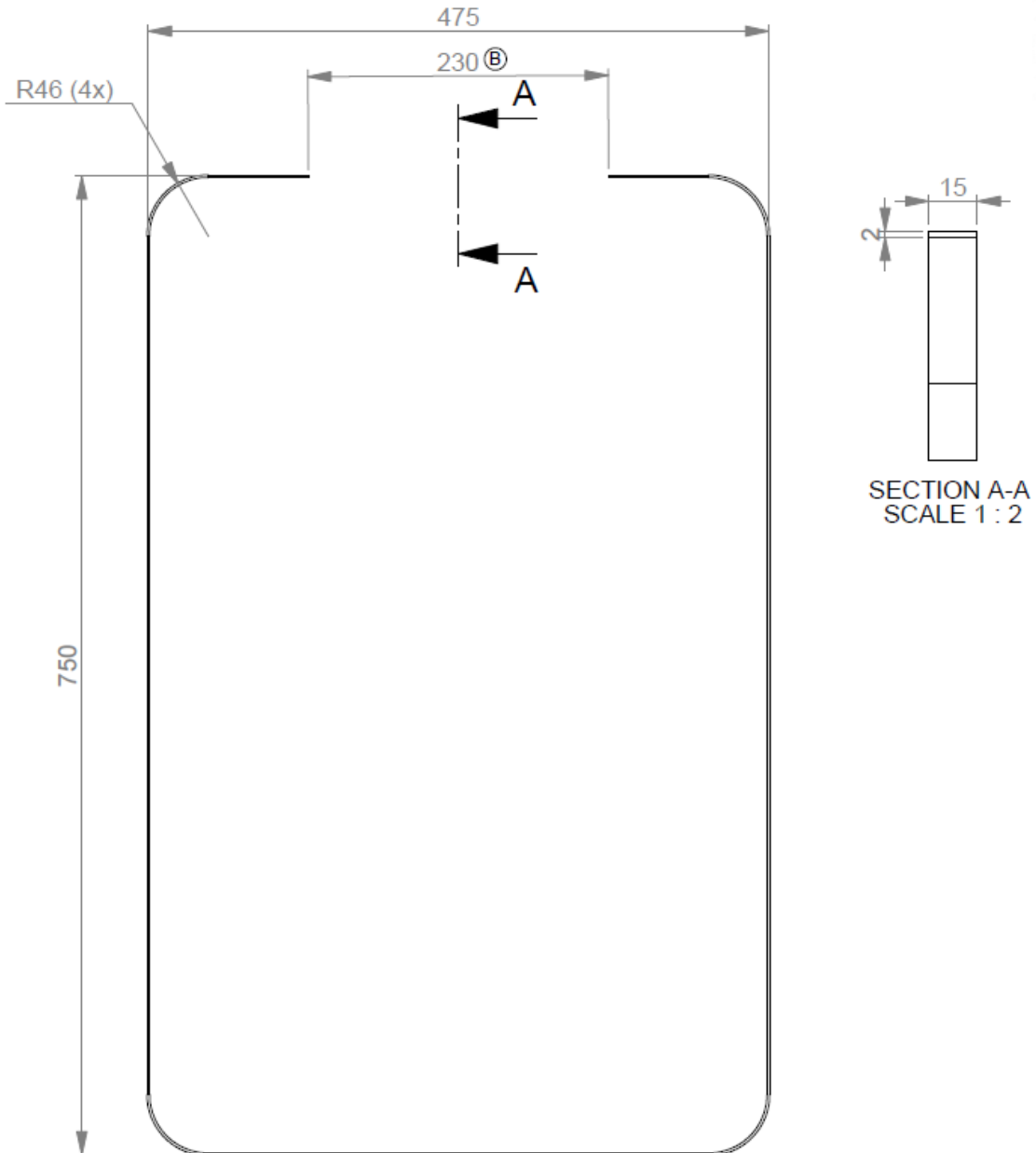
Description : 134.2 kHz Inductive RFID Card Reader  
FCC ID : CGDVP1910  
IC : 1444A-VP1910  
Manufacturer : N.V. Nederlandsche Apparatenfabriek "Nedap"  
Brands : GEA, Boumatic and Nedap  
Models : VP1910 GEA, VP1910 BOUMATIC and VP1910 VELOS  
Antennas : VP6150, VP6151, Walk Through Loop Antenna and Walk Over Loop Antenna

1. VP1650 Antenna  
Type : Inductive O-Antenna  
Material : Copper strip  
Number of turns : 1  
Wire thickness : 2 mm  
Width : 15 mm  
Dimensions : 475 x 750 mm  
See the diagram below



## 2. VP1651 Antenna

Type : Inductive O-Antenna  
Material : Copper strip  
Number of turns : 1  
Wire thickness : 2 mm  
Width : 15 mm  
Dimensions : 475 x 750 mm  
See the diagram below.



N.V. Nederlandsche Apparatenfabriek "Nedap"  
Parallelweg 2  
NL-7141 DC Groenlo  
P.O. Box 6  
NL-7140 AC Groenlo

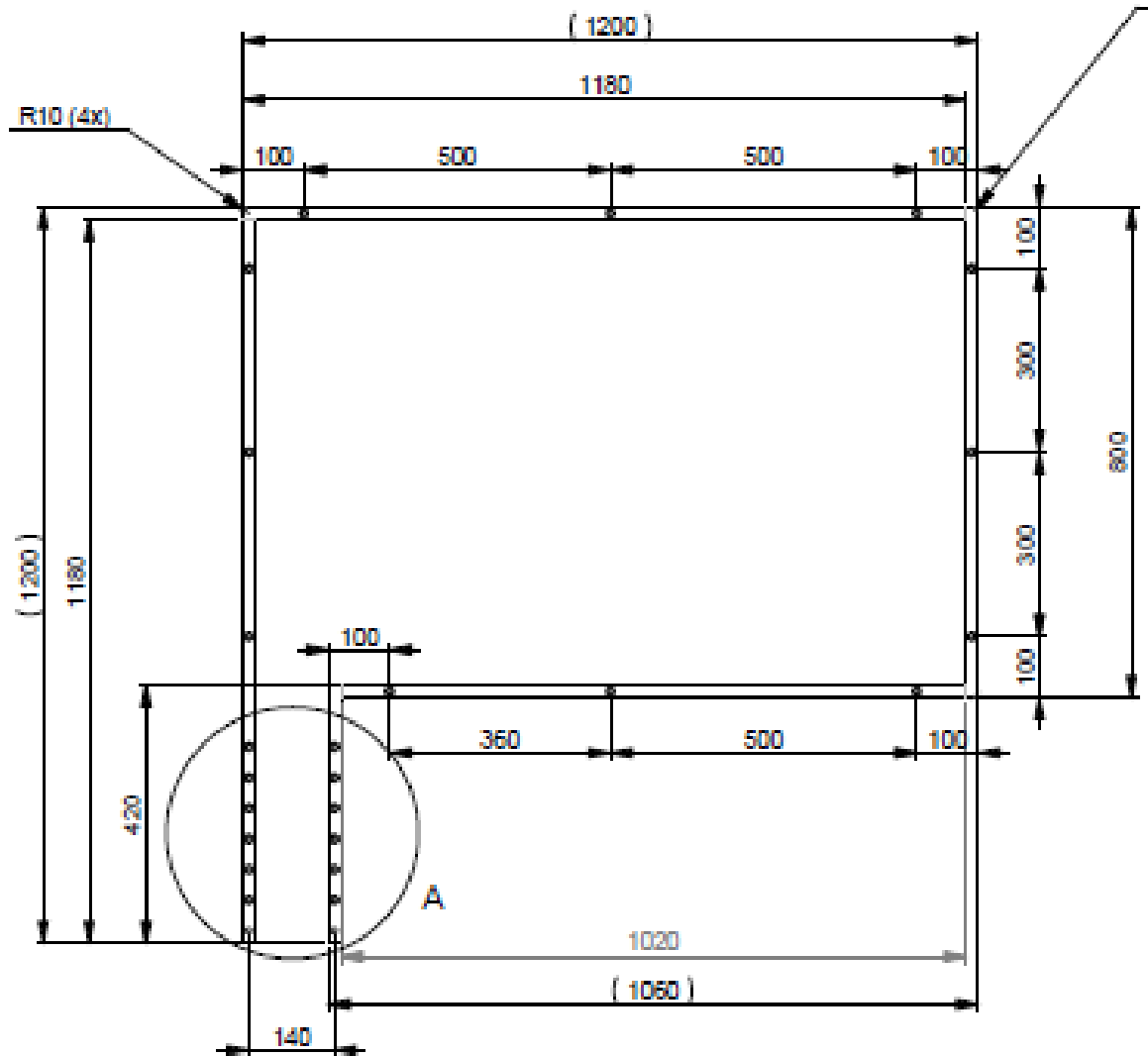
T +31 (0)544 471 111  
F +31 (0) 544 463 475  
E [info@nedap.com](mailto:info@nedap.com)  
[www.nedap.com](http://www.nedap.com)

Traderegister 08013836  
ABN-AMRO 59.16.32.330  
IBAN NL83ABNA0591632330  
BIC ABNANL2A  
VAT NL006456285B01

3. External Floor Antenna

Type : Inductive O-Antenna  
Material : Steel  
Number of turns : 1  
Material dimension : 20 x 5 mm  
Dimensions : 1200 x 800 mm

See the diagram below

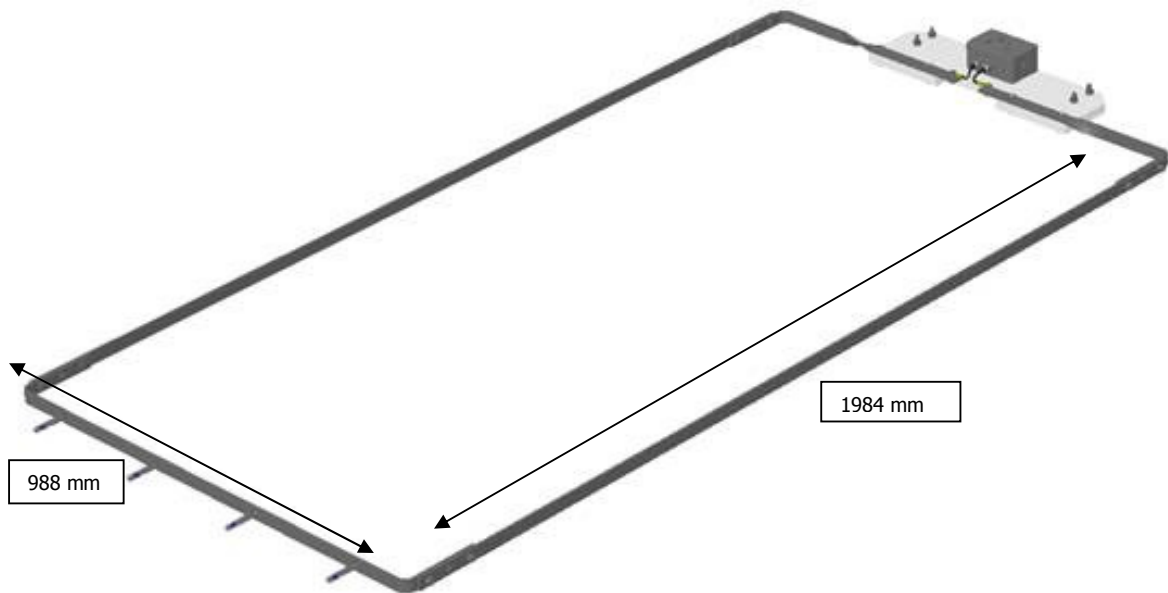


N.V. Nederlandsche Apparatenfabriek "Nedap"  
Parallelweg 2  
NL-7141 DC Groenlo  
P.O. Box 6  
NL-7140 AC Groenlo

T +31 (0)544 471 111  
F +31 (0) 544 463 475  
E [info@nedap.com](mailto:info@nedap.com)  
[www.nedap.com](http://www.nedap.com)

Traderegister 08013836  
ABN-AMRO 59.16.32.330  
IBAN NL83ABNA0591632330  
BIC ABNANL2A  
VAT NL006456285B01

4. External Walk Through Antenna  
Type : Inductive O-Antenna  
Material : Steel  
Number of turns : 1  
Material dimension : 25 x 6 mm  
Dimensions : 1948 x 988 mm



Jacques Hulshof



N.V. Nederlandsche Apparatenfabriek "Nedap"  
Parallelweg 2  
NL-7141 DC Groenlo  
P.O. Box 6  
NL-7140 AC Groenlo

T +31 (0)544 471 111  
F +31 (0) 544 463 475  
E [info@nedap.com](mailto:info@nedap.com)  
[www.nedap.com](http://www.nedap.com)

Traderegister 08013836  
ABN-AMRO 59.16.32.330  
IBAN NL83ABNA0591632330  
BIC ABNANL2A  
VAT NL006456285B01