

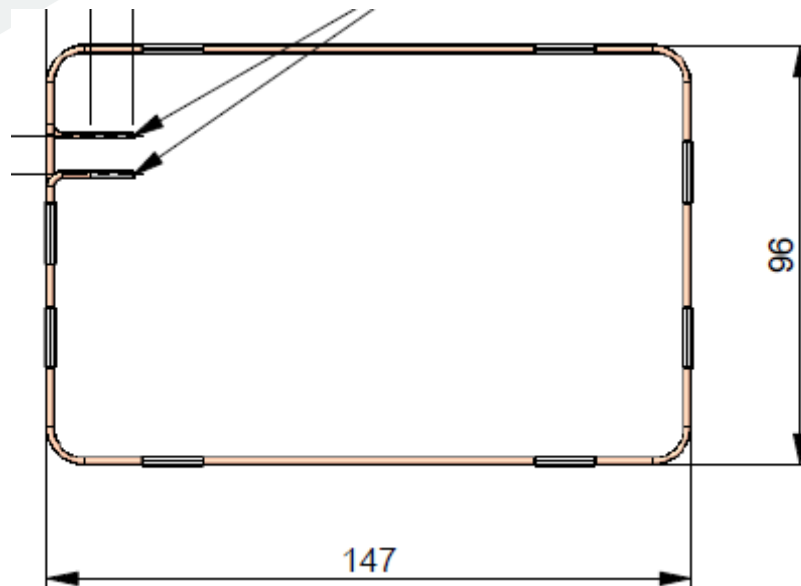
Groenlo, 03 January 2012

Antenna information

Description : 134.2 kHz Inductive RFID Card Reader with integral antenna
FCC ID : CGDVP1104
IC : 1444A-VP1104
Manufacturer : N.V. Nederlandsche Apparatenfabriek "Nedap"
Brand : LELY
Model : VP1104 LELY

Antenna
Type : Inductive O-Antenna
Material : Copper Wire
Number of turns : 5
Wire thickness : H-F Litze wire 120x 0.1 mm
Dimensions : 96x147 mm

See the diagram below.



Jacques Hulshof

N.V. Nederlandse
Apparatenfabriek "Nedap"
Parallelweg 2
NL-7141 DC Groenlo
P.O. Box 6
NL-7140 AA Groenlo

T +31 (0)544 47 11 11
F +31 (0)544 46 34 75
E info@nedap.com
Handelsregister 08013836

www.nedap.com