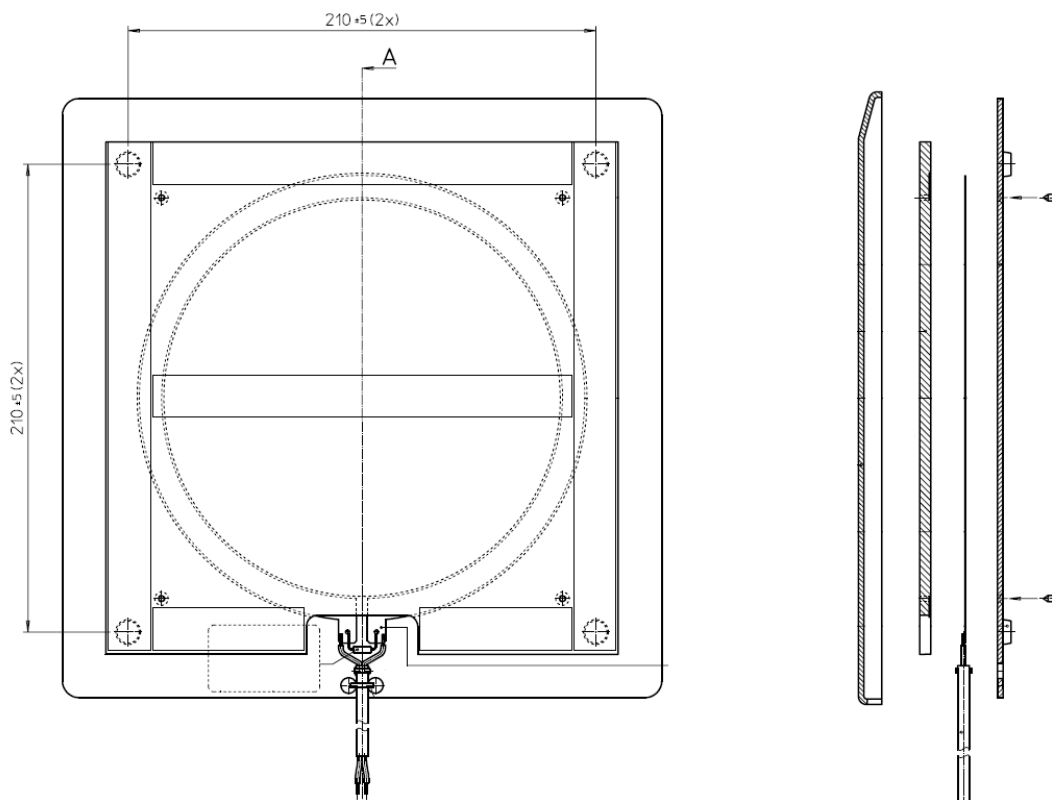


Groenlo, 15 February 2012

### Antenna Information

Description : 13.56 MHz Inductive Proximity RFID Card Reader  
FCC ID/IC : CGDUPRO1356/1444A-UPRO1356  
Antenna : Inductive loop antenna  
Manufacturer : N.V. Nederlandsche Apparatenfabriek "Nedap"  
Brand : Nedap  
Model : READER PROX UNSHIELDED

The antenna is an out of copper perforated round coil with one loop, 0.5 mm thickness.



**N.V. Nederlandsche Apparatenfabriek "Nedap"**  
Parallelweg 2  
NL-7141 DC Groenlo  
P.O. Box 6  
NL-7140 AC Groenlo

T +31 (0)544 471 111  
F +31 (0) 544 463 475  
E [info@nedap.com](mailto:info@nedap.com)  
[www.nedap.com](http://www.nedap.com)

Traderegister 08013836  
ABN-AMRO 59.16.32.330  
IBAN NL83ABNA0591632330  
BIC ABNANL2A  
VAT NL006456285B01