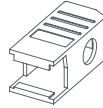


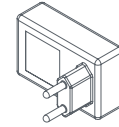
1x | smart deactivator



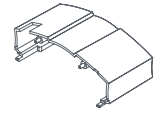
1x | 4-pole antenna connector



1x | connector housing



1x | power supply
(incl. adapters EU, UK, CN, US)



1x | cover

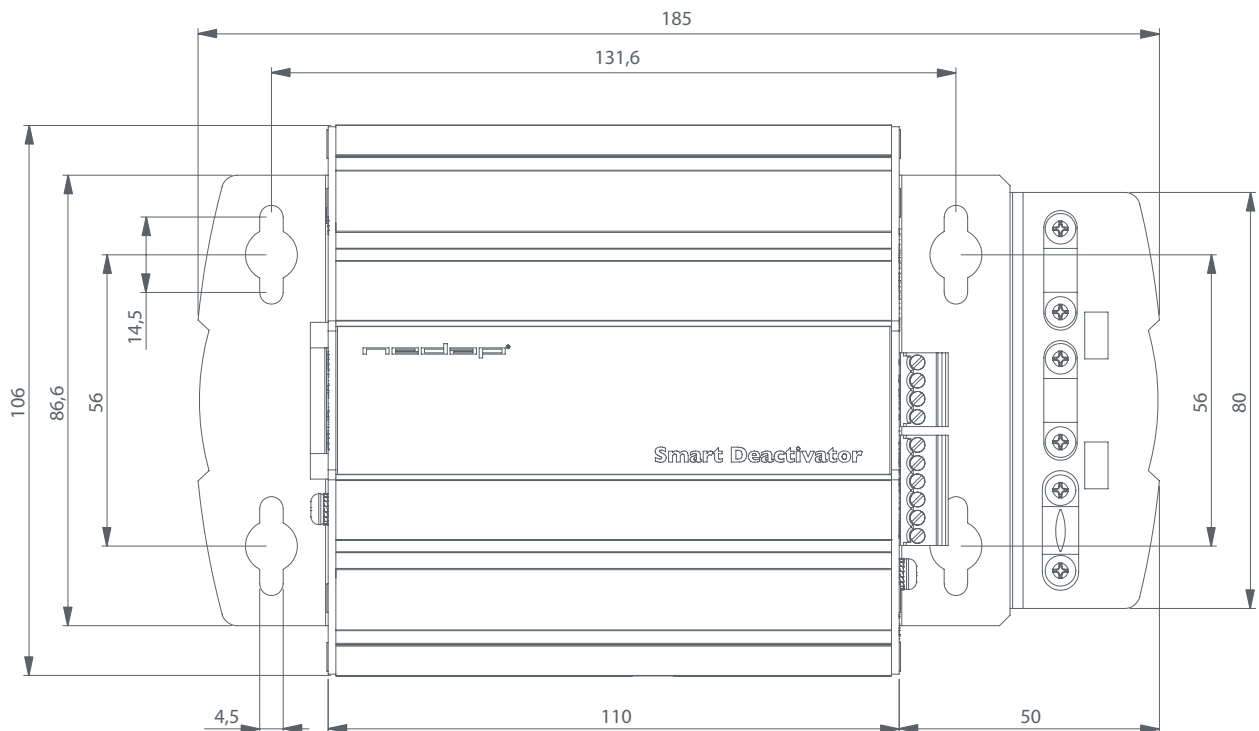
Intended use

The Smart Deactivator model: SMART DEACT is an Electronic Article Surveillance (EAS) system intended to be used in stores at check-out counters for deactivating 8.2MHz anti-theft alarm tags.

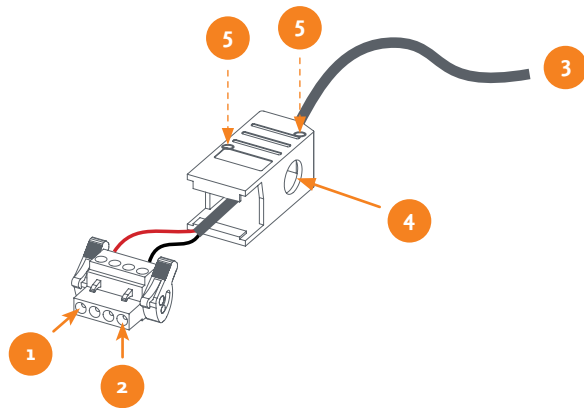
⚠ Warning

This equipment should be installed, operated, serviced, and repaired by skilled personnel only. The installation and interconnection of this equipment to facility wiring and other equipment must be done by a competent, skilled craftsman who is familiar with applicable standards and codes governing the installation. Installation methods, practices or procedures that are unauthorized or done improperly are dangerous and could result in serious personal injury or damage to property and equipment.

dimensions

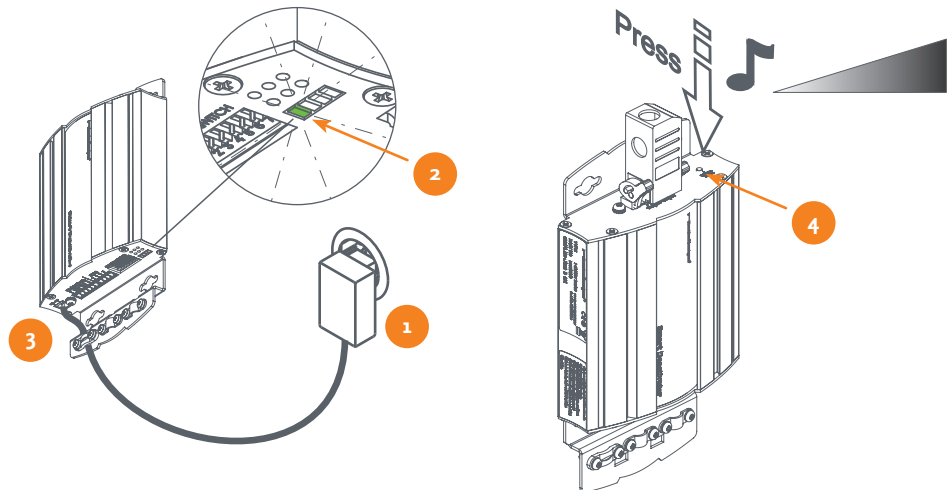


connect deactivator antenna cable to antenna connector



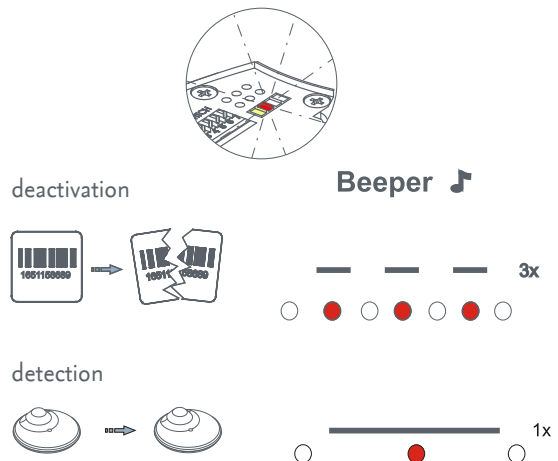
- 1 Antenna wire red
- 2 Antenna wire black
- 3 To deactivator antenna
- 4 Fix cable with tie-wrap
- 5 Screw (2x)

connect to power 100-240V



- 1 Power supply
- 2 Lamp green on
- 3 2-pole Connector from power supply
- 4 Volume button

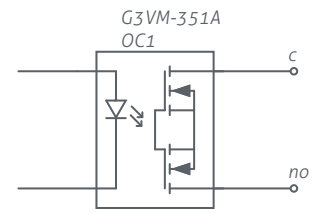
beeper sound (standard sound)



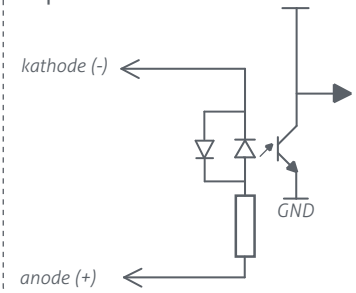
connector explanation

GND	Power connector Ground	Voltage ripple <125mV
+12V	Power connector +12VDC	
LED +	Led output connector +	The led will flash 3x at deactivation
LED -	Led output connector -	and once on detection.
Out C	Output Common	Solid state output (max 120mA)
Out NO	Normal open	
Inp A	Input anode	0 - 12V
Inp K	Input Kathode	High signal, input >2V
+12V	+	It is possible, by using a special
RS485 A	RS485 connector A	RS485 converter and software, to
RS485 B	RS485 connector B	adjust some settings.
GND	-	

solid state output



Input



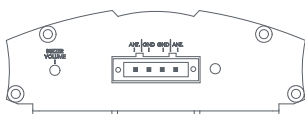
program switch settings

1		Standard mode	Led Yellow Led Orange	 	Low after deactivation High at input signal
2		Line Termination RS485			
3*		Detect only mode	Led yellow Led orange	 	Low after detection Flash
4		Output after 10 seconds of detection	Led yellow Led orange	 	High after 10 seconds detection Not used
5*		Forced deactivation, for 90 seconds after input signal	Led yellow Led orange	 	High after 10 seconds detection High during deactivation
6		Input used as switch for buzzer volume	Led yellow Led orange	 	Low after deactivation High at input signal
7		Counting output inverted - Standard mode	Led yellow Led orange	 	High pulse after deactivation Not used
8*		Detect only - Output inverted	Led yellow Led orange	 	High pulse after detection Flash
9*		Deactivation only if input is high	Led yellow Led orange	 	High pulse after detection High during deactivation
10		High = Low sensitivity Low = Standard sensitivity			
11		Remote operation address 1			DLL mode - Transaction Controlling 4 = high address 2 4 = low address 1 (standard)
12		Remote operation address 2 Version: > V7.5			
13		Forced deactivation, for 90 seconds after input signal Output after 1 deactivation burst and still detection.	Led yellow Led orange	 	High after detection High during deactivation
14		Forced deactivation, for 90 seconds after input signal Output after 2 deactivation bursts and still detection.	Led yellow Led orange	 	High after detection High during deactivation
15		Forced deactivation, for 90 seconds after input signal Output after 3 deactivation bursts and still detection.	Led yellow Led orange	 	High after detection High during deactivation

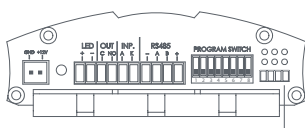
* In detect only mode, due to the RF detection field, we cannot guarantee labels will never deactivate.

connectors from smart deactivator

Antenna connector side



Connector side



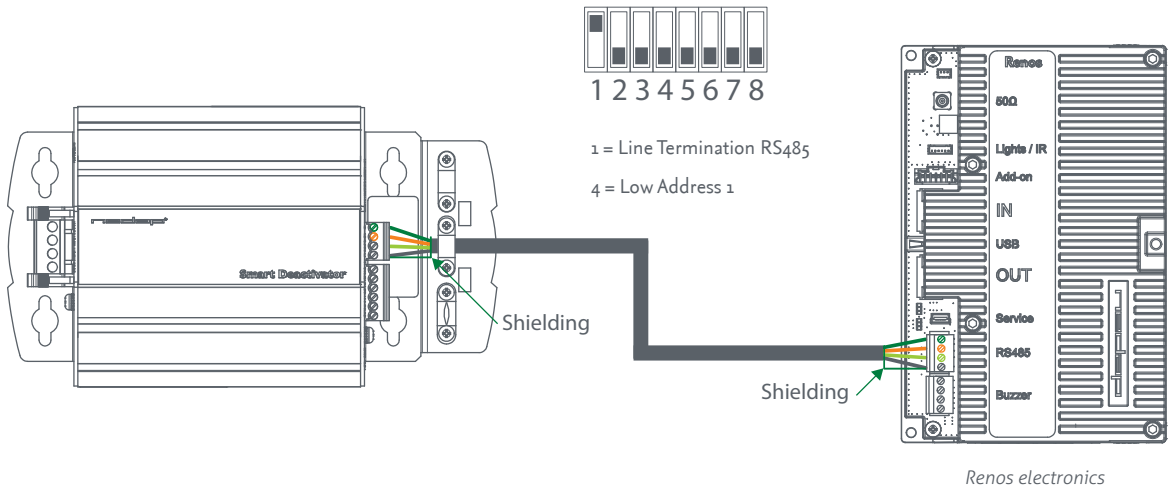
Status LEDs

- Green = Power
- Red = Label detected – 1 flash (Standard mode)
Label deactivated – 3 flashes (Standard mode)
- Yellow = Output LED
- Orange = Status LED

Depending on dipswitch settings, LED behaviour can be different. (See settings below)

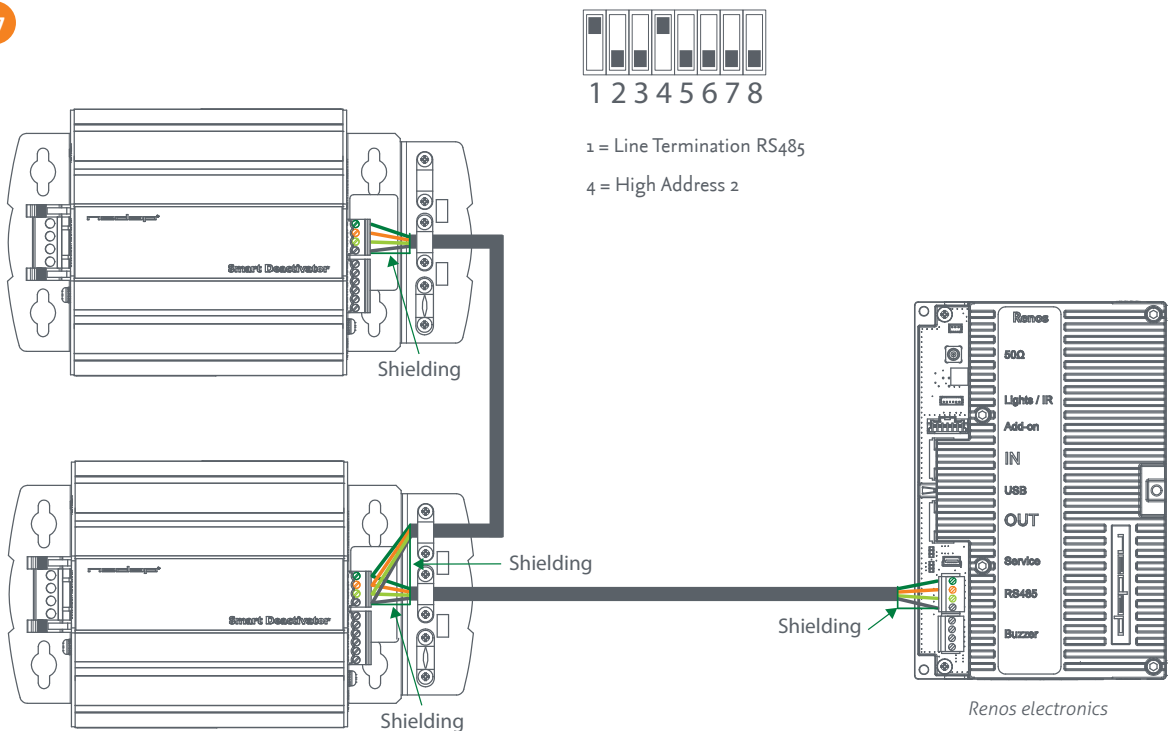
settings only for use with iSense (Version: > V7.6)

16



RENOS RS485		SMART DEACTIVATOR RS485
+12V	→	+
A	→	B
B	→	A
GND	→	-

17



Use shielded four-wire cable (e.g. Unitronic LiYCY 4x0,25 for a maximum length of 25m, or LiYCY 4x0,50 for maximum length of 50m)

Disclaimer

Nedap intends to make this manual accurate and complete. However, Nedap does not warrant that the information contained herein covers all details, conditions or variations, nor does it provide for every possible contingency in connection with the installation or use of this product. Nedap disclaims any liability for damage to property or personal injury resulting, in whole or in part, from improper installation, modification, use or misuse of its products. The information contained in this document is subject to change without notice.

FCC and ISED Compliance statement

This device complies with part 15 of the FCC Rules and this device contains licence-exempt transmitter(s)/receiver(s) that comply with Innovation, Science and Economic Development Canada's licence-exempt RSS(s). Operation is subject to the following two conditions:

- (1) this device may not cause harmful interference, and
- (2) this device must accept any interference received, including interference that may cause undesired operation.

Changes or modifications not expressly approved by the party responsible for compliance could void the user's authority to operate the equipment.

Cet appareil contient des émetteurs / récepteurs exempt (s) de licence qui sont conformes aux RSS(s) exemptes de licence d'Innovation, Sciences et Développement économique Canada. L'opération est soumise aux deux conditions suivantes:

- (1) cet appareil ne doit causer aucune interférence, et
- (2) cet appareil doit accepter n'importe quelle interférence, y compris l'interférence qui peut causer une opération non pas voulu de cet appareil. Les changements ou modifications n'ayant pas été expressément approuvés par la partie responsable de la conformité peuvent faire perdre à l'utilisateur l'autorisation de faire fonctionner le matériel.

FCC and IC Radiation Exposure Statement

This equipment complies with FCC and Canadian radiation exposure limits set forth for an uncontrolled environment. This transmitter must not be co-located or operating in conjunction with any other antenna or transmitter.

Cet équipement est conforme à CNR-102 limites énoncées pour un environnement non contrôlé.

This Class B digital apparatus complies with Canadian ICES-003.

Cet appareil numérique de Classe B est conforme à la norme Canadienne ICES-003.

FCC Information to the user

Note: This equipment has been tested and found to comply with the limits for a class B digital devices, pursuant to part 15 of the FCC Rules. These limits are designed to provide reasonable protection against harmful interference in a residential installation. This equipment generates, uses and can radiate radio frequency energy and, if not installed and used in accordance with the instructions, may cause harmful interference to radio communications. However, there is no guarantee that interference will not occur in a particular installation. If this equipment does not cause harmful interference to radio or television reception, which can be determined by turning the equipment off and on, the user is encouraged to try to correct the interference by one or more of the following measures: Reorient or relocate the receiving antenna. Increase the separation between the equipment and receiver. Connect the equipment into an outlet on a circuit different from that to which the receiver.

NOTE: Any changes or modifications not expressly approved by the party responsible for compliance could void the user's authority to operate the equipment. To ensure compliance with FCC regulations, use only the shielded interface cables provided with the product, or additional specified components or accessories that can be used with the installation of the product.

FCC ID: CGDSMART DEACT

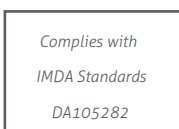
IC:1444A-SMARTDEACT

CE Declaration of Conformity

Hereby, Nedap N.V. declares that the radio equipment model SMART DEACT is in compliance with Directive 2014/53/EU. The full text of the EU declaration of conformity is available at the following internet address: <https://portal.nedapretail.com/>

Este producto tiene certificado de homologación IFT número: RCPNESH19-0026

Singapore Compliance



Disposal of this product



The owner or last user of this product is responsible for proper disposal of (parts of) the product as required by local rules and regulations.

User manual

The complete instruction manual can be found at <https://portal.nedapretail.com/>

ISED Information to the user

This radio transmitter [1444A-SMARTDEACT] has been approved by Innovation, Science and Economic Development Canada to operate with the antenna types listed below, with the maximum permissible gain indicated. Antenna types not included in this list that have a gain greater than the maximum gain indicated for any type listed are strictly prohibited for use with this device.

Cet émetteur radio [1444A-SMARTDEACT] a été approuvé par Innovation, Sciences et Développement économique Canada pour fonctionner avec les types d'antenne énumérés ci-dessous, avec le gain maximal autorisé indiqué. Les types d'antenne non inclus dans cette liste qui ont un gain supérieur au gain maximum indiqué pour tout type répertorié sont strictement interdits pour l'utilisation avec cet appareil.

The following antenna models can be installed/connected to the Smart Deactivator.

1. SDA-265x265
2. DAPL 275x275
3. MG9800I
4. NCR7878-5000
5. HN24-000002

Specifications

Power Supply	100-240Vac Power adapter, 0.6-0.3A, 50-60Hz 12Vdc, 2A, 24W max.
Dimensions	185mm x 106mm x 37mm
Weight	800gr
Output Power (8.2MHz)	Max 9 dBµA/m @ 10m
Frequency Band (8.2MHz)	7.4 – 8.8MHz
Modulation	Frequency Sweep
Antenna type	Inductive loop

