

Photo report exterior

Anti-Pilferage System for deactivation of disposable tags
Brand: Nedap
Model: SMART DEACT

Author	RH
Date	18 June 2020
Status	final

Nedap N.V.
Parallelweg 2
7141 DC Groenlo
The Netherlands

Description of EUT

Description of EUT	Anti-Pilferage System for deactivation of disposable tags
Manufacturer	Nedap N.V.
Brand	Nedap
Model	SMART DEACT

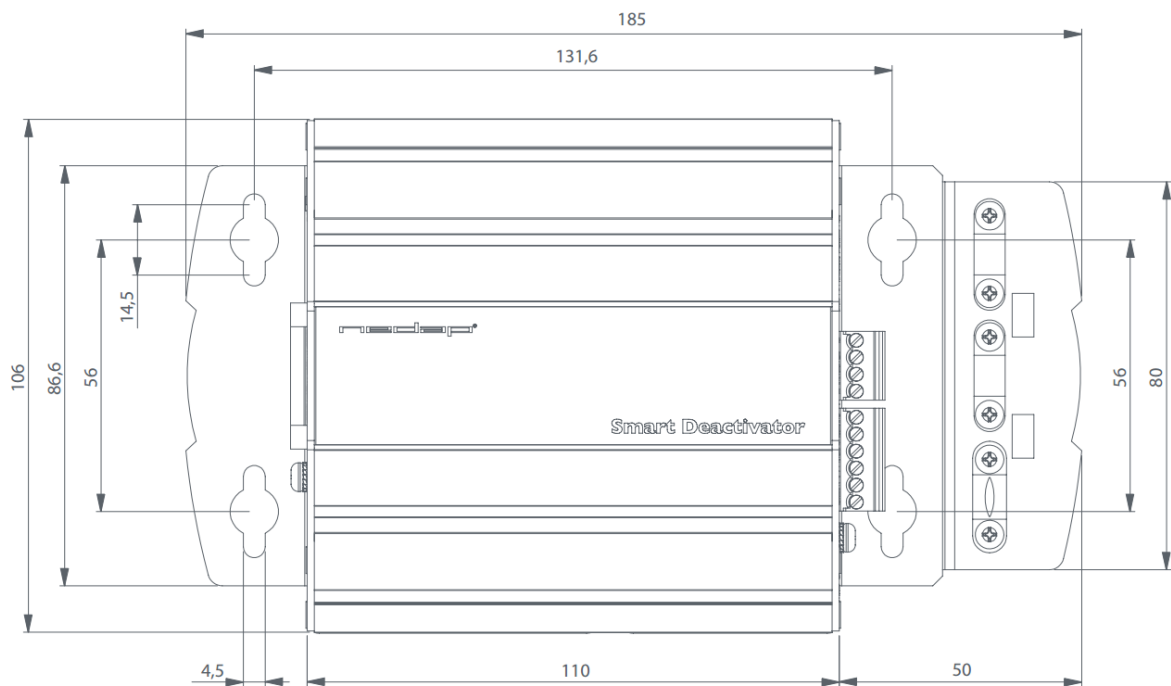
Applicant Information

Company	Nedap N.V.
Address	Parallelweg 2
Postal code	7141 DC
City	Groenlo
PO Box	6
Postal code	7140 AA
City	Groenlo
Country	The Netherlands
Telephone number	+31 (0) 544 471111
Telefax number	+31 (0) 544 463475

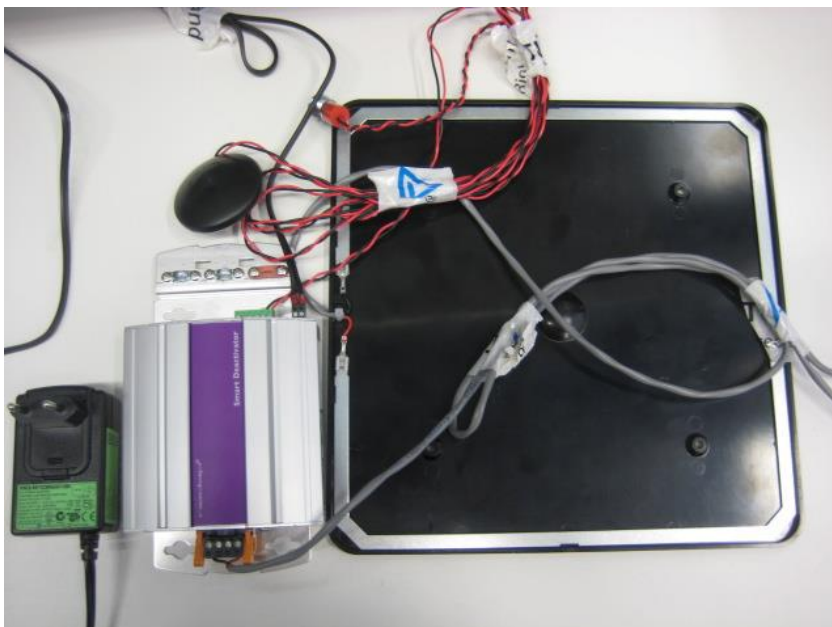
0. CONTENTS

1. Overview with dimensions _____	4
1.1. Overview with power adapter and antenna _____	4
2. Detail photographs _____	5
2.1. Top view _____	5
2.2. Front view _____	5
2.3. Left side view _____	6
2.4. Back side view _____	6
2.5. Right side view _____	7
2.6. Bottom view _____	7

1. Overview with dimensions



1.1. Overview with power adapter and antenna



2. Detail photographs

2.1. Top view



2.2. Front view



2.3. Left side view



2.4. Back side view



2.5. Right side view



2.6. Bottom view

