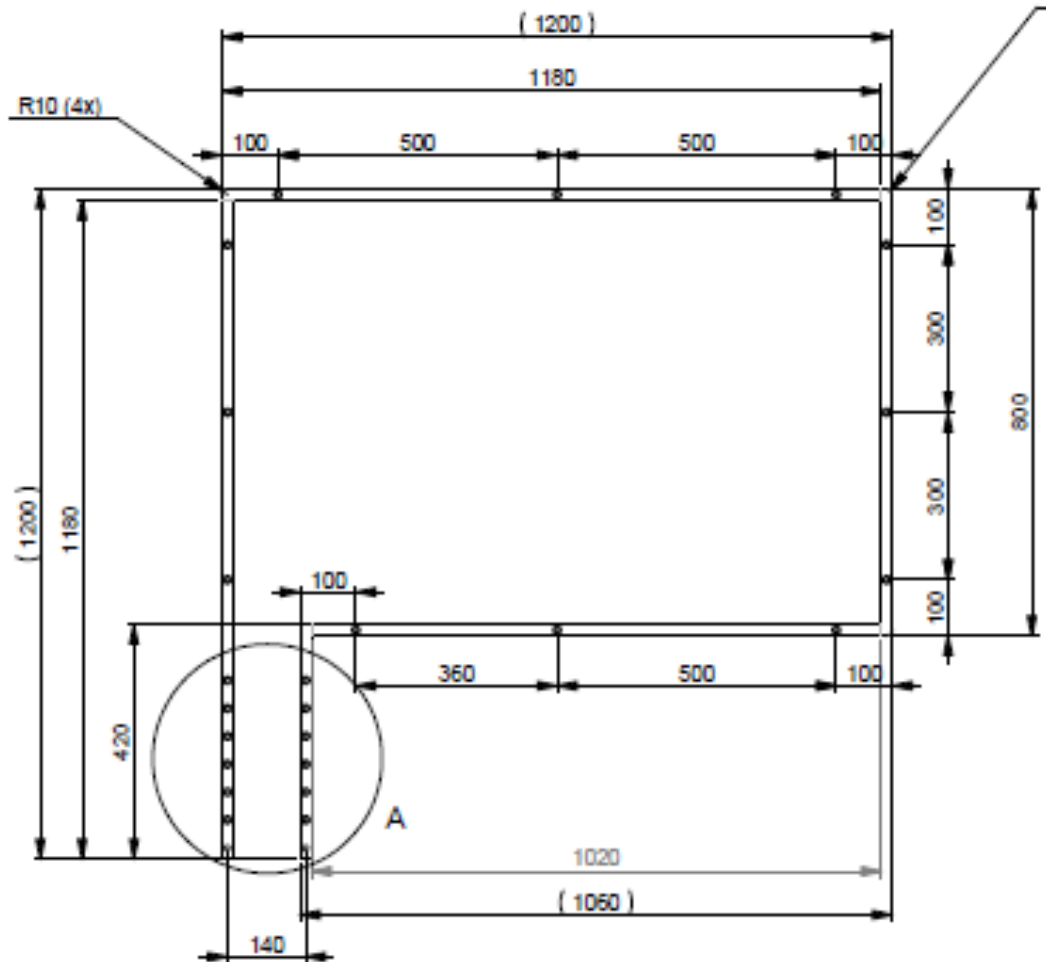


Groenlo, 26 April 2012

### Antenna information

Description : 134.2 kHz Inductive RFID Card Reader with external antennas  
 FCC ID : CGD-TF2  
 IC : 1444A-TF2  
 Manufacturer : N.V. Nederlandsche Apparatenfabriek "Nedap"  
 Brands : Nedap and GEA  
 Models : VC4 TF2 and VC4 TF2 GEA

- External Floor Antenna see diagram below
  - Type : Inductive O-Antenna
  - Material : Steel
  - Number of turns : 1
  - Material dimension : 20 x 5 mm
  - Dimensions : 1200 x 800 mm

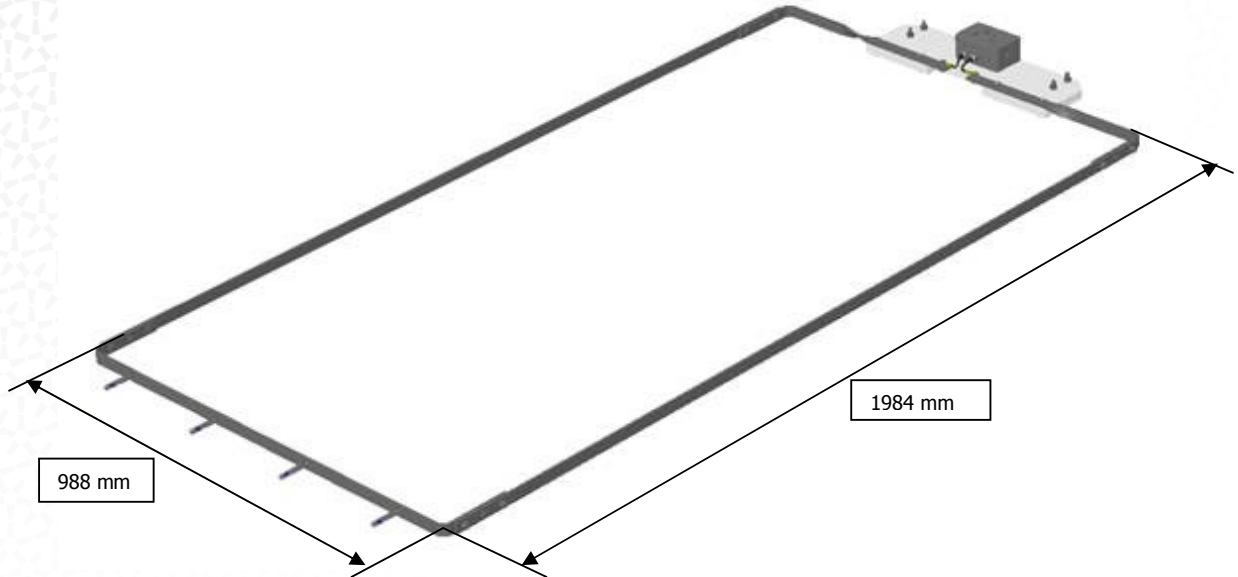


N.V. Nederlandsche Apparatenfabriek "Nedap"  
 Parallelweg 2  
 NL-7141 DC Groenlo  
 P.O. Box 6  
 NL-7140 AC Groenlo

T +31 (0)544 471 111  
 F +31 (0) 544 463 475  
 E [info@nedap.com](mailto:info@nedap.com)  
[www.nedap.com](http://www.nedap.com)

Traderegister 08013836  
 ABN-AMRO 59.16.32.330  
 IBAN NL83ABNA0591632330  
 BIC ABNANL2A  
 VAT NL006456285B01

2. External Walk Through Antenna, see diagram below  
Type : Inductive O-Antenna  
Material : Steel  
Number of turns : 1  
Material dimension : 25 x 6 mm  
Dimensions : 1948 x 988 mm



Jacques Hulshof

