

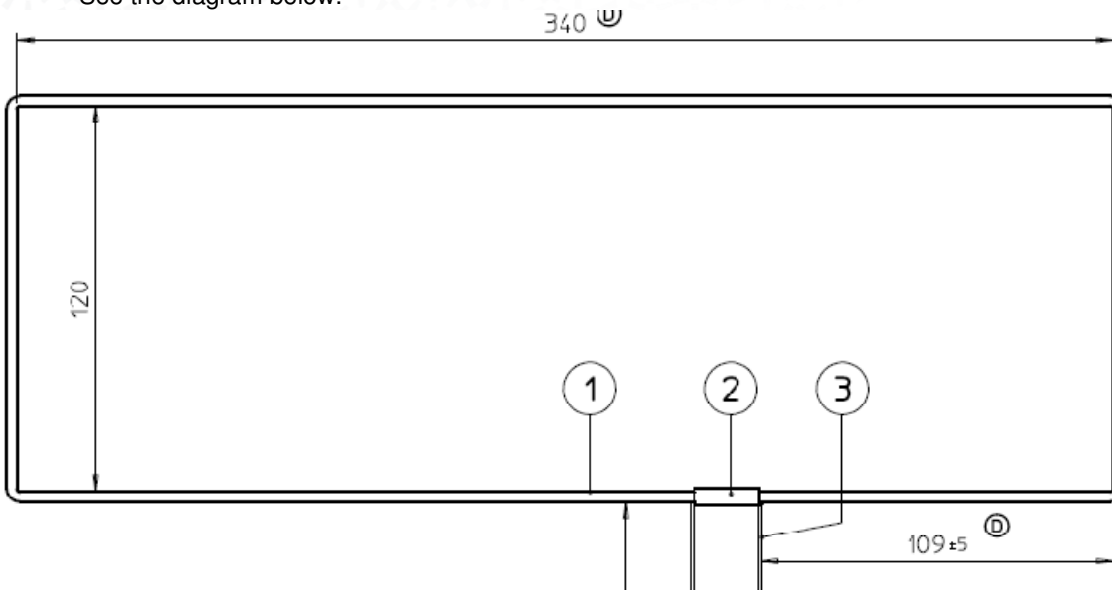
Groenlo, 25 April 2012

### Antenna information

Description : 134.2 kHz Inductive RFID Card Reader with integral and external antennas  
FCC ID : CGD-SF2  
IC : 1444A-SF2  
Manufacturer : N.V. Nederlandsche Apparatenfabriek "Nedap"  
Brands : Nedap and GEA  
Models : VC4 SF2 and VC4 SF2 GEA

1. Integral Antenna
  - Type : Inductive O-Antenna
  - Material : Copper Wire
  - Number of turns : 32
  - Wire thickness : 0.45 mm
  - Dimensions : 340 x 120 mm

See the diagram below.



N.V. Nederlandsche Apparatenfabriek "Nedap"  
Parallelweg 2  
NL-7141 DC Groenlo  
P.O. Box 6  
NL-7140 AC Groenlo

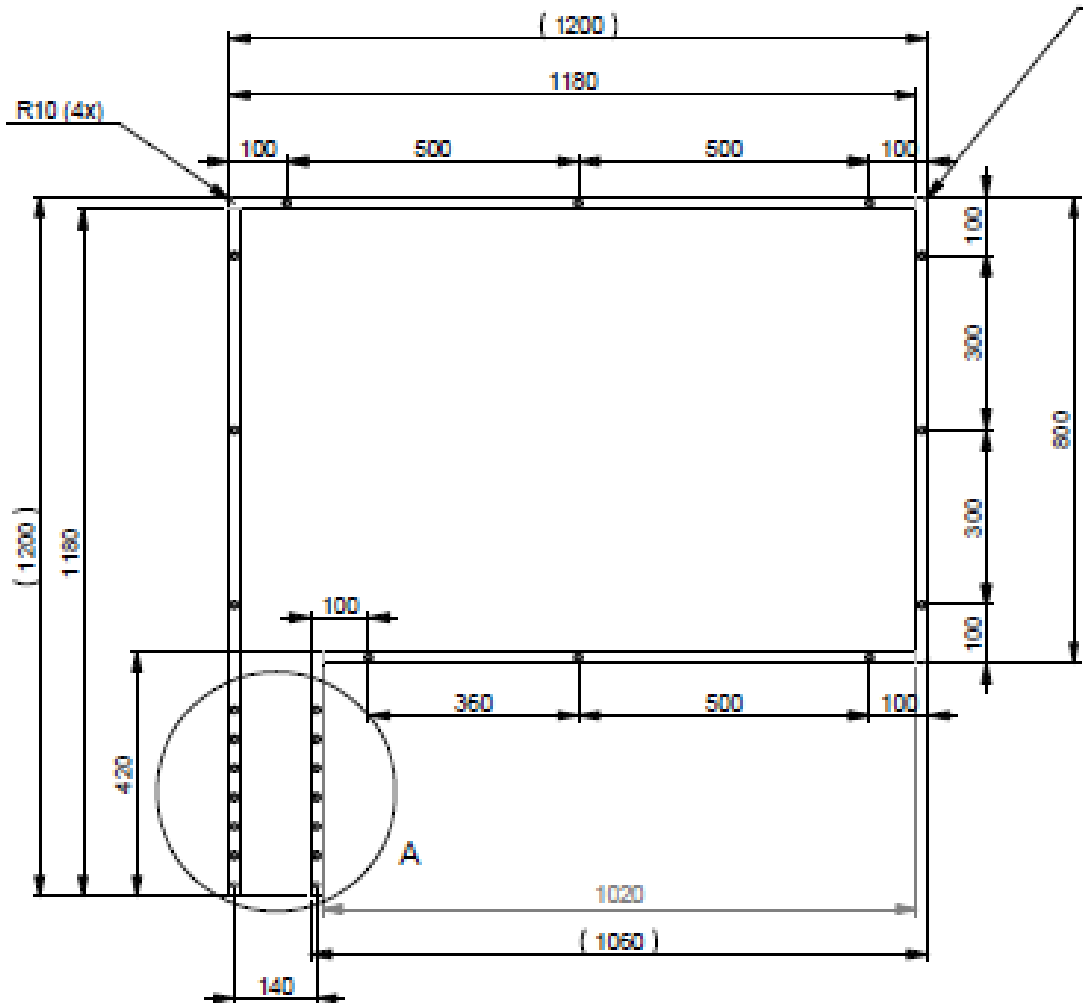
T +31 (0)544 471 111  
F +31 (0) 544 463 475  
E [info@nedap.com](mailto:info@nedap.com)  
[www.nedap.com](http://www.nedap.com)

Traderegister 08013836  
ABN-AMRO 59.16.32.330  
IBAN NL83ABNA0591632330  
BIC ABNANL2A  
VAT NL006456285B01

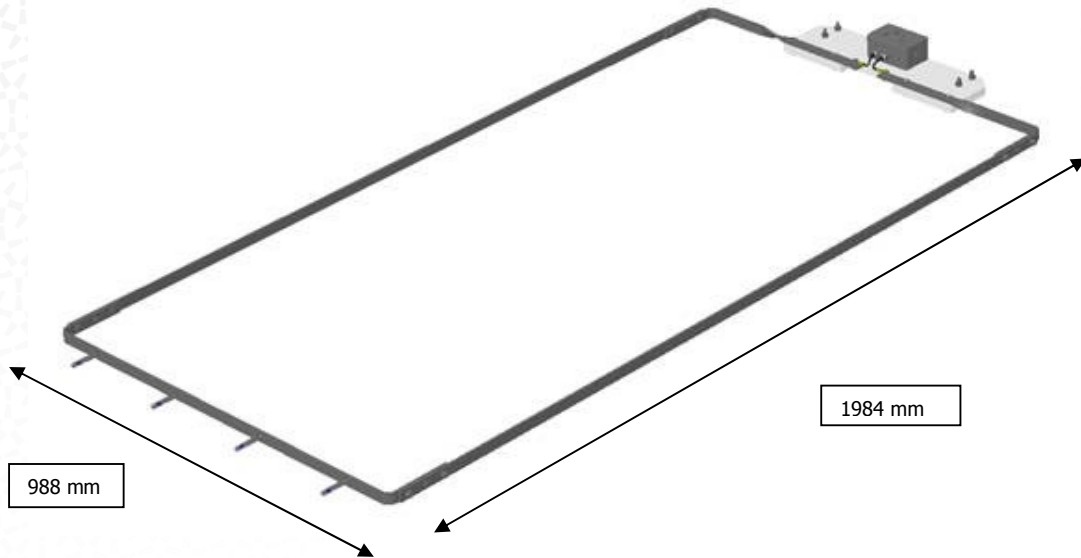
2. External Floor Antenna

Type : Inductive O-Antenna  
 Material : Steel  
 Number of turns : 1  
 Material dimension : 20 x 5 mm  
 Dimensions : 1200 x 800 mm

See the diagram below



3. External Walk Through Antenna  
Type : Inductive O-Antenna  
Material : Steel  
Number of turns : 1  
Material dimension : 25 x 6 mm  
Dimensions : 1948 x 988 mm



Jacques Hulshof



N.V. Nederlandsche Apparatenfabriek "Nedap"  
Parallelweg 2  
NL-7141 DC Groenlo  
P.O. Box 6  
NL-7140 AC Groenlo

T +31 (0)544 471 111  
F +31 (0) 544 463 475  
E [info@nedap.com](mailto:info@nedap.com)  
[www.nedap.com](http://www.nedap.com)

Traderegister 08013836  
ABN-AMRO 59.16.32.330  
IBAN NL83ABNA0591632330  
BIC ABNANL2A  
VAT NL006456285B01