

ASSEMBLIES	LAST USED	DO NOT USE	APPROVALS	DATE
			J. Tejada	02/17/81

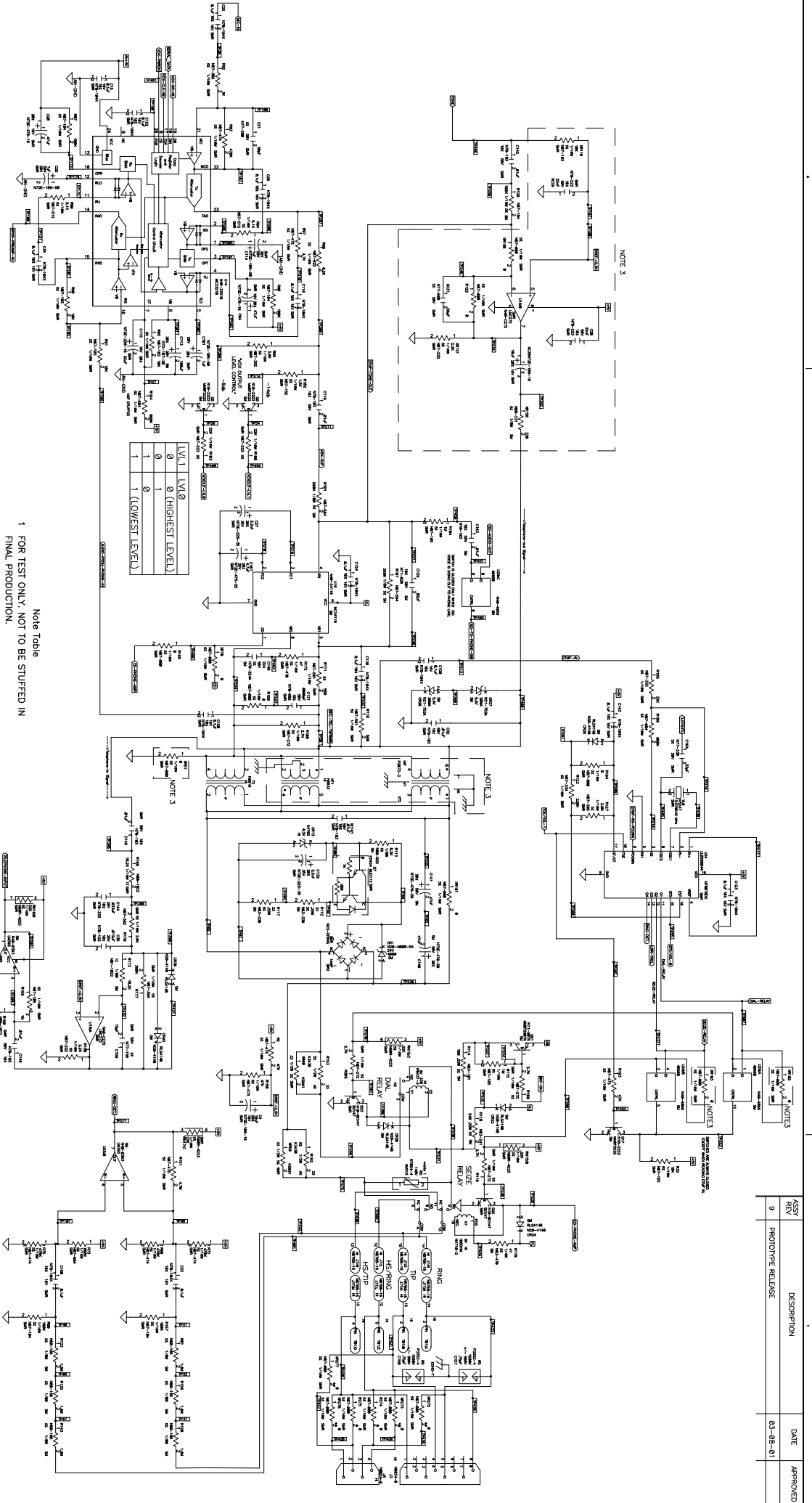
COMPILER	FILE NAME	DATE
D. Tyroler	02/17/81	

ADEMCO	165 ELLEN WAY
POB (REP)	STUSSSET, NEW YORK 11791
TITLE	K5938-REV. 1
DRAWING NUMBER	LYNKEN (MAN/ALUD)
DESIGNER	SALYNKEN
DATE	02/27/81

NOTE: * COMPONENTS NOT STUFFED IN PCB.

ASSY	DESCRIPTION	DATE	APPROVED
9	PROTOTYPE RELEASE	03-08-81	

ASSEMBLY	DESCRIPTION	DATE	APPROVED
9	PROTOTYPE RELEASE	03-08-81	

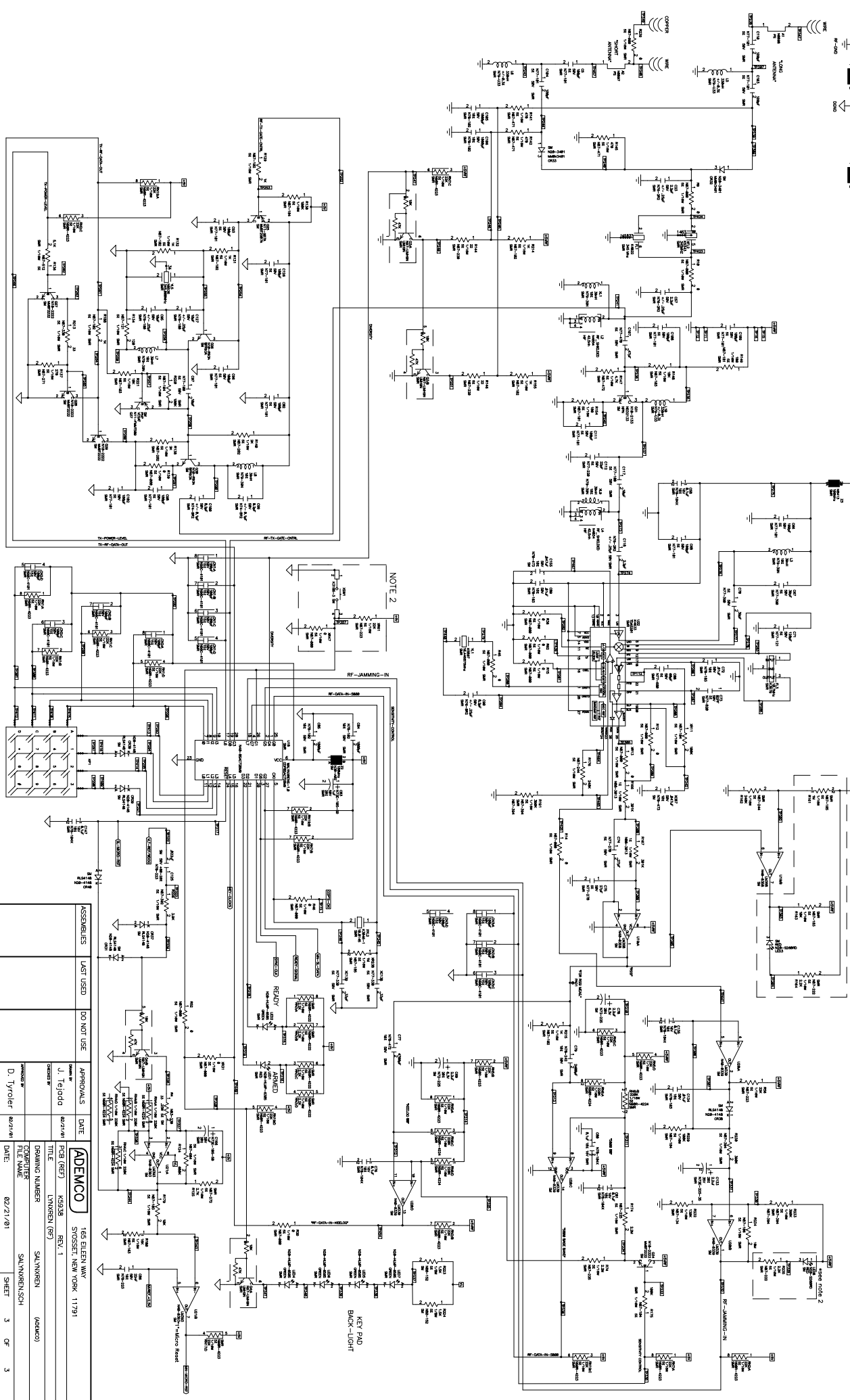


LEVEL	LEVEL
0	0 (HIGHEST LEVEL)
1	1 (LOWEST LEVEL)

Note Table
 1 FOR TEST ONLY. NOT TO BE STUFFED IN FINAL PRODUCTION.
 2 DO NOT STUFF.
 3 USED IN OLD LKXNR ONLY.
 4 FOR SALYXNR-PG, SALYXNR-DE, SALYXNR-SO, SALYXNR-NL, SALYXNRUSP & SALYXNRUCNFR USE R274 & R275 MARKED WITH *.
 5 FOR SALYXNR AUSTRALIA USE R272, R273, R276 & R277 MARKED WITH **.

ASSEMBLIES	LAST USED	DO NOT USE	APPROVALS	DATE
SA	C OR U M W N Z TP		J. Tejada	02/1/81
			D. Tyroler	02/21/81

ADEMCO		165 ELLEN WAY
POB (REP)	K5938	STUSSER, NEW YORK 11791
TITLE	LYNNKEN (QUALERVOX)	REV. 1
DRAWING NUMBER	SALYXNR	
COMPUTER FILE NAME	SALYXNRUSCH	
DATE	02/21/81	SHEET 2 OF 3



ASSEMBLY	DATE	DESCRIPTION	DATE	APPROVED
9	02/21/81	PROTOTYPE RELEASE	03-08-81	

ASSEMBLIES	LAST USED	DO NOT USE	APPROVALS	DATE
			J. Tejada	02/14/81
ADEMCO 165 ELLEN WAY SUSSER, NEW YORK 11791 TITLE: POB (REF) K5938 REV. 1 DRAWING NUMBER: UNKREIN (RF) COMPUTER FILE NAME: SALINWREN (ADAMC) D. Tyroler 02/14/81 DATE: 02/21/81 SHEET 3 OF 3				

NOTE 2

NOTE 1

KEY PAD
BACK-LIGHT