



SETUP PHOTOS EXHIBIT

Report Number : R13307856-EP1

Applicant : Resideo
2 Corporate Center Drive
Melville, NY 11749-3265, USA

Model : SiXRPTRA

FCC ID : CFS8DL6RPTA

IC : 573F-6RPTA

EUT Description : Wireless Repeater

Test Standard(s) : FCC 47 CFR PART 15 SUBPART C
ISED RSS-247 ISSUE 2
ISED RSS-GEN ISSUE 5

Date Of Issue:
2020-07-23

Prepared by:
UL LLC
12 Laboratory Dr.
Research Triangle Park, NC 27709 U.S.A.
TEL: (919) 549-1400



REPORT REVISION HISTORY

Ver.	Issue Date	Revisions	Revised By
v1	2020-07-21	Initial Issue	Niklas Haydon
V2	2020-07-23	Updated model and EUT description	Niklas Haydon

TABLE OF CONTENTS

REPORT REVISION HISTORY	2
TABLE OF CONTENTS	3
1. DESCRIPTION OF TEST SETUP	4
2. SETUP PHOTOS.....	5
END OF TEST REPORT	9

1. DESCRIPTION OF TEST SETUP

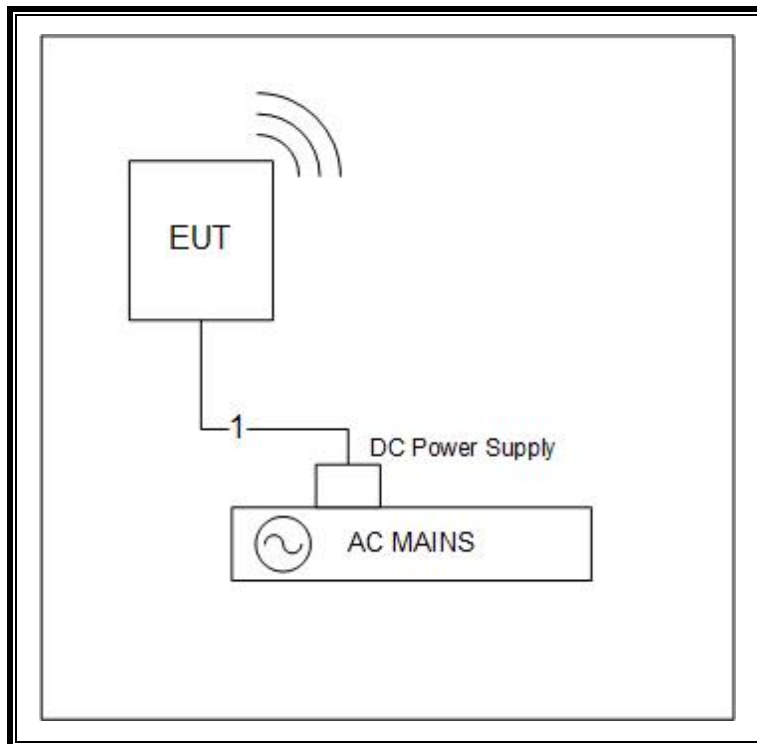
SUPPORT EQUIPMENT

Support Equipment List				
Description	Manufacturer	Model	Serial Number	FCC ID
Power Supply	Honeywell	ADS-6UA-06	N/A	N/A

I/O CABLES

I/O Cable List						
Cable No.	Port	# of Identical Ports	Connector Type	Cable Type	Cable Length (m)	Remarks
1	DC In	1	Screw	Unshielded (2-wire)	<3m	Provides DC power

SETUP DIAGRAMS



2. SETUP PHOTOS

CONDUCTED SETUP

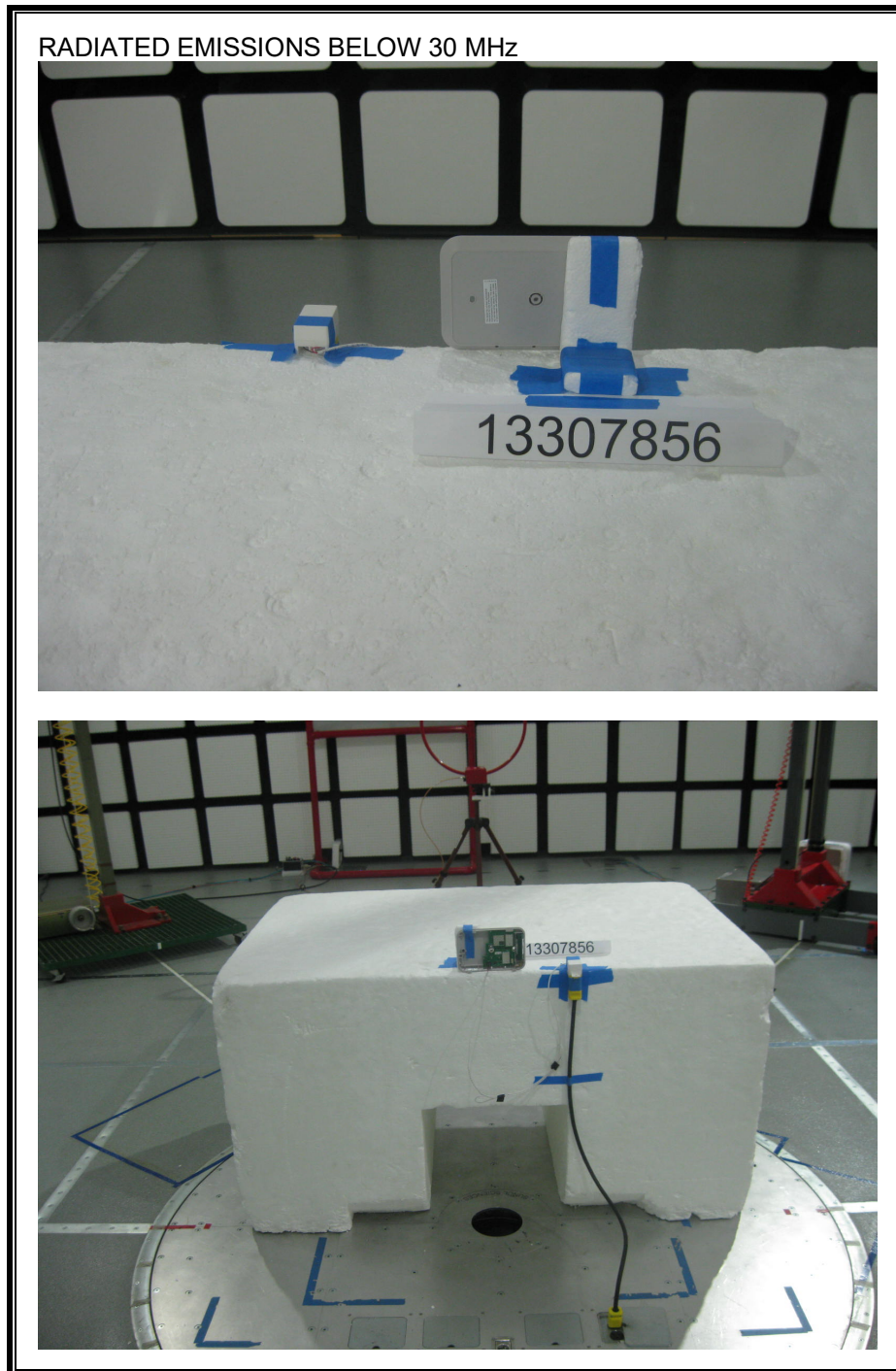
Antenna 1



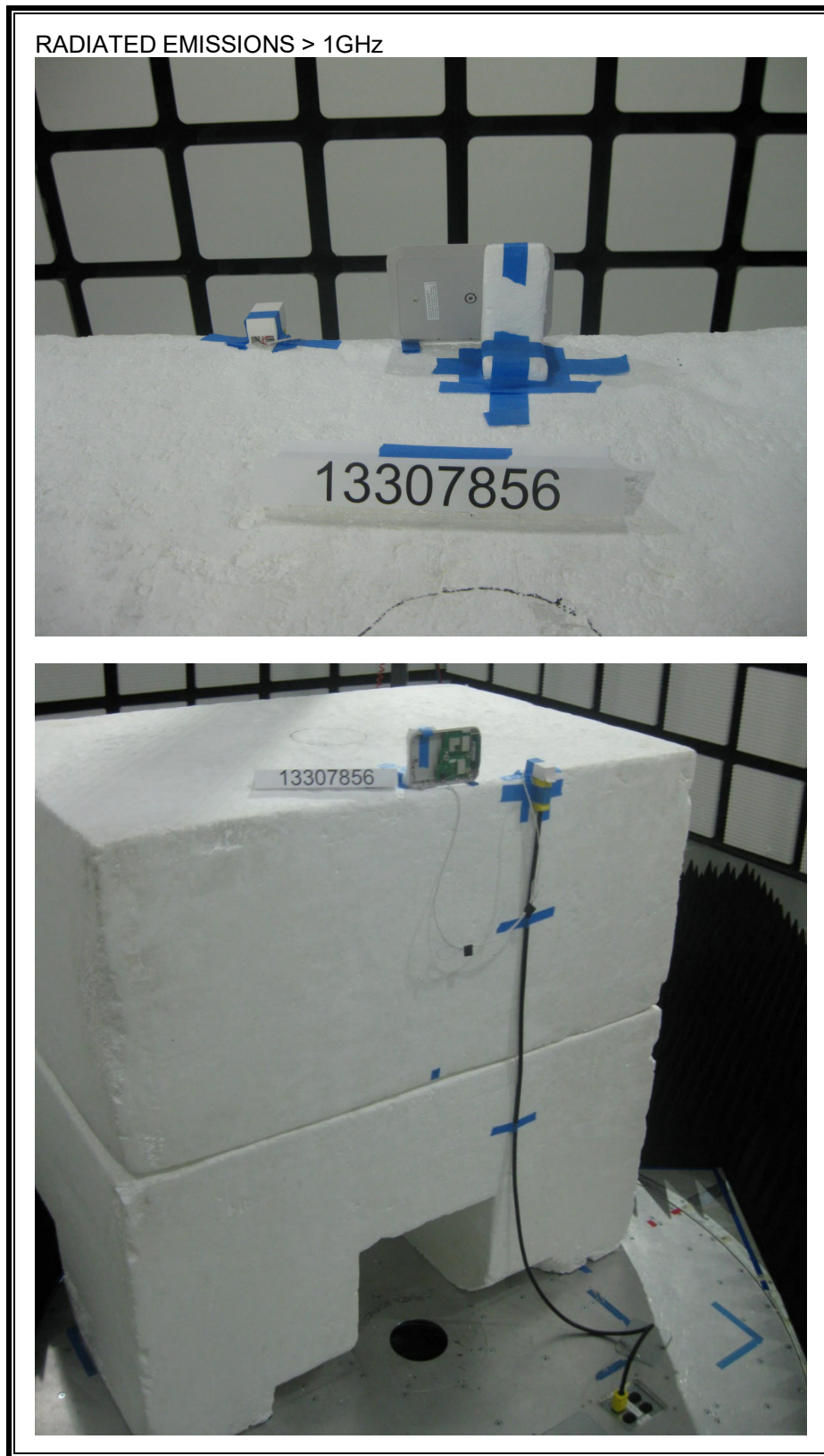
Antenna 2



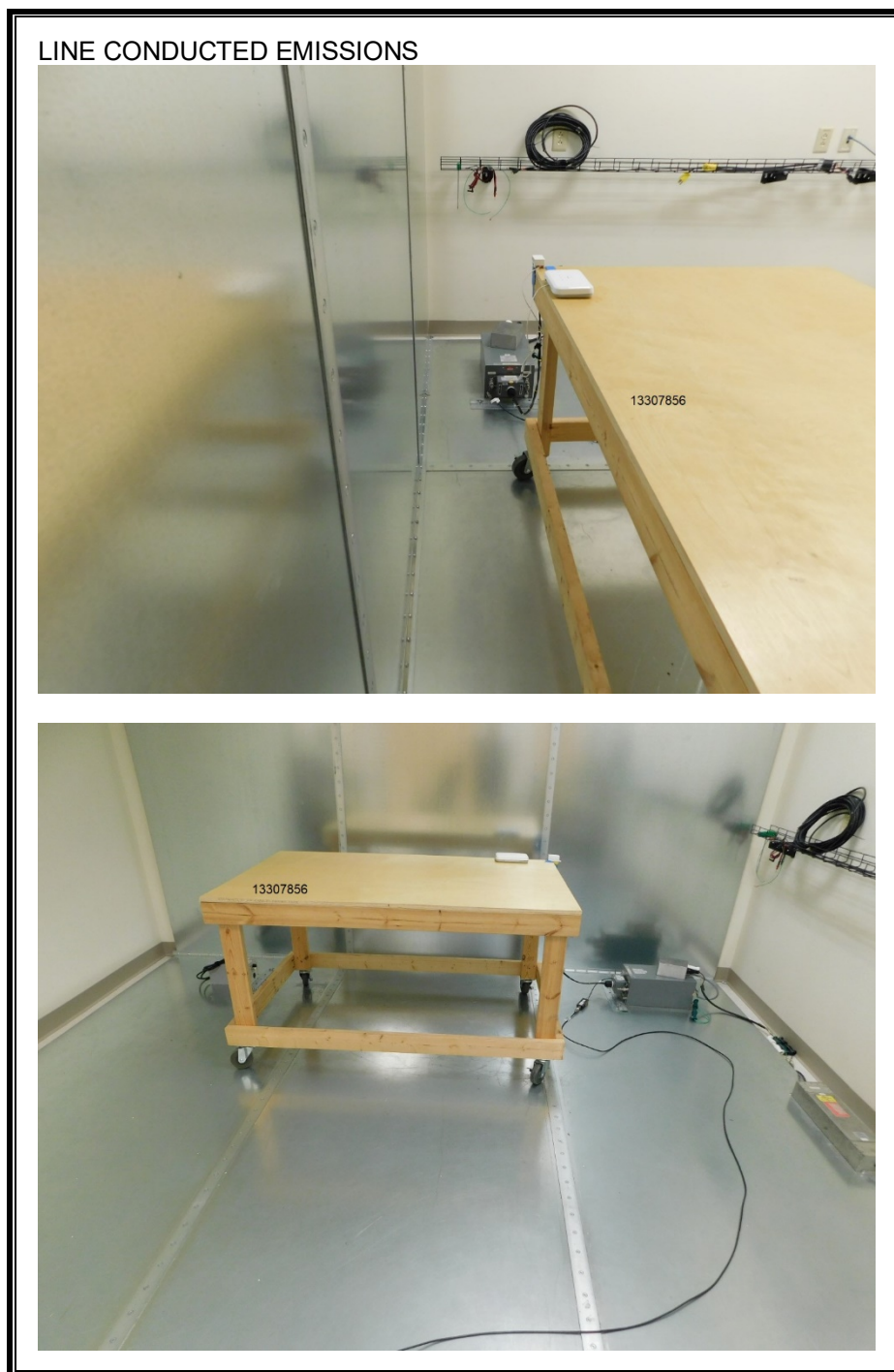
RADIATED EMISSIONS







AC MAINS LINE CONDUCTED EMISSION



END OF TEST REPORT