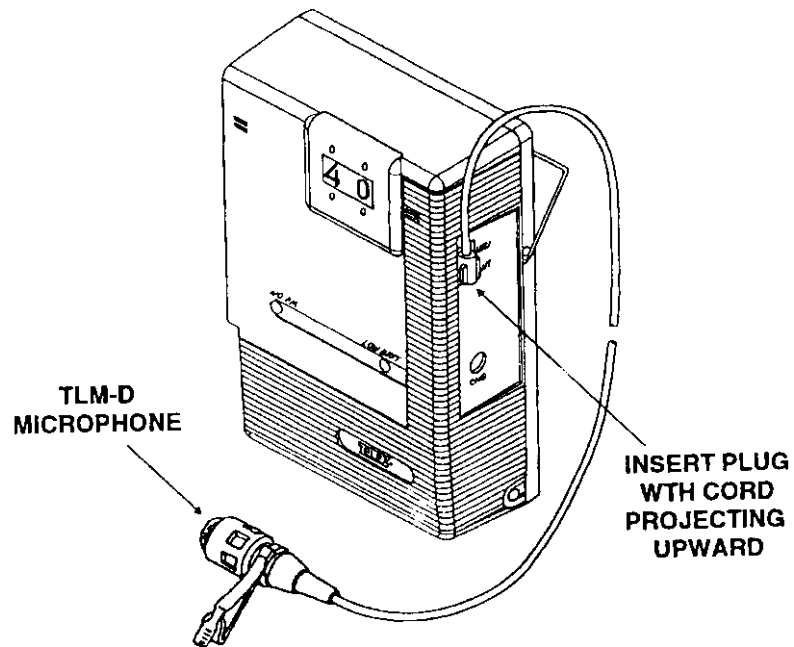


# Telex

---

## Operating Instructions



## TX-40 Transmitter

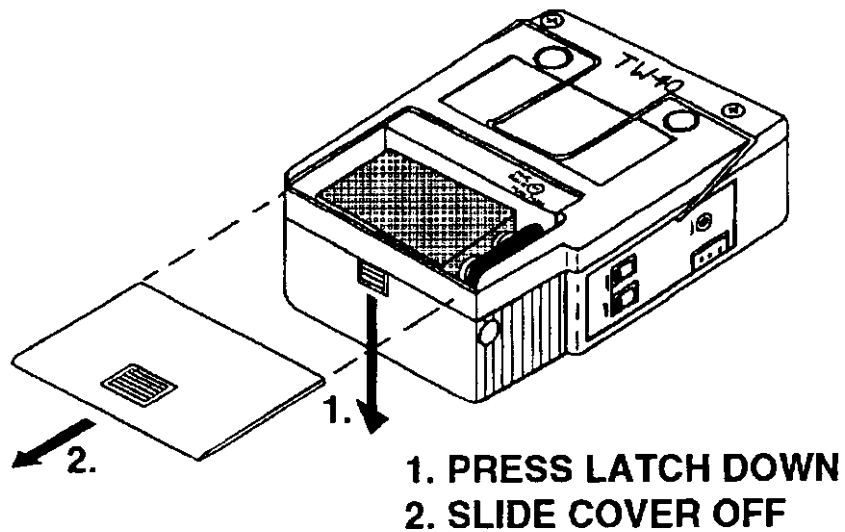
**TELEX**<sup>®</sup>

Sound Solutions. Sound Value.<sup>™</sup>

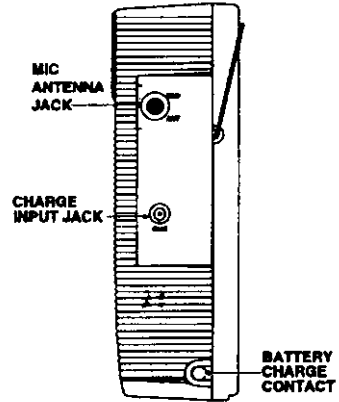
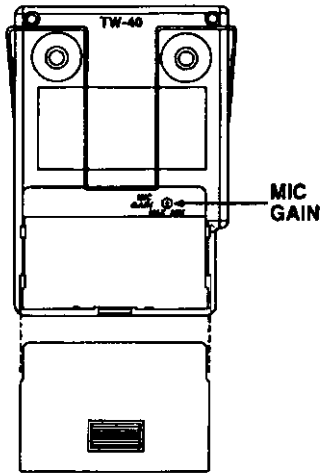
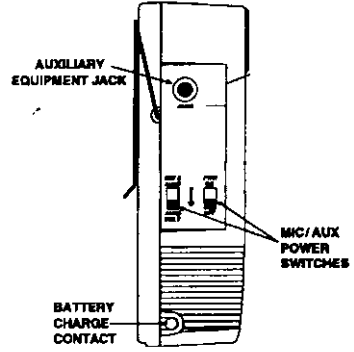
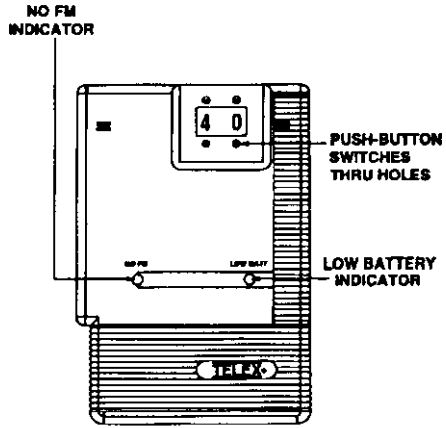
## INSTALLING THE BATTERIES

The TX-40 uses two standard AA batteries. The unit will operate using disposable alkaline batteries, rechargeable nickel-cadmium batteries or rechargeable nickel metal hydride batteries. To install the batteries:

- a) Turn the power switch off.
- b) Release the battery cover latch on the bottom of the case and slide the battery cover off. See illustration below.
- c) Position the batteries aligning the polarity as marked on the battery compartment.
- d) Insert the batteries into the completely.
- e) Slide the battery cover back into place. Be sure the latch snaps into place.



# PARTS IDENTIFICATION



NON-HOME

## SWITCH ON TRANSMITTER POWER AND FUNCTION SWITCHES

1. Set the power switch up to the "PWR ON" position.
2. Set the function switch to the desired position:
  - a. The "MIC & AUXS" position (up) allows the transmission of FM audio signals from the microphone alone or from both the microphone and auxiliary microphone and/or auxiliary equipment, e.g. TV, tape recorder, etc.
  - b. The "AUXS ONLY" position (down) allows the transmission of FM audio signals from the auxiliary microphone and/or auxiliary equipment only.
  - c.

**NOTE:** If both the microphone and auxiliary inputs are to be utilized, plug the microphone cord into the "MIC/ANT" jack and the auxiliary cord into the "AUXS" jack.

## VERIFY PROPER OPERATION

1. Transmitter and student receiver "NO FM" lights should go out for proper operation.
2. Transmitter and receiver "LOW BATT" indicators flash when a battery requires recharging or replacement.
3. A transmitter flashing "NO FM" indicates that the microphone is plugged into the incorrect jack or that the microphone cord is damaged.
4. Talk at a normal speaking level. The "MIC GAIN" trimmer should be set in the center for average voices. For soft voices, set the GAIN to MAX, and for strong voices, set the GAIN to MIN.

