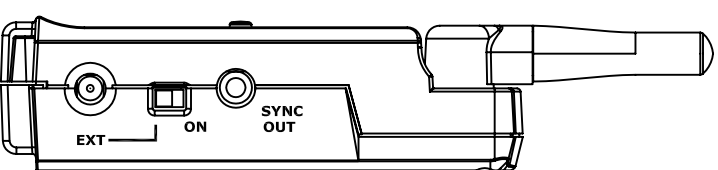
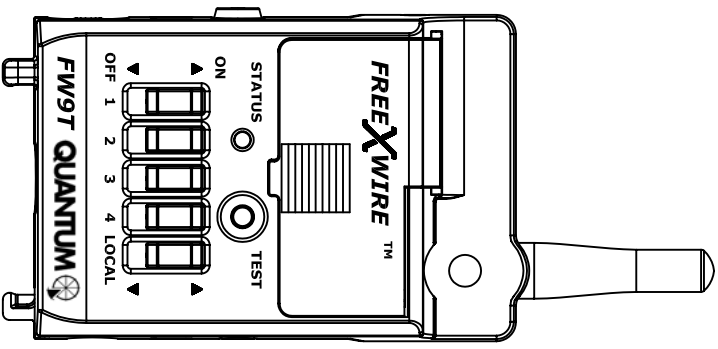
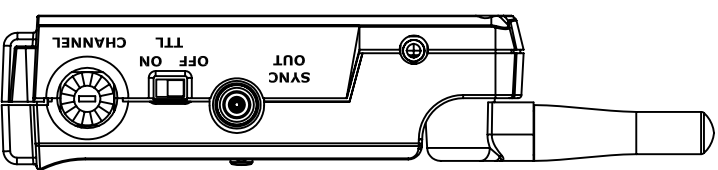


REVISIONS			
LTR	DESCRIPTION	ECN	DATE
A	RELEASED FOR PRODUCTION		12/01/04
			KQ



THIS INFORMATION IS PROPRIETARY TO QUANTUM INSTRUMENTS INC. IT SHOULD NOT BE DIVULGED TO ANY PARTIES EXCEPT QUANTUM EMPLOYEES WHO NEED TO KNOW OR TO QUANTUM CONTRACTORS WHO REQUIRE THIS INFORMATION TO COMPLETE WORK CONTRACTED FOR WITH QUANTUM INSTRUMENTS INC.

UNLESS OTHERWISE SPECIFIED DIMENSIONS ARE IN INCHES, TOLERANCES ARE: XX ±.015 XXX ±.010		REV. ANGLES 1/2°	QUANTUM INSTRUMENTS INC. GARDEN CITY, N.Y. 11530		MMF NO.
MATERIAL:		PAD PRINTING FREEWIRE FW9T			
DRAWN	K. QUITLEY	12/01/04	DRAWING NUMBER		REV. A
CHECKED					
APPROVED	PRDD:	ENG:	SCALE	SHEET 1 OF 1	