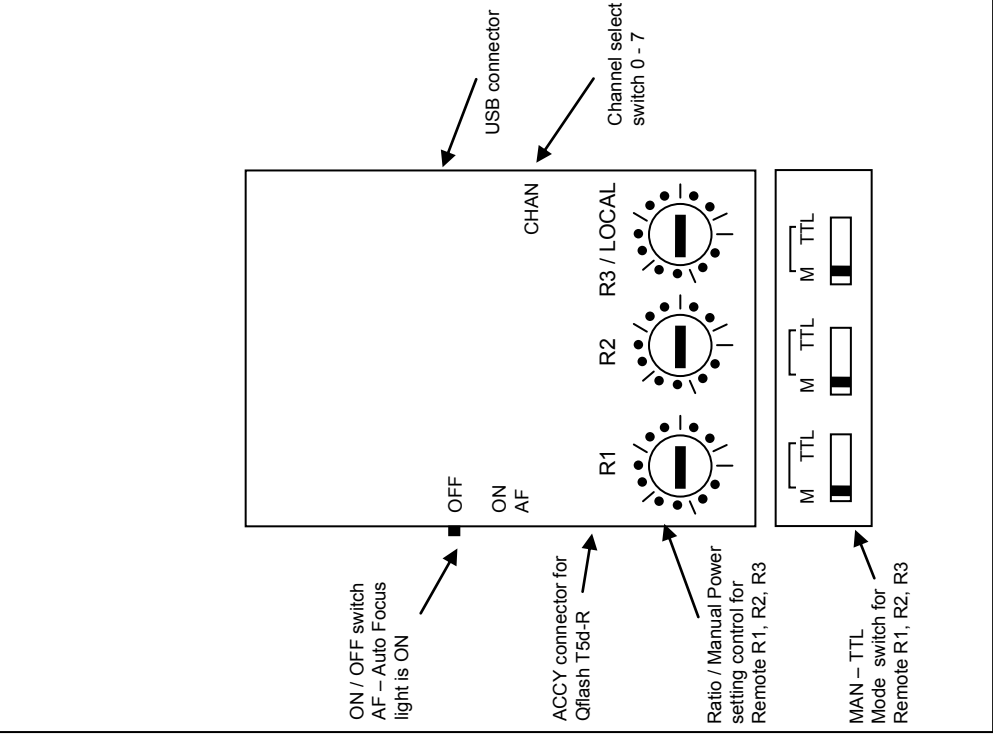


Operating Instructions

Shoe Mount Wireless Radio Commander for Qflash 5d-R and TRIO

Qflash[®] Co-Pilot
QF91



1 Introduction

The Co-Pilot can control the exposure of three Remote Groups (**R1, R2, and R3**) or two Remote Groups (**R1, R2**) and a local Qflash T5d-R.

A Remote Group can consist of :

- Quantum Trio

- and / or

- Qflash T5d-R with an FW8R or FW7Q receiver

- and / or

- Any non Quantum flash that can be triggered by a sync signal, with an FW8R or FW7Q.

Any number of remotes may be combined in a Remote Group, for the same mode / exposure.

To separately set exposures of remote flashes, set them, to different Remote Groups.

2 Setting up the Remote Groups

A remote Group can consist of Quantum Trio set to **Remote Group R1, R2, R3** Qflash T5d-R set to **Wireless Group R1, R2**. When used with an FW8R or FW7Q receiver.
Any non Quantum flash that can be triggered by an external sync signal from an FW8R or FW10w.

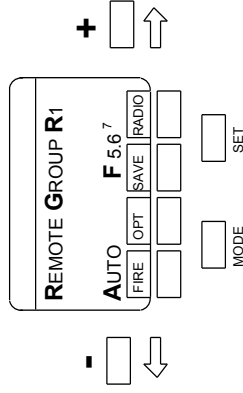
Note: All channels must be set to the same channel number.

2.1 Using a Quantum Trio as a remote

Press the mode button, on the Trio, use the left or right arrow buttons to select **Wireless Remote Group**. Press one of the soft keys to choose **R1, R2, or R3**.

Press the **RADIO** softkey to set the channel. There are eight channels available, 0 through 7.

NOTE: There is no need to set the **ZONES** when using **Wireless Remote Groups** with the **Trio**.



2.2 Using a Qflash T5d-R with an FW8R or FW7Q receiver as a remote

Press the mode button, on the Qflash t5d-R, then use the up or down buttons to select **Wireless Remote Group 1** or **Wireless Remote Group 2**.

WIRELESS GROUP R1
TO ACTIVATE CONTROL FROM
LOCAL QFLASH TURN LOCAL
QFLASH OFF THEN ON

The Qflash T5d-R may display a message that it needs a signal from the Local flash to activate this mode. The message will disappear when you set up the Co-Pilot

Set the channel on the FW8R or FW7Q. There are eight channels available, 0 through 7.

NOTE: Set all zones to **ON**.

2.3 Using a Non Quantum flash as a remote

Connect a flash unit to a FW8 or FW10w receiver. Set the channel on the receiver, to the same channel set on Co-Pilot.

Use the **ZONE** switches to select the remote group. Zone 1 **ON** = Remote Group R1, Zone 2 **ON** = Remote Group R2, Zone 3 **ON** = Remote Group R3.

NOTE: When using a non Quantum flash the Co-Pilot will provide a sync signal to fire the flash, but will not control the exposure. The **MAN-TTL** mode switch for this Group must be set to **M**.

3 Co-Pilot setup

The Co-Pilot can control the exposure of three Remote Groups (**R1, R2, and R3**) or two Remote Groups (**R1, R2**) and a local Qflash T5d-R.

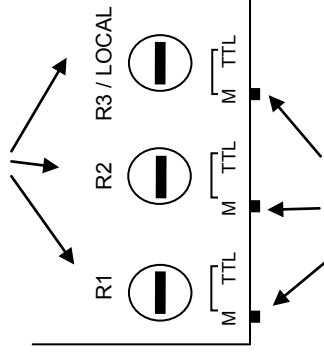
A Remote Group can consist of a Quantum Trio, Qflash T5d-R with an FW8R or FW7Q receiver, or any non Quantum flash that can be triggered by a sync signal. The Co-Pilot will fire a non Quantum flash but not control it's exposure.

3.1 No Local Qflash T5d-R connected

Each Remote Group has two controls.

R1, R2, and R3 (when no Qflash T5d-R is connected to the **ACCY** connector)

RATIO / MANUAL POWER SETTINGS – this control adjusts the exposure of the Remote Group. Ratio settings can be set from -2⁷ to +2. Manual power settings can be set from 1/16- to 1/1. This control also has an **OFF** position. When set in the **OFF** position the flash in the Remote Group will not fire.



MODE switch – this control sets the mode of the Remote Group to **M** (manual) or **TTL**. If the Remote Group is a Quantum Trio or Qflash T5d-R

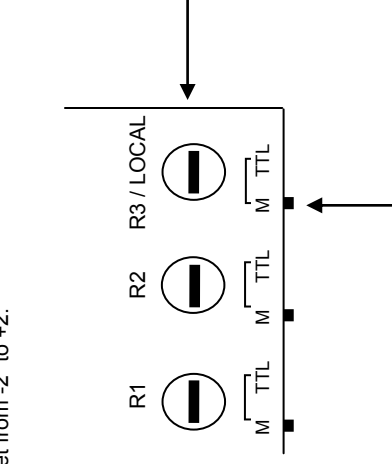
Note : When using a non Quantum flash as a Remote Group set the **MODE** switch to **M**.

3.2 Local Qflash T5d-R connected

When a Qflash T5d-R is connected to the Co-Pilot ACCY connector, Group R3 becomes the Local ratio control

Remotes will operate in Groups **R1, R2** only.

RATIO / MANUAL POWER SETTINGS – this control adjusts the ratio of the local Qflash T5d-R, when the Qflash is in **QTTL** mode. Ratio settings can be set from -2⁷ to +2.



MODE switch – this control is disabled when a Qflash T5d-R is connected to the Co-Pilot. The **MODE** button on the local Qflash T5d-R overrides the mode setting.

Industry Canada Statement

This Class B digital apparatus complies with Canadian ICES-003.

Cet appareil numérique de la classe B est conforme à la norme NMB-003 du Canada.

This device complies with Industry Canada license-exempt RSS standard(s).

Operation is subject to the following two conditions:

- (1) this device may not cause interference, and
- (2) this device must accept any interference, including interference that may cause undesired operation of the device.

Cet appareil est conforme avec Industrie Canada exempt de licence RSS standard(s).

Son fonctionnement est soumis aux deux conditions suivantes :

- (1) cet appareil ne peut causer d'interférences, et
- (2) cet appareil doit accepter toute interférence, y compris des interférences qui peuvent provoquer un fonctionnement indésirable du périphérique.

The installer of this radio equipment must ensure that the antenna is located or pointed such that it does not emit RF field in excess of Health Canada limits for the general population: consult Safety Code 6, obtainable from Health Canada's website www.hc-sc.gc.ca/rpb.

Les changements ou modifications à cet appareil sans expressément approuvée par la partie responsable de conformité pourraient annuler l'autorité de l'utilisateur de faire fonctionner cet équipement.

- Reorienter ou déplacer l'antenne de réception.
- Augmenter la distance entre l'équipement et le récepteur.
- Branchez l'appareil dans une prise sur circuit différent de celui auquel le récepteur est connecté.
- Consultez votre revendeur ou un technicien radio / TV pour assistance. Avertissement

Conformite FCC Cet équipement a été testé et trouvé conforme aux limites de la FCC. Ces limites sont conçues pour fournir une protection raisonnable contre les interférences nuisibles dans une installation résidentielle.

Cet équipement génère, utilise et peut émettre des fréquences radio et, s'il n'est pas installé et utilisé conformément aux instructions du fabricant, peut causer des interférences nuisibles aux communications radio.

Rien ne garantit cependant que l'interférence ne se produira pas dans une installation particulière. Si cet équipement provoque des interférences nuisibles à la réception radio ou de télévision, il peut être déterminé en comparant et en l'éteignant, l'utilisateur est encouragé à essayer de corriger les interférences par une ou plusieurs des mesures suivantes:

- Reorient or relocate the receiving antenna.
- Increase the separation between the equipment and receiver.
- Connect the equipment into an outlet on a circuit different from that to which the receiver is connected.
- Consult the dealer or an experienced radio/TV technician for help.

This equipment generates, uses, and can radiate radio frequency energy and, if not installed and used in accordance with the instructions, may cause harmful interference to radio communications. However, there is no guarantee that interference will not occur in a particular installation. If this equipment does cause harmful interference to radio or television reception, which can be determined by turning the equipment off and on, the user is encouraged to try to correct the interference by one or more of the following measures:

Operation is subject to the following two conditions:

- (1) this device may not cause interference, and
- (2) this device must accept any interference, including interference that may cause undesired operation of the device.

This equipment has been tested and found to comply with the limits for a Class B digital device, pursuant to Part 15 of the FCC Rules. These limits are designed to provide reasonable protection against harmful interference in a residential installation.

IMPORTANT – CAUTION
Changes or modifications to this equipment could void your authority to use this product under the equipment authorization granted by the regulating agencies



Quantum Instruments Inc.

10 Commerce Drive, Hauppauge NY 11788-3968 USA
Tel: 1-631-656-7400 Fax: 1-631-656-7410

www.quantum.com

Pxxxx