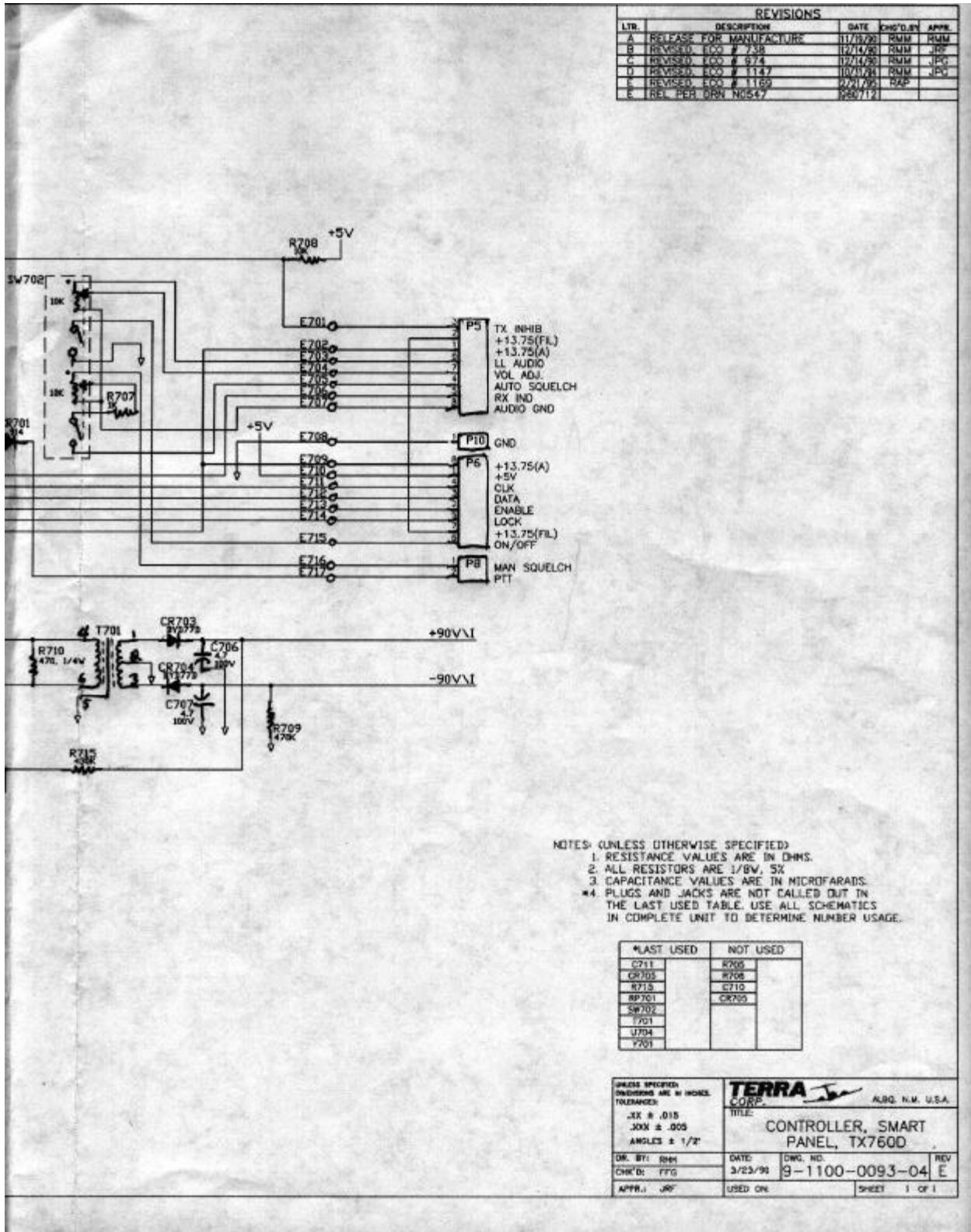


Controller Board, Page 1



REVISIONS					
LTB.	DESCRIPTION	DATE	CHK'D BY	APPR.	
A	RELEASE FOR MANUFACTURE	07/05/90	RMM	RMM	
B	REVISED ECO # 738	07/14/90	RMM	JCF	
C	REVISED ECO # 874	07/14/90	RMM	JCF	
D	REVISED ECO # 1147	10/07/91	RMM	JCF	
E	REVISED ECO # 1160	07/21/95	RAP		
E	REL PER DRN N0547	08/07/12			

NOTES: (UNLESS OTHERWISE SPECIFIED)  
 1. RESISTANCE VALUES ARE IN OHMS.  
 2. ALL RESISTORS ARE 1/8W, 5%  
 3. CAPACITANCE VALUES ARE IN MICROFARADS.  
 \*4. PLUGS AND JACKS ARE NOT CALLED OUT IN THE LAST USED TABLE. USE ALL SCHEMATICS IN COMPLETE UNIT TO DETERMINE NUMBER USAGE.

*LAST USED	NOT USED
C711	R705
CR705	R708
R715	C710
RP701	CR705
SW702	
T701	
U704	
T702	

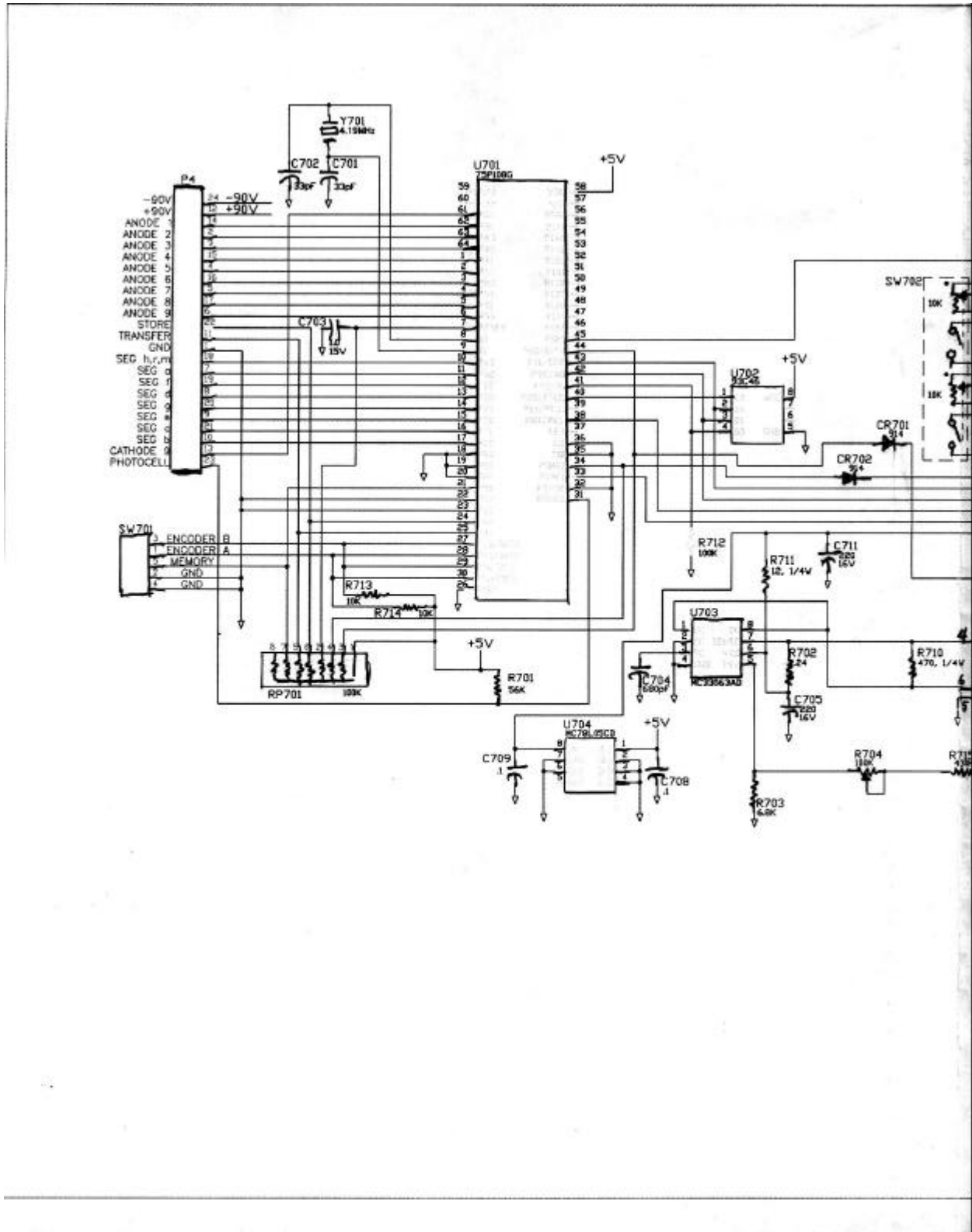
UNLESS SPECIFIED DIMENSIONS ARE IN INCHES TOLERANCES:  
 .XX ± .015  
 .XXX ± .005  
 ANGLES ± 1/2°

**TERRA CORP.** A.B.G. N.M. U.S.A.

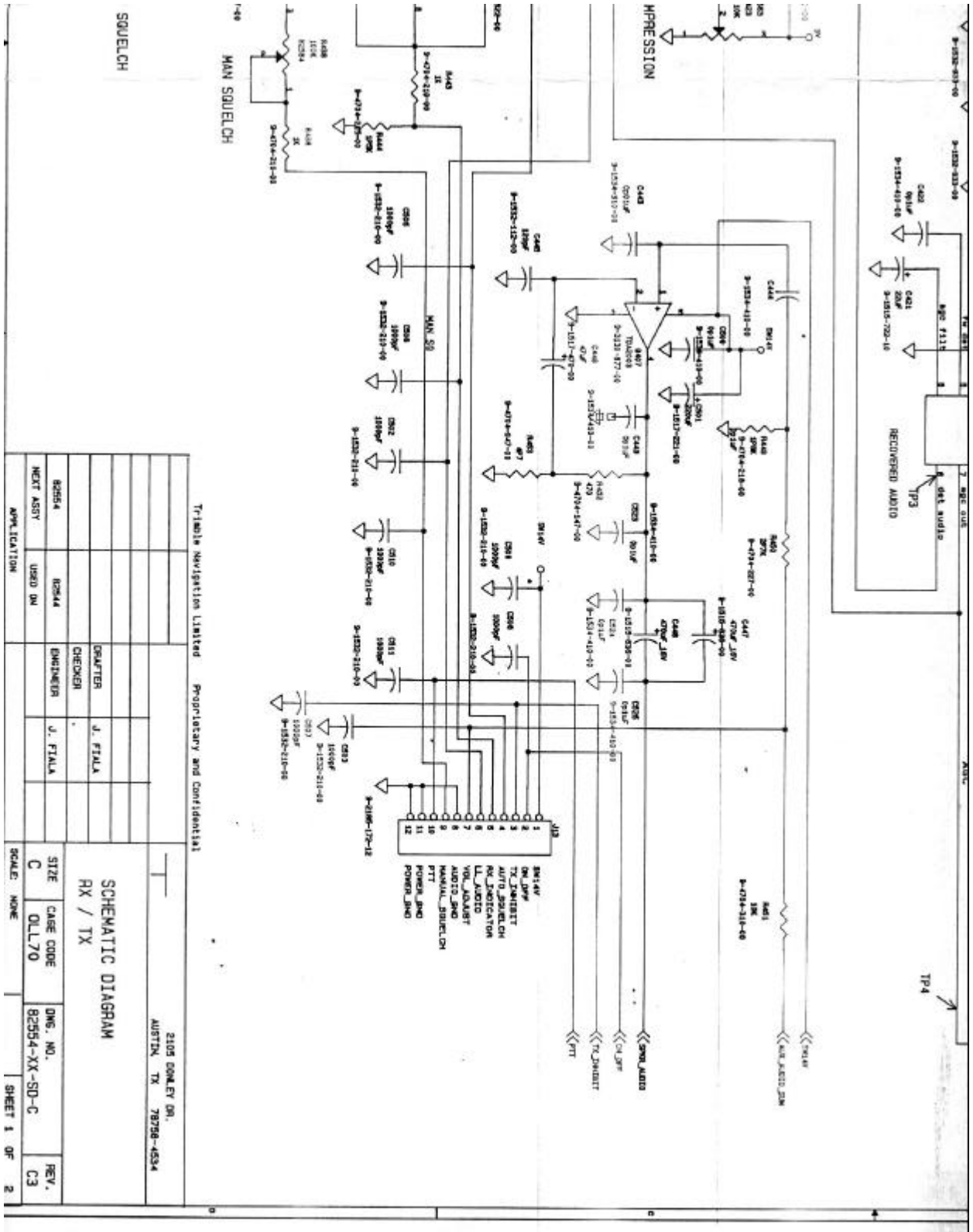
TITLE: **CONTROLLER, SMART PANEL, TX7600**

DR. BY: SHH DATE: 3/23/90 DWG. NO. 9-1100-0093-04 REV E  
 CHK'D: TFG USED ON SHEET 1 OF 1  
 APPR.: JRF

## Controller Board, Page 2



RX/TX Board, Sheet 1, Page 1



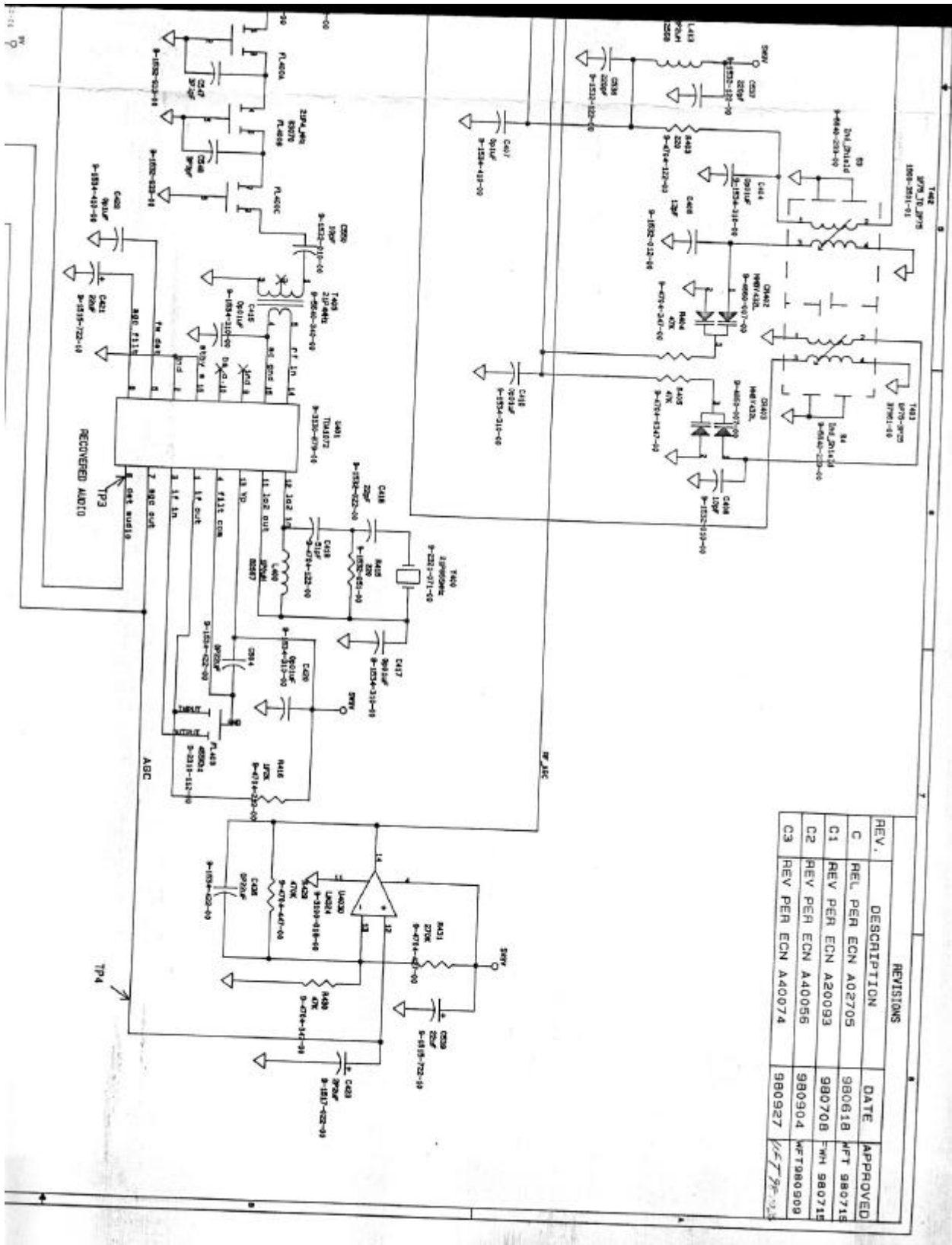
Tri-Media Navigation Limited Proprietary and Confidential

DESIGNER	J. FIALA	
CHECKER		
ENGINEER	J. FIALA	
APPROVAL		
DATE		
REV		
SIZE	CASE CODE	DWG. NO.
C	OLL70	82554-XX-SD-C
SCALE: NONE		REV. C3
		SHEET 1 OF 2

2105 DOWLEY DR.  
AUSTIN, TX 78758-4534

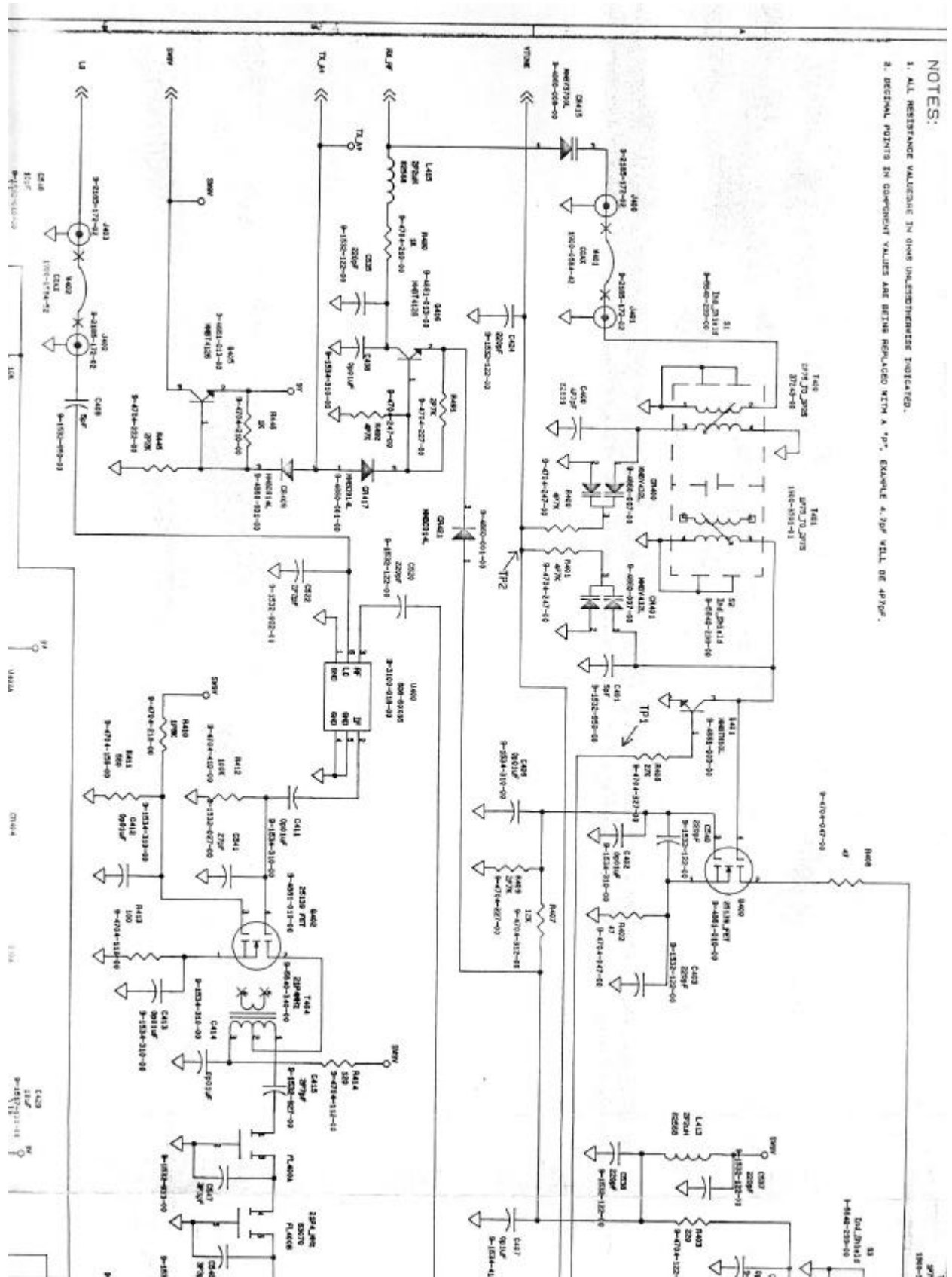
**SCHEMATIC DIAGRAM**  
RX / TX

RX/TX Board, Sheet 1, Page 2



REVISIONS			
REV.	DESCRIPTION	DATE	APPROVED
C	REL PER ECN A02705	980618	MFT 980718
C1	REV PER ECN A20093	980708	MH 980718
C2	REV PER ECN A40056	980904	MFT 980908
C3	REV PER ECN A40074	980927	MFT 980928

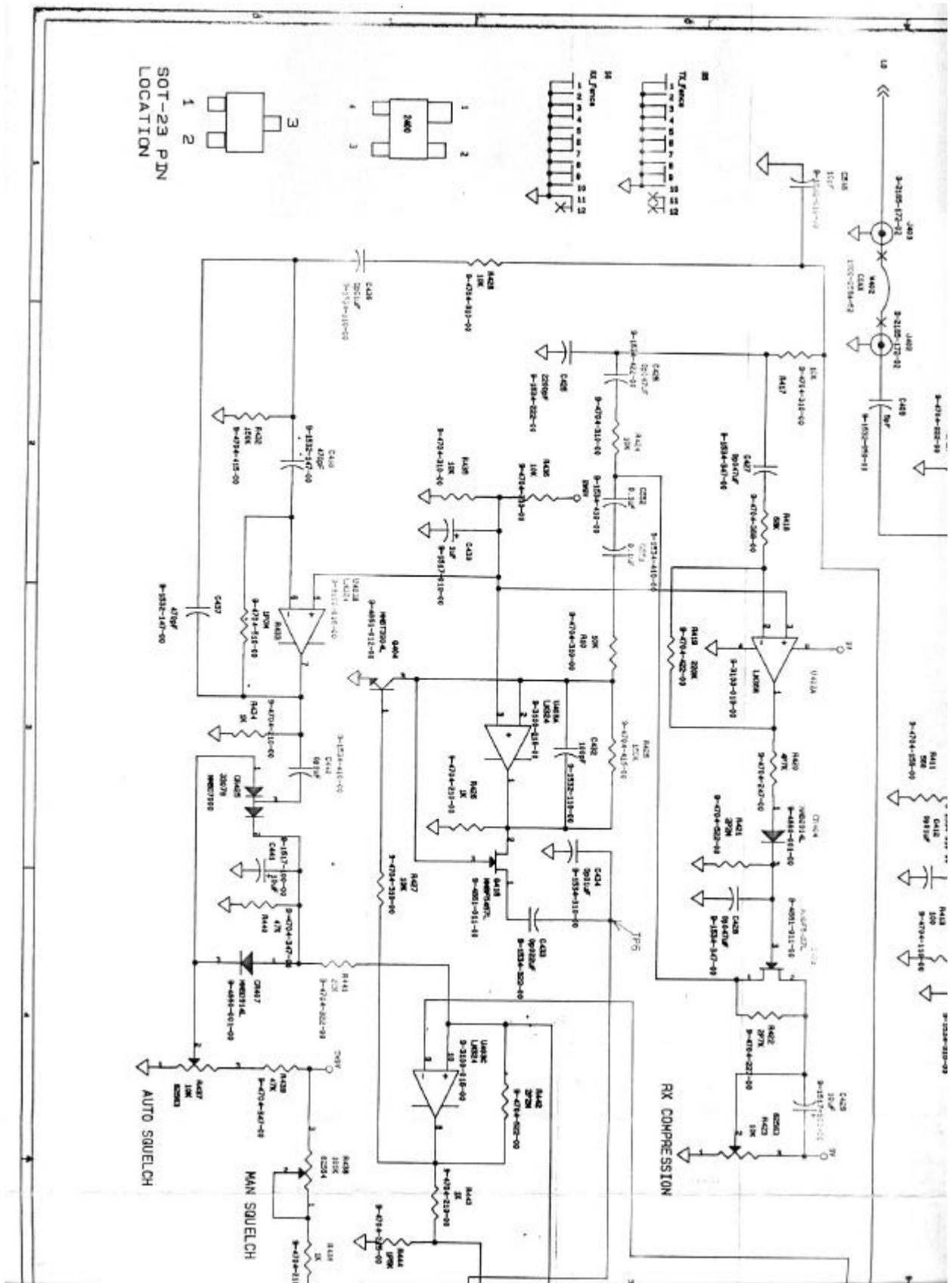
RX/TX Board, Sheet 1, Page 3



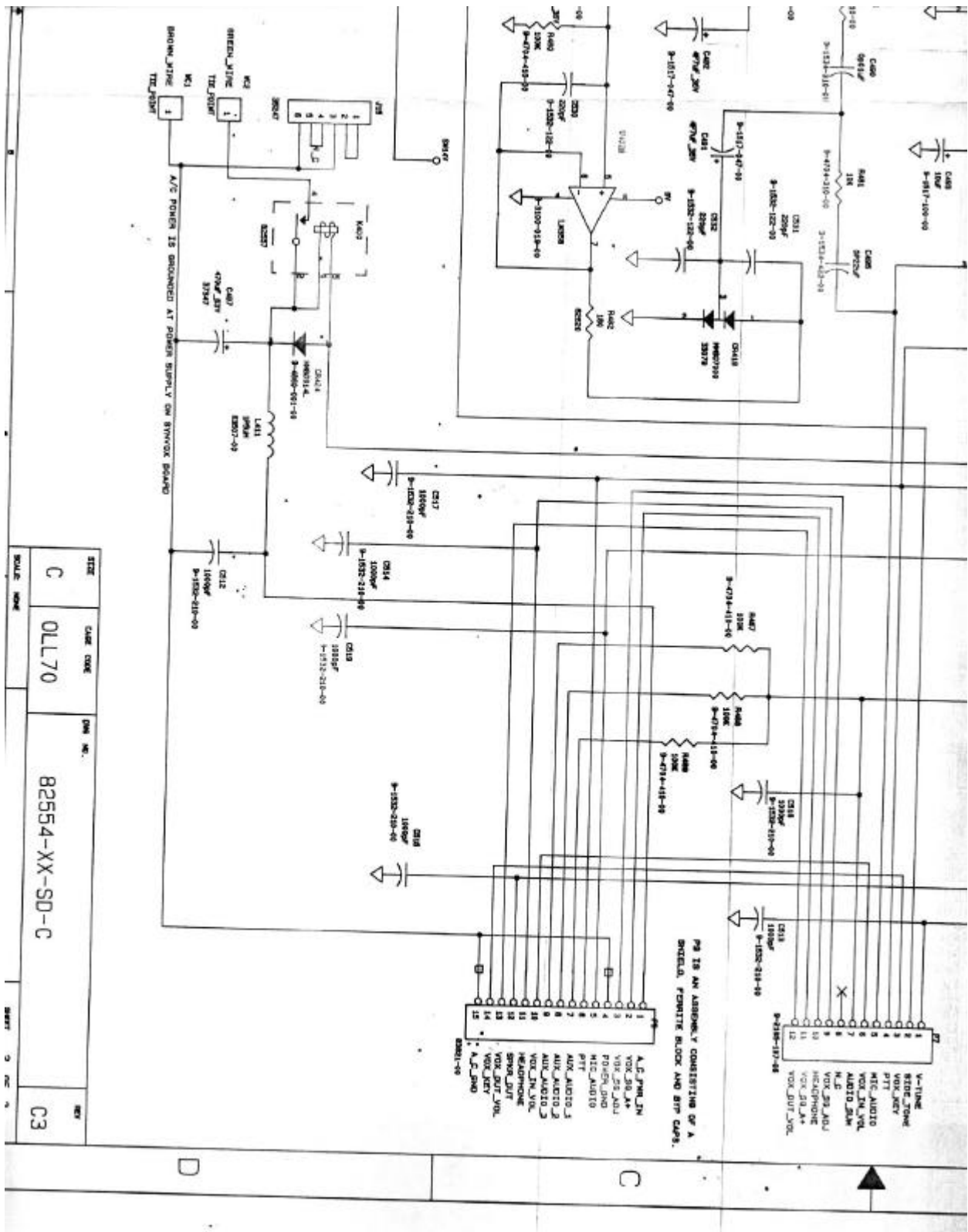
NOTES:

- 1. ALL RESISTANCE VALUES IN OHMS UNLESS OTHERWISE INDICATED.
- 2. DECIMAL POINTS IN COMPONENT VALUES ARE BEING REPLACED WITH A 'P', EXAMPLE 4.7P WILL BE 4P7P.

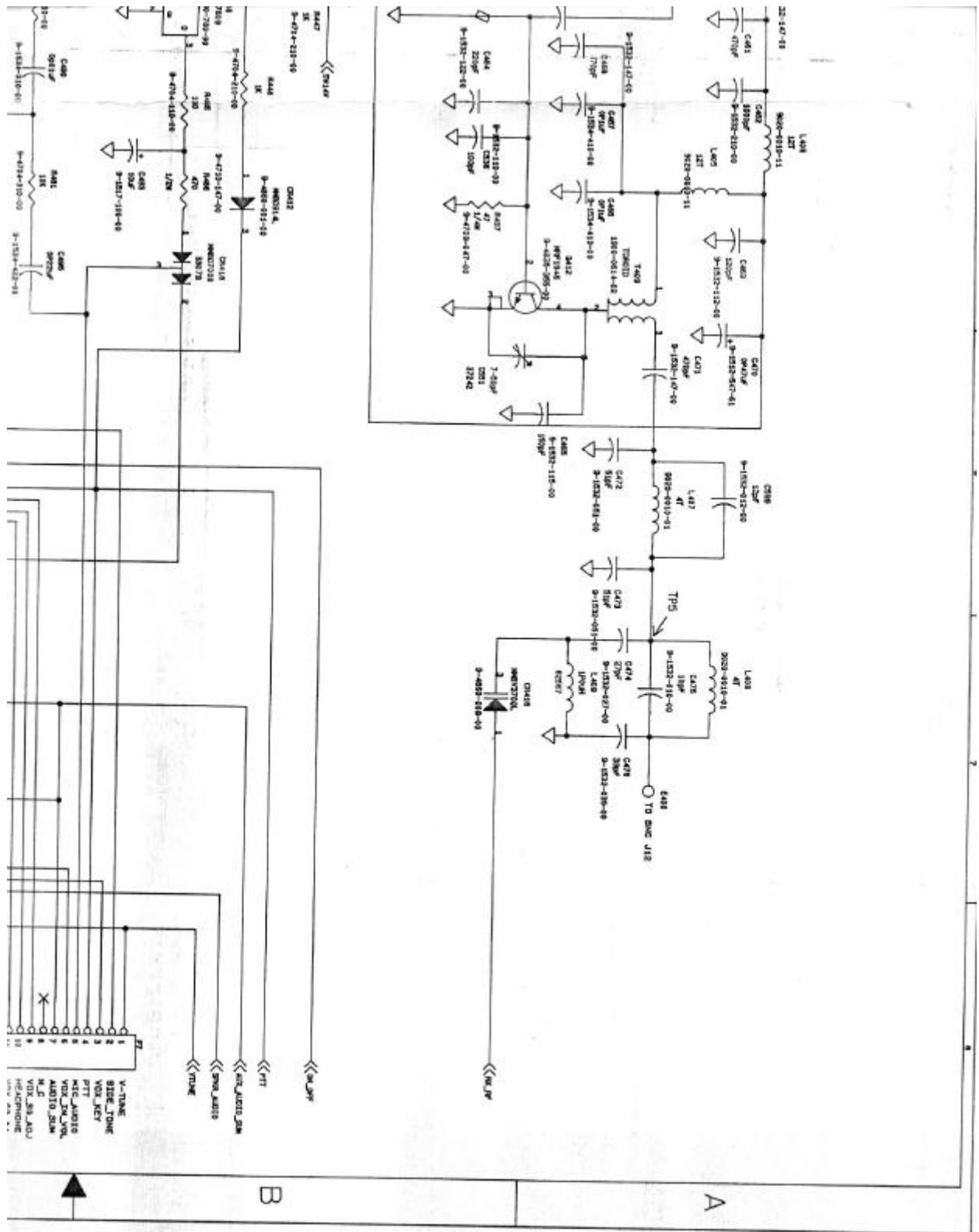
RX/TX Board, Sheet 1, Page 4



RX/TX Board, Sheet 2, Page 1

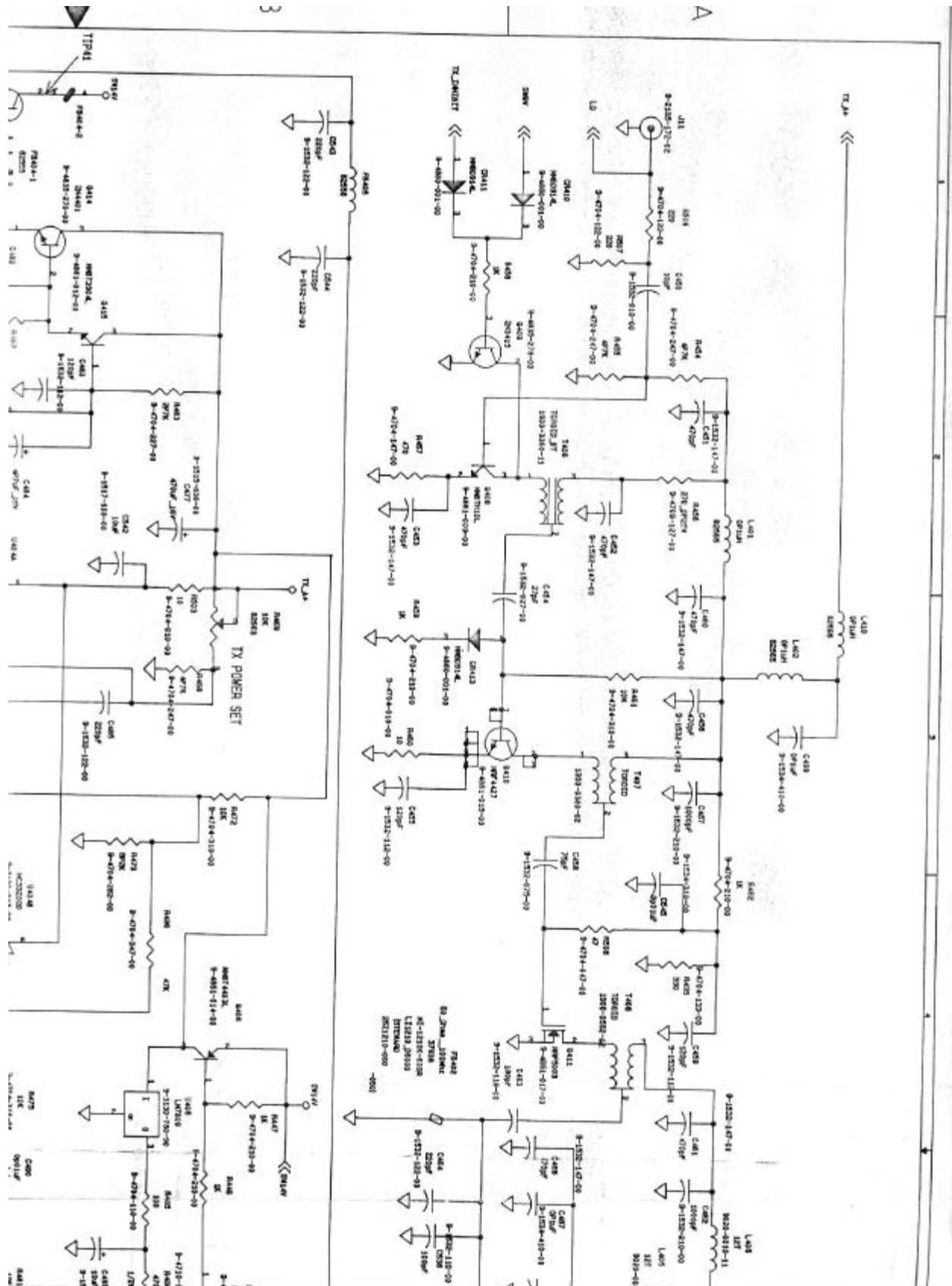


RX/TX Board, Sheet 2, Page 2

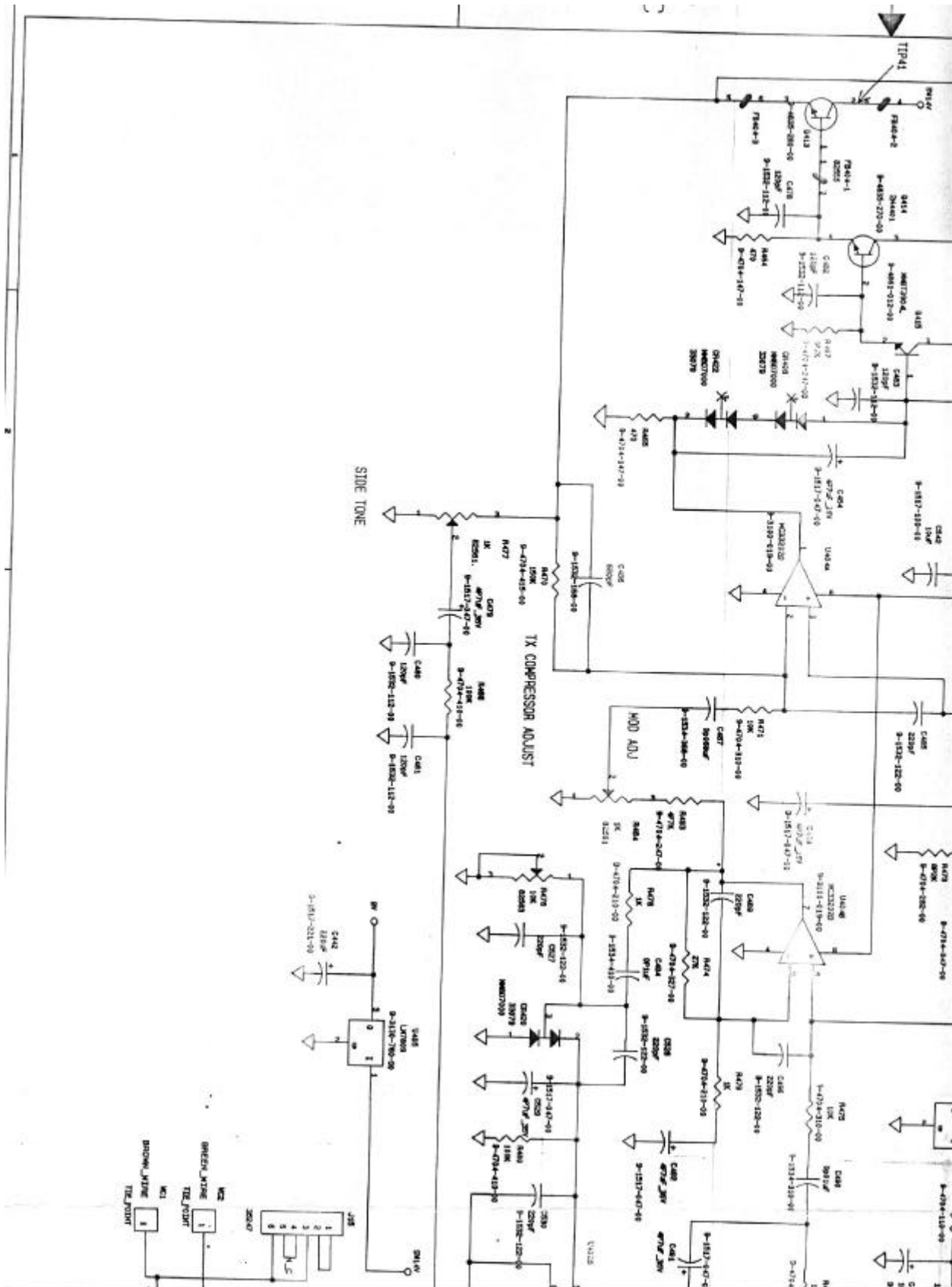




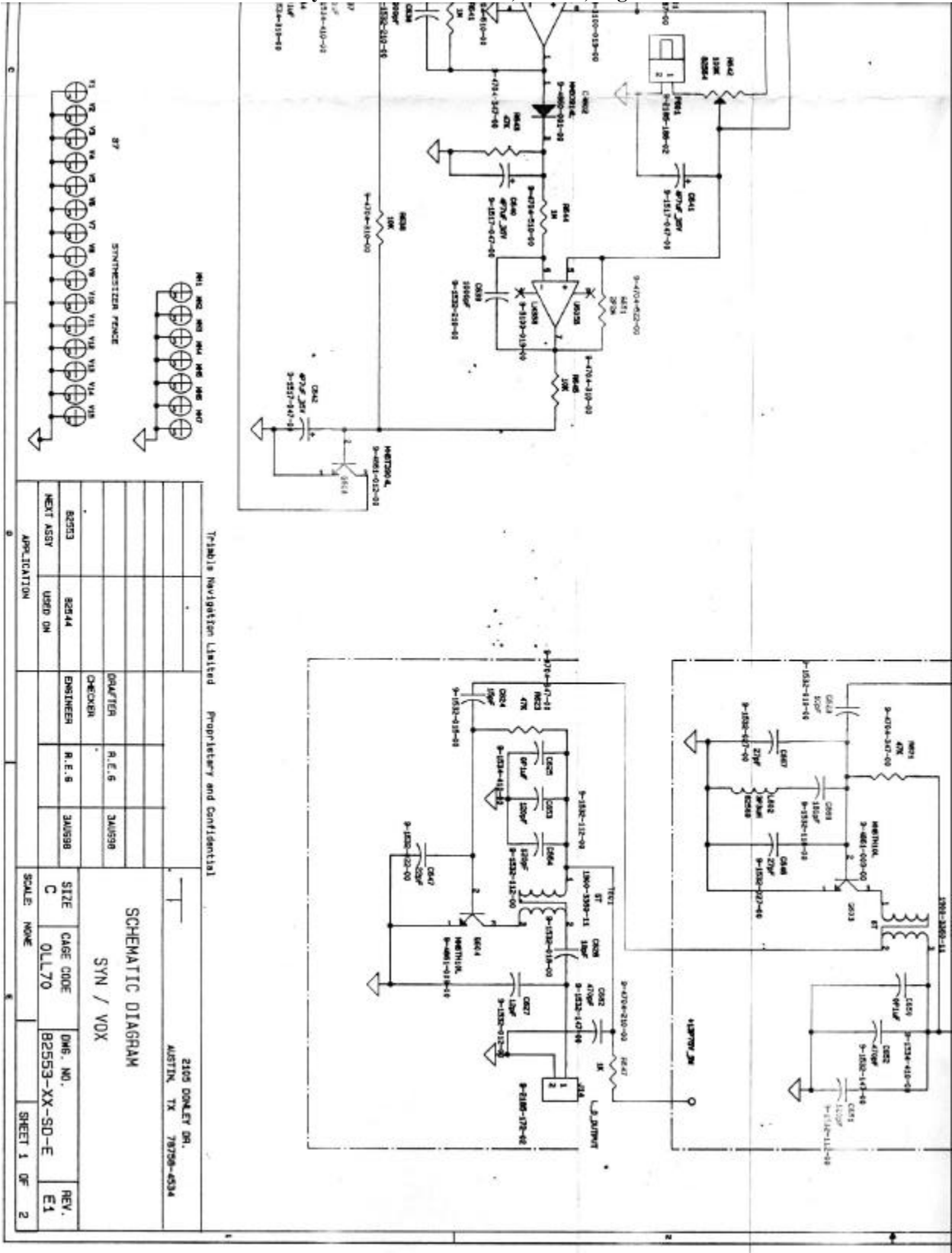
RX/TX Board, Sheet 2, Page 3



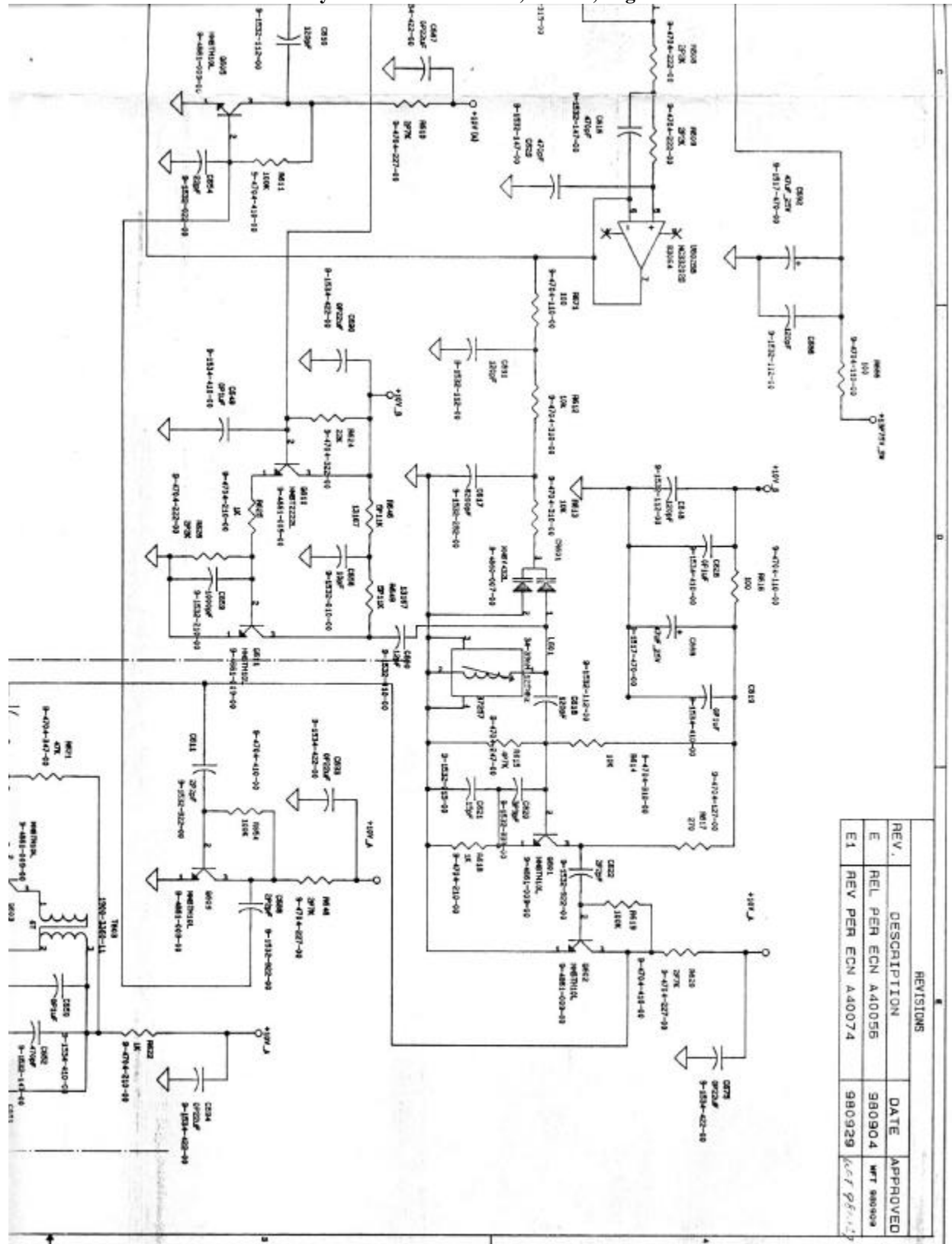
RX/TX Board, Sheet 2, Page 4



Synthesizer/VOX Board, Sheet 1, Page 1

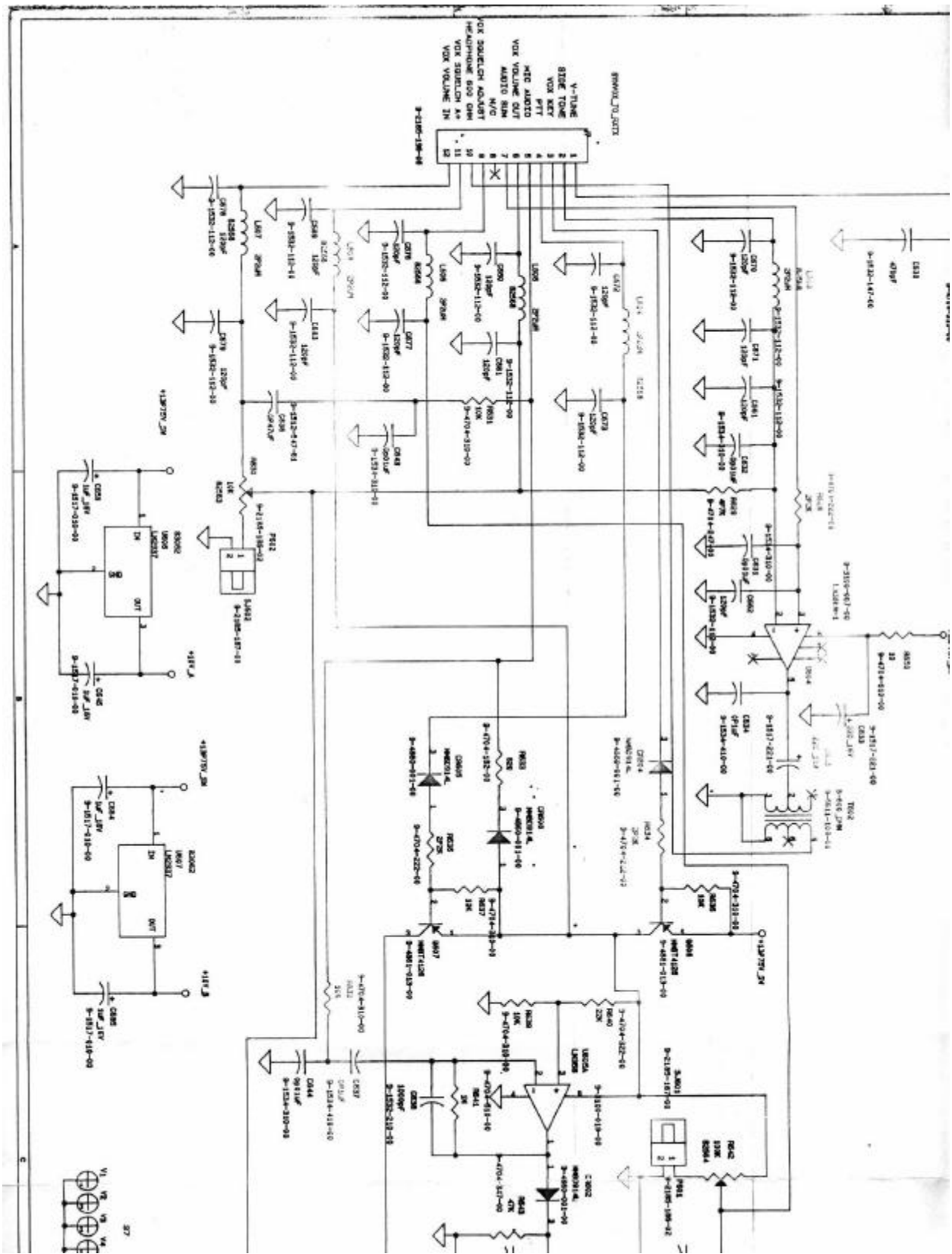


Synthesizer/VOX Board, Sheet 1, Page 2



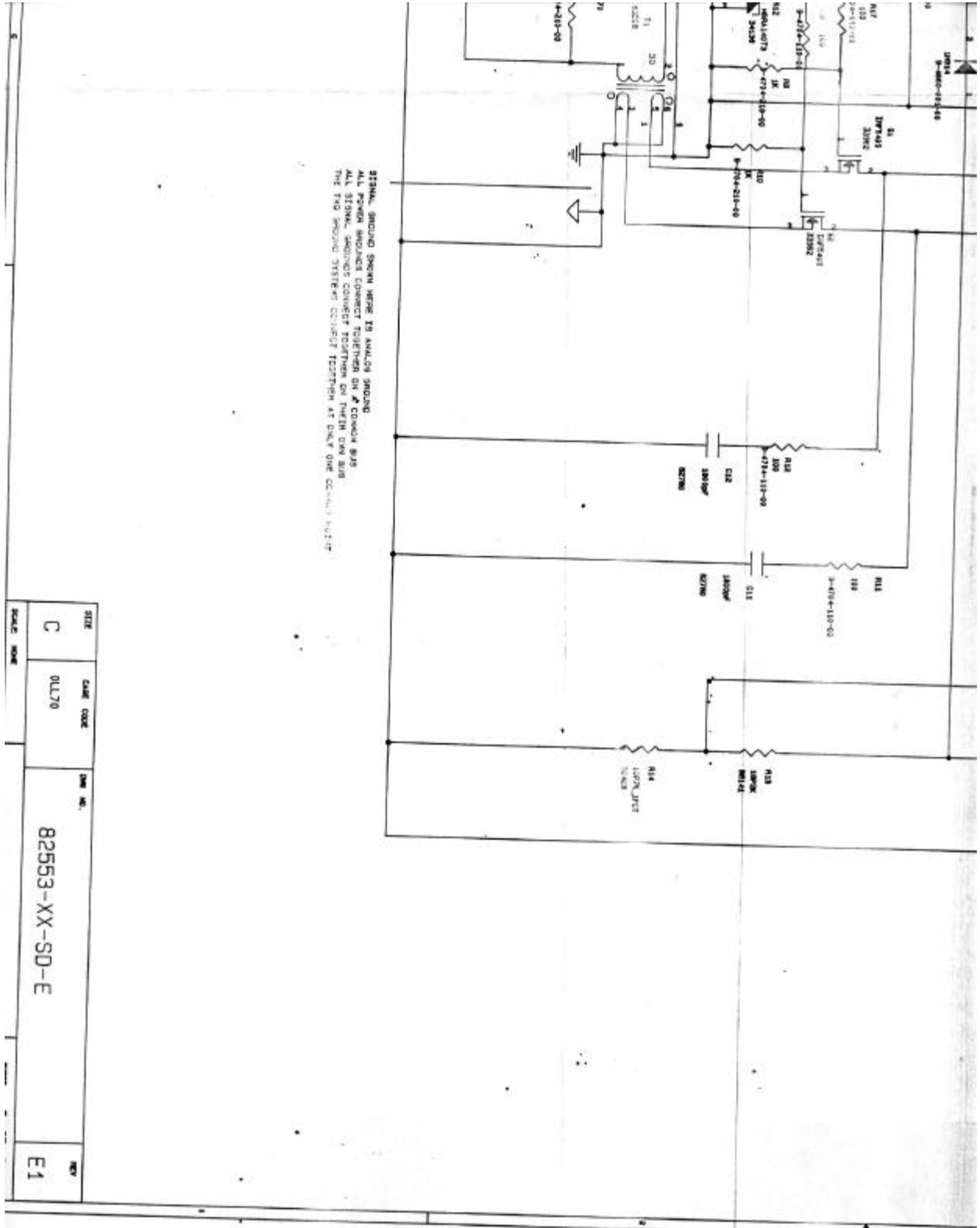
REVISIONS			
REV.	DESCRIPTION	DATE	APPROVED
E	REL PER ECN A40056	9/09/04	WPT 980929
E1	REV PER ECN A40074	9/09/29	WPT 980929

Synthesizer/VOX Board, Sheet 1, Page 3

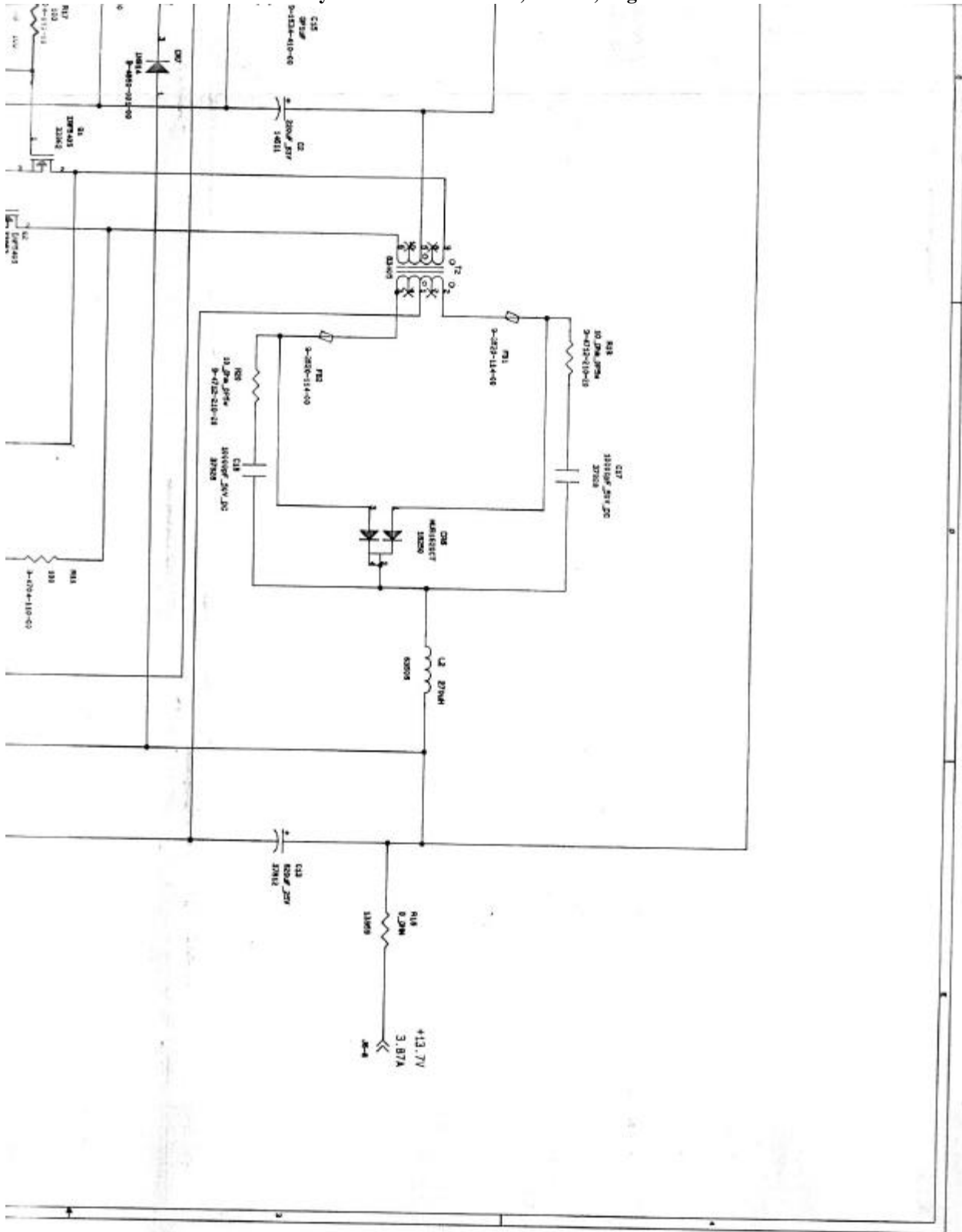




Synthesizer/VOX Board, Sheet 2, Page 1



Synthesizer/VOX Board, Sheet 2, Page 2







Synthesizer/VOX Board, Sheet 2, Page 4

NOTE: TPN 9-1050-080-00, 100UH, 3A, HASH FILTER, IS MOUNTED ON THE PANEL BRACKET FOR THE EQUIPMENT COVER LATCH IN SERIES WITH L1 WHICH IS ON THE RX/TX BOARD AND CONNECTED TO THE ABOVE \*TIE POINTS\*.

NOTE: C19 AND C20 ARE SPACE WIRED FROM L1 TO THE GROUND LUG.

WHITE WIRE FROM RX/TX BOARD K402, A/C SWITCHED POWER

BLACK WIRE FROM RX/TX BOARD, A/C GROUND

