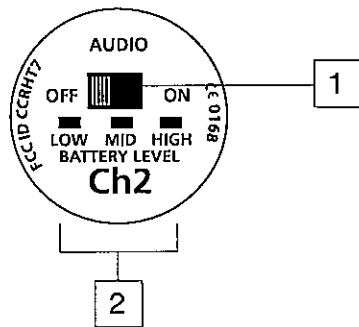


Guided Tour - HT7



1: Audio on-off switch - When set to the "on" position, audio signal is transmitted. When set to the "off" position, the audio signal is muted. Because the carrier signal remains during muting, no "pop" or "thud" will be heard. Note that turning this off does not turn off the transmitter power—it is simply a way to temporarily mute the transmission of audio signal. If you don't plan on using the transmitter for extended periods, turn off the transmitter power by using the power on-off switch (see #3 below).

2: Battery level meter - This set of three multicolor LEDs indicates relative battery power, indicating whether the installed battery is at low (red), mid (yellow) or high (green) strength. One of these will light whenever the HT7 is powered on (see #3 below). When the red "low" indicator lights, RF performance is degraded and the battery needs to be replaced.

3: Power on-off switch* - Use this to turn the HT7 on or off (to conserve battery power, be sure to leave it off when not in use).

4: Microphone Input Level control (trimpot) - This input sensitivity control has been factory preset to provide optimum level for the particular microphone capsule provided with your Concert 77 system and so we recommend that this not be adjusted manually. If necessary, however, you can use the supplied plastic screwdriver to raise or lower the input level. See the "Setting Up and Using the Concert Series System" section on page 8 in this manual for more information.

5: Battery holder - Insert a standard 9-volt alkaline battery here, being sure to observe the plus and minus polarity markings shown. We recommend the Duracell MN 1604 type battery. Although rechargeable Ni-Cad batteries can be used, they do not supply adequate current for more than four hours. **WARNING:** Do not insert the battery backwards; doing so can cause severe damage to the HT7 and will void your warranty.

* Be sure to mute the audio signal at your external mixer or amplifier before turning transmitter power on or off, or an audible pop may result.

