

CONCERT₂₈₈

DUAL-CHANNEL WIRELESS SYSTEM



Samson Technologies
45 Gilpin Avenue
Hauppauge, New York 11788-8816
Phone: 1-800-3-SAMSON (1-800-372-6766)
Fax: 631-784-2201
www.samsontech.com

NF04171-1.0

OWNER'S MANUAL

SAMSON[®]

Copyright 2014, Samson Technologies Corp.
v1

Samson Technologies Corp.
45 Gilpin Ave
Hauppauge, NY 11788
www.samsontech.com

FCC Rules and Regulations

Samson wireless receivers are certified under FCC Rules part 15 and transmitters are certified under FCC Rules part 74.

Licensing of Samson equipment is the user's responsibility and licensability depends on the user's classification, application and frequency selected.

NOTE: This equipment has been tested and found to comply with the limits for a Class B digital device, pursuant to Part 15 of the FCC Rules. These limits are designed to provide reasonable protection against harmful interference in a residential installation. This equipment generates, uses and can radiate radio frequency energy and, if not installed and used in accordance with the instructions, may cause harmful interference to radio communications. However, there is no guarantee that interference will not occur in a particular installation. If this equipment does cause harmful interference to radio or television reception, which can be determined by turning the equipment off and on, the user is encouraged to try to correct the interference by one or more of the following measures:

- Reorient or relocate the receiving antenna.
- Increase the separation between the equipment and receiver.
- Connect the equipment into an outlet on a circuit different from that to which the receiver is connected.
- Consult the dealer or an experienced Radio/TV technician for help.

WARNING: Changes or modifications not expressly approved by the party responsible for compliance could void the user's authority to operate the equipment.

This device complies with RSS-210 of Industry & Science Canada.

Operation is subject to the following two conditions:

(1) this device may not cause harmful interference and (2) this device must accept any interference received, including interference that may cause undesired operation.

Hereby, Samson Technologies Corp., declares that this CR288, CH288, CB288 is in compliance with the essential requirements and other relevant provisions of Directive 1999/5/EC. The declaration of conformity may be consulted at

http://www.samsontech.com/site_media/support/manuals/Concert_288_DOC.pdf

Important Safety Information



**ATTENTION
RISQUE D'ÉLECTROCUTION !
NE PAS OUVRIR !**

CAUTION: TO REDUCE THE RISK OF ELECTRIC SHOCK, DO NOT REMOVE COVER (OR BACK). NO USER-SERVICEABLE PARTS INSIDE. REFER SERVICING TO QUALIFIED SERVICE PERSONNEL.



This lightning flash with arrowhead symbol within an equilateral triangle is intended to alert the user to the presence of non-insulated "dangerous voltage" within the product's enclosure that may be of sufficient magnitude to constitute a risk of electric shock.



The exclamation point within an equilateral triangle is intended to alert the user to the presence of important operating and maintenance instructions in the literature accompanying the appliance.

WARNING

TO PREVENT FIRE OR SHOCK HAZARD. DO NOT USE THIS PLUG WITH AN EXTENSION CORD, RECEPTACLE OR OTHER OUTLET UNLESS THE BLADES CAN BE FULLY INSERTED TO PREVENT BLADE EXPOSURE. TO PREVENT FIRE OR SHOCK HAZARD. DO NOT EXPOSE THIS APPLIANCE TO RAIN OR MOISTURE. TO PREVENT ELECTRICAL SHOCK, MATCH WIDE BLADE PLUG TO WIDE SLOT AND FULLY INSERT.

THIS DEVICE COMPLIES WITH PART 15 OF THE FCC RULES CLASS B. OPERATION IS SUBJECT TO THE FOLLOWING TWO CONDITIONS:
(1) THIS DEVICE MUST NOT CAUSE HARMFUL INTERFERENCE, AND
(2) THIS DEVICE MUST ACCEPT ANY INTERFERENCE RECEIVED INCLUDING INTERFERENCE THAT MAY CAUSE UNDESIRE OPERATION. SUITABLE FOR HOME OR OFFICE USE.



If you want to dispose this product, do not mix it with general household waste. There is a separate collection system for used electronic products in accordance with legislation that requires proper treatment, recovery and recycling.

Private household in the 28 member states of the EU, in Switzerland and Norway may return their used electronic products free of charge to designated collection facilities or to a retailer (if you purchase a similar new one).

For Countries not mentioned above, please contact your local authorities for a correct method of disposal. By doing so you will ensure that your disposed product undergoes the necessary treatment, recovery and recycling and thus prevent potential negative effects on the environment and human health.

Important Safety Information

1. Read these instructions.
2. Keep these instructions.
3. Heed all warnings.
4. Follow all instructions.
5. Do not use this apparatus near water.
6. Clean only with dry cloth.
7. Do not block any ventilation openings. Install in accordance with the manufacturer's instructions.
8. Do not install near any heat sources such as radiators, heat registers, stoves, or other apparatus (including amplifiers) that produce heat.
9. Do not defeat the safety purpose of the polarized or grounding type plug. A polarized plug has two blades with one wider than the other. A grounding type plug has two blades and a third grounding prong. The wide blade or the third prong are provided for your safety. If the provided plug does not fit into your outlet, consult an electrician for replacement of the obsolete outlet.
10. Protect the power cord from being walked on or pinched particularly at the plugs, convenience receptacles, and at the point where they exit from the apparatus.
11. Only use attachments/accessories specified by the manufacturer.
12. Use only with the cart, stand, tripod, bracket, or table specified by the manufacturer, or sold with the apparatus. When a cart is used, use caution when moving the cart/apparatus combination to avoid injury from tip-over.
13. Unplug the apparatus during lightning storms, or when unused for long periods of time.
14. Refer all servicing to qualified personnel. Service is required when the apparatus has been damaged in any way, such as power supply cord or plug is damaged, liquid has been spilled or objects have fallen into the apparatus has been exposed to rain or moisture, does not operate normally, or has been dropped.
15. This appliance shall not be exposed to dripping or splashing water and that no object filled with liquid such as vases shall be placed on the apparatus.
16. Caution-to prevent electrical shock, match wide blade plug wide slot fully insert.
17. Please keep a good ventilation environment around the entire unit.
18. The direct plug-in adapter is used as disconnect device, the disconnect device shall remain readily operable.
19. Batteries (battery pack or batteries installed) shall not be exposed to excessive heat such as sunshine, fire or the like.



S3122A

Specifications

System

Working Range	300' (100m) line of sight
Audio Frequency Response	50 Hz - 15 kHz
T.H.D. (Overall)	<1% (@AF 1 kHz, RF 46 dBu)
Dynamic Range	>100 dB A-weighted
Signal to Noise	>85 dB
Operating Temperature	-10°C (14°F) to +60°C (+140°F)
Tone Key Frequency	32.768 kHz

CB288 Belt pack Transmitter

Input Connector	Mini-XLR (P3)
Input Impedance	1MΩ
Input Gain Range	38 dB
RF Power	10 mW EIRP
Power Requirements	Two AA (LR6) alkaline batteries
Battery Life	8 hours
Dimensions (HxLxD)	3.75" x 2.44" x 0.75" 96mm x 62mm x 18.5mm
Weight	0.2 lb / 93 g

CH288 Handheld Transmitter

Microphone Element	Q6 Dynamic
Input Gain Range	28 dB
RF Power	10 mW EIRP
Power Requirements	Two AA (LR6) alkaline batteries
Battery Life	8 hours
Dimensions (HxØ)	10.23" x 2.1" 260mm x 54mm
Weight	0.48 lb / 218 g

CR288 Receiver

Audio Output Level - Mix Unbalanced	+14 dBu
Audio Output Level - Balanced	+14 dBu
Audio Output Impedance - Unbalanced	1k Ohms
Audio Output Impedance - Balanced	470 Ohms
Sensitivity	-100 dBm / 20 dB sinad
Image Rejection	>50 dB
Operating Voltage	15 VDC 300mA
Dimensions (LxWxH)	8.25" x 4.9" x 1.75" 210mm x 125mm x 44mm
Weight	0.99 lb / 450 g

At Samson, we are continually improving our products, therefore specifications and images are subject to change without notice.

Troubleshooting

Issue	Solutions
No Audio	Make sure that the transmitter and receiver are both powered on.
	Ensure the transmitter's batteries are installed correctly.
	Check that the transmitter is not muted.
	Confirm that the CR288 adaptor is correctly connected and plugged into an electrical outlet.
	Make sure the CR288 is powered on.
	Make sure the CR288 audio output connections are securely connected.
	Ensure that the receiver and transmitter are in line of sight with one another.
	Check the receiver and audio input device level controls.
	Ensure that the transmitter and receiver are set to the same operating channel. If unsure, reset the channel by performing an IR set.
Distorted Audio	The receiver output level or audio input device level may be too high.
	Check the transmitters batteries, and replace if low.
	The input gain on the transmitter (CB288) or audio source level may be too high.
Audio Dropout	The transmitter may be too far away from the receiver. Move it closer to the receiver, or reposition the antennas.
	Remove any sources that may cause RF interference such as cell phones, cordless phones, lighting equipment, computers, metal structures, etc.
Receiver will not power on	Check the adaptor to ensure it is properly connected and plugged into an outlet providing power.
Transmitter will not power on (LED lights RED)	Replace the transmitter batteries.
Unwanted noise or interference	If using multiple systems, make sure none of the systems are operating on the same channel. If the problem persists, change one or all of the systems channels.

Table of Contents

Introduction	6
System Features.	7
System Components	7
CR288 Receiver Callouts	8
CB288 Belt Pack Transmitter	10
CH288 Handheld Transmitter	12
Quick Start	13
Rack Mounting	17
Concert 288 Channel Plans	18
Troubleshooting	19
Specifications.	20

Introduction

Congratulations on purchasing the Samson Concert 288 dual channel wireless system. The Concert 288 is the ideal solution for the any application requiring two wireless microphones. Featuring simple operation, with 16 available channels per receiver and infrared set for the transmitter channel, the Concert 288 can quickly be up and running out of the box. The Concert 288 system ensures clear, interruption-free performance by combining tone-key with auto-mute. This configuration allows only the transmitter's audio to pass through the receiver, and mutes the output if there is any interference.

The Concert 288 comes in four configurations. The dual handheld system includes two CH288 handheld transmitters with Q6 dynamic microphone capsule. The Pro Combo system has one CH288 handheld transmitter plus a CB288 belt pack transmitter and the Samson SE10 earset microphone. The All-In-One Combo system includes one CH288 handheld transmitter, one CB288 belt pack transmitter, one HS5 headset microphone and one LM5 lavalier microphone. The Presentation System includes two CB288 belt pack transmitters, two HS5 headset microphones and two LM5 lavalier microphones. For travel or permanent installation, the Concert 288 includes a standard 19" rackmount kit.

In these pages, you'll find a detailed description of the features of the Concert 288 wireless system, as well as a guided tour through its control panel, step-by-step instructions for its setup and use, and full specifications. If your wireless system was purchased in the United States, you'll also find a warranty card enclosed—don't forget to fill it out and mail it in so that you can receive online technical support and so that we can send you updated information about this and other Samson products in the future. Also, be sure to check out our website (www.samsontech.com) for complete information about our full product line.

We recommend you keep the following records for reference, as well as a copy of your sales receipt.

Receiver Serial number: _____

Transmitter Serial number: _____

Date of purchase: _____

Dealer name: _____

With proper care and maintenance, your Concert 288 wireless system will operate trouble-free for many years. Should your wireless system ever require servicing, a Return Authorization (RA) number must be obtained before shipping your unit to Samson. Without this number, the unit will not be accepted. Please call Samson at 1-800-3SAMSON (1-800-372-6766) for an RA number prior to shipping your unit. Please retain the original packing materials and, if possible, return the unit in its original carton. If your Concert 288 system was purchased outside of the United States, contact your local distributor for warranty details and service information.

Concert 288 Channel Plans

Group J* 606–654 MHz			
CH A	Freq	CH B	Freq
0	606.125	0	630.125
1	607.625	1	631.625
2	609.050	2	633.050
3	610.425	3	634.425
4	610.900	4	634.900
5	613.525	5	637.525
6	615.100	6	639.100
7	616.475	7	640.475
8	618.000	8	642.000
9	620.075	9	644.075
A	622.975	A	646.975
B	623.975	B	647.975
C	625.050	C	649.050
D	626.975	D	650.975
E	628.425	E	652.425
F	629.975	F	653.975

** Not for use in the USA and Canada. For questions regarding available channels in your area contact your local Samson distributor.*

Concert 288 Channel Plans

Group H 470–518 MHz				Group I 518–566 MHz			
CH A	Freq	CH B	Freq	CH A	Freq	CH B	Freq
0	470.125	0	494.125	0	518.125	0	542.125
1	471.625	1	495.625	1	519.625	1	543.625
2	473.050	2	497.050	2	521.050	2	545.050
3	474.425	3	498.425	3	522.425	3	546.425
4	474.900	4	498.900	4	522.900	4	546.900
5	477.525	5	501.525	5	525.525	5	549.525
6	479.100	6	503.100	6	527.100	6	551.100
7	480.475	7	504.475	7	528.475	7	552.475
8	482.000	8	506.000	8	530.000	8	554.000
9	484.075	9	508.075	9	532.075	9	556.075
A	486.975	A	510.975	A	534.975	A	558.975
B	487.975	B	511.975	B	535.975	B	559.975
C	489.050	C	513.050	C	537.050	C	561.050
D	490.975	D	514.975	D	538.975	D	562.975
E	492.425	E	516.425	E	540.425	E	564.425
F	493.975	F	517.975	F	541.975	F	565.975

System Features

- Professional wireless system for use in both live sound and sound contracting applications
- True diversity technology maximizes active range (up to 300 feet) and reduces potential interference
- 16 available channels per receiver operating in the UHF band designed for maximum system compatibility in the same location without interference
- The CR288 receiver is a half-rack unit that can be used freestanding or can be mounted in any standard 19" rack using the included rack kit, making it easy to integrate into any traveling or fixed installation audio system
- Tone-key and auto-mute ensures clear, interruption-free performance allowing only the transmitter's audio to pass through the receiver, and mutes the output if there is any interference
- Up to 300-foot range (line-of-sight)
- Up to eight hours of battery life, using two standard AA batteries

System Components

All systems

CR288 receiver
 Power Supply
 ¼" to ¼" audio cable
 Rack mount accessories
 Owner's Manual

Dual Handheld system

CH288 handheld transmitter with Q6 dynamic microphone capsule

Pro Combo System system

CH288 handheld transmitter with Q6 dynamic microphone capsule
 CB288 belt pack transmitter
 SE10 earset microphone with mini-XLR connector

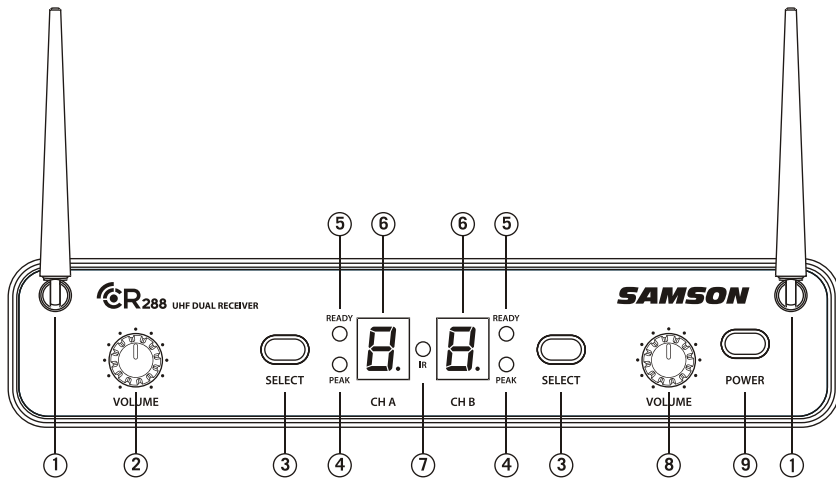
All-In-One Combo System system

CH288 handheld transmitter with Q6 dynamic microphone capsule
 CB288 belt pack transmitter
 Two LM5 lavalier microphone with mini-XLR connector
 Two HS5 headset microphone with mini-XLR connector

Presentation System

Two CB288 belt pack transmitters
 Two LM5 lavalier microphone with mini-XLR connector
 Two HS5 headset microphone with mini-XLR connector

CR288 Receiver Callouts

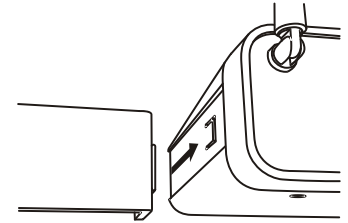


1. **Antennas** - The antenna mountings allow full rotation for optimum placement. In normal operation, both antennas should be placed in a vertical position. Both antennas can be folded inward for convenience when transporting the CR288.
2. **VOLUME Control (CH A)** - This knob sets the level of the audio signal being output through the CH A output jacks on the rear panel. Reference level is obtained when the knob is turned fully clockwise (to its "10" setting).
3. **SELECT Button** - Press this button to cycle through the each receiver's operating channels. Press and hold this button to send the channel information to the transmitter via infrared transmission.
4. **PEAK Indicator** - This indicator lights red when the corresponding transmitted audio signal is overloaded.
5. **READY Indicator** - This indicator lights green when the corresponding receiver channel is receiving RF signal and the system is ready to use.
6. **LED Display** - The 7-segment LED display shows each receiver's current operating channel. The channels are indicated by 0-9 and A-F.
7. **IR Transmitter** - During "IR SET" an infrared light is used to set the transmitter channel.
8. **VOLUME Control (CH B)** - This knob sets the level of the audio signal being output through the CH B output jacks on the rear panel. Reference level is obtained when the knob is turned fully clockwise (to its "10" setting).
9. **POWER Switch** - Use this to turn the CR288 power on and off.

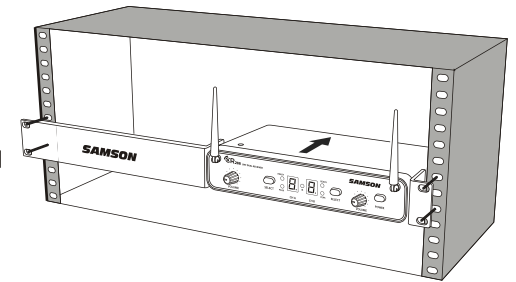
Rack Mounting

The CR288 receiver can be installed into a standard 19" rack for transport or permanent installation using the included rack ears. Follow the simple steps below to mount the CR288:

Attach the included rack ears by sliding each rack ear into the groove on either side of the CR288 until they lock into place, and the receiver flush with the front panel.

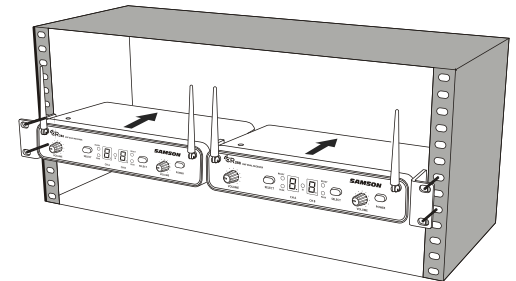


Position the CR288 receiver into an available rack space and slide in until the rack ears are touching the rails of the rack case and are aligned with the rack rail holes.



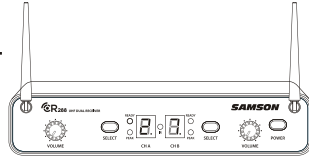
Mount the receiver into the rack using the appropriate size rack screws (not included). To ensure equal tension and balance when installing the receiver, you should secure screws in a crisscross pattern of opposite corners: top left -> bottom right -> top right -> bottom left.

In order to mount two CR288 receivers in one rack space, the system includes a center connection piece. Slide the center connection piece into the groove of each receiver, secure using the included screws, and attach the short rack ears to each receiver. Mount the receivers into the rack using the crisscross pattern described above.

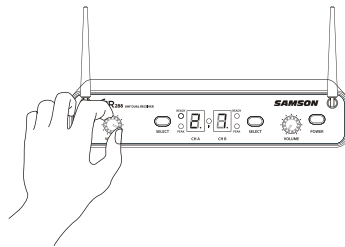


Quick Start

When the transmission is complete, the CR288 will receive RF signal and the tone key from the transmitter. The CH A READY indicator will light on the front panel of the CR288 receiver. Repeat these steps for the CH B transmitter and receiver. CH A and CH B available frequency channels do not overlap, so you can set the two receivers to the same channel number or letter.



Turn on your connected amplifier or mixer, but keep the volume all the way down. Set the Volume knob on the CR288 fully clockwise (to its "10" setting). This is unity gain.

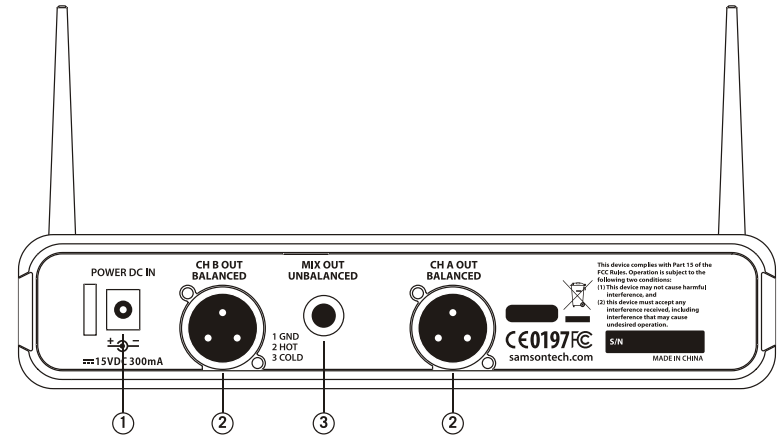


Speak or sing into the microphone. Slowly raise the volume of your amplifier or mixer until the desired level is reached.

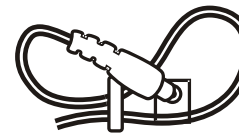
If you find the system has noticeable dropouts, reduced overall working range, or unexpected noise bursts, change the operating channel of the system using the steps above.

When using multiple systems in the same frequency band, each system must be set to a different operating channel. (See "Concert 288 Channel Plans" on page 18).

CR288 Receiver Callouts

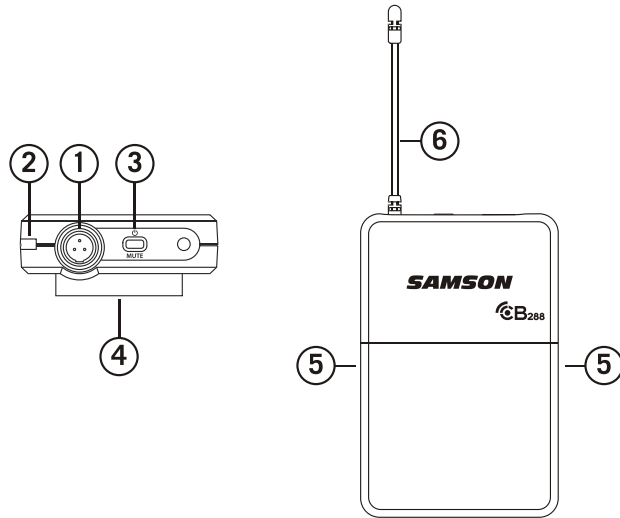


- 1. DC Input** - Connect the supplied power adapter here, using the strain relief as shown in the illustration below. **WARNING:** Do not substitute any other kind of power adapter. Doing so can cause severe damage to the CR288 and will void your warranty.
- 2. BALANCED OUTPUT** - Use this electronically balanced low impedance (600 Ohm) XLR jack when connecting the CR288 to professional (+4dBu) audio equipment. Pin wiring is as follows: Pin 1 ground, Pin 2 high (hot), and Pin 3 low (cold).
- 3. MIX OUT UNBALANCED** - Use this unbalanced high impedance (5K Ohm) 1/4" jack when connecting the CR288 to consumer (-10dBV) audio equipment. The jack will carry the combined signal from receiver CH A and B. Wiring is as follows: pin hot, sleeve ground.



Using the strain relief: Gather up a loop of wire and pass it through the strain relief, then pass the adapter plug through the loop in order to create a knot.

CB288 Belt Pack Transmitter

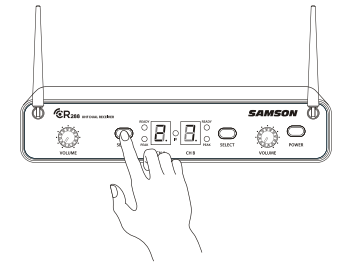


1. **Input Connector** - Connect the input device via the mini-XLR connector. The CB288 is supplied with either a lavalier, headset microphone or 1/4" instrument cable.
2. **Status Indicator** - This LED displays the operation mode:

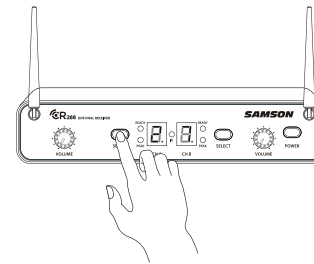
GREEN	Normal Operation
RED	Mute
Flashing GREEN	Low Battery
3. **Power/Mute Switch** - Press and hold to turn the unit on or off. Press and release to mute or unmute the transmitter.
4. **Belt Clip** - Use this clip to fasten the CB288 transmitter to a belt or guitar strap.
5. **Battery Cover Release** - Push in both sides and pull back to open the CB288 battery cover.
6. **Antenna** - This permanently attached transmitter antenna should be fully extended during normal operation.

Quick Start

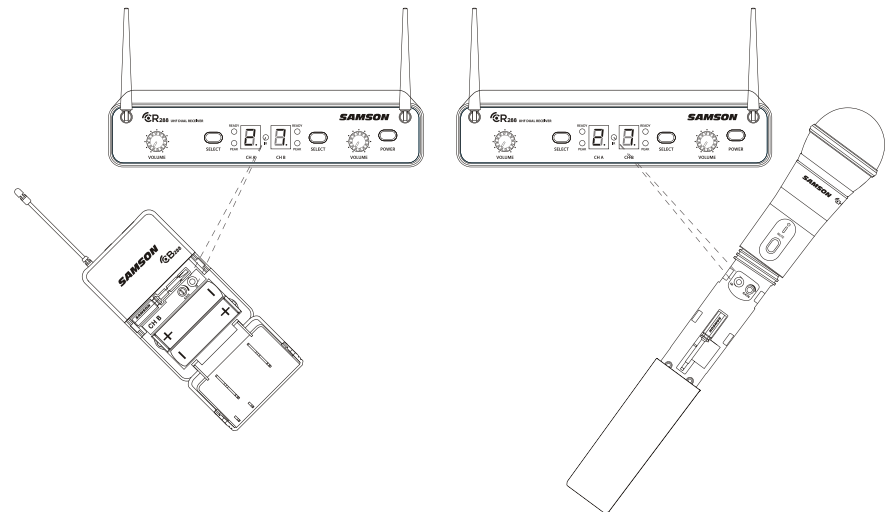
Press the CH A SELECT button on the front of the CR288 to choose an available channel for the CH A receiver. The channel number will increase by one digit, from 0-9 then A-F. Once the last channel has been reached, the count will cycle back to 0.



Position the transmitter about 6-12" (15-30 cm) from the front of the CR288 with the transmitter's IR window facing the IR transmitter on the front panel of the CR288 receiver.

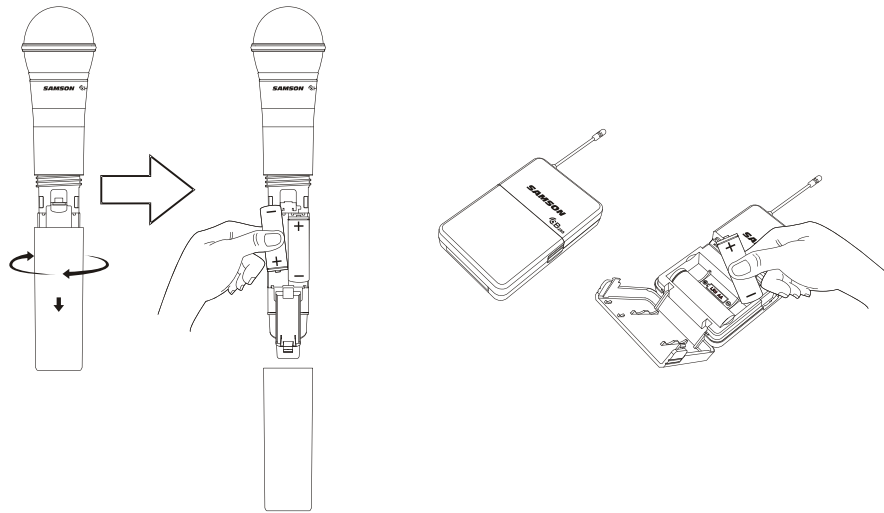


Press and hold the CR288 CH A SELECT button to set the transmitter to the same channel as the receiver via infrared transmission

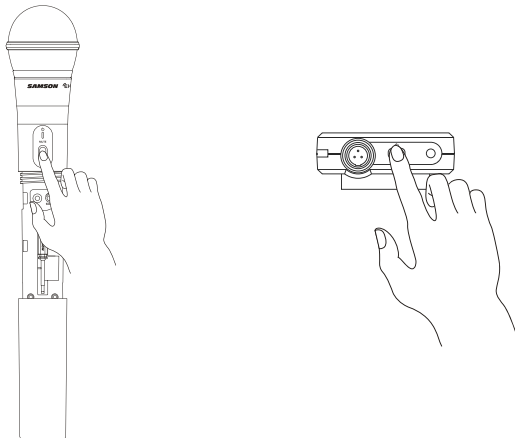


Quick Start

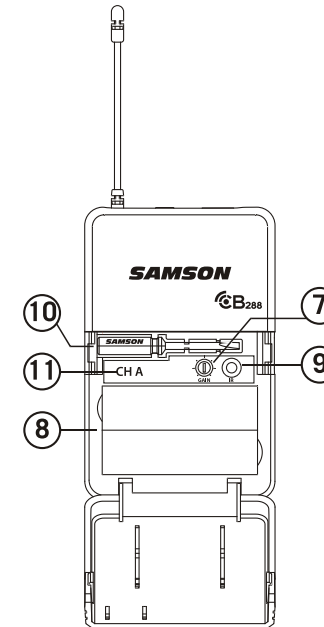
With the transmitter powered off, install two fresh AA batteries into the CB288 belt pack or CH288 handheld transmitter. Leave the battery compartment open.



Turn on the power to the transmitter by pressing and holding Power switch; the indicator LED will light green.



CB288 Belt Pack Transmitter



- 7. Input GAIN Control** - This control adjusts the transmitter input sensitivity to work with microphone and instruments inputs. For optimal performance, using the included screwdriver, set the input GAIN control to where you see the CR288 PEAK indicator start to light under high levels, then turn down slowly until the PEAK light stops lighting.
- 8. Battery Holder** - Insert two standard AA (LR6) batteries here, being sure to observe the plus and minus polarity markings shown. Although rechargeable Ni-Cad batteries can be used, they do not supply adequate current for more than four hours. **WARNING:** Do not insert the batteries backwards; doing so can cause severe damage to the CB288 and will void your warranty.
- 9. IR Lens** - This window is used to capture the infrared signal sent from the CR288 during the IR SET to channelize the transmitter.
- 10. Screwdriver** - Designed for use in adjusting the CB288 input GAIN control (See #7 Input GAIN Control).
- 11. Channel Designation** - Identifies the receiver channel that the belt pack syncs and transmits with.

CH288 Handheld Transmitter

1. **Status Indicator** - This LED displays the operation mode:

GREEN	Normal Operation
RED	Mute
Flashing GREEN	Low Battery

2. **Power/Mute Switch** - Press and hold to turn the unit on or off. Press and release to mute or unmute the transmitter.

3. **Battery Cover** - Unscrew the battery cover and slide down to open the CH288 battery compartment.

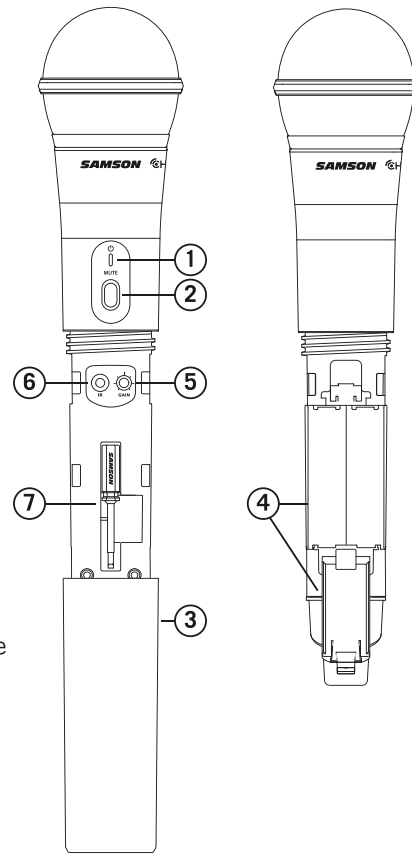
4. **Battery Holder** - Open the battery holder by pressing the tab and lifting the cover. Insert two standard AA (LR6) batteries here, being sure to observe the plus and minus polarity markings shown. Although rechargeable Ni-Cad batteries can be used, they do not supply adequate current for more than four hours.
WARNING: Do not insert the batteries backwards; doing so can cause severe damage to the CH288 and will void your warranty.

5. **Input GAIN Control** - This control adjusts the transmitter input sensitivity. For optimal performance, using the included screwdriver, set the input GAIN control to where you see the CR288 PEAK indicator start to light under high levels, then turn down until the PEAK light stops lighting.

6. **IR Lens** - This window is used to capture the infrared signal sent from the CR288 during the IR SET to channelize the transmitter. The battery cover must be open and the IR Lens facing towards the receiver to load the selected channel.

7. **Plastic Screwdriver** - Designed for use in adjusting the CB288 input GAIN control (See #5 Input GAIN Control HH).

Note: The CH288 antenna cover and grill band have been color coded to easily identify its corresponding receiver channel:
 CH A - Black antenna cover and black grill band
 CH B - Silver antenna cover and silver grill band



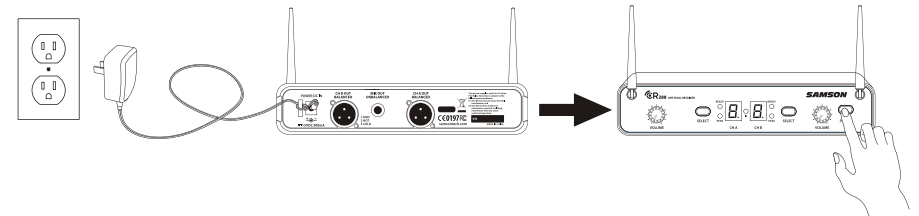
Quick Start

In order for your wireless system to work correctly, both the receiver and transmitter must be set to the same channel.

Follow this basic procedure for setting up and using your Concert 288 wireless system:

Physically place the CR288 receiver where it will be used, and extend the antennas vertically. The general rule of thumb is to maintain "line of sight" between the receiver and transmitter so that the person using or wearing the transmitter can see the receiver.

With the CR288 powered off, connect the included power adapter. Turn the CR288 on momentarily to confirm that the unit is receiving power. You'll see the LED display light up. Then turn the CR288 power off.



With your amplifier or mixer off and volume control all the way down, connect the CR288 receiver mix output jack to the line level input of a mixer or amplifier. Turn the Level knob on the CR288 completely counterclockwise, then turn its power on.

