

 **CONCERT99**

FREQUENCY-AGILE UHF
WIRELESS SYSTEM



Samson Technologies Corp.
45 Gilpin Avenue
Hauppauge, New York 11788-8816
Phone: 1-800-3-SAMSON (1-800-372-6766)
Fax: 631-784-2201
www.samsontech.com
NF04544-1.1

OWNER'S MANUAL

SAMSON®

Copyright 2015 - Samson Technologies
V1.3

Samson Technologies
45 Gilpin Avenue
Hauppauge, New York 11788-8816
Phone: 1-800-3-SAMSON (1-800-372-6766)
Fax: 631-784-2201
www.samsontech.com

R&TTE Declaration of Conformity

In accordance with EN ISO 17050:2005

We, Samson Technologies Corporation, located at 45 Gilpin Ave, Hauppauge, NY 11788 USA declare under our own responsibility that the products:

Product Name: Concert 99 Wireless Microphone

Trade Name: Samson

Type or Model: CR99 (Receiver), CH99 (Handheld Transmitter), CB99 (Belt Pack Transmitter)

are in conformity with the essential requirements of the following EC Directive(s) when installed in accordance with the installation instructions contained in the product documentation:

2006/95/EC - LVD Directive

2004/108/EC - EMC Directive

1999/5/EC - R&TTE Directive

The product is in conformity with the following standards and/or other normative documents:

EN60065:2014

Audio, video and similar electronic apparatus - Safety requirements

EN301 489-1 V1.9.1

Common technical requirements.

EN301 489-9 V1.4.1

Specific conditions for wireless microphones, similar Radio Frequency (RF) audio link equipment, cordless audio and in-ear monitoring.

EN300 422-1 V1.5.1

Technical characteristics and methods.

EN300 422-2 V1.4.1

Harmonized EN covering essential requirements of article 3.2 of the R&TTE directive

EN62479:2010

Harmonized EN covering essential requirements of article 3.1a of the R&TTE directive

Year of CE Marking (Low Voltage Directive): 2015

Identification Mark: **0197** (Notified body number)

This equipment will also carry the Class 2 equipment identifier:

Signed on behalf of the manufacturer:

Authorized Representative:

Position:

Date:



Douglas Bryant

Vice President Engineering

12/5/2015

CE 0197

Hereby, Samson Technologies Corp., declares that this CR99, CH99, CB99 is in compliance with the essential requirements and other relevant provisions of Directive 1999/5/EC. The declaration of conformity may be consulted at:

www.samsontech.com/samson/products/wireless-systems/concert-99/concert99hh/#downloads-and-manuals-tab

Important Safety Information

1. Read these instructions.
2. Keep these instructions.
3. Heed all warnings.
4. Follow all instructions.
5. Do not use this apparatus near water.
6. Clean only with dry cloth.
7. Do not block any ventilation openings. Install in accordance with the manufacturer's instructions.
8. Do not install near any heat sources such as radiators, heat registers, stoves, or other apparatus (including amplifiers) that produce heat.
9. Do not defeat the safety purpose of the polarized or grounding type plug. A polarized plug has two blades with one wider than the other. A grounding type plug has two blades and a third grounding prong. The wide blade or the third prong are provided for your safety. If the provided plug does not fit into your outlet, consult an electrician for replacement of the obsolete outlet.
10. Protect the power cord from being walked on or pinched particularly at the plugs, convenience receptacles, and at the point where they exit from the apparatus.
11. Only use attachments/accessories specified by the manufacturer.
12. Use only with the cart, stand, tripod, bracket, or table specified by the manufacturer, or sold with the apparatus. When a cart is used, use caution when moving the cart/apparatus combination to avoid injury from tip-over.
13. Unplug the apparatus during lightening storms, or when unused for long periods of time.
14. Refer all servicing to qualified personnel. Service is required when the apparatus has been damaged in any way, such as power supply cord or plug is damaged, liquid has been spilled or objects have fallen into the apparatus has been exposed to rain or moisture, does not operate normally, or has been dropped.
15. This appliance shall not be exposed to dripping or splashing water and that no object filled with liquid such as vases shall be placed on the apparatus.
16. Caution-to prevent electrical shock, match wide blade plug wide slot fully insert.
17. Please keep a good ventilation environment around the entire unit.
18. The direct plug-in adapter is used as disconnect device, the disconnect device shall remain readily operable.
19. Batteries (battery pack or batteries installed) shall not be exposed to excessive heat such as sunshine, fire or the like.



CAUTION: TO REDUCE THE RISK OF ELECTRIC SHOCK, DO NOT REMOVE COVER (OR BACK). NO USER-SERVICEABLE PARTS INSIDE. REFER SERVICING TO QUALIFIED SERVICE PERSONNEL.

ATTENTION: RISQUE D'ÉLECTROCUTION! NE PAS OUVRIR!



This lightning flash with arrowhead symbol within an equilateral triangle is intended to alert the user to the presence of non-insulated "dangerous voltage" within the product's enclosure that may be of sufficient magnitude to constitute a risk of electric shock.



The exclamation point within an equilateral triangle is intended to alert the user to the presence of important operating and maintenance instructions in the literature accompanying the appliance.

WARNING: TO PREVENT FIRE OR SHOCK HAZARD. DO NOT USE THIS PLUG WITH AN EXTENSION CORD, RECEPTACLE OR OTHER OUTLET UNLESS THE BLADES CAN BE FULLY INSERTED TO PREVENT BLADE EXPOSURE. TO PREVENT FIRE OR SHOCK HAZARD. DO NOT EXPOSE THIS APPLIANCE TO RAIN OR MOISTURE. TO PREVENT ELECTRICAL SHOCK, MATCH WIDE BLADE PLUG TO WIDE SLOT AND FULLY INSERT.

Important Safety Information

FCC Rules and Regulations

Samson wireless receivers are certified under FCC Rules part 15 and transmitters are certified under FCC Rules part 74.

Licensing of Samson equipment is the user's responsibility and licensability depends on the user's classification, application and frequency selected.

NOTE: This equipment has been tested and found to comply with the limits for a Class B digital device, pursuant to Part 15 of the FCC Rules. These limits are designed to provide reasonable protection against harmful interference in a residential installation. This equipment generates, uses and can radiate radio frequency energy and, if not installed and used in accordance with the instructions, may cause harmful interference to radio communications. However, there is no guarantee that interference will not occur in a particular installation. If this equipment does cause harmful interference to radio or television reception, which can be determined by turning the equipment off and on, the user is encouraged to try to correct the interference by one or more of the following measures:

- Reorient or relocate the receiving antenna.
- Increase the separation between the equipment and receiver.
- Connect the equipment into an outlet on a circuit different from that to which the receiver is connected.
- Consult the dealer or an experienced Radio/TV technician for help.

WARNING: Changes or modifications not expressly approved by the party responsible for compliance could void the user's authority to operate the equipment.

This device complies with RSS-210 of Industry & Science Canada. Operation is subject to the following two conditions:

- (1) this device may not cause harmful interference and
- (2) this device must accept any interference received, including interference that may cause undesired operation.

This equipment is intended for use in wireless microphone applications.

Equipment is intended for sale in: AT, BE, CH, CY, CZ*, DK, EE, FI*, FR*, DE*, GR*, HU, IE, IS, IT, LV, LT*, LU, MT*, NL, NO*, PL* PT, RO, SK, SI, ES, SE, UK

*Subject to license. Please contact your national frequency authority for information on available legal use in your area. Any changes or modifications not expressly approved by Samson Technologies Corp. could void your authority to operate the equipment.



If you want to dispose this product, do not mix it with general household waste. There is a separate collection system for used electronic products in accordance with legislation that requires proper treatment, recovery and recycling.

Private household in the 28 member states of the EU, in Switzerland and Norway may return their used electronic products free of charge to designated collection facilities or to a retailer (if you purchase a similar new one).

For Countries not mentioned above, please contact your local authorities for a correct method of disposal.

By doing so you will ensure that your disposed product undergoes the necessary treatment, recovery and recycling and thus prevent potential negative effects on the environment and human health.

Specifications

System

Working Range	300' (100m) line of sight
Audio Frequency Response	50 Hz - 15 kHz
T.H.D. (Overall)	<1% (@AF 1 kHz, RF 46 dBu)
Dynamic Range	>103 dB A-weighted
Signal to Noise	>90 dB
Operating Temperature	-10°C (14°F) to +60°C (+140°F)
Tone Key Frequency	35.000 kHz

CB99 Belt pack Transmitter

Input Connector	Mini-XLR (P3)
Input Impedance	1MΩ
Input Gain Range	38 dB
RF Power	10 mW EIRP
Power Requirements	Two AA (LR6) alkaline batteries
Battery Life	8 hours
Dimensions (HxLxD)	3.75" x 2.44" x 0.75" 96mm x 62mm x 18.5mm
Weight	0.2 lb / 93 g

CH99 Handheld Transmitter

Microphone Element	Dynamic
Input Gain Range	28 dB
RF Power	10 mW EIRP
Power Requirements	Two AA (LR6) alkaline batteries
Battery Life	8 hours
Dimensions (HxØ)	10.23" x 2.1" 260mm x 54mm
Weight	0.48 lb / 218 g

CR99 Receiver

Audio Output Level - Unbalanced	+14 dBu
Audio Output Level - Balanced	+9 dBu
Audio Output Impedance - Unbalanced	810 Ohms
Audio Output Impedance - Balanced	240 Ohms
Sensitivity	-100 dBm / 30 dB sinad
Image Rejection	>50 dB
Operating Voltage	15 VDC 200mA
Dimensions (LxWxH)	7.87" x 5.9" x 1.6" 200mm x 150mm x 42mm
Weight	2.08lb / 0.946kg

At Samson, we are continually improving our products, therefore specifications and images are subject to change without notice.

Troubleshooting

Issue	Solutions
No audio	Make sure that the transmitter and receiver are both powered on.
	Ensure the transmitter's batteries are installed correctly.
	Check that the transmitter is not muted.
	Confirm that the CR99 receiver adapter is correctly connected and plugged into an electrical outlet.
	Make sure the audio output cables are securely connected to the CR99 receiver.
	Ensure that the receiver and transmitter are in line of sight with one another.
	Check the receiver and audio input device level controls.
	Ensure that the transmitter and receiver are set to the same operating channel. If unsure, reset the channel by performing an IR set.
Distorted audio	The receiver output level or audio input device level may be too high.
	Check the transmitters batteries, and replace if low.
	The input gain on the transmitter or audio source level may be too high.
Audio dropout	The transmitter may be too far away from the receiver. Move it closer to the receiver, or reposition the antennas.
	Remove any sources that may cause RF interference such as cell phones, cordless phones, lighting equipment, computers, metal structures, etc.
	Move receiver to the top space of the equipment rack or place on top of equipment to ensure there are no obstructions blocking line of sight from the transmitter.
Receiver will not power on	Check the adapter to ensure it is properly connected and plugged into an outlet providing power.
Transmitter will not power on	Replace the transmitter batteries.
Unwanted noise or interference	If using multiple systems, make sure none of the systems are operating on the same channel. If the problem persists, change one or all of the systems channels.
	If using multiple systems, set all receivers to the same Group. Perform a channel scan within the Group to select the optimum Channels.

Introduction

Congratulations on purchasing the Samson Concert 99 wireless system. The Concert 99 is the ideal solution for the active performer who needs a reliable, great sounding system for wireless applications. Featuring an large backlit LCD display, simple operation with auto-scan channel selection, and infrared set for syncing the transmitter and receiver channel, the Concert 99 is simple and easy to set up and operate. The Concert 99 system ensures clear, interruption-free performance by utilizing a True RF Diversity design with a pilot tone-key and auto-mute function. This configuration provides maximum operating distance along with eliminating any background noise when the transmitter is out of range or powered off.

The Concert 99 comes in four configurations. The vocal handheld system includes the CH99 handheld transmitter with Samson's Q8 premium dynamic microphone capsule. The CB99 belt pack system can be configured with either the SE10 earset microphone, LM10 lavalier microphone, or a ¼" instrument cable. The Concert 99 includes a standard 19" rackmount kit for permanent installations or transporting in a mobile rack.

In these pages, you'll find a detailed description of the features of the Concert 99 wireless system, as well as step-by-step instructions for its setup and use. If your wireless system was purchased in the United States, you'll also find a registration card enclosed—don't forget to follow the instructions so that you can receive online technical support and so that we can send you updated information about this and other Samson products in the future. Also, be sure to check out our website www.samsontech.com for complete information about our full product line.

We recommend you keep the following records for reference, as well as a copy of your sales receipt:

Receiver Serial number: _____

Transmitter Serial number: _____

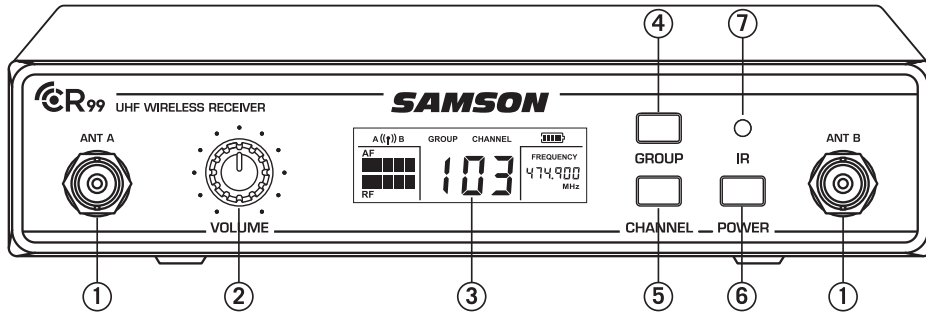
Date of purchase: _____

With proper care and maintenance, your Concert 99 wireless system will operate trouble-free for many years. Should your wireless system ever require servicing, a Return Authorization (RA) number must be obtained before shipping your unit to Samson. Without this number, the unit will not be accepted. Please call Samson at 1-800-3SAMSON (1-800-372-6766) for an RA number prior to shipping your unit. Please retain the original packing materials and, if possible, return the unit in its original carton. If your Concert 99 system was purchased outside of the United States, contact your local distributor for warranty details and service information.

System Features

- Professional wireless system for use in both live sound and sound contracting applications
- True RF Diversity technology maximizes active range (up to 300 feet) and reduces potential interference
- 80 available channels operating in the UHF band designed for maximum system compatibility in the same location without interference
- The CR99 receiver is a metal half-rack unit that can be used freestanding or can be mounted in any standard 19" rack using the included rack kit, making it easy to integrate into any traveling or fixed installation audio system
- Tone-key and auto-mute ensures clear, interruption-free performance allowing only the transmitter's audio to pass through the receiver, and mutes the output if the transmitter is powered off or out of range.
- Up to 300-foot range (line-of-sight)
- Up to eight hours of battery life, using two standard AA batteries

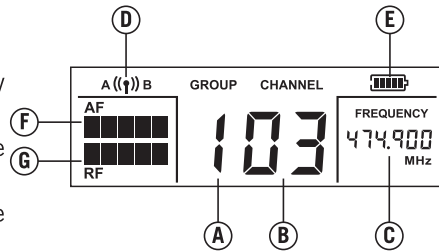
CR99 Receiver - Front Callouts



1. **Antenna Jacks** - The front BNC antenna jacks allow full rotation for optimum placement. In normal operation, both antennas should be placed in a vertical position.
2. **VOLUME Control** - This knob sets the level of the audio signal being output through both the balanced and unbalanced output jacks on the rear panel. Reference level is obtained when the knob is turned fully clockwise (to its "10" setting).
3. **LCD Display** - Displays transmitter and receiver settings.
4. **GROUP Button** - Press and release button to cycle through the available groups. Press and hold button to scan for available channels within the selected group.
5. **CHANNEL Button** - Press and release to cycle through available channels within a group. Press and hold button to enter IR Set which is used to set the operating channel of the transmitter.
6. **POWER Button** - Press and hold to turn the CR99 power on and off.
7. **IR Transmitter** - During "IR SET" an infrared light is used to set the transmitter channel.

Receiver Display

- A. **Group** - Displays the selected group
- B. **Channel** - Displays the selected channel
- C. **Frequency** - Indicates the operating frequency of the selected Group and Channel.
- D. **Antenna Indicator** - Indicates the active antenna (A or B).
- E. **Transmitter Battery Level** - Indicates the battery level of the transmitter.
- F. **Audio Meter** - Indicates the strength of the incoming audio signal.
- G. **RF Signal Meter** - Indicates the strength of the incoming radio signal.



Channel Plans

Group F* 606-630MHz								
Group	Channel							
	00	01	02	03	04	05	06	07
0	609.050	610.425	610.900	616.475	620.075	622.975	623.975	628.425
1	606.125	607.500	607.975	613.550	617.150	620.050	621.050	625.500
2	606.525	607.900	608.375	613.950	617.550	620.450	621.450	625.900
3	607.075	608.450	608.925	614.500	618.100	621.000	622.000	626.450
4	607.475	608.850	609.325	614.900	618.500	621.400	622.400	626.850
5	608.025	609.400	609.875	615.450	619.050	621.950	622.950	627.400
6	608.425	609.800	610.275	615.850	619.450	622.350	623.350	627.800
7	609.375	610.750	611.225	616.800	620.400	623.300	624.300	628.750
8	609.925	611.300	611.775	617.350	620.950	623.850	624.850	629.300
9	610.325	611.700	612.175	617.750	621.350	624.250	625.250	629.700

Group L* 823-832MHz								
Group	Channel							
	00	01	02	03	04	05	06	07
0	823.125	824.125	825.325	826.725	827.925	828.325	829.700	830.800
1	823.225	824.225	825.425	826.825	828.025	828.425	829.800	830.900
2	823.325	824.325	825.525	826.925	828.125	828.525	829.900	831.000
3	823.425	824.425	825.625	827.025	828.225	828.625	830.000	831.100
4	823.525	824.525	825.725	827.125	828.325	828.725	830.100	831.200
5	823.625	824.625	825.825	827.225	828.425	828.825	830.200	831.300
6	823.725	824.725	825.925	827.325	828.525	828.925	830.300	831.400
7	823.825	824.825	826.025	827.425	828.625	829.025	830.400	831.500
8	823.925	824.925	826.125	827.525	828.725	829.125	830.500	831.600
9	824.025	825.025	826.225	827.625	828.825	829.225	830.600	831.700

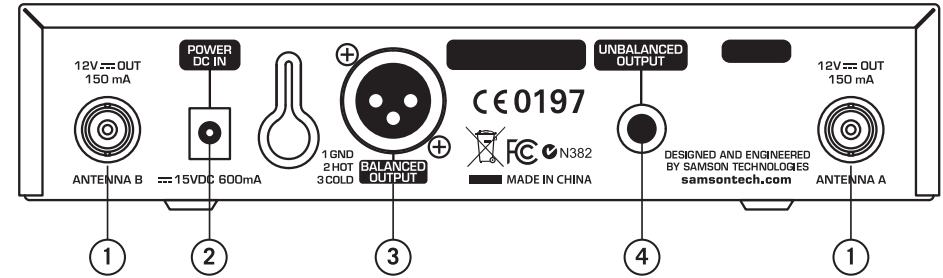
* Not for use in the USA and Canada. For questions regarding available channels in your area contact your local Samson distributor.

Channel Plans

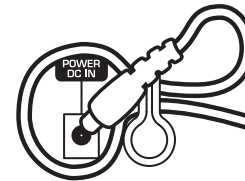
Group K 470–494MHz								
	Channel							
Group	00	01	02	03	04	05	06	07
0	473.050	474.425	474.900	480.475	484.075	486.975	487.975	492.425
1	470.125	471.500	471.975	477.550	481.150	484.050	485.050	489.500
2	470.525	471.900	472.375	477.950	481.550	484.450	485.450	489.900
3	471.075	472.450	472.925	478.500	482.100	485.000	486.000	490.450
4	471.475	472.850	473.325	478.900	482.500	485.400	486.400	490.850
5	472.025	473.400	473.875	479.450	483.050	485.950	486.950	491.400
6	472.425	473.800	474.275	479.850	483.450	486.350	487.350	491.800
7	473.375	474.750	475.225	480.800	484.400	487.300	488.300	492.750
8	473.925	475.300	475.775	481.350	484.950	487.850	488.850	493.300
9	474.325	475.700	476.175	481.750	485.350	488.250	489.250	493.700

Group D 542–566MHz								
	Channel							
Group	00	01	02	03	04	05	06	07
0	545.050	546.425	546.900	552.475	556.075	558.975	559.975	564.425
1	542.125	543.500	543.975	549.550	553.150	556.050	557.050	561.500
2	542.525	543.900	544.375	549.950	553.550	556.450	557.450	561.900
3	543.075	544.450	544.925	550.500	554.100	557.000	558.000	562.450
4	543.475	544.850	545.325	550.900	554.500	557.400	558.400	562.850
5	544.025	545.400	545.875	551.450	555.050	557.950	558.950	563.400
6	544.425	545.800	546.275	551.850	555.450	558.350	559.350	563.800
7	545.375	546.750	547.225	552.800	556.400	559.300	560.300	564.750
8	545.925	547.300	547.775	553.350	556.950	559.850	560.850	565.300
9	546.325	547.700	548.175	553.750	557.350	560.250	561.250	565.700

CR99 Receiver - Rear Callouts



- Antenna Jacks** - The rear BNC antenna jacks allow full rotation for optimum placement. In normal operation, both antennas should be placed in a vertical position.
- DC Input** - Connect the supplied power adapter here, using the strain relief as shown in the illustration below. **WARNING:** Do not substitute any other kind of power adapter. Doing so can cause severe damage to the CR99 and will void your warranty.
- BALANCED OUTPUT** - Use this electronically balanced low impedance (600 Ohm) XLR jack when connecting the CR99 to professional (+4dBu) audio equipment. Pin wiring is as follows: Pin 1 ground, Pin 2 high (hot), and Pin 3 low (cold).
- UNBALANCED OUTPUT** - Use this unbalanced high impedance (5K Ohm) ¼" jack when connecting the CR99 to consumer (-10dBV) audio equipment. Wiring is as follows: tip hot, sleeve ground.



Using the strain relief: Gather up a loop of wire and pass it through the strain relief, then pass the adapter plug through the loop in order to create a knot.

CB99 Belt Pack Transmitter - Callouts

1. **Input Connector** - Connect the input device via the mini-XLR connector. The CB99 is supplied with either a lavalier, headset microphone or 1/4" instrument cable.

2. **Status Indicator** - This LED displays the operation mode:

GREEN	Normal Operation
RED	Mute
Flashing GREEN	Low Battery

3. **Power/Mute Switch** - Press and hold to turn the unit on or off. Press and release to mute or unmute the transmitter.

4. **Belt Clip** - Use this clip to fasten the CB99 transmitter to a belt or guitar strap.

5. **Battery Cover Release** - Push in both sides and pull back to open the CB99 battery cover.

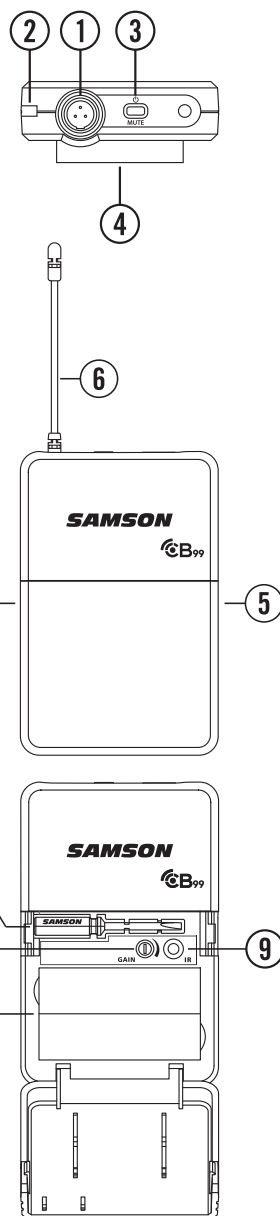
6. **Antenna** - This permanently attached transmitter antenna should be fully extended during normal operation.

7. **Input GAIN Control** - This control adjusts the transmitter input sensitivity to work with microphone and instruments inputs. For optimal performance, using the included screwdriver, set the input GAIN control to where you see the CR99 Audio Meter maximum indicator start to light under high levels, then turn down slowly until the maximum indicator stops lighting.

8. **Battery Holder** - Insert two standard AA (LR6) batteries here, being sure to observe the plus and minus polarity markings shown. Although rechargeable NiCad and NiMH batteries can be used, they do not supply adequate current for more than four hours. **WARNING:** Do not insert the batteries backwards; doing so can cause severe damage to the CB99 and will void your warranty.

9. **IR Lens** - This window is used to capture the infrared signal sent from the CR99 receiver during the IR SET to channelize the transmitter.

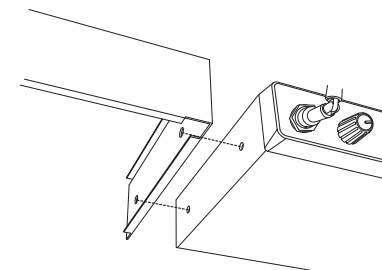
10. **Plastic Screwdriver** - Designed for use in adjusting the CB99 input GAIN (#7) control.



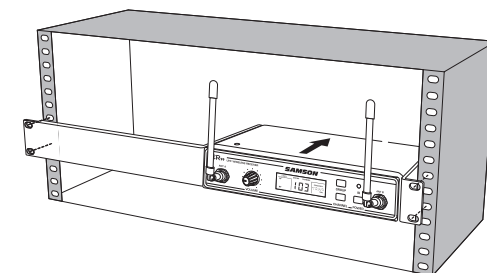
Rack Mounting

The CR99 receiver can be installed into a standard 19" rack for transport or permanent installation using the included rack ears. Follow the simple steps below to mount the CR99:

Attach the included rack ears by screwing each rack ear into either side of the CR99.

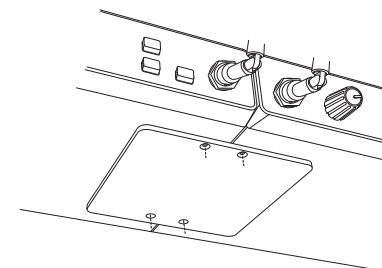


Position the CR99 receiver into an available rack space and slide in until the rack ears are touching the rails of the rack case and are aligned with the rack rail holes.

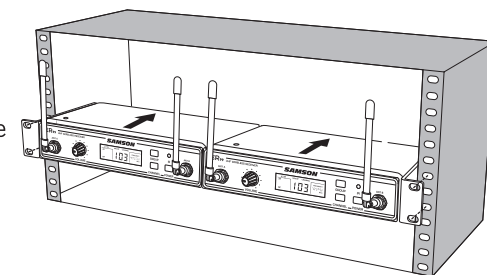


Mount the receiver into the rack using the appropriate size rack screws (not included). To ensure equal tension and balance when installing the receiver, you should secure screws in a crisscross pattern of opposite corners: top left -> bottom right -> top right -> bottom left.

In order to mount two CR99 receivers in one rack space, the system includes a center connection piece. Screw the center connection piece into bottom of each receiver and attach the short rack ears to each receiver.

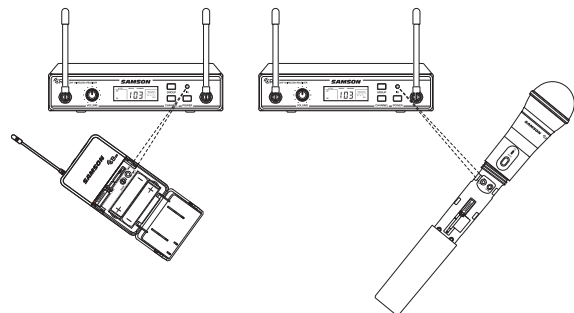


Mount the receivers into the rack using the crisscross pattern described above.



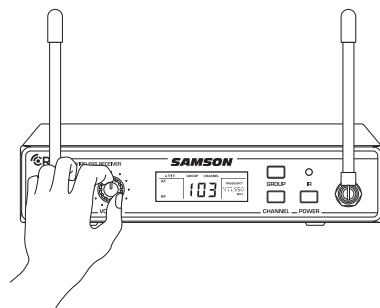
Quick Start

- Position the transmitter about 6-12" (15-30 cm) from the front of the CR99 with the transmitter's IR window facing the IR transmitter on the front panel of the CR99 receiver.



- When the transmission is complete, the CR99 will receive RF signal and the tone key from the transmitter. The RF meter on the CR99 will light indicating that it is receiving wireless signal from the transmitter.

- Turn on your connected amplifier or mixer, but keep the volume all the way down. Set the Volume knob on the CR99 fully clockwise (to its "10" setting). This is unity gain.



- Speak or sing into the microphone, or if you are using the transmitter with a connected instrument, play the instrument at normal performance level. Slowly raise the volume of your amplifier or mixer until the desired level is reached.
- Walk around the performance area to ensure the coverage is consistent throughout. If you find the system has noticeable dropouts, reduced overall working range, or unexpected noise bursts, change the operating channel of the system using the steps above.

When using multiple systems, each system must be set to a different operating channel. Set all additional transmitters and receivers to the same Group in order to maximize the number of compatible channels. When setting an additional transmitters, make sure to close all other transmitter battery compartments to ensure that the IR Lens is covered. Perform a channel scan for each transmitter to select the optimal channel.

CH99 Handheld Transmitter - Callouts

- Status Indicator** - This LED displays the operation mode:

GREEN	Normal Operation
RED	Mute
Flashing GREEN	Low Battery

- Power/Mute Switch** - Press and hold to turn the unit on or off. Press and release to mute or unmute the transmitter.

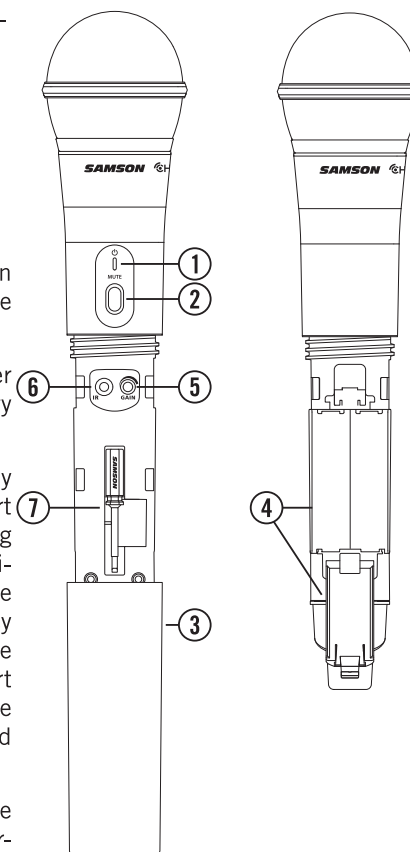
- Battery Cover** - Unscrew the battery cover and slide down to open the CH99 battery compartment.

- Battery Holder** - Open the battery holder by pressing the tab and lifting the cover. Insert two standard AA (LR6) batteries here, being sure to observe the plus and minus polarity markings shown. Although rechargeable NiCad and NiMH batteries can be used, they do not supply adequate current for more than four hours. **WARNING:** Do not insert the batteries backwards; doing so can cause severe damage to the CH99 and will void your warranty.

- Input GAIN Control** - This control adjusts the transmitter input sensitivity. For optimal performance, using the included screwdriver, set the input GAIN control to where you see the CR99 Audio Meter maximum indicator start to light under high levels, then turn down slowly until the maximum indicator stops lighting.

- IR Lens** - This window is used to capture the infrared signal sent from the CR99 during the IR SET to channelize the transmitter. The battery cover must be open and the IR Lens facing towards the receiver to load the selected channel.

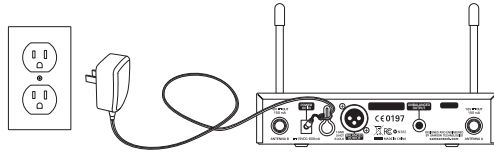
- Plastic Screwdriver** - Designed for use in adjusting the CB99 input GAIN control (See #5 Input GAIN Control HH).



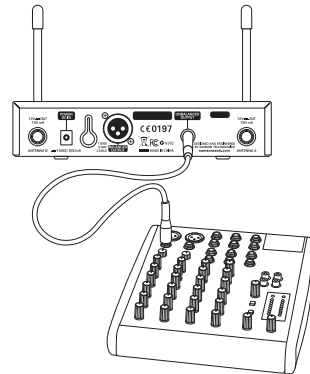
Quick Start

In order for your wireless system to work correctly, both the receiver and transmitter must be set to the same channel. Follow this basic procedure for setting up and using your Concert 99 wireless system:

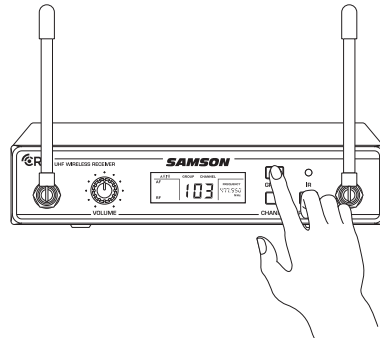
1. Physically place the CR99 receiver where it will be used, and extend the antennas vertically. The general rule of thumb is to maintain “line of sight” between the receiver and transmitter so that the person using or wearing the transmitter can see the receiver.
2. With the CR99 powered off, connect the included power adapter. Turn the CR99 on momentarily to confirm that the unit is receiving power. Then turn the CR99 power off.



3. With your amplifier or mixer off and volume control all the way down, connect the CR99 receiver output jack to the mic or line level input of a mixer or amplifier using the balanced XLR output or unbalanced ¼” line level output. Turn the Level knob on the CR99 completely counterclockwise, then turn its power on.

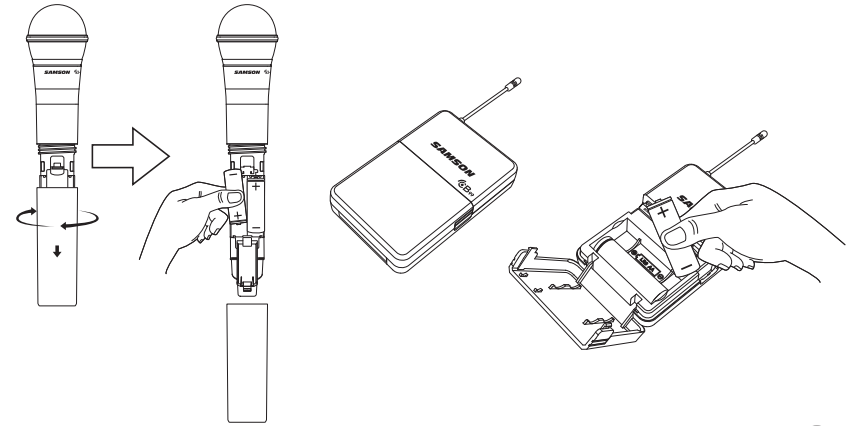


4. Press and hold the GROUP button on the front of the CR99 receiver to scan for an available channel within the selected group.

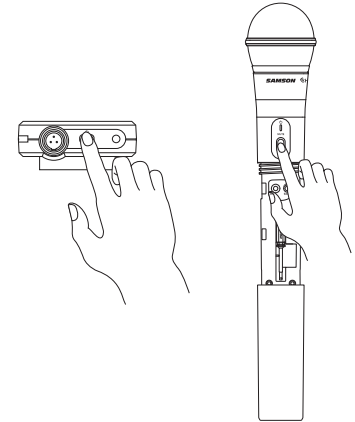


Quick Start

5. With the transmitter powered off, install two fresh AA batteries into the CB99 belt pack or CH99 handheld transmitter. Leave the battery compartment open.



6. Turn on the power to the transmitter by pressing and holding Power switch; the indicator LED will light green.



7. Press and hold the CR99 CHANNEL button to execute an IR Set which synchronizes the transmitter to the same channel as the receiver via infrared transmission.

