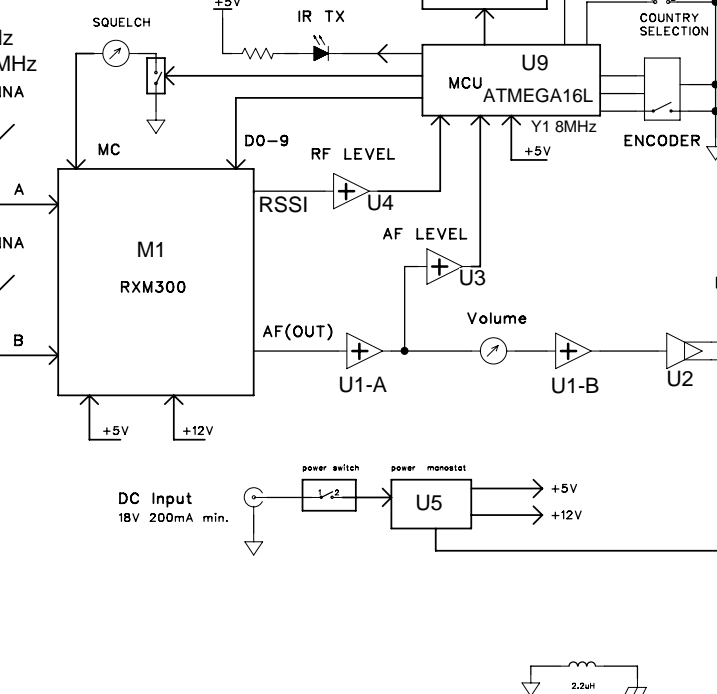


639.025MHz
to 647.000MHz

ANTENNA

ANTENNA

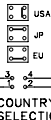


DC Input
18V 200mA min.

power switch

power monostat

2.2uH



COUNTRY SELECTION

ENCODER

BOOT-STRAP
MUTE

Line Out

-6dBu

Line / Mic

Line/Mic Out

-26dBu

COMPANY:

HOMNI ENTERPRISES CO.,LTD.

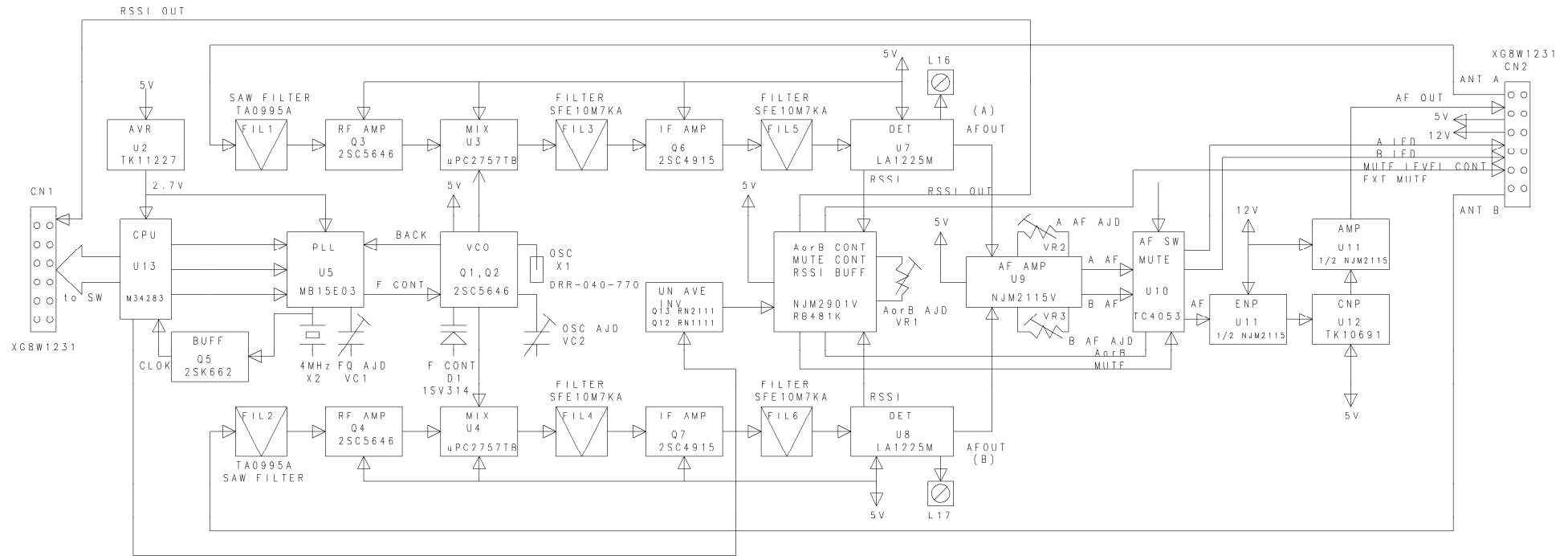
TITLE:

AR300

DRAWN: Zhang H	DATED: 2009.04.29	CHECKED:	DATED:	APPROVED:	DATED:
DWG NO.: PT-X-XXXX-XX	SCALE:	SIZE:A3	REV: V1.0	SHEET: 1	OF 1

M1 RXM300 RF module

MARK	DATE	MEMO	WR.	CH.



DESIGN T,Horiuchi	DATE 2009/ 01/ 22	SHEET A3 1 / 1	VER 1.0
DRAWN T,Horiuchi	TITLE RXM300 BLOCK DIAGRAM		DRAWING NO.
CHECK	NAME RX MODULE (N)Band		W067C01B02-00
APPROV.	CIRCUIT DESIGN,INC		