

# AirLine 77

## OWNERS MANUAL

### UHF WIRELESS SYSTEM

- AH1/ Transmitter
- CR77 Receiver



**SAMSON**<sup>®</sup>  
WIRELESS

AH1 TRANSMITTER

# Table of Contents

## *ENGLISH*

Introduction	3
QuickStart	4
Guided Tour - CR77 Receiver	6
Guided Tour - AH1 Transmitter	9
Setting Up and Using Your AirLine System	11
Specifications	47
Channel Plan	49

## *FRANCAIS*

Introduction	14
Prise en main	15
Visite guidée – Récepteur CR77	17
Visite guidée – Émetteur AH1	20
Configuration et utilisation des systèmes AirLine	22
Spécifications	47
Tableau de conversion de fréquence	49

## *DEUTSCHE*

Einleitung	25
Schneller Einstieg	26
Übersicht - Empfänger CR77	28
Übersicht - Sender AH1	31
Konfiguration und Betrieb der AirLine-Systeme	33
Technische Daten	47
Frequenzzuordnung der Empfangskanäle	49

## *ESPAÑOL*

Introducción	36
Arranque rápido	37
Recorrido guiado – Receptor CR77	39
Recorrido guiado – Transmisor AH1	42
Ajuste y uso de su sistema AirLine	44
Especificaciones	47
Tabla de conversión de frecuencias	49

Copyright 2011, Samson Technologies Corp.

V5

Samson Technologies Corp.

45 Gilpin Avenue

Hauppauge, New York 11788-8816

Phone: 1-800-3-SAMSON (1-800-372-6766)

Fax: 631-784-2201

[www.samsontech.com](http://www.samsontech.com)

Welcome to Samson AirLine—the wireless system for the new millenium! Wireless microphone and instrument systems were originally developed to eliminate cables, providing unparalleled freedom of movement. AirLine takes this concept to a new level with transmitters so small, lightweight and aerodynamic, they are nearly invisible, providing a completely “hassle-free” user experience. To create the world’s smallest wireless transmitters, we developed new proprietary technology. Featuring miniaturized circuitry and the ability to operate on a single tiny AAA battery (with 14 hours typical battery life), these transmitters also feature significantly improved wireless reception and sound quality.

Samson AirLine systems operate in the N, U and E bands UHF frequency range and contains a CR77 true diversity receiver (for professional performance applications). The AirLine UHF System combines a feather-light AH1 headset transmitter with a Samson Q Series headset microphone, ideal for fitness and performance applications. The AirLine UHF Wind Instrument System combines the AH1 with a Samson HM40 horn microphone. It is the first wireless system designed for brass and reed instruments that eliminates the need for a body pack and unwieldy microphone cables that limit your movement.

In this manual, you’ll find a more detailed description of the features of all AirLine systems, as well as a guided tour through all components, step-by-step instructions for setting up your system and full specifications. If your AirLine system was purchased in the United States, you’ll also find a warranty card enclosed—don’t forget to fill it out and mail it! This will enable you to receive online technical support and will allow us to send you updated information about this and other Samson products in the future. If your AirLine system was purchased outside of the U. S., contact your local distributor for warranty details. Also, be sure to check out our website (<http://www.samsontech.com>) for complete information about our full product line.

**SPECIAL NOTE for U.S. purchasers:** Should your AirLine system ever require servicing, a *Return Authorization* number (RA) is necessary. Without this number, the unit will not be accepted. If your AirLine system was purchased in the United States, please call Samson at 1-800-372-6766 for a Return Authorization number prior to shipping your system. If possible, return the unit in its original carton and packing materials. If your AirLine system was purchased outside of the U. S., contact your local distributor for information.

If you’ve had some prior experience using wireless systems, these QuickStart instructions will get you up and running with your AirLine sys-

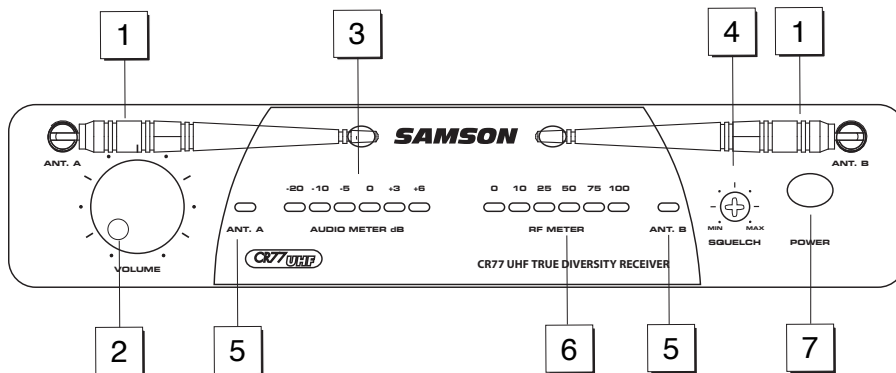
# Samson AirLine QuickStart

---

tem in a matter of minutes! Detailed instructions for setting up and using your AirLine system can be found on page 14 of this manual, and the “Guided Tour” sections on pages 4 - 13 provide full descriptions of all AirLine component controls and displays.

1. Make sure that the supplied receiver and AH1 transmitter are factory preset to the same channel.
2. Physically place the receiver where it will be used and extend its antenna(s) vertically.
3. Set the power switch on your UH1 transmitter to the “off” position (away from the arrow) and place a fresh battery in it. Then turn the transmitter back on momentarily; its LED will flash once and then go off if the battery is sufficiently strong. Once battery strength is verified, turn the transmitter off again.
4. If you are using an AH1 headset microphone, position it correctly as per the illustrations on page 12. If you are using an AirLine UHF Wind Instrument System, clamp the horn mic to your instrument as described in the supplied HM40 owners manual.
5. Turn your audio system off and make the physical cable connection between the receiver’s balanced or unbalanced output jack (if necessary, both can be used simultaneously) and a mic level audio input of your amplifier or mixer. If your system contains a CR77, be sure to set its Audio Output Level switch correctly.
6. Turn the Volume, Level or AF Level knob on the receiver completely counterclockwise. Connect the supplied AC adapter to the receiver and plug it in, but leave its power off for the moment.
7. Turn on the receiver. If your system contains a CR77 receiver, its “Power” LED will light steadily red.

8. Turn on your AH1 transmitter. If your system contains an AR1 receiver, its "Power/ RF" LED should change color from red to green, indicating that it is receiving valid RF signal and is placed and positioned correctly. If your system contains either a CR77 one of the "A/B Receiver" LEDs will be lit, showing you whether the (left) "A" or (right) "B" receiver is currently being used. The CR77 meter will also indicate the strength of the incoming RF signal.
9. Turn on your connected amplifier and/or mixer but keep its volume all the way down. Make sure the AH1 transmitter is unmuted. Set the Volume, Level or AF Level knob on the receiver fully clockwise; this is unity gain.
10. Speak or sing into your headset microphone (or play the instrument connected to the horn microphone) at a normal performance level while slowly raising the audio input control of your amplifier or mixer until the desired level is reached.
11. Do a walkaround through the intended area of coverage while observing the receiver's "Power/RF" LED or RF Meter; it should indicate sufficient RF reception in all areas of coverage. Reposition it (or its antenna) as necessary. If extended range coverage is required, a Samson CR77 true diversity receiver (set to the same channel as the transmitter) should be used.
12. If you hear any spurious noise from the receiver output when the transmitter is turned off, use the supplied plastic screwdriver to adjust the receiver Squelch level control, slowly turning it clockwise to the point at which the noise disappears.



**1: Antennas (A and B)** - The antenna mountings allow full rotation for optimum placement. In normal operation, both Antenna A (the antenna on the left) and Antenna B (the antenna on the right) should be placed in a vertical position. Both antennas can be folded inward for convenience when transporting the CR77. See the "Setting Up and Using the AirLine System" section on page 14 in this manual for information about antenna installation and positioning.

**2: Volume control** - This knob sets the level of the audio signal being

output through both the balanced and unbalanced output jacks on the rear panel (see #2 and #4 on page 6 in this manual). Reference level is obtained when the knob is turned fully clockwise (to its "10" setting).

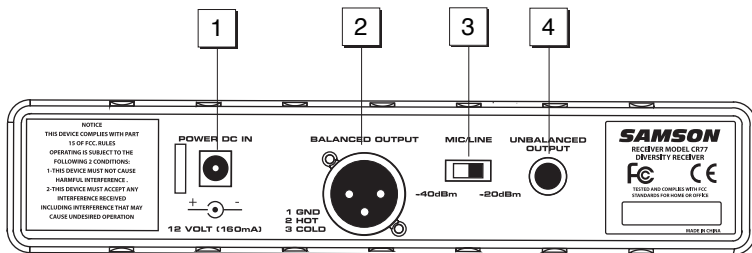
**3: Audio Meter** - - This "ladder" display (similar to the VU bar meter used on audio devices) indicates the strength of the incoming audio signal. When the "0" segment is lit, the incoming signal is optimized at unity gain; when the "+6" segment is lit, the signal is overloading. When only the left-most "-20" segment is lit, the incoming signal is at just 10% of optimum strength. If no segments are lit, little or no signal is being received. See the "Setting Up and the AirLine System" section on page 14 in this manual for more information.

**4: Squelch control** - This control determines the maximum range of the CR77 before audio signal dropout. Although it can be adjusted using the supplied plastic screwdriver, it should normally be left at its factory setting. See the "Setting Up and Using the AirLine System" section on page 14 in this manual for more information.

**5: A/B Receiver LEDs** - When signal is being received, one of these will be lit green, showing you whether the (left) "A" or (right) "B" receiver is currently being used. The CR77 constantly scans its two antennas and automatically selects whichever is receiving the strongest, clearest signal. This **True Diversity** switching is completely inaudible, but it effectively increases overall range while virtually eliminating potential interference and phase cancellation problems.

**6: RF (Radio Frequency) Level meter** - This "ladder" display (similar to the VU bar meter used on audio devices) indicates the strength of the incoming radio signal. When the "100%" segment is lit, the incoming RF signal is fully modulated and at optimum strength. When only the second most left-most "10%" segment is lit, the incoming signal is at just 10% of optimum strength. If no segments are lit, little or no signal is being received. See the "Setting Up and Using the AirLine System" section on page 14 in this manual for more information.

**7: Power switch** - Use this to turn the CR77 power on and off. When the receiver is on, the internal Power LED is lit.



**1: DC input** - Connect the supplied 12 volt 160 mA power adapter here, using the strain relief as shown in the illustration below. **WARNING:** Do *not* substitute any other kind of power adapter; doing so can cause severe damage to the CR77 and will void your warranty.

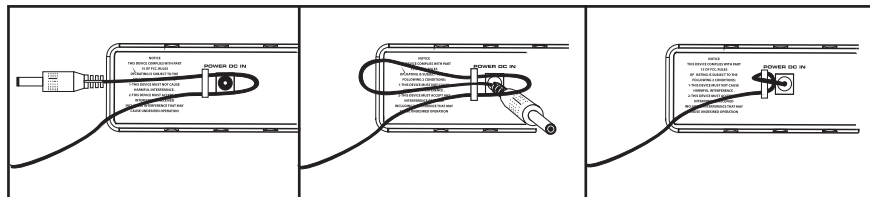
**2: Unbalanced output\*** - Use this unbalanced high impedance (5K Ohm) 1/4" jack when connecting the CR77 to consumer (-10) audio equipment. Wiring is as follows: tip hot, sleeve ground.

**3: Audio Output Level switch** - Sets the audio output level attenuation of the balanced output (see #4 below) to -20 dBm (line level) or -40 dBm (mic level). See "Setting Up and Using the AirLine System" on page 14.

**4: Balanced output\*** - Use this electronically balanced low impedance (600

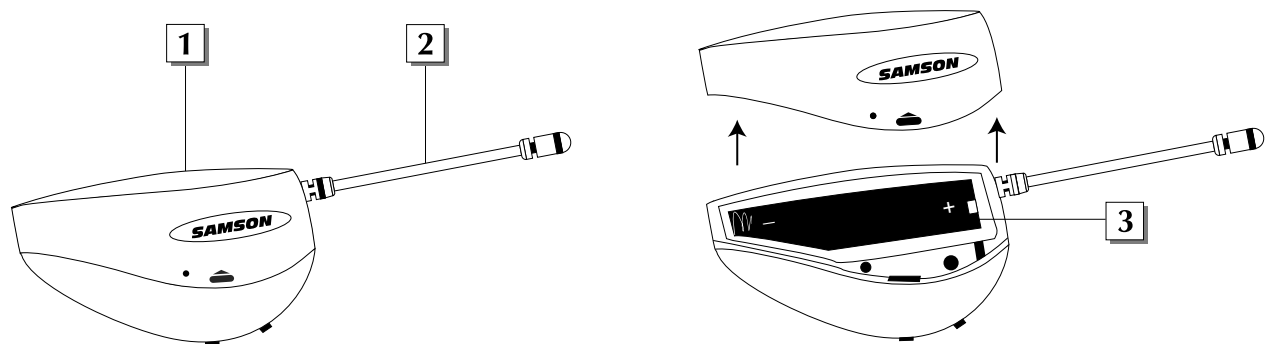
Ohm) XLR jack when connecting the CR77 to professional (+4) audio equipment. Pin wiring is as follows: Pin 1 ground, Pin 2 high (hot), and Pin 3 low (cold).

\* If required, both the unbalanced and balanced outputs can be used simultaneously.



Using the strain relief: Gather up a loop of wire and pass it through the strain relief, then pass the adapter plug through the loop in order to create a knot.





**1: Power / Battery LED** - This LED flashes once when the AH1 is first turned on and lights steadily red when there is less than 2 hours of battery power remaining, indicating that the battery needs to be changed.

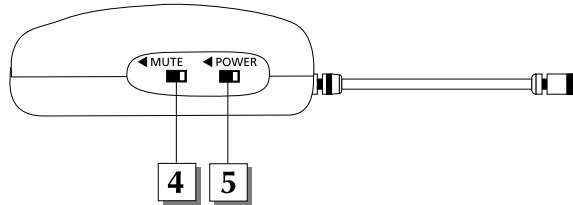
**2: Antenna** - This permanently attached flexible antenna should be fully extended during normal operations. See the "Setting Up and Using the AirLine System" section on page 14 in this manual for more information about antenna positioning.

**3: Battery compartment** - Insert a standard AAA alkaline battery here, being sure to observe the plus and minus polarity markings shown. We recommend the Duracell type battery. Although rechargeable Ni-Cad batteries can be used, they do not supply adequate current for more than four hours. **WARNING:** Do not insert the battery backwards; doing so can cause severe damage to the AH1 and will void your warranty.

# Guided Tour - AH1 Transmitter

Samson AirLine

ENGLISH



**4: Mute switch** - Move this switch in the direction of the arrow to mute the AH1; move it away from the arrow to unmute it and transmit audio signal. Because the carrier signal remains during muting, no “pop” or “thud” will be heard. Note that turning this off does *not* turn off the transmitter power—it is simply a way to temporarily mute the transmission of audio signal. If you don’t plan on using the AH1 for extended periods, turn it off power by using the power on-off switch (see #5 below).

**5: Power switch** - Move this switch in the direction of the arrow to turn power to the AH1 on; move it away from the arrow to turn power off. (to conserve battery power, be sure to turn the AH1 off when not in use). Be sure to mute the audio signal at your external mixer or amplifier before turning the AH1 power on or off, or an audible pop may result.

The basic procedure for setting up and using your AirLine System takes only a few minutes:

1. For your AirLine system to work correctly, both the receiver and transmitter must be set to the same channel. Remove all packing materials (save them in case of need for future service) and check to make sure that the supplied receiver and transmitter are set to the same channel (a complete channel plan is printed on the inside back cover of this manual). If these channels do not match, contact your distributor or, if purchased in the United States, Samson Technical Support at 1-800-372-6766.
2. Physically place the receiver where it will be used (the general rule of thumb is to maintain "line of sight" between the receiver and transmitter so that the person using or wearing the transmitter can see the receiver). The CR77 can be rack-mounted if desired (taking a half-rack space), using an optional Samson adapter kit.
3. Extend the receiver antenna(s) and place it (them) in a vertical position. Make sure the Power on-off switch in your AH1 transmitter is set to "Off."
4. Gently pry off the battery cover off the AH1 transmitter and slide it upwards and off to open the battery compartment. Please use care when opening this cover as undue force will destroy the hinge.
5. Place a fresh AAA alkaline battery in the transmitter battery compartment, taking care to observe the polarity markings. Then replace the battery cover and gently press down on it until it clicks. Leave the AH1 off for the moment.
6. Make the physical cable connection between the receiver output jack and a mic level audio input of your amplifier or mixer. The balanced XLR jack is preferable, since it will deliver an electromagnetically cleaner signal. If required, both the balanced and unbalanced outputs can be used simultaneously. If your system contains a CR77 receiver, be sure to set its Audio Output Level switch correctly (see pages 7 and 9 for details). Leave your amplifier (and/or mixer) off at this time.
7. Turn the Volume, Level or AF Level knob on the receiver completely counterclockwise. Connect the supplied AC adapter to the CR77 receiver and plug it in then plug the adapter into any standard AC outlet. Slide the Power switch in the direction of the arrow to turn on the receiver. If your system contains a CR77 receiver, its "Power" LED will light steadily red.

# Setting Up and Using Your AirLine System

Samson AirLine

ENGLISH

8. Turn on the power to your AH1 transmitter (using its Power on-off switch); the "Power/Battery" LED will flash if the battery is sufficiently strong (if it lights steadily, the battery has less than 2 hours of power remaining and should be replaced). If your system contains either a CR77 receiver, one of the "A/B Receiver" LEDs will light, showing you whether the (left) "A" or (right) "B" receiver is currently being used. The CR77 meter will also indicate the strength of the incoming RF signal.

9. Now it's time to set the audio levels. Turn on your connected amplifier and/or mixer but keep its volume all the way down. Make sure that the AH1 transmitter is unmuted (its Mute switch should be positioned away from the arrow). Then set the Volume, Level or AF Level knob on the receiver fully clockwise; this is unity gain.

10. Speak or sing into your headset mic (or play the instrument to which the horn mic is attached) at a normal performance level while slowly raising the volume of your amplifier and/or mixer until the desired level is reached.

11. If you hear distortion at the desired volume level, first check to see whether the "Peak" LED on the receiver is lit. If it is *not* lit, make sure that the gain structure of your audio system is correctly set (consult the owners manual of your mixer and/or amplifier for details). If the "Peak" LED *is* lit, simply move the microphone further from your mouth.

12. Conversely, if you hear a weak, noisy signal at the desired volume level, again make sure that the gain structure of your audio system is correctly set (consult the owners manual of your mixer and/or amplifier for details) and that the Volume, Level or AF Level control of the receiver is fully clockwise. If it is and the signal coming from the receiver is still weak and/or noisy, simply position the microphone closer to your mouth.

13. Temporarily turn down the level of your mixer/amplifier system and turn off the power to your transmitter, leaving the receiver on. Then restore the previously set level of your mixer/amplifier. With the transmitter off, the receiver output should be totally silent—if it is, skip ahead to the next step. If it isn't (that is, if you hear some noise), you may need to adjust the receiver Squelch control. When the Squelch control is at its minimum setting, the AirLine system always provides maximum range without dropout; however, depending upon the particular environment your system is used in, you may need to reduce that range somewhat in order to eliminate band noise when the AH1

transmitter is turned off. To do so, use the provided screwdriver to rotate the Squelch control completely counterclockwise (to the “Min” position), then slowly turn it clockwise until the noise disappears. If no noise is present at any position, leave it at its fully counterclockwise “Min” position (so as to have the greatest overall range available).

14. When first setting up your AirLine System in a new environment, it’s always a good idea to do a walkaround in order to make sure that coverage is provided for your entire performance area. Accordingly, turn down the level of your audio system and turn on both the transmitter and receiver. Then, with the transmitter unmuted, restore the level of your audio system and while speaking or singing, walk through the entire area that will need to be covered. As you do so, observe the RF display or meter on the receiver to make sure that it is receiving sufficiently strong RF signal (in the CR77 receivers, all segments of the RF Level meter should be lit). Always try to minimize the distance between transmitter and receiver as much as possible so that the strongest possible signal is received from all planned transmission points. In certain environments, it may be desirable to angle the receiver antenna(s) differently from the vertical position. Where extended range coverage is required, the Samson CR77 true diversity receiver (set to the same channel as the transmitter) should be used.

If you have followed all the steps above and are experiencing difficulties, contact your local distributor or, if purchased in the United States, call Samson Technical Support (1-800-372-6766) between 9 AM and 5 PM EST.

Bienvenue sur Samson Airline. Envolez-vous vers la liberté grâce aux systèmes sans fil du nouveau millénaire ! Les microphones et instruments sans fil ont été inventés pour offrir aux musiciens et aux interprètes une liberté de mouvement totale. La gamme AirLine reprend ce concept et le porte à une dimension encore jamais égalée grâce à des émetteurs si petits, légers et aérodynamiques qu'ils sont quasiment invisibles ! Nous avons développé une toute nouvelle technologie qui a permis de créer des émetteurs aussi miniatures. Dotés de circuits miniaturisés et fonctionnant sur une simple pile AAA (autonomie moyenne de 14 heures), ces émetteurs bénéficient d'une qualité sonore et d'une qualité de réception vraiment améliorées.

Le présent mode d'emploi vous donne tous les renseignements nécessaires concernant trois modèles de la gamme Samson AirLine. Tous fonctionnent dans la bande de fréquences UHF 801 à 805, 863 à 865 MHz et reprennent le récepteur CR77 0 - soit un récepteur CR77 True Diversity (destiné aux applications professionnelles sur scène), soit un récepteur Diversity (optimisé pour la production d'enregistrements audio pour des plateaux de vidéo ou de diffusion en direct). Le système AirLine UHF est composé d'un émetteur AH1 ultra léger et d'un micro serre-tête Samson Q Series, ce qui est idéal pour la scène ou les cours d'aérobic. Enfin, le système AirLine UHF Wind Instrument réunit un AH1 et un microphone HM40. Le système AirLine UHF Wind Instrument est le premier système sans fil conçu spécifiquement pour les instruments à vent et à anche. Grâce à lui, vous pouvez vous passer des émetteurs de ceinture et des câbles microphone qui entravent la liberté de mouvement du musicien.

Ce mode d'emploi présente les caractéristiques et possibilités détaillées des systèmes de la gamme AirLine, les procédures d'utilisation ainsi que les caractéristiques techniques des appareils. Vous pouvez également y trouver une carte de garantie – n'oubliez pas de la remplir et de nous la renvoyer pour pouvoir bénéficier de notre assistance technique en ligne et être informé des dernières nouveautés Samson. Consultez également notre site Internet à l'adresse <http://www.samsontech.com>.

NOTE : En cas de panne, contactez votre revendeur Samson. Veuillez à cet effet conserver le carton et les emballages d'expédition de l'appareil.

## Samson AirLine **Prise en main**

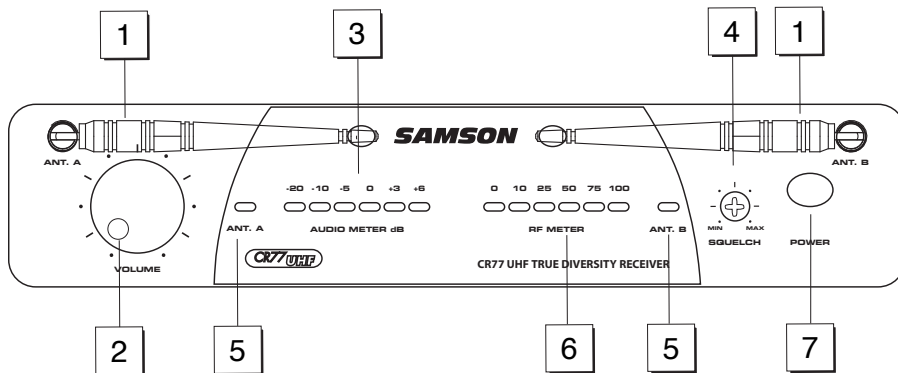
---

Si vous êtes un habitué des systèmes sans fil, ce chapitre vous permettra de régler et d'utiliser votre système AirLine en quelques minutes ! Vous pouvez trouver les procédures de configuration et d'utilisation détaillées de votre système AirLine en page 34 de ce mode d'emploi, ainsi que des "visites guidées" présentant les différentes commandes, connecteurs et témoins des modèles AirLine aux pages 20 à 29.

1. Vérifiez que le récepteur et l'émetteur AH1 fournis sont bien réglés sur le même canal.
2. Placez le récepteur à l'endroit où il devra être utilisé et déployez son antenne.
3. Mettez l'émetteur UH1 hors tension en réglant l'interrupteur d'alimentation sur "Off" (pas sur la flèche), puis placez-y une pile neuve. Faites alors repasser temporairement l'émetteur sous tension ; son témoin lumineux clignote une fois, puis s'éteint si la pile est suffisamment puissante. Lorsque la puissance de la pile a été vérifiée, mettez l'émetteur hors tension.
4. Si vous utilisez un microphone serre-tête AH1, positionnez-le conformément aux illustrations de la page 30. Si vous utilisez un système AirLine UHF Wind Instrument, fixez le micro à votre instrument selon les consignes indiquées dans le mode d'emploi HM40 fourni.
5. Placez votre système d'écoute hors tension, puis reliez la sortie symétrique ou asymétrique du récepteur (les deux sorties peuvent être employées simultanément si nécessaire) à l'une des entrées micro audio de votre amplificateur ou de votre console de mixage. Si votre système est équipé d'un récepteur CR77 ou , vérifiez que son sélecteur de niveau de sortie est correctement réglé.
6. Tournez le potentiomètre Volume, Level ou AF Level du récepteur complètement vers la gauche. Reliez l'une des extrémités de l'adaptateur secteur fourni au récepteur et l'autre à une prise secteur (ou placez une pile neuve dans le récepteur). Laissez le récepteur hors tension pour l'instant.
7. Placez le récepteur sous tension. Si votre système est pourvu d'un récepteur CR77, son témoin "Power" doit alors s'allumer en rouge. Note : Le récepteur n'est doté d'aucun témoin de ce type.

8. Placez l'émetteur AH1 sous tension. Si vous êtes équipé d'un récepteur AR1, le témoin "Power/ RF" de l'AR1 doit alors virer au vert, ce qui indique qu'il reçoit un signal HF valide et qu'il est correctement positionné. Si vous êtes équipé d'un récepteur CR77 ou, l'un des témoins "A/B Receiver" doit s'allumer, ce qui indique que l'un des deux canaux (gauche "A" ou droit "B") est en cours d'utilisation. L'afficheur de niveau des CR77 vous renseigne par ailleurs sur l'intensité du signal HF reçu.
9. Activez ensuite l'amplificateur ou la console de mixage utilisé(e) sans pour autant relever le volume. Vérifiez que l'émetteur AH1 n'est pas coupé par la fonction Mute. Tournez alors le potentiomètre Volume, Level ou AF Level du récepteur complètement vers la droite (position qui correspond au gain unitaire).
10. Chantez ou prononcez des mots dans le micro (ou jouez de l'instrument sur lequel est fixé le microphone) au niveau auquel ils devront l'être lors du concert ou de la conférence, tout en relevant progressivement le niveau de l'entrée audio de l'amplificateur ou de la console de mixage jusqu'au volume souhaité.
11. Faites quelques pas sur toute la zone à couvrir tout en observant le témoin "Power/RF" ou l'afficheur de niveau HF (RF Meter) du récepteur. Ce témoin (ou afficheur) doit toujours rester allumé en vert dans toutes les zones de couverture. Si nécessaire, repositionnez son ou ses antennes. Si vous avez besoin d'une plus grande couverture, remplacez l'AR1 par un récepteur True Diversity Samson CR77 ou (réglé sur le même canal).
12. Si vous entendez des émissions parasites à la sortie du récepteur lorsque l'émetteur est hors tension, relevez progressivement le potentiomètre Squelch du récepteur jusqu'à ce que les interférences disparaissent.





**1: Antennes (A et B)** - Les différents montages possibles des antennes permettent leur rotation complète pour obtenir une localisation optimale. En fonctionnement normal, l'antenne A (située à gauche) et l'antenne B (située à droite) doivent être placées en position verticale. Les deux antennes peuvent être repliées vers l'avant, pour faciliter le transport du récepteur CR77. Voir la page 30 de ce manuel, pour plus d'information sur l'installation et le positionnement des antennes.

**2: Volume** - Cet indicateur détermine le niveau du signal acoustique en sortie aux fiches de sorties symétrique et asymétrique, à l'arrière du rack. On obtient un niveau de référence lorsque le bouton est en position maximale (vers la droite).

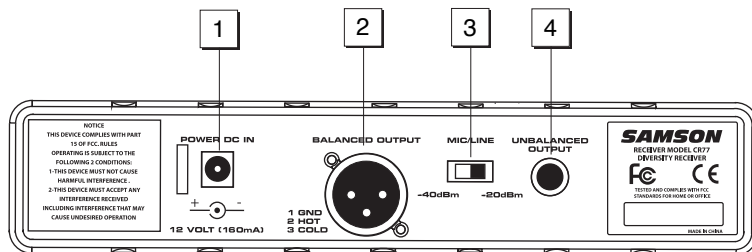
**3: Afficheur de niveau audio** - Cet afficheur (similaire aux Bargraphs utilisés sur les équipements audio) indique le niveau du signal d'entrée audio. Lorsque le segment "0" est allumé, le niveau du signal d'entrée est optimisé à gain unitaire ; lorsque le segment "+6" est allumé, le signal sature. Lorsque seul le segment de gauche "-20" est allumé, le niveau du signal d'entrée n'est qu'à 10 % de son niveau optimal. Si aucun segment n'est allumé, quasiment aucun signal n'est reçu. Pour plus d'information, voir la page 30 de ce manuel.

**4: Squelch** - Cette commande détermine le niveau de seuil minimal du signal reçu avant par le récepteur CR77 avant coupure du signal audio. Il est possible de modifier ce réglage à l'aide du tournevis en plastique fourni. Il est toutefois recommandé de conserver le réglage d'usine. Pour plus d'information, voir la page 30 de ce manuel.

**5: LEDs des antennes A et B** - En présence de signal, l'une des deux diodes s'allume en vert et indique ainsi quelle antenne, "A" (à gauche) ou "B" (à droite) est en fonctionnement. Le récepteur CR77 balaye constamment les deux antennes et choisit automatiquement celle qui reçoit le signal le plus fort et le plus clair. La commutation True Diversity est parfaitement inaudible, mais augmente sensiblement la portée totale en éliminant les problèmes d'interférences haute fréquence et d'annulation de phase.

**6: Indicateur de niveau RF (Haute Fréquence)** - Ce témoin 6 segments (semblable aux VU-mètres utilisés dans les équipements audio) indique la puissance du signal UHF reçu. Lorsque tous les segments sont allumés, le signal H.F. entrant est à sa puissance optimale. Lorsque seul le segment situé le plus à gauche est allumé, le signal H.F. entrant est à sa puissance minimale. Si aucun segment n'est allumé, aucun signal n'est reçu ; assurez-vous que l'émetteur est bien en position de marche et qu'il est connecté au même canal que le récepteur CR77. Pour de plus amples informations, veuillez consulter la page 30 de ce manuel.

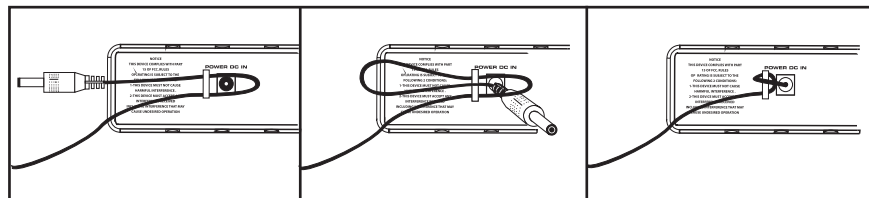
**7: Commutateur d'alimentation** - Utilisez cette commande pour mettre le récepteur CR77 sous ou hors-tension. Lorsque le récepteur est sous tension, la LED d'alimentation est allumée.

**1: Connecteur d'alimentation -**

Connectez à cet endroit l'adaptateur 12 volts-160 mA fourni, avec le clip de maintien en vous référant à l'illustration (ci-dessous).

**ATTENTION :** n'utilisez aucun autre type d'adaptateur, au risque d'endommager sérieusement votre récepteur CR77 et de voir votre garantie annulée.

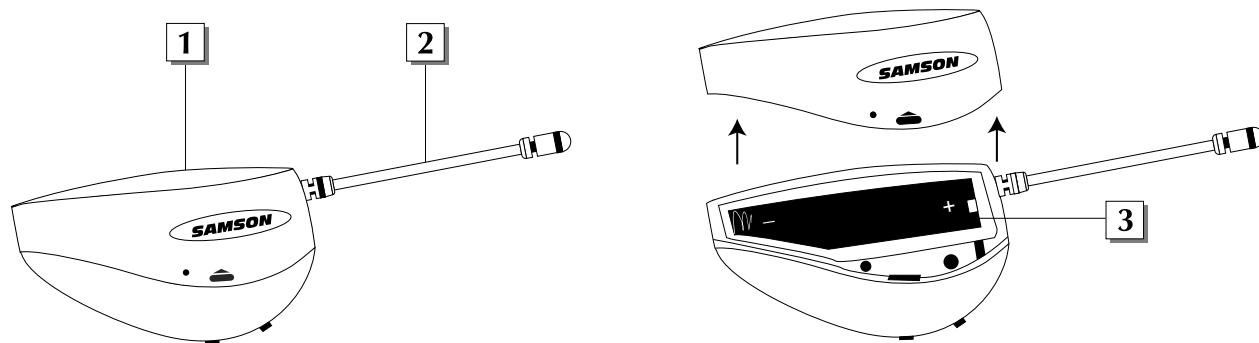
**2: Sortie asymétrique \*** - Servez-vous de la sortie jack asymétrique 6,35 mm à haute impédance (5 kOhms, pour connecter le récepteur CR77 à un équipement audio semi-professionnel ou grand public (-10 dB). Le câblage se fait de la manière suivante : pointe = point chaud; corps = masse, blindage.



**3: Réglage de niveau de sortie audio** - Réglez l'atténuation du niveau de sortie acoustique de la sortie symétrique (voir S4 ci-dessous) à -20 dBm (niveau ligne). Pour obtenir de plus amples informations, consultez la page 30 de ce manuel.

**4: Sortie symétrique \*** - Utilisez le connecteur XLR symétrique à basse impédance (600 Ohms pour connecter le récepteur CR77 à un équipement audio professionnel (+ 4 dBu). Le câblage se fait de la manière suivante : broche 1 = masse, broche 2 = point chaud, broche 3 = point froid.

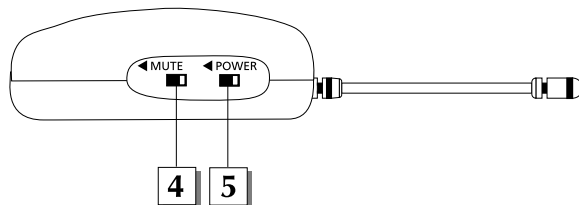
\* Les sorties asymétrique et symétrique peuvent être utilisées simultanément.



**1 : Témoin d'alimentation/d'usure de la pile** – Ce témoin clignote une fois lors de la première mise en service de l'AH1. Sinon, il doit rester allumer en rouge. Par contre, il se met à clignoter dès qu'il ne reste plus que 2heures d'autonomie (usure de la pile). Changez alors la pile.

**2 : Antenne** – En conditions d'utilisation normales, cette antenne fixe pivotante doit être déployée au maximum. Vous trouverez de plus amples renseignements sur le positionnement de l'antenne à la page 30.

**3 : Trappe de la pile** – Placez dans cette trappe une pile alcaline AAA standard en respectant la polarité. Nous vous recommandons l'emploi de piles Duracell. Même s'il est possible d'utiliser des piles Ni-Cad rechargeables, elles n'offrent pas une autonomie suffisante (pas plus de quatre heures). **ATTENTION:** Veillez à ne pas insérer la pile à l'envers sous peine d'endommager gravement l'AH1 et d'annuler la garantie.



**4 : Sélecteur Mute** – Le fait de placer le sélecteur Mute sur la flèche coupe (Mute) l'AH1 ; ramenez-le en position inverse pour réactiver l'AH1 et qu'il puisse transmettre le signal audio. Comme le signal de porteuse n'est pas affecté par le sélecteur Mute, aucun bruit parasite n'apparaît lors de sa manipulation. Remarque: Le fait de couper le microphone par le sélecteur Mute ne le met pas hors tension. Ce sélecteur permet simplement d'interrompre temporairement la transmission du signal audio. En cas de non utilisation prolongée de l'AH1, il est préférable de le mettre hors tension au moyen de son interrupteur d'alimentation (voir n°5 ci-dessous).

**5: Interrupteur d'alimentation** – Placez cet interrupteur sur la flèche pour mettre l'AH1 sous tension ; placez-le dans la direction inverse pour le mettre hors tension. Pour éviter de gaspiller l'énergie de la pile, n'oubliez pas de mettre l'AH1 hors tension lorsque vous ne l'utilisez pas.

Les réglages de configuration et d'utilisation de votre système AirLine ne prennent que quelques petites minutes :

1. Pour que votre système AirLine fonctionne correctement, il faut que l'émetteur et le récepteur soient tous deux réglés sur le même canal. Retirez les deux appareils de leur emballage (conservez ce dernier pour d'éventuelles réparations) et vérifiez que le récepteur et l'émetteur fournis sont bien réglés sur le même canal (vous pouvez trouver un plan complet des canaux sur la couverture arrière du présent mode d'emploi). S'ils ne sont pas réglés sur le même canal, veuillez contacter votre distributeur.
2. Placez le récepteur à l'endroit où il devra être utilisé (il est de raison de maintenir un "couloir" entre le récepteur et l'émetteur afin que la personne utilisant ou portant l'émetteur puisse voir le récepteur). L'CR77 peut être monté en rack (format demi-rack) au moyen du kit Samson prévu à cet effet et disponible en option. peut être fixé à une caméra vidéo au moyen du Velcro fourni.
3. Déployez ensuite la ou les antennes du récepteur à la verticale. Vérifiez que l'émetteur AH1 n'est pas sous tension (interrupteur d'alimentation en position "Off").
4. Veuillez appuyer délicatement sur le cache du compartiment à pile de l'émetteur AH1, puis relevez-le. Attention : Une pression excessive pourrait endommager le cache.
5. Placez une pile alcaline AAA neuve dans la trappe à pile de l'émetteur en prenant soin de respecter la polarité indiquée. Refermez ensuite le cache du compartiment à pile en appuyant légèrement dessus jusqu'à ce que vous entendiez un clic. Ne mettez pas encore l'émetteur sous tension.
6. Reliez à présent la sortie de l'émetteur AH1 à l'une des entrées audio à niveau micro de l'amplificateur ou de la console de mixage. Privilégiez la sortie symétrique sur fiche XLR car le signal qu'elle délivre est peu sensible aux interférences électromagnétiques. Vous pouvez, si nécessaire, utiliser simultanément les sorties symétrique et asymétrique. Si votre système est équipé d'un récepteur CR77 ou, vérifiez que le sélecteur Audio Output Level (niveau de sortie) est correctement réglé. Placez l'amplificateur (et/ou la console de mixage) hors tension avant de procéder aux connexions.
7. Tournez le potentiomètre Volume, Level ou AF Level du récepteur complètement vers la gauche. Reliez l'adaptateur secteur fourni au connecteur d'alimentation de l'CR77, puis reliez l'autre extrémité de l'adaptateur à une prise secteur (le récepteur peut être alimenté en 12 Volts depuis une caméra vidéo). Placez le récepteur sous tension en plaçant son interrupteur d'alimentation en direction de la flèche. S'il est équipé d'un récepteur CR77, son témoin "Power" doit s'allumer en rouge. Note : Le récepteur n'est pas doté de témoin d'alimentation "Power".

8. Placez à présent l'émetteur AH1 sous tension (par le biais de son interrupteur d'alimentation). Le témoin "Power/Battery" se met à clignoter si la pile dispose de suffisamment de puissance (s'il reste allumé en permanence, cela signifie qu'il reste moins de 2 heures d'autonomie à la pile et qu'il faut la changer). Si vous êtes équipé d'un récepteur CR77 ou l'un des témoins "A/B Receiver" doit s'allumer, ce qui indique que l'un des deux canaux (gauche "A" ou droit "B") est en cours d'utilisation. L'afficheur de niveau des CR77/ vous renseigne par ailleurs sur l'intensité du signal HF reçu.

9. Passons au réglage des niveaux audio. Placez la console de mixage et/ou l'amplificateur sous tension sans pour autant relever leur volume. Vérifiez que le signal de l'émetteur AH1 n'est pas coupé par le sélecteur Mute (le sélecteur Mute ne doit pas être placé sur la flèche). Tournez ensuite le potentiomètre Volume, Level ou AF Level du récepteur complètement à droite (vous réglez alors l'émetteur sur le gain unitaire).

10. Chantez ou prononcez des mots dans le micro (ou jouez de l'instrument sur lequel est fixé le microphone) au niveau auquel ils devront l'être lors du concert ou de la conférence tout en relevant progressivement le niveau de l'entrée audio de l'amplificateur ou de la console de mixage jusqu'au volume souhaité. Le récepteur est pourvu d'un connecteur minijack de type baladeur de 30 Ohms vous permettant d'avoir le retour du signal de transmission.

11. Si vous entendez de la distorsion au volume souhaité, commencez par vérifier si le témoin "Peak" du récepteur est allumé. Si ce n'est pas le cas, vérifiez que la structure de gain de votre configuration est correcte (voir mode d'emploi de l'amplificateur et/ou de la console de mixage pour de plus amples renseignements). Par contre, si le témoin "Peak" rouge s'allume, éloignez simplement le microphone de votre bouche.

12. Inversement, si le son est faible et présente du bruit de fond au volume souhaité, vérifiez de nouveau la structure de gain de votre configuration audio (voir mode d'emploi de la console et de mixage et/ou de l'amplificateur pour de plus amples détails), puis vérifiez que le potentiomètre Volume, Level ou AF Level du récepteur est bien réglé complètement à droite. Si c'est le cas et que le son est toujours de mauvaise qualité, rapprochez simplement le microphone de votre bouche.

13. Baissez temporairement le niveau de la console de mixage ou de l'amplificateur, mettez l'émetteur hors tension tout en laissant le récepteur sous tension, puis ramenez la console de mixage ou l'amplificateur sur le niveau préalablement en vigueur. Lorsque l'émetteur est éteint, le sortie du récepteur doit absolument être silencieuse – si c'est le cas, passez directement à l'étape suivante. Si ce n'est pas le

cas (autrement dit, si vous entendez du bruit), ajustez le réglage de Squelch du récepteur. C'est lorsque le Mute est réglé au minimum que le système AirLine offre une portée maximale sans perte de signal. Toutefois, il peut arriver, en fonction de l'environnement d'utilisation, de devoir réduire cette portée afin d'éliminer le bruit de bande présent lorsque l'émetteur AH1 est éteint. Pour ce faire, ramenez le potentiomètre Squelch en position "Min" au moyen du tournevis fourni, puis tournez-le progressivement vers la droite jusqu'à ce que le bruit disparaisse. Si aucun bruit n'apparaît, quelle que soit la position dans laquelle se trouve le potentiomètre Squelch, laissez-le en position "Min" (potentiomètre réglé complètement à gauche). Vous bénéficiez alors de la portée maximale.

14. Lors de la première mise en service de votre système AirLine dans un nouvel environnement, nous vous conseillons de tester si la scène où vous devez donner un concert ou une conférence est couverte dans sa totalité. Pour ce faire, baissez le volume de votre système audio, puis mettez l'émetteur et le récepteur sous tension. Vérifiez que l'émetteur est bien activé (fonction Mute désactivée), puis chantez ou prononcez quelques mots tout en ramenant le système audio sur son niveau préalable et en parcourant la totalité de la zone à couvrir. Parallèlement, observez le témoin ou l'afficheur de niveau HF du récepteur ( des récepteurs CR77 et doivent être allumés ; cela indique que les récepteurs reçoivent un signal HF suffisamment puissant). Réduisez toujours au minimum la distance séparant l'émetteur du récepteur afin que le récepteur puisse reprendre les signaux les plus puissants possibles depuis tous les points de transmission. Dans certains environnements, il peut s'avérer nécessaire d'incliner la ou les antennes. Pour les applications vidéo, nous vous recommandons l'emploi d'un récepteur Diversity Samson .

Si vous rencontrez le moindre problème, n'hésitez pas à contacter votre distributeur.



Willkommen bei Samson AirLine – dem Wireless-System fürs neue Jahrtausend! Funkmikrofon-Systeme wurden ursprünglich dazu entwickelt, sich der Notwendigkeit von Kabeln zu entledigen, was eine Bewegungsfreiheit sondergleichen ermöglichte. Durch AirLine erreicht dieses Konzept eine neue Stufe, die Sender sind so klein, leicht und aerodynamisch, dass sie fast unsichtbar sind und sie eine völlig uneingeschränkte Tragerfahrung vermitteln. Um die kleinsten Funküberträger der Welt bauen zu können, entwickelten wir neue eigene Technologien. Ausgezeichnet durch Miniatur-Schaltungen und die Fähigkeit, mit einer einzigen kleinen AAA-Batterie (ca. 14 Stunden Lebensdauer)) auszukommen, kennzeichnen diese Transmitter auch signifikante Verbesserungen von Übertragungs- und damit Klangqualität.

In diesem Bedienungshandbuch werde drei verschiedene Samson AirLine Systeme beschrieben. Alle arbeiten im 801–805, 863–865 MHz UHF-Frequenzbereich und beinhalten einen Mikro-Empfänger oder CR77– entweder einen CR77 True-Diversity-Empfänger (für professionelle Anwendungen) oder ein Micro-Diversity-Empfänger (optimiert für die Produktion professioneller Audio-Spuren für Videoaufzeichnung oder Live-Übertragung). Das AirLine UHF System kombiniert einen federleichten AH1 Headset-Sender mit einem Samson Q Series Headset-Mikrofon, ideal für Fitness- und Performance-Anwendungen. Es ist das erste Wireless-System für Holz- und Blechblasinstrumente, das ohne Taschensender und unhandliche Mikrofonkabel auskommt, die ansonsten Ihre Bewegung einschränken würden.

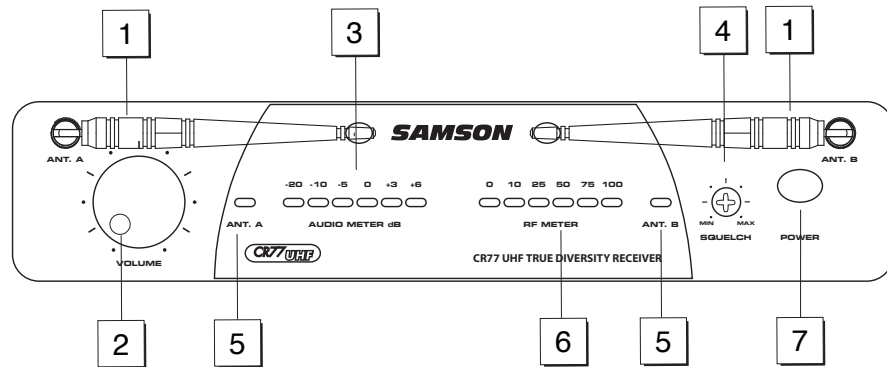
In diesem Handbuch finden Sie eine detaillierter Beschreibungen der Features aller AirLine Systeme, ebenso wie einen Überblick über alle Komponenten, Schritt-für-Schritt-Anleitungen zur Einrichtung Ihres Systems und alle technischen Daten. Für den Fall, dass Sie Ihr AirLine System in den Vereinigten Staaten erworben haben, finden Sie beiliegend eine Garantiekarte – nicht vergessen auszufüllen und abzuschicken! Dies ermöglicht Ihnen den Zugang zum technischen Online-Support und erlaubt uns, Ihnen aktuelle Informationen über dieses und andere Samson Produkte in der Zukunft zuzusenden. Falls Sie Ihr AirLine System außerhalb der U. S. A. erworben haben, setzen Sie sich für Einzelheiten bezüglich der Garantie mit Ihrem lokalen Händler vor Ort in Verbindung. Besuchen Sie auf jeden Fall auch unsere Seite im Internet (<http://www.samsontech.com>) für umfassende Informationen über unsere ganze Produktpalette.

**SPEZIELLER HINWEISE für Käufer in den U. S. A.:** Sollte Ihr AirLine System je Wartung nötig haben, benötigen Sie eine Nummer zur Rücksende-Autorisation (Return Authorization Number, RA). Ohne diese wird das Gerät nicht angenommen. Für den Fall, dass Sie Ihr AirLine System in den Vereinigten Staaten erworben haben, besorgen Sie sich bei Samson unter 1-800-372-6766 vor dem Versenden Ihres Gerätes eine solche Nummer. Wenn möglich, lassen Sie uns bitte das Gerät Original-verpackt zukommen. Falls Sie Ihr AirLine System außerhalb der U. S. A. erworben haben, informieren Sie sich bei Ihrem lokalen Händler.

Falls Sie bereits Erfahrung mit Wireless-Systemen besitzen, handelt es sich bloß um einen Sache von Minuten, bis Sie mit Hilfe dieser Kurzanleitung Ihr System eingerichtet und in Betrieb gesetzt haben. Detaillierte Informationen zur Einrichtung und Bedienung Ihres AirLine Systems finden Sie auf Seite 46 dieses Handbuchs, und der Abschnitt „Überblick“ auf den Seiten 36 - 45 liefern vollständige Beschreibungen der Bedienelemente und Displays aller AirLine Komponenten.

1. Stellen Sie sicher, dass der gelieferte Empfänger und der AH1 Sender werkseitig auf denselben Kanal eingestellt sind.
2. Platzieren Sie den Empfänger dort, wo er betrieben werden wird, und richten Sie seine Antenne(n) vertikal aus.
3. Schalten Sie Ihren UH1 Sender aus (Ein/Aus-Schalter in Position "off", weg vom Pfeil), und setzen Sie eine frische Batterie ein. Schalten Sie den Sender wieder vorübergehend ein; die LED leuchtet einmal auf und geht wieder aus, sofern die Batterie ausreichend ist. Schalten Sie den Sender nach der Batteriekontrolle wieder aus.
4. Wenn Sie ein AH1 Headset-Mikrofon verwenden, positionieren Sie es korrekt wie auf den Illustrationen auf Seite 50 zu sehen. Falls Sie ein AirLine UHF Wind Instrument System benutzen, befestigen Sie das Horn-Mikro so an Ihrem Instrument wie im mitgelieferten Audio-Technica Benutzerhandbuch beschrieben.
5. Schalten Sie Ihr Audio-System aus und stellen Sie die Kabelverbindung zwischen dem symmetrischen oder unsymmetrischen Ausgang des Empfängers (falls nötig, können beide gleichzeitig benutzt werden) und einem Eingang auf Mik-Pegel des Verstärkers oder Mixers her. Wenn Ihr System einen CR77 oder Empfänger enthält, stellen Sie sicher, dass dessen Schalter für den Audio-Ausgangspegel richtig eingestellt ist.
6. Drehen Sie die Volume, Level oder AF Level Regler ganz nach links. Schließen Sie den mitgelieferten Netzadapter an den Empfänger an und verbinden Sie ihn mit dem Netz (oder setzen Sie eine frische Batterie in den Empfänger ein), lassen Sie ihn aber im Moment noch ausgeschaltet.

7. Schalten Sie den Empfänger ein. Besitzen Sie ein System mit einem CR77 Empfänger, leuchtet dessen "Power"-LED dauerhaft rot. (Anmerkung: Der Empfänger hat keine solche LED.)
8. Schalten Sie jetzt Ihren AH1 Sender ein. Verwenden Sie in Ihrem System einen CR77 Empfänger, sollte dessen "Power/RF"-LED von rot auf grün wechseln, um anzuzeigen, dass er ein gültiges RF Signal empfängt und korrekt platziert wurde. Wenn Ihr System einen CR77 oder Empfänger enthält, leuchtet eine der "A/B Receiver"-LEDs, die Ihnen zeigt ob entweder der (linke) "A" oder der (rechte) "B" Empfänger momentan in Verwendung ist. Zusätzlich kann man anhand der Anzeige des CR77 / die Feldstärke des eingehenden RF-Signals ablesen.
9. Schalten Sie Ihren angeschlossenen Verstärker und/oder Mischer ein, drehen dessen Volume aber ganz runter. Stellen Sie sicher, dass der AH1 Sender nicht stummgeschaltet ist. Drehen Sie Volume, Level oder AF Level ganz nach rechts; das ist dann Einheitsgain.
10. Sprechen oder singen Sie in Ihr Headset-Mikrofon (oder spielen Sie etwas auf dem Instrument, an welchem das Horn-Mikrofon befestigt ist) bei normaler Stärke, während Sie am Verstärker oder Mischer langsam den Regler für den Audio-Eingang bis zum gewünschten Pegel hochdrehen.
11. Schreiten Sie den gewünschten Bereich ab, der erfasst werden soll, während Sie die "Power/RF"-LED oder die RF-Anzeige beobachten. Diese sollte dort überall ausreichenden RF-Empfang signalisieren. Ändern Sie die Position des Empfängers (oder dessen Antenne), wie es notwendig ist. Zur Erfassung eines größeren Empfangsbereiches sollte ein Samson CR77 oder True Diversity-Empfänger verwendet werden (auf den gleichen Kanal eingestellt wie der Sender).
12. Sollten bei ausgeschaltetem Sender irgendwelche falschen Geräusche durch den Empfänger-Ausgang hörbar sein, können Sie mit Hilfe des mitgelieferten Schraubenziehers den Regler für den Mute-Pegel des Empfängers (Squelch) justieren. Drehen Sie den Regler dazu langsam im Uhrzeigersinn so weit, bis die Geräusche verschwinden.



**1: Antennen (A und B)** - Die Antennenhalter haben einen Drehradius von 360°, um eine optimale Aufstellung zu erlauben. Bei normalem Betrieb sollten die beiden Antennen A (links) und B (rechts) senkrecht aufgestellt werden. Die Antennen lassen sich zum Transport des CR77 einschieben. Weitere Informationen erhalten Sie unter „Konfiguration und Betrieb der AirLine-Systeme“ auf Seite 46 dieses

Handbuches.

**2: Volume** - Mit diesem Regler stellen Sie den Pegel des Audiosignals ein, welches über die symmetrierten und die unsymmetrierten Anschlüsse auf der Rückseite des Empfängers ausgegeben wird. Der Referenzpegel ist eingestellt, wenn der Regler am rechten Anschlag steht (Einstellung „10“).

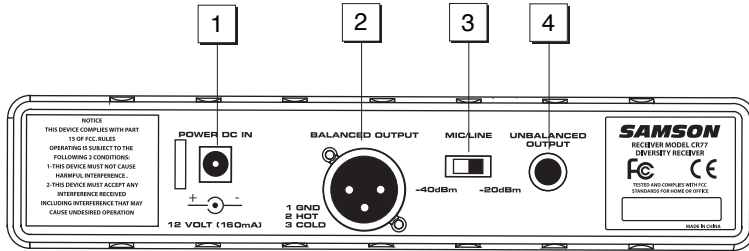
**3: Audio-Pegelanzeige** – Diese „Balken“-Anzeige (vergleichbar mit der VU Balkenanzeige von Audiogeräten) gibt die Stärke des eingehenden Audiosignals an. Wenn das „0“ Segment leuchtet, ist das eingehende Signal auf Unity Gain optimiert. Wenn das „+6“ Segment leuchtet, überlastet das Signal den Eingang. Wenn nur das „-20“\_Segment ganz links leuchtet, besitzt das Signal nur 10% seiner optimalen Stärke. Wenn keine Segmente leuchten, wird nur ein schwaches oder kein Signal empfangen. Weitere Informationen erhalten Sie unter „Konfiguration und Betrieb der AirLine-Systeme“ auf Seite 46 dieses Handbuches.

**4: Squelch** - Dieser Regler bestimmt den maximalen Empfangsbereich des CR77 vor dem Abschneiden des Audiosignals. Obwohl Sie den Regler mit Hilfe des beiliegenden Plastikschaubredrehers einstellen können, empfehlen wir Ihnen, die werksseitige Einstellung beizubehalten. Weitere Informationen erhalten Sie unter „Konfiguration und Betrieb der AirLine-Systeme“ auf Seite 46 dieses Handbuches.

**5: A/B-LEDs** - Wenn ein Signal empfangen wird, leuchtet eine dieser beiden LEDs grün auf und zeigt so an, welche der beiden Antennen A (links) und B (rechts) gerade verwendet wird. Der CR77 prüft das Empfangssignal beider Antennen kontinuierlich und wählt automatisch das stärkere und damit klarere Empfangssignal aus. Diese True Diversity-Schaltung arbeitet vollständig unhörbar, erhöht jedoch die Gesamtreichweite und verhindert zuverlässig Interferenzen und Phasenauslöschungen.

**6: RF Level-Anzeige** - Diese 6 segmentige Anzeige arbeitet ähnlich wie die Aussteuerungsanzeige bei Audiogeräten und zeigt die Stärke des empfangenen Trägersignals an. Wenn alle Segmente leuchten, hat das empfangene Signal optimale Stärke. Wenn nur das Segment ganz links leuchtet, ist das empfangene Signal sehr schwach. Leuchtet kein Segment, so wird überhaupt kein Signal empfangen. Vergewissern Sie sich in diesem Fall, daß der Sender eingeschaltet und auf den gleichen Kanal eingestellt ist wie der CR77. Weitere Informationen erhalten Sie unter „Konfiguration und Betrieb der AirLine-Systeme“ auf Seite 46 dieses Handbuches.

**7: Netzschalter** - Mit diesem Schalter schalten Sie den CR77 ein und aus. Wenn das Gerät eingeschaltet ist, leuchtet die Power-LED.

**1: Anschluß für das Netzteil -**

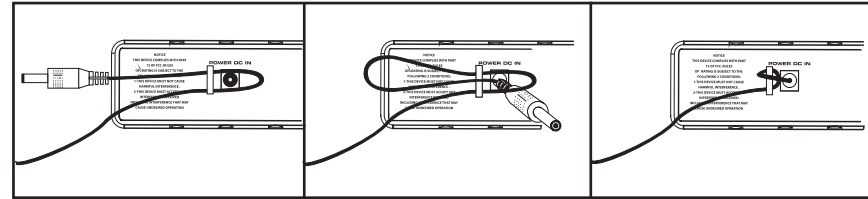
Schließen Sie hier das beiliegende Netzteil wie unten dargestellt an.

**ACHTUNG:** Verwenden Sie niemals ein anderes als das beiliegende Netzgerät, da ansonsten der CR77 beschädigt werden könnte und Ihre Garantie erlischt.

**2: Audioausgang (unsymmetriert)\***

- Verbinden Sie Audiogeräte, an die Signale mit einem Pegel von  $-10$  dB (Consumer-Pegel) angeschlossen werden müssen, über diesen Anschluß mit dem CR77. Die Ausgangsimpedanz beträgt  $5$  kOhms.

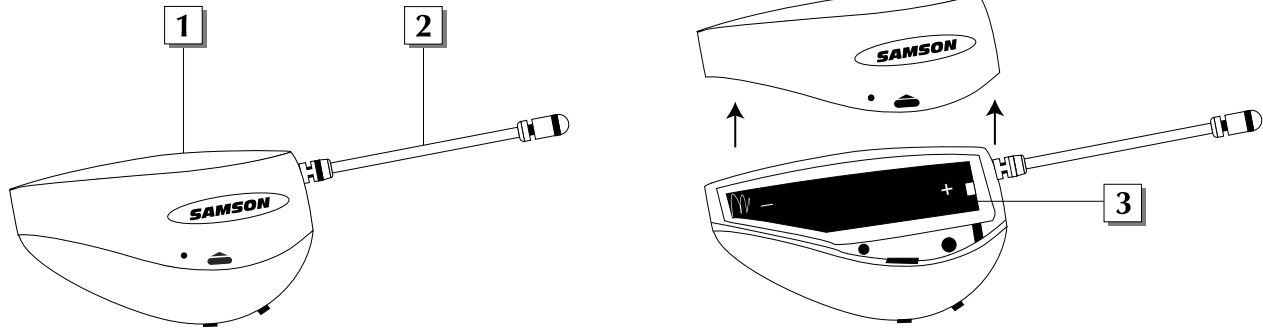
**3: Einstellschalter für den Ausgangspegel** - Mit diesem Schalter stellen Sie die Abschwächung des



Ausgangssignals für den symmetrierten Ausgang (4) auf  $-20$  dBm (Line-Pegel) oder  $-40$  dBm (Mikrofonpegel) ein. Weitere Informationen erhalten Sie unter „Konfiguration und Betrieb der AirLine-Systeme“ auf Seite 46 dieses Handbuchs.

**4: Audioausgang (symmetriert)\*** - Verbinden Sie Audiogeräte, an die Signale mit einem Pegel von  $+4$  dB (Professional-Pegel) angeschlossen werden müssen, über diesen Anschluß mit dem CR77. Die Ausgangsimpedanz beträgt  $600$  Ohms. Die Belegung der Stifte ist wie folgt: Pin 1 - Erde; Pin 2 - \*-Pol; Pin 3 - -Pol.

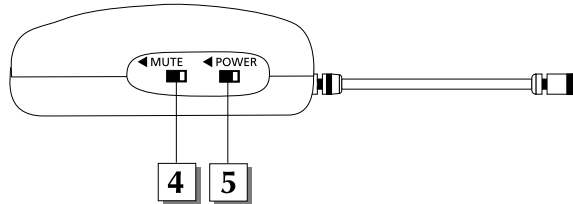
\* Falls notwendig, können Sie den unsymmetriert und den symmetrierten Ausgang gleichzeitig verwenden.



**1: Anzeige der Lebensdauer der Batterie** - Diese Anzeige blinkt einmal beim ersten Einschalten des AH1. Sonst sollte sie rot leuchten. Sie fängt jedoch an zu blinken, wenn nur 2 Stunden Lebensdauer der Batterie übrigbleibt. Wechseln Sie dann die Batterie.

**2. Antenne** - Bei normaler Benutzung sollte die Antenne ganz heraus gezogen sein. Weitere Informationen über die Position der Antenne erhalten Sie unter „Konfiguration und Betrieb der AirLine-Systeme“ auf Seite 46 dieses Handbuchs.

**3. Batteriefach** - Legen Sie eine normale Alkalin-Batterie AAA ein, wobei Sie auf die Polaritäten achten. Wir empfehlen Ihnen die Duracell-Batterien. Obwohl Sie wiederaufladbare Batterien (NiCad-Akkus) verwenden können, reduziert deren Verwendung die maximale Betriebszeit auf nicht mehr als vier Stunden. **ACHTUNG:** Legen Sie die Batterien niemals umgekehrt in das Fach ein, da ansonsten der AH1 beschädigt werden könnte, und Ihre Garantie erlischt.



**4: Mute-Schalter** - Wenn Sie den Mute-Schalter in die Richtung des Pfeils drücken, (Mute) schalten Sie den AH1 stumm. Wenn Sie ihn in die andere Richtung drücken, wird der AH1 wieder aktiviert, und kann ein Audio-Signal senden. Da das Trägersignal durch den Mute-Schalter nicht beeinflusst ist, tritt kein Rauschen beim Betrieb auf. Bemerkung: Das Mikrofon wird nicht durch den Mute-Schalter ausgeschaltet. Er erlaubt nur, die Übertragung des Audio-Signals zeitweilig zu unterbrechen. Wenn der AH1 eine längere Zeit nicht benutzt wird, ist es besser, ihn mit Hilfe des Netzschalters (Siehe N.5 hierüber) auszuschalten.

**5. Netzschalter (Power)** - Wenn Sie diesen Schalter in Richtung des Pfeils drücken, schalten Sie dies den AH1 ein. Drücken Sie ihn in die andere Richtung, um ihn auszuschalten. Um die Batterieleistung nicht zu verschwenden, vergessen Sie nicht den AH1 auszuschalten, sobald Sie nicht mehr verwenden.



Die wesentlichen Schritte, die erforderlich sind, um Ihr AirLine System einzurichten und verwenden zu können, bedürfen nur weniger Minuten:

1. Damit Ihr AirLine System korrekt arbeitet, müssen Empfänger und Sender auf den gleichen Kanal eingestellt sein. Entfernen Sie alles Verpackungsmaterial (behalten Sie sie jedoch für eventuelle Wartungs-/Reparaturarbeiten), und überprüfen Sie sicherheitshalber noch einmal, ob der gelieferte Empfänger und Sender auf den gleichen Kanal eingestellt sind (einen vollständiger Kanalbelegungsplan finden Sie gedruckt innen auf der hinteren Umschlagseite dieser Anleitung). Stimmen diese Kanäle nicht überein, setzen Sie sich mit Ihrem Händler oder, falls in den Vereinigten Staaten erworben, dem Technischen Support von Samson unter 1-800-372-6766 in Verbindung.

2. Plazieren Sie den Empfänger dort, wo er verwendet wird (als allgemeine Faustregel kann das Aufrechterhalten der Sichtlinie zwischen Empfänger und Sender gelten, so dass also die Person, die den Sender trägt, den Empfänger sehen kann). Der CR77 kann, wenn gewünscht, mittels des optionalen Samson Adapter Kits in ein Rack eingebaut werden (benötigt 1/2 HE). Der k kann mit Hilfe des mitgelieferten Velcro-Bandes an einer Video-Kamera befestigt werden.

3. Ziehen Sie Empfänger-Antenne(n) aus, und richten Sie sie vertikal aus. Stellen Sie sicher, dass der Ein/Aus-Schalter am AH1 Sender auf "Off" steht.

4. Öffnen Sie vorsichtig die Batterieabdeckung des AH1 Senders (drücken, nach oben schieben und entfernen). Gehen Sie dabei behutsam vor, um sie nicht zu zerstören.

5. Setzen Sie eine frische AAA Alkaline-Batterie in das Sender-Batteriefach ein, wobei Sie auf die Polaritäts-Markierungen Acht geben müssen. Schließen Sie die Batterieabdeckung wieder, und drücken Sie sie sachte herunter, bis es klickt. Lassen Sie den AH1 vorübergehend ausgeschaltet.

6. Stellen Sie die Kabelverbindung zwischen der Empfänger-Ausgangsbuchse und einem Audio-Eingang auf Mik-Pegel am Verstärker oder Mischer her. Der symmetrierten XLR-Buchse ist der Vorzug zu geben, da sie ein elektromagnetisch klareres Signal liefert. Falls nötig, können der symmetrische und unsymmetrische Ausgang gleichzeitig benutzt werden. Enthält Ihr System einen CR77 oder Empfänger, stellen Sie sicher, dass dessen Schalter für den Audio-Ausgangspegel richtig eingestellt ist (siehe Seiten 38 und 40 für Näheres). Lassen Sie Ihren Verstärker (und/oder Mischer) vorläufig noch ausgeschaltet.

7. Drehen Sie die Volume, Level oder AF Level Regler am Empfänger ganz nach links. Schließen Sie den mitgelieferten Netzadapter an den CR77 Empfänger an und verbinden Sie ihn mit einer Standard-Netzsteckdose (der Empfänger kann auch per Batterie oder der 12 V Stromversorgung einer angeschlossenen Video-Kamera versorgt werden). Schieben Sie den Ein/Aus-Schalter in Richtung des Pfeils, um den

Empfänger einzuschalten. Besitzen Sie ein System mit einem Empfänger hat keine "Power" LED-Anzeige.

8. Schalten Sie jetzt Ihren AH1 Sender ein (per Ein/Aus-Schalter); falls die Batterie voll genug ist, blinkt die "Power/Batterie" LED (wenn sie leuchten bleibt, bleiben der Batterie noch weniger als 2 Stunden, und sie sollte ausgetauscht werden). Besitzen Sie ein System mit einem CR77 oder Empfänger, leuchtet eine der "A/B Receiver" LEDs, je nachdem, ob der (linke) "A" oder der (rechte) "B" Empfänger gerade verwendet wird. Darüber hinaus können Sie auf der Anzeige des CR77 / die Feldstärke des ankommenden RF-Signals ablesen.

9. Jetzt sollten die Audio-Pegel eingestellt werden. Schalten Sie Ihren angeschlossenen Verstärker und/oder Mischer ein, regeln aber Volume ganz herunter. Stellen Sie sicher, dass der AH1 Sender nicht stummgeschaltet ist (dazu muss der dessen Mute-Schalter vom Pfeil weg positioniert sein). Drehen Sie dann Volume, Level oder AF Level am Empfänger ganz nach rechts; das ist dann Einheitsgain.

10. Sprechen oder singen Sie in Ihr Headset-Mikrofon (oder spielen Sie etwas auf dem Instrument, an welchem das Horn-Mikrofon befestigt ist) bei normaler Stärke, während Sie am Verstärker oder Mischer langsam den Regler für den Audio-Eingang bis zum gewünschten Pegel hochdrehen. Der Empfänger erlaubt das Mithören des Übertragungssignals mittels Standard 30 Ohm Walkman-Kopfhörern an dessen Kopfhörer-Buchse.

11. Wenn beim gewünschten Volume-Pegel Verzerrungen hörbar sind, überprüfen Sie zuerst, ob die "Peak" LED am Empfänger leuchtet. Falls nicht, versichern Sie sich, dass die Verstärkungs-Systematik Ihres Audio-System korrekt eingerichtet ist (für nähere Informationen schlagen Sie im Benutzerhandbuch Ihres Mixers und/oder Verstärkers). Brennt die "Peak" LED, halten Sie das Mikrofon einfach etwas weiter vom Mund weg.

12. Wenn Sie umgekehrt bei gewünschtem Volume-Pegel nur ein schwaches, verrauschtes Signal zu hören bekommen, überprüfen Sie ebenso die korrekte Einrichtung der Verstärkungs-Systematik Ihres Audio-Systems (für nähere Informationen schlagen Sie im Benutzerhandbuch Ihres Mixers und/oder Verstärkers nach). Stellen Sie auch sicher, dass Volume, Level oder AF Level Regler am rechten Anschlag sind. Falls dem so ist und das vom Empfänger kommende Signal immer noch schwach und/oder verrauscht ist, halten Sie das Mikrofon einfach näher an Ihren Mund.

13. Regeln Sie vorübergehend den Pegel Ihres Mischer-/Verstärker-Systems herunter, und schalten Sie Ihren Sender aus; der Empfänger bleibt an. Stellen Sie dann wieder den vorherigen Pegel am Mischer/Verstärker ein. Bei ausgeschaltetem Sender sollte das Empfänger-Signal absolut geräuschlos sein – falls das der Fall sein sollte, gehen Sie zum nächsten Schritt. Wenn dem nicht so ist (d. h., falls Sie Rauschen hören), müssen Sie eventuell den Mute-Regler am Empfänger (Squelch) nachjustieren. Ist der Mute-Regler in Minimalstellung, hat Ihr AirLine System Maximalreichweite ohne Ausfälle; abhängig von der jeweiligen Umgebung, in der Sie Ihr System benutzen, kann es jedoch notwendig werden, diese Reichweite etwas zu vermindern, um Bandrauschen zu eliminieren, wenn der AH1 Sender ausgeschaltet wird. Verwenden Sie hierfür den

mitgelieferten Schraubenzieher, um den Mute-Regler (Squelch) ganz nach links (gegen den Uhrzeigersinn) zu drehen ("Min" Position). Drehen Sie ihn dann langsam nach rechts, bis das Rauschen verschwindet. Ist bei keiner Reglerstellung Rauschen zu vernehmen, lassen Sie ihn ganz gegen den Uhrzeigersinn auf der "Min" Position gedreht (womit die Gesamtreichweite am größten wird).

14. Wenn Sie Ihr AirLine System zum ersten Mal in einer neuen Umgebung einrichten, ist es nicht die schlechteste Idee, durch einen kleinen Spaziergang sicherzustellen, dass der gesamte Aufführbereich erfasst wird. Dementsprechend senken Sie den Pegel Ihres Audio-Systems und schalten Sender und Empfänger ein. Stellen Sie dann bei nicht stummgeschaltetem Sender den ursprünglichen Pegel Ihres Audio-Systems wieder her, und schreiten Sie, während Sie reden oder singen, den abzudeckenden Bereich ab. Dabei beobachten Sie die RF-Anzeige am Empfänger, um sicherzustellen, dass er ein ausreichend starkes RF-Signal empfängt (beim CR77 oder Empfänger sollten alle Segmente der RF-Pegelanzeige an sein). Versuchen Sie immer, die Distanz zwischen Sender und Empfänger möglichst gering zu halten, so dass von allen beabsichtigten Sendestellen das stärkstmögliche Signal empfangen wird. In manchen Umgebungen kann es wünschenswert sein, die Empfängerantenne(n) anders als vertikal auszurichten. Wo größere Bereiche erfasst werden müssen, sollte der Samson CR77 True-Diversity-Empfänger (auf den gleichen Kanal eingestellt wie der Sender) verwendet werden. Für Video-Anwendungen sollten Sie den Samson Micro-Diversity-Empfänger benutzen.

Wenn Sie alle Schritte durchgeführt haben und trotzdem Schwierigkeiten auftauchen, setzen Sie sich mit Ihrem lokalen Händler in Verbindung oder, falls das System in den Vereinigten Staaten erworben wurde, rufen Sie den technischen Support von Samson (1-800-372-6766) zwischen 9 Uhr vormittags und 5 Uhr nachmittags an (EST).

¡Bienvenido al Samson AirLine – el sistema inalámbrico para el nuevo milenio! Los micrófonos y los sistemas de instrumentos inalámbricos fueron desarrollados originalmente para eliminar los cables y ofrecer una libertad de movimientos incomparable. El AirLine lleva este concepto a un nuevo nivel haciendo que los transmisores sean tan pequeños, ligeros y aerodinámicos que sean prácticamente invisibles, lo que le da al usuario una experiencia de total “libertad real”. Para crear los transmisores inalámbricos más pequeños del mundo, hemos desarrollado una tecnología nueva y exclusiva. Gracias a una circuitería en miniatura y a la capacidad de funcionar con una única pila pequeña de tipo AAA (con una duración media de 14 horas), estos transmisores también ofrecen una mejora en cuanto a recepción inalámbrica y calidad de sonido.

En este manual se describen tres sistemas Samson AirLine distintos. Todos ellos funcionan en el rango de frecuencias 801–805, 863–865 MHz UHF y disponen de un receptor CR77 – que puede ser un receptor de diversidad real CR77 (para aplicaciones profesionales) o un receptor de micro diversidad (mejorado para la producción de pistas de audio profesionales para acompañar a secuencias de vídeo o para emisiones en directo). El sistema UHF AirLine combina un transmisor manual súper-ligero AH1 con un micrófono de diadema Samson Q Series, perfecto para aplicaciones en fitness y actuaciones en directo. El sistema AirLine UHF Wind Instrument combina el AH1 con un micrófono de instrumentos de viento HM40. Este es el primer sistema inalámbrico diseñado para metales e instrumentos de viento que elimina la necesidad de una “petaca” que tenga que ir sujeta al cuerpo unida al micro por cables que limitan la movilidad.

En este manual encontrará una descripción detallada de todas las características y funciones de todos los sistemas AirLine, así como recorridos guiados a través de todos sus componentes, instrucciones paso-a-paso para la configuración y ajuste de su sistema y un completo cuadro de especificaciones técnicas. Si su sistema AirLine fue adquirido en los Estados Unidos, también encontrará una tarjeta de garantía – ¡no olvide rellenarla y devolvérsela por correo! Eso hará que pueda recibir soporte técnico online y que le podamos facilitar información actualizada de este y otros productos Samson en el futuro. Si su sistema AirLine fue adquirido fuera de los Estados Unidos, contacte con su distribuidor local para que le indique los detalles de su garantía. Además, no deje de visitar nuestra página web (<http://www.samsontech.com>) para tener una completa información sobre toda nuestra línea de productos.

**NOTA ESPECIAL** para los compradores de los Estados Unidos: Para el improbable caso de que su sistema AirLine deba ser reparado en algún momento, le será necesario un número de autorización de devolución (RA). Sin este número, la unidad no será aceptada en fábrica. Si ha adquirido este sistema en los Estados Unidos, llame al número de teléfono 1-800-372-6766 para solicitar su número de autorización antes de devolvérselo. Conserve el embalaje original y los materiales de protección que viene dentro de él, y si es posible, envíe la unidad empaquetada con ellos. Si ha adquirido su aparato en otro país distinto a los EE.UU., póngase en contacto con su distribuidor Samson para que le informe de los detalles de lo que debe hacer.

## Samson AirLine **Arranque rápido**

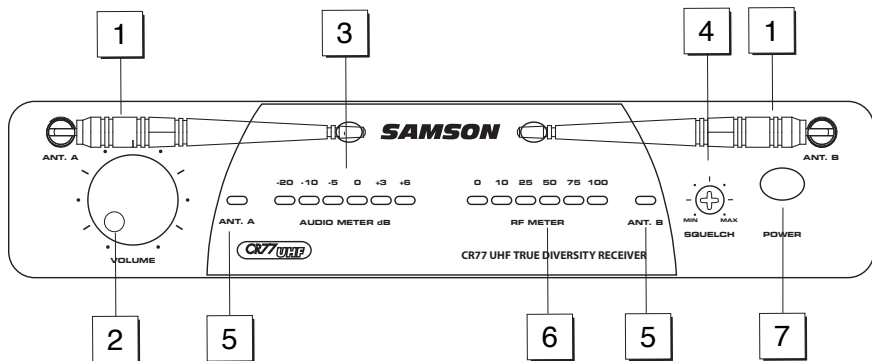
---

¡Si ya tiene alguna experiencia previa sobre el uso de sistemas inalámbricos, estas instrucciones de arranque rápido le ayudarán a que conecte y ponga en marcha su sistema AirLine en cuestión de un par de minutos!. En la página 62 de este manual encontrará instrucciones detalladas sobre el ajuste y uso de su AirLine, y en las secciones de “recorrido guiado” de las páginas 52 - 61 podrá ver la descripción completa de todos los controles e indicaciones del AirLine.

1. Asegúrese de que el receptor incluido y el transmisor AH1 estén ajustados de fábrica al mismo canal.
2. Coloque físicamente el receptor en el lugar en el que lo vaya a usar y extienda verticalmente su antena.
3. Coloque el interruptor de encendido de su transmisor UH1 en la posición “off” (lejos de la flecha) y colóquelo una pila nueva. Después encienda el transmisor momentáneamente; su piloto parpadeará una vez y después se apagará si la pila está suficientemente cargada. Una vez que haya comprobado la carga de la pila, apague el transmisor.
4. Si está usando un micro de diadema AH1, colóquelo correctamente tal como se muestra en las ilustraciones de la página 62. Si está usando un sistema Airline UHF Wind Instrument, sujete el micro de trompeta en su instrumento tal como se describe en el manual de instrucciones del micro Audio-Technica que se incluye.
5. Apague su sistema de sonido y realice la conexión física del cable entre la clavija de salida balanceada o no balanceada del receptor (si es necesario, puede usar ambas simultáneamente) y una entrada de audio de nivel de micro de su amplificador o mezclador. Si su sistema consta de un receptor o CR77, asegúrese de ajustar correctamente su interruptor de nivel de salida audio.
6. Gire el mando de volumen, nivel o nivel AF del receptor completamente a la izquierda. Conecte al receptor el adaptador de corriente que se incluye y enchúfelo por el otro lado a una salida de corriente (o coloque una nueva pila en el receptor), pero déjelo apagado por el momento.
7. Encienda el receptor. Si su sistema dispone de un receptor CR77, su piloto “Power” se quedará iluminado en rojo. (Nota: el receptor

no tiene ningún piloto luminoso).

8. Encienda su transmisor AH1. Si su sistema consta de un receptor AR1, el piloto "Power/ RF" del AR1 debería cambiar de color del rojo al verde, para indicar que está recibiendo una señal RF válida y que está colocado y posicionado correctamente. Si su sistema consta de un receptor CR77 o, uno de los pilotos "A/B Receiver" se iluminará para indicarle que el receptor "A" (izquierdo) o el "B" (derecho) se está usando en ese momento. El medidor CR77/ también indicará la fuerza de la señal RF entrante.
9. Encienda ahora el amplificador y/o mesa de mezclas que tenga conectado pero mantenga su volumen completamente abajo. Asegúrese de que el transmisor AH1 no esté anulado. Ajuste el mando de volumen, nivel o nivel AF del receptor completamente a la derecha; eso será la ganancia unitaria.
10. Hable o cante en su micrófono de diadema (o toque en el instrumento al que haya conectado el micrófono de instrumentos de viento) a un nivel de ejecución normal mientras va aumentando lentamente el control de nivel de entrada audio de su amplificador o mesa de mezclas hasta que consiga el nivel que quiera.
11. Vaya dando una vuelta por la zona que quiera cubrir a la vez que observa el piloto "Power/RF" o el medidor RF del receptor; debería indicar una suficiente recepción RF en todas las zonas de cobertura . Si es necesario, coloque en otro lugar el receptor (o su antena). Si necesita cubrir una zona mayor, puede sustituir este receptor por un receptor de diversidad real Samson CR77 o (ajustado al mismo canal que el transmisor).
12. Si escucha cualquier ruido espúreo proveniente de la salida del receptor cuando el transmisor está apagado, utilice el destornillador de plástico para ajustar el control de nivel de anulación (squelch), girándolo lentamente hacia la derecha hasta que llegue al punto en el que desaparezca el ruido.



**1: Antenas (A y B)** - Los puntos de montaje de antena permiten una rotación total para conseguir una colocación óptima de las mismas. En su funcionamiento normal, tanto la antena A (la de la izquierda), como la antena B (la antena de la derecha) deberían estar colocadas en una posición vertical. Ambas antenas son telescópicas y pueden ser recogidas dentro de sí mismas para un mejor transporte del CR77. Vea la sección de "Ajuste y uso de su sistema AirLine" en la página 62 de este manual para más información para una mayor información acerca de la instalación y colocación de las antenas.

**2: Volume** - Este mando ajusta el nivel de la señal audio que está siendo transmitida a través tanto de los conectores de salida balanceados como no balanceados del panel trasero. El nivel de referencia se consigue cuando el mando se gira completamente a la derecha (hasta su posición "10").

**3: Medidor audio** - Este indicador de "escalera" (parecido a la barra de medición VU que se usa en muchos dispositivos audio) le indica la fuerza de la señal audio entrante. Cuando el segmento "0" esté iluminado, la señal entrante estará optimizada a ganancia unitaria; cuando esté encendido el segmento "+6", la señal estará sobrecargada. Cuando esté iluminado el segmento del extremo izquierdo "-20", la señal tendrá solo el 10% de su nivel óptimo. Si ninguno de los segmentos está encendido, no estará siendo recibida ninguna señal o será muy débil. Vea la sección de "Ajuste y uso de su sistema AirLine" en la página 62 de este manual para más información.

**2: Volume** - Este mando ajusta el nivel de

**4: Squelch** - Este control determina el rango máximo del CR77 antes de la caída de la señal audio. Aunque puede ajustarse usando el destornillador de plástico que se incluye, normalmente se deja con el valor que viene fijado de fábrica. Vea la sección de "Ajuste y uso de su sistema AirLine" en la página 62 de este manual para más información. para una mayor información acerca de este control.

**5: Pilotos de antena A/B** - Cuando se está recibiendo señal, uno de estos pilotos se ilumina en verde indicando que se está utilizando en ese momento bien la antena "A" (izquierda) o la "B" (derecha). El CR77 realiza un barrido constantemente entre las dos y elige automáticamente la que esté recibiendo la señal más potente y clara. Este disparo de diversidad real es completamente inaudible y permite aumentar de forma eficaz el rango global a la vez que elimina virtualmente las interferencias potenciales y los problemas de cancelación de fase.

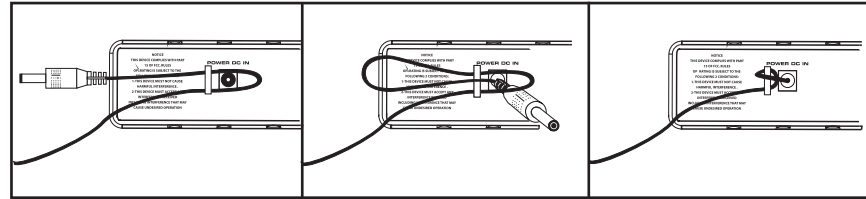
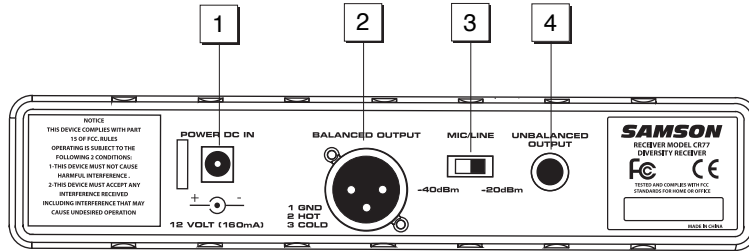
**6: Medidor de nivel RF (Frecuencia de radio)** - Este medidor de 6 segmentos (similar a los medidores de barras VU que se utilizan en los aparatos de audio) indica la fuerza de la señal UHF que está siendo recibida. Cuando todos los segmentos están encendidos, la señal RF entrante estará a la potencia óptima; cuando solo se ilumina el de más a la izquierda, la señal RF entrante tendrá la potencia mínima para la recepción. Si no se ilumina ningún segmento, no se recibirá ninguna señal; asegúrese entonces de que su transmisor esté conectado y que esté ajustado al mismo canal que el CR77. Vea la sección de "Ajuste y uso de su sistema AirLine" en la página 62 de este manual para más información.

**7: Interruptor de encendido** - Utilice este interruptor para encender y apagar el CR77. Cuando el receptor está encendido, el piloto de encendido está iluminado en rojo.



## Recorrido guiado – Receptor CR77

Samson AirLine



información, vea la sección titulada “Ajuste y uso de su sistema AirLine” en la página 62 de este manual.

**4: Salida balanceada\*** - Utilice este conector XLR balanceado electrónicamente y de baja impedancia (600 Ohm) cuando conecte el CR77 a aparatos de audio profesional (+4). El cableado de las puntas es el siguiente: punta 1 masa, punta 2 alto (vivo o activo) y punta tres bajo (frío o pasivo).

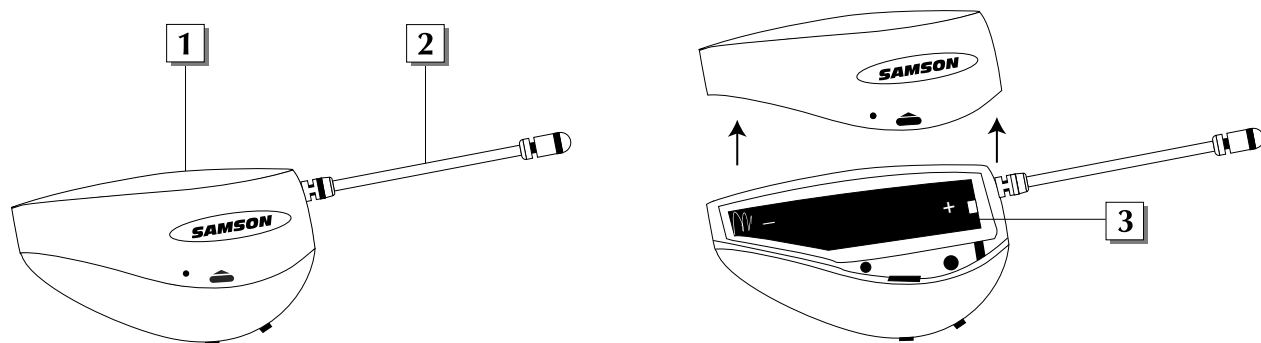
\* Si es necesario, se pueden utilizar de forma simultánea tanto las salidas balanceadas como no balanceadas.

**1: Entrada DC** - Conecte aquí el adaptador de corriente de 12 voltios y 160 mA que se incluye, utilizando la pestaña anti-tirones tal como se ve en la ilustración de abajo.

**ATENCIÓN:** No sustituya este adaptador por otro de ningún otro tipo; el hacer esto puede producir serios daños en el CR77 y anulará su garantía.

**2: Salida no balanceada\*** - Utilice este conector jack de 1/4" no balanceado de alta impedancia (5K Ohm) cuando conecte el CR77 a aparatos de sonido no profesionales (-10). El cableado es el siguiente: punta-vivo, lateral-masa.

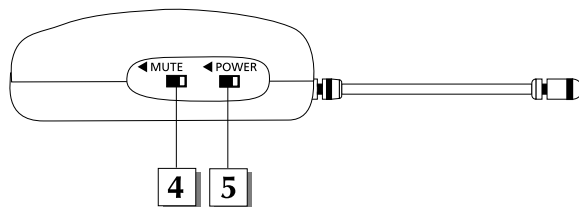
**3: Interruptor de nivel de salida de audio** - Ajusta la atenuación del nivel de salida audio de la salida balanceada (vea #4 siguiente) a -20 dBm (nivel de línea) o -40 dBm (nivel de micro). Para más



**1: Piloto LED Power / Battery** – Este piloto parpadea una vez cuando enciende el AH1 por primera vez y queda iluminado fijo en rojo cuando quedan menos de dos horas de carga en la pila, para indicarle que debe cambiarla por otra nueva.

**2: Antena** – Durante el funcionamiento normal debería estirar completamente esta antena flexible que está unida de forma fija al emisor. Vea la sección de "Ajuste y uso de su sistema AirLine" en la página 62 de este manual para más información sobre la colocación de la antena.

**3: Compartimento de la pila** – Coloque aquí una pila alcalina de tipo AAA standard, asegurándose de seguir las marcas más y menos de polaridad. Le recomendamos usar pilas Duracell. Aunque también puede usar pilas recargables de Ni-Cad, ha de tener en cuenta que no dan el flujo de corriente adecuado durante más de cuatro horas. **PRECAUCION:** Nunca coloque la pila al revés; el hacer eso podría producir serios daños en el AH1 y haría que la garantía quedase anulada.



**4: Interruptor de anulación** – Para anular la señal del AH1 desplace este interruptor en la dirección de la flecha; desplácelo al lado opuesto para dejar sin efecto la anulación y transmitir la señal audio. Dado que la señal portadora se mantiene durante la anulación, no se produce ningún “chasquido” ni “petardeo” al activarlo. Tenga en cuenta que el desactivar esto no hace que el transmisor quede apagado – simplemente es una forma de anular temporalmente la transmisión de la señal de audio. Si no piensa usar el AH1 durante algún tiempo, apáguelo usando el interruptor de encendido on-off (vea el punto 5 siguiente).

**5: Interruptor de encendido** – Mueva este interruptor hacia la flecha para encender el AH1; desplácelo hacia el lado contrario para apagar la unidad. (Para alargar al máximo la carga de las pilas, asegúrese de apagar el AH1 cuando no lo utilice). Asegúrese de anular la señal audio en su mezclador exterior o amplificador antes de encender o apagar el AH1, ya que en caso contrario podría producirse algún tipo de petardeo audible.

El procedimiento básico de ajuste y uso de su sistema AirLine solo le llevará unos pocos minutos:

1. Para que su sistema AirLine funcione correctamente, tanto el receptor como el transmisor deberán estar ajustados al mismo canal. Quite todos los embalajes (guárdelos por si los necesitase en el futuro) y compruebe que tanto el receptor como el transmisor estén ajustados al mismo canal (en la parte interior de la contraportada de este manual puede ver un plano completo de los canales). Si estos canales no coinciden, contacte con su distribuidor o, si adquirió el aparato en los Estados Unidos, con el departamento de soporte técnico de Samson en el teléfono 1-800-372-6766.
2. Coloque físicamente el receptor en el lugar en el que lo vaya a usar (la regla de oro principal es mantener siempre la "línea de visión" entre el receptor y el transmisor de tal forma que la persona que esté usando o que lleve el transmisor encima pueda ver siempre el receptor). Puede montar el CR77 en un rack si quiere (ocupa medio espacio rack), usando un kit adaptador opcional de Samson. El transmisor puede ser colocado en una cámara de vídeo usando las tiras de velcro que se incluyen.
3. Extienda la antena(s) del receptor y colóquela(s) en posición vertical Asegúrese de que el interruptor de encendido on-off de su transmisor AH1 esté ajustado a "Off."
4. Empuje suavemente la tapa de la pila del transmisor AH1 y deslícela hacia arriba para abrir el compartimento. Tenga cuidado cuando esté abriendo esta tapa, dado que una fuerza excesiva puede romper el enganche.
5. Coloque una pila alcalina AAA nueva en el compartimento de la pila del transmisor, poniendo atención en las marcas de polaridad. Después vuelva a colocar la tapa de la pila y empújela suavemente hasta que haga click. Deje el AH1 apagado y aparte por un momento.
6. Realice la conexión física de cables entre el conector de salida del receptor y una entrada audio de nivel de micro en su amplificador o mesa de mezclas. Es preferible usar el conector XLR balanceado, dado que emite una señal más limpia desde el punto de vista electromagnético. Si fuese necesario, puede usar tanto las salidas balanceadas como las no balanceadas simultáneamente. Si su sistema dispone de un receptor CR77 o, asegúrese de ajustar correctamente su interruptor de nivel de salida audio (vea las páginas 54 y 56 para más detalles). Deje su amplificador (y/o mesa de mezclas) apagado por ahora.
7. Gire el control de volumen, nivel o nivel AF del receptor completamente a la izquierda. Conecte el adaptador de corriente que incluimos a la entrada del CR77 y enchúfelo por el otro lado a una salida de corriente (el receptor también puede funcionar con pilas o con una fuente de alimentación de 12 voltios de la cámara de vídeo a la que esté conectado). Empuje el interruptor de corriente en la dirección de la flecha para

encender el receptor. Si en su sistema hay un receptor CR77, su piloto "Power" también quedará iluminado en rojo. (Nota: el receptor no tiene ningún indicador de encendido).

8. Encienda su transmisor AH1 (utilizando el interruptor de encendido on-off); el piloto "Power/Battery" parpadeará si la pila tiene carga suficiente (si a la pila le quedan menos de dos horas de carga y debe ser sustituida, el piloto se quedará iluminado fijo). Si su sistema consta de un receptor CR77 o, uno de los pilotos "A/B Receiver" se iluminará para indicarle que el receptor "A" (izquierdo) o el "B" (derecho) se está usando en ese momento. El medidor CR77/ también indicará la fuerza de la señal RF entrante.

9. Ahora ha llegado el momento de ajustar los niveles audio. Encienda el amplificador y/o mesa de mezclas que tenga conectados pero mantenga su volumen totalmente abajo. Asegúrese de que el transmisor AH1 no esté anulado (su interruptor Mute debería estar en la posición más alejada de la flecha). Ajuste entonces el mando de volumen, nivel o nivel AF totalmente a la derecha; esta es la ganancia unitaria.

10. Hable o cante en su micrófono de diadema (o toque en el instrumento al que haya conectado el micrófono de instrumentos de viento) a un nivel de ejecución normal mientras va aumentando lentamente el control de nivel de entrada audio de su amplificador o mesa de mezclas hasta que consiga el nivel que quiera. El receptor le permite monitorizar la señal de transmisión usando unos auriculares de 30 ohmios de tipo Walkman conectados a su salida de auriculares.

11. Si escucha cualquier tipo de distorsión al nivel de volumen elegido, compruebe si el piloto rojo "Peak" del receptor está encendido. Si no es así, asegúrese de que la estructura de ganancia de su sistema de sonido esté ajustada correctamente (consulte el manual de instrucciones de su mesa de mezclas y/o amplificador para más detalles). Si el piloto rojo "Peak" está encendido, simplemente aleje un poco el micro de sus labios.

12. Y de forma opuesta a lo anterior, si escucha una señal muy débil y con ruidos al nivel de volumen deseado, asegúrese de que la estructura de ganancia de su sistema de sonido esté ajustada correctamente (consulte el manual de instrucciones de su mesa de mezclas y/o amplificador para más detalles) y que el control de volumen, nivel o nivel AF del receptor esté totalmente a la derecha. Si todo esto es correcto y la señal que viene del receptor sigue siendo débil y/o ruidosa, simplemente acerque el micro más a su boca.

13. Disminuya temporalmente el nivel de su sistema mezclador/amplificador y apague su transmisor, dejando el receptor encendido. Restaure entonces el nivel ajustado anteriormente en su amplificador/mesa de mezclas. Con el transmisor apagado, la salida del receptor debería ser el silencio total – si es así, pase directamente al siguiente paso. Si esto no ocurre (es decir, si escucha algún tipo de ruido), puede que deba ajustar el control de anulación (squelch) del receptor. Cuando el control de anulación está en su ajuste mínimo, el sistema AirLine ofrece siempre el rango máximo sin caídas del sonido; no obstante, dependiendo del entorno concreto en que se utilice su sistema, puede que tenga que reducir

## Samson AirLine **Ajuste y uso de su sistema AirLine**

---

ese rango un poco de cara a eliminar la banda de ruidos que se escucha cuando el AH1 está apagado. Para hacer eso, utilice el destornillador incluido para girar el control de anulación completamente a la izquierda (hasta la posición "Min"), y girarlo después lentamente hacia la derecha hasta que desaparezca el ruido. Si no se escucha ningún ruido en ninguna posición, deje este mando en la posición de más a la izquierda "Min" (para conseguir el máximo rango global posible).

14. Cuando ajuste por primera vez su sistema AirLine en un nuevo entorno, siempre es una buena idea darse una vuelta por la zona para asegurarse de que tiene cobertura en todo el escenario o la zona de la ejecución. Para ello, disminuya el nivel de su sistema de audio y encienda tanto el transmisor como el receptor. Entonces, con el transmisor no-anulado, restaure el nivel de su sistema de audio y mientras habla o canta, vaya dando una vuelta por toda la zona que tenga que ser cubierta. Según lo va haciendo, observe la indicación o medidor RF del receptor para asegurarse de que está recibiendo una señal RF suficientemente fuerte (en los receptores CR77 o, todos los segmentos del medidor de nivel RF deberían estar encendidos). Trate siempre de reducir al mínimo la distancia entre el transmisor y el receptor de tal forma que se reciba siempre la señal más fuerte posible desde todos los puntos de transmisión de la zona. En determinados entornos, puede que le venga bien colocar la antena en una posición diferente a la vertical. Para aplicaciones videográficas, puede usar el receptor de microdiversidad de Samson.

Si ha seguido todos los pasos anteriores y tiene cualquier tipo de problemas, contacte con su distribuidor local o, si compró el aparato en los Estados Unidos, llame por teléfono al departamento de soporte técnico de Samson (1-800-372-6766) en horario de 9 AM a 5 PM EST.

# Specifications *Samson AirLine*

---

## **Transmitter (AH1)**

Operating Power Voltage	1.5V Typical, 1.05V Minimum, 2V Maximum
Current Consumption	60mA Typical
Battery Life	14 Hours (AAA size battery)
RF Output Power (5mW)	-4dB Minimum, +3dB Maximum
Frequency Stability	-40kHz Minimum, 40kHz Maximum
Spurious	1 $\mu$ W
Modulation Factor	13kHz Minimum, 15kHz Typical, 17kHz Maximum, Input 1kHz-20dBv
Input Impedance (Mic)	2K ohms
THD	< 2% (1 kHz deviation 15kHz)
Audio Frequency Response	50Hz - 15kHz ( $\pm$ 3.5 dB)
Controls	Power Switch, Mute Switch Volume
Input	2.5mm Stereo Jack
Indicators	Power On (LED Flash), Low Battery (LED On)

# Samson AirLine Specifications



---

## CR77 Receiver

Receiving Frequencies	USA 801-806 mHz (U1-U6), Europe 863-865 mHz (E1-E4)
Oscillation Type	PLL
De-emphasis	50 msec
IF Frequency	10.7 MHz
A/B Antennas	1/4 Wavelength Rod
In/Out	DC Inlet, Balanced Output, Unbalanced Output
Display (LED)	Receiver A/B (Green), Power On (Red), AF Level (6 segment), RF Level (6 segment)
Level Control	Audio Level Volume, Squelch Level Control
Operating Temperature	0° C / 50° C
Operating Voltage	12 Volts ±10%
Current Consumption	160 mA (all LED lights illuminated)
Receiving Frequency Range	801 – 805 MHz or 863 – 865 MHz
Sensitivity	18 dBm (@ THD 2%)
Squelch Sensitivity	0 - 40 dBm (Adjustable)
Selectivity	±150 kHz (AF Out Ratio -60 dB)
T.H.D. (Overall)	1% Max (@AF 1 kHz, RF 46 dBu)
S/N Ratio (Overall)	90 dB (w/IHF-A Filter)
Residual Noise	90 dBv (w/IHF-A Filter)
Band Squelch	±40 kHz / ±100 kHz (RF IN: 46 dBu EMF)
AF Frequency Response	50 Hz - 15 kHz (±3 dB overall)
Audio Output Level - Unbalanced	0 dBv
Audio Output Level - Balanced (slide switch selectable)	-20 dBm (Line), -40 dBm (Mic)
Audio Output Impedance - Unbalanced	5 k Ohms
Audio Output Impedance - Balanced	600 Ohms



# Samson AirLine **AirLine Channel Plan**

<b>AirLine / AirLine 77 UHF Wireless System</b>	
Country Code Code de Pays Laender-Kuezel	Authorised Frequency Range Bande de Fréquences Autorisée Frequenzbereich
AT, BE, CH, DK, ES, FI, GB, IE, NL, NO, PT, SE	863 – 865 MHz
DE, FR, IT *	801 – 806 MHz, 863 – 865 MHz
GR	801 – 806 MHz
US, CA, IT *	642 – 646 MHz
* For other countries please contact your national frequency authority for information on available legal frequencies and legal use in your area.	
<b>CE0678</b>  <b>N382</b> 	

Channel	Frequencies	Channel	Frequencies	Channel	Frequencies
N1	642.375 MHz	U1	801.375 MHz	E1	863.125 MHz
N2	642.875 MHz	U2	801.875 MHz	E2	863.625 MHz
N3	644.125 MHz	U3	803.125 MHz	E3	864.500 MHz
N4	644.750 MHz	U4	803.750 MHz	E4	864.875 MHz
N5	645.500 MHz	U5	804.500 MHz		
N6	645.750 MHz	U6	804.750 MHz		

## **FCC Rules and Regulations**

**Samson wireless systems are type accepted under FCC rules parts 90, 74 and 15.**

**Licensing of Samson equipment is the user's responsibility and licensability depends on the user's classification, application and frequency selected.**

**This device complies with RSS-210 of Industry & Science Canada.**

**Operation is subject to the following two conditions:  
(1) this device may not cause harmful interference and (2) this device must accept any interference received, including interference that may cause undesired operation.**





**Samson Technologies Corp.**  
**45 Gilpin Avenue**  
**Hauppauge, New York 11788-8816**  
**Phone: 1-800-3-SAMSON (1-800-372-6766)**  
**Fax: 631-784-2201**  
**[www.samsontech.com](http://www.samsontech.com)**