



COMPLIANCE LISTING GUIDE

XT75 Control Panel

DIGITAL MONITORING PRODUCTS, INC.

MODEL XT75 CONTROL PANEL COMPLIANCE LISTING GUIDE

© 2024 Digital Monitoring Products, Inc.

Information furnished by DMP is believed to be accurate and reliable.
This information is subject to change without notice

CONTENTS

Before You Begin.....	1
Wiring Diagrams.....	2
System Diagrams.....	2
Listed Compliance Specifications.....	3
Bypass Reports	3
Current Draw	3
Battery Standby.....	3
Auxiliary and Bell Current	3
Cross Zoning.....	3
App Key	3
Compliance.....	4
Household Burglar-Alarm System Units - ANSI/UL 1023.....	4
Central Station Burglar Alarm Units - ANSI/UL 2610.....	4
Household Fire Warning System - ANSI/UL 985 NFPA 72 Specifications.....	5
System Sensor 2-Wire Smoke Detectors	6
Specifications.....	7
Power Supply	7
Enclosure.....	7
Communication.....	7
Keypads/Expansion	7
Panel Zones.....	7
Number of Zones.....	7
Outputs.....	7
Certifications.....	8
ETL Listed.....	8
FCC Information	8
Industry Canada Information.....	8

BEFORE YOU BEGIN

This guide provides compliance information for the DMP XT75 Control Panel. After this introduction, the remaining sections describe the functions along with the available options. Before starting, we recommend that you read through the contents of this guide. The information contained here allows you to quickly learn the operation, functionality, and programming options of the panel to meet specific applications.

SYSTEM COMPONENTS

Wiring Diagram

The system wiring diagram shows some of the accessory devices for use in various applications. A description of each module follows.

Lightning Protection

Metal Oxide Varistors and Transient Voltage Suppressors help protect against voltage surges on input and output circuits. This transient protection provides additional resistance to electrical surges such as lightning. Additional surge protection is available by installing the DMP 370 or 370RJ Lightning Suppressors.

Accessory Devices

CELLULAR COMMUNICATOR CARDS

263LTE Series Cellular Communicator	Allows you to connect the XT75 to the Verizon, AT&T, or FirstNet LTE network.
263EXT Cellular Extension Module	Allows you to remote the cell module away from the panel.

ZONE AND OUTPUT EXPANSION MODULES

710 Bus Splitter/Repeater	Increases keypad wiring distance to 2500 feet.
711, 711S Single Point Zone Expander	Provides one Class B zone for burglary devices and non-powered fire devices.
712-8 Zone Expander	Provides 8 zones for burglary devices.
714, 714-8, 714-16 Zone Expander	Provides Class B zones for burglary and non-powered fire devices.
715, 715-8, 715-16 Zone Expander	Provides 12 VDC Class B powered zones for smoke detectors, glassbreak detectors, and other 2- or 4-wire devices.
860, 860-4 Relay Output Module	Provides one relay and three relay sockets for expansion of up to four relays.

INTERFACE MODULE

734 Access Control Module	Provides arming, disarming, and codeless entry using access control readers.
738Z+ Z-Wave Interface Module	Provides connection for Z-Wave modules.

WI-FI MODULE

763 Module	Allows you to add Wi-Fi alarm signal communication to XT75 panels.
------------	--

KEYPADS

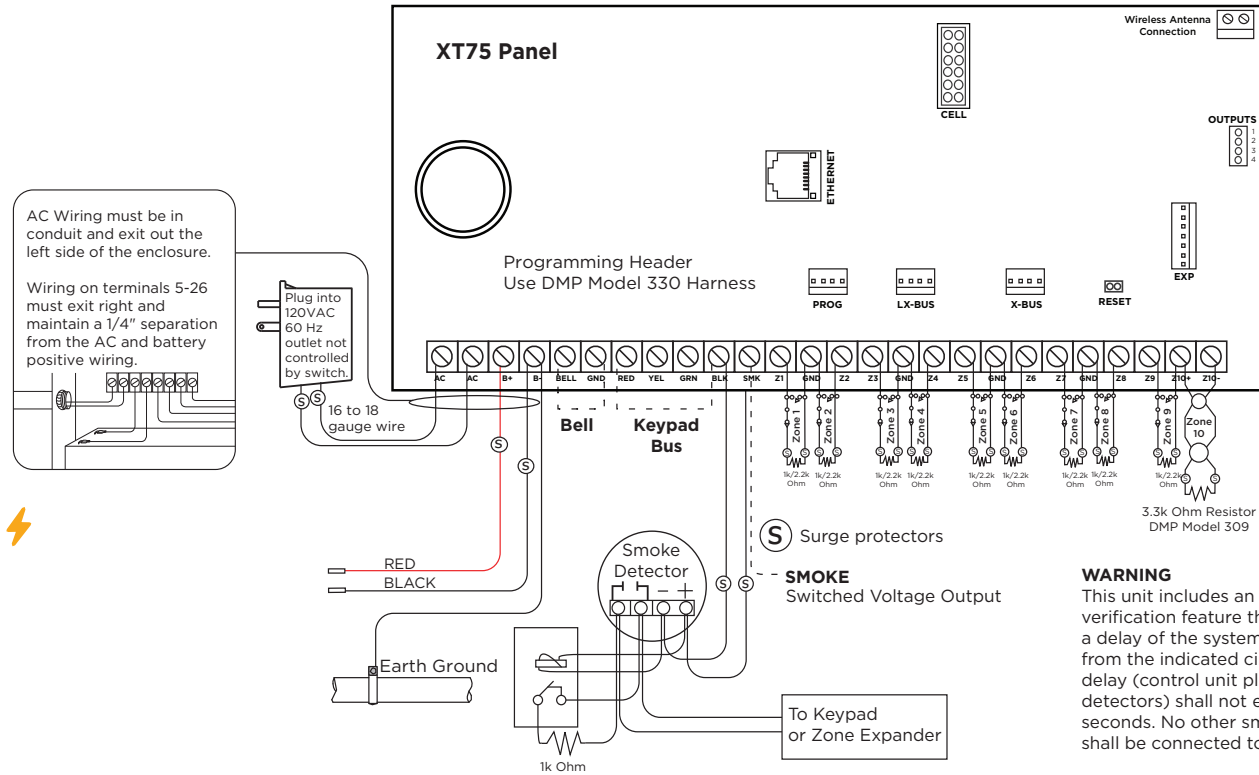
7000 Series Thinline™ and Aqualite™ Keypad	Allows you to control the panel from various remote locations. Connect up to eight keypads. Model 7060, 7063, 7070, 7073, 7160, 7173 Thinline™ Keypads, 7060A and 7073A Aqualite™ Keypads, 7360, 7363 Thinline Icon Series Keypads to the keypad bus using terminals 7, 8, 9, and 10.
7800 Series 5-Inch Touchscreen Keypads	Allows you to control the panel from various remote locations. Connect up to eight keypads. 7872 and 7873 Graphic Touchscreen Keypads.
8860 Series 7-Inch Touchscreen Keypads	Allows you to control the panel from various remote locations. Refer to the Network section for available number of keypads based on panel settings. 8860 Graphic Touchscreen Keypad using a hardwired or Wi-Fi connection.
9000 Series Wireless LCD Keypads	Allows you to control the panel from various remote locations. Connect up to seven keypads. 9060, 9063 Wireless Keypads.
9800 Series Wireless Graphic Touchscreen Keypads	Allows you to control the panel from various remote locations. Connect up to seven keypads. 9862 Wireless Keypads.

DMP TWO-WAY WIRELESS DEVICES

1100XH/1100XHE Receiver	Supports transmitters in residential or commercial wireless operation on the keypad bus. The 1100XHE features 128-bit AES encryption.
1100R/1100RE Repeater	Provides additional range for wireless devices. The 1100RE features 128-bit AES encryption.
11100T/1100TF Translator	Allows upgrades of non-DMP systems with one way, low frequency, wireless transmitters to DMP.
1101 Universal Transmitter	Provides both internal and external contacts that may be used at the same time to yield two individual reporting zones from one wireless transmitter. Provides Disarm/Disable functionality. The 1101 features built-in optional 128-bit AES encryption.
1102 Universal Transmitter	Provides one external contact. Provides Disarm/Disable functionality. The 1102 features built-in optional 128-bit AES encryption.
1103 Universal Transmitter	Provides both internal and external contacts that may be used at the same time to yield two individual reporting zones from one wireless transmitter. Requires EOL resistor for external contact. Provides Disarm/Disable functionality. The 1103 features built-in optional 128-bit AES encryption.
1106 Universal Transmitter	Provides both internal and external contacts that may be used at the same time to yield two individual reporting zones from one wireless transmitter. Provides Disarm/Disable functionality. The 1106 features built-in optional 128-bit AES encryption.
1107 Micro Window Transmitter*	Provides a window transmitter and magnet.
1108 Doorbell Module*	The 1108 Doorbell Module monitors doorbell button presses.
1114 Four-Zone Expander*	Provides four wireless zones with EOL resistors.
1115 Temperature Sensor and Flood Detector*	Temperature and flood detector with an internal temperature sensor. Can be paired with 470LS or T280R remote sensors.
1116 Relay Output*	Provides one Form C relay.
1117 LED Annunciator*	Provides a visual system status indicator.
1119 Door Sounder*	Provides a battery operated sounder.
1122 PIR Motion Detector*	Provides motion detection with pet immunity.
1126R PIR Motion Detector*	Ceiling mount motion detector with panel programmable sensitivity and Disarm/Disable functionality.
1127C/1127W PIR Motion Detector	Wall mount motion detector with panel programmable sensitivity and Disarm/Disable functionality.
1128 Glassbreak Detector*	Detects the shattering of framed glass mounted in an outside wall and provides full-pattern coverage and false-alarm immunity.
1132 Recessed Contact*	Provides concealed protection for doors, windows or other applications.
1134 Access Control Module	Allows you to use the access control capability of DMP Panels using smartcard, proximity, mag stripe, or biometric readers, or other compatible authentication devices.
1135/1135E Siren	Provides a wireless siren. The 1135E features 128-bit AES encryption.
1136 Remote Chime	The 1136 Wireless Remote Chime is a multi-function sounder that plugs directly into a standard 110 VAC wall outlet.
1139 Bill Trap*	Provides a silent alarm option for retail and banking cash drawers.
1141 Wall Button*	One button wall mounted wireless transmitter.
1142BC Two-Button Panic Belt Clip Transmitter	Provides portable two-button panic operation. The 1142BC features built-in optional 128-bit AES encryption.
1142 Two-Button Panic Transmitter	Provides permanently mounted under-the-counter two-button panic operation. The 1142 features built-in optional 128-bit AES encryption.
1144-4 (Four-Button)* 1144-2 (Two-Button)* 1144-D (Dual-Button)* 1144-1 (One-Button)*	Key Fob transmitters designed to clip onto a key ring or lanyard. The key fob transmitters feature built-in optional 128-bit AES encryption.
1148 Personal Pendant*	One button one-button, wireless emergency transmitter designed to be worn as a wristband or on a break-away lanyard.
1154 4-Zone Input Module*	Converts up to four existing normally closed, hardwired zones into wireless zones.
1158 Eight-Zone Input Module*	Converts up to eight existing normally closed, hardwired zones into wireless zones.
1164/1164NS Commercial Smoke	Battery powered, wireless, low profile, photoelectric smoke detector. The 1164 also offers a synchronized sounder.
1166 Smoke Ring	Installed with any traditional AC-powered interconnected smoke detector system and provides an audible alert in the event of a fire.
1168 CO/Smoke Detector	Wireless CO/Smoke/Low Temp detector.
1183-135F Heat Detector	Fixed temperature heat detector.
1183-135R Heat Detector	Fixed temperature and rate-of-rise heat detector.
1184 Carbon Monoxide Detector	Carbon Monoxide Detector.

* These devices have not been investigated and shall not be used in listed installations.

WIRING DIAGRAM



USE MARKING

Commercial Central Station; Household Fire and Burglar Warning System Control Unit (PSDN: IP or Cellular)

TYPES OF SERVICE

Suitable for Household Fire and Household Burglary. Test weekly.

LISTED APPLICATIONS

For listed applications the maximum current from a combination of bell output and auxiliary output is 2.5 amps.

NFPA 72

This equipment should be installed in accordance with Chapter 11 of the National Fire Alarm Code, ANSI/NFPA 72-2002, (National Fire Protection Association, Batterymarch Park, Quincy, MA 02269). Printed information describing proper installation, operation, testing, maintenance, evacuation planning, and repair service is to be provided with this equipment. Warning: Owner's instruction notice, not to be removed by anyone except occupant.

HOUSEHOLD FIRE WIRING

Recognized limited energy cable must be used for connection of all initiating, indicating, and supplementary devices.

POWER LIMITED

All circuits on the Model XT75 panel comply with the requirements for inherent power limitation and are Class 2.

DMP TRANSFORMERS

Model 327:
16.5 VAC 50 VA Class 2 plug-in.

MAXIMUM OUTPUT PER CIRCUIT

- Keypad - 1 A
- LX-Bus/X-Bus - .70 A
- Bell - 1.5 Amps
- Smoke - .23 Amp

Caution: Cannot exceed 2.5 Amps combined

ZONE 10 COMPATIBILITY IDENTIFIER

A

MAXIMUM OPERATING RANGE

8.8 VDC - 14.2 VDC

AUXILIARY OUTPUT

Minimum voltage on Auxiliary output to process Sensor trips is 10.4VDC.

EXP HEADER

The 763 Wi-Fi Module includes a cable to connect to the panel and operates at 12 VDC from the panel power supply.

SECONDARY POWER SUPPLY

1.2 Amps maximum charging current. Use only 12 VDC rechargeable batteries. Replace every 3 to 5 years.

LISTED RESISTORS

1.0k Ohm - DMP Model 311
3.3k Ohm - DMP Model 309

MAXIMUM AC WIRE DISTANCE

16 gauge wire: 70 feet
18 gauge wire: 40 feet

ZONES 1-9

1k or 2.2k Ohm EOL on each zone

ZONE 10

Heat detectors, manual pull stations, or any other shorting device. Unlimited number of units.

Verification Zone 10	Control Unit Delay 13.6 sec.	Smoke Model	Detector Delay ____sec.
For Wireless Devices, Control Unit delay is 0 (zero)			

LISTED COMPLIANCE SPECIFICATIONS

The programming and installation specifications contained in this section must be completed when installing the XT75 in accordance with any of the ANSI/UL burglary standards. Additional specifications may be required by a particular standard.

Bypass Reports

The bypass reports must be programmed as **YES** for all listed burglary applications.

Current Draw

The total current draw from a combination of auxiliary, smoke, and bell output terminals must not exceed 2.5 Amps.

Battery Standby

Use battery Models 365 (12 VDC 9 Ah) or 366 (12 VDC 18 Ah) with the XT75 panel when installed in the 340, 349, or 349A enclosures. The Model 364 (12 VDC 1.3 Ah) battery is for use with the XT75 panel when using the 341 enclosure with the optional 341B Battery Bracket. The Model 364 battery is rated for 4 hours of standby time.

App Key

The Remote Option App Key has not been evaluated for use in listed applications.

COMPLIANCE

Household Burglar-Alarm System Units - ANSI/UL 1023

Bell Cutoff

The bell cutoff time cannot be less than four minutes.

Entry Delay

The maximum entry delay used must not be more than 45 seconds.

Exit Delay

The maximum exit delay used must not be more than 60 seconds.

Wireless External Contact

When used, the External Contact of 1101, 1102 or 1106 must be programmed Normally Closed.

Wireless Supervision Time

The Zone Information Supervision Time cannot be set to 0 (zero).

Wireless Audible Annunciation

The Wireless Audible option must be selected as DAY for residential applications.

Panel Location

Mount panel inside protected area.

Test Frequency

The Test Frequency option must be programmed to send a report at least once every 30 days.

Central Station Burglar Alarm Units - ANSI/UL 2610

Central Station

Commercial Burglary is provided when the Check-in and Fail Time time is set to 3 minutes for Net or Cell communication.



Note: The SecureCom Wireless text plan selected for the panel should match or exceed the programmed Monthly Limit or additional cellular charges may apply.

Central Station

MESSAGE TO TRANSMIT programming for zones must not be set to LOCAL (L).

Closing Wait

Automatic Bell Test and Opening/Closing must be set to **YES** to enable Closing Wait. Closing Wait provides a delay time before a monitored system arms until the panel receives an acknowledgment of the closing report from the central station receiver.

Household Fire Warning System - ANSI/UL 985 NFPA 72 Specifications

Bell Output Definition

The bell output must be programmed to operate steady on burglary alarms and temporal on fire alarms. See the XT75 Installation and Programming Guide (LT-2894).

Household System

An alarm sounding device must be installed indoors so that it is clearly heard in all sleeping areas.

Household Fire Warning

Recognized limited energy cable must be used for connection of all initiating, indicating, and supplementary devices.

Wireless Supervision Time

The Zone Information Supervision Time must be 3 minutes for fire devices. See the XT75 Installation and Programming Guide (LT-2894).

Battery Standby

For UL listed applications, the panel must have 24 Hour battery standby operation. The Model 364 battery should not be used for fire installations.

Alarm Verification

Alarm Verification must only be enabled on smoke detectors that do not employ an integral alarm verification feature.

Model 860

When using the Model 860 Relay Output, a fire and non-fire device must not share a relay.

Test Frequency

The Test Frequency option must be programmed to send a report at least once every 30 days.

EVACUATION PLAN

The National Fire Protection Association recommends that you establish an emergency evacuation plan to safeguard lives in the event of a fire or other emergency.

Draw a Floor Plan

On a clean sheet of paper, draw the walls, windows, doors, and stairs of your home or business. Draw any obstacles, such as large furniture and appliances, that a person may encounter while existing the building.

Develop Escape Routes

Determine at least two routes the occupants in each room can take to safely escape. Routes can include doors and easily opened windows. If the window is high off the ground, an escape ladder should be provided. Draw arrows on the floor pan to show escape routes from each room.

Decide Where to Meet

Prearrange a meeting place outside and away from where emergency personnel are likely to be working. Good locations include a neighbor's house or across the street. Always perform a head count to ensure all occupants safely exited.

⚡ Caution: Never enter a burning building. If the head count shows one of more people are missing, tell authorities immediately. Never enter a building to look for someone.

Practice Escape Plans

For an escape plan to be effective, everyone should practice escape routes from each room.

Get Out Early

The best way to survive a fire or other emergency is to get out early. A fire alarm system installation with smoke and carbon monoxide detectors in each room can greatly decrease your risk of loss or injury.

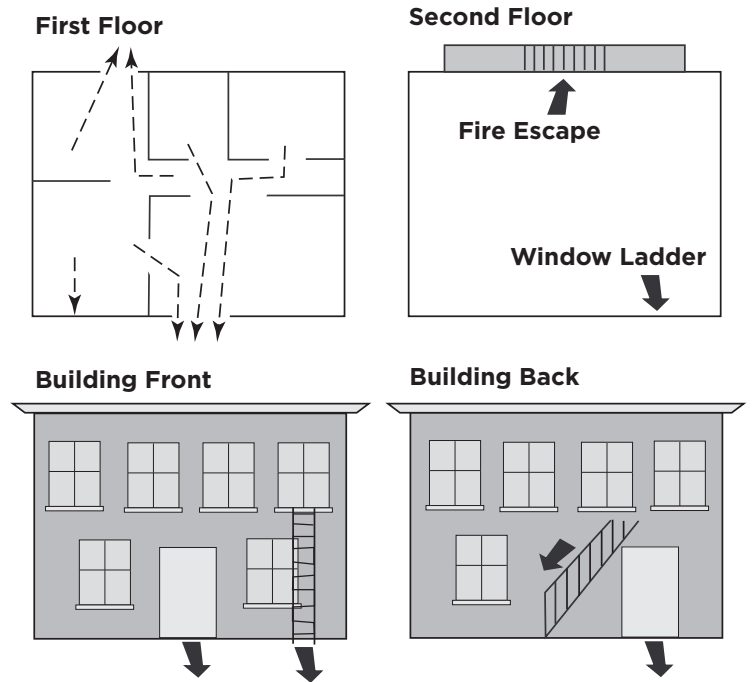


Figure 1: Escape Route Map

TROUBLESHOOTING

This section provides troubleshooting information for use when installing or servicing an XT75 system.

PROBLEM	POSSIBLE CAUSE	POSSIBLE SOLUTIONS
Keypad displays "SYSTEM TROUBLE"	RESET Jumper is installed.	Remove the RESET reset jumper.
	Open or short on the green data wire to the keypad.	Check for broken or shorted wires between the panel and the keypad.
	Bad keypad or zone expander is affecting the Green data wire.	Replace keypad or zone expander.
Keypad keyboard is not functional. When a key is pressed, only a short beep is emitted.	Open or short on the yellow data wire to the keypad.	Check for broken or shorted wires between the panel and the keypad.
	Bad keypad or zone expander is affecting the Yellow data wire.	Replace keypad or zone expander.
Keypad XMIT Green LED is off	Panel is reset.	Remove RESET jumper.
	Flash Load enabled.	Remove LOAD jumper and reset panel.
Keypad RCV Yellow LED is off	Keypad/expanders are not connected to panel.	Connect keypad/expanders.
	Keypad/expanders are greater than eight.	Check keypad/expanders address.
Keypad beeps when keys are pressed, but will not allow the user to arm or disarm, or enter the User Menu.	Two or more keypads are assigned to the same address.	Set each keypad on the system to a unique address.
Power LED is off.	AC/Battery is not connected.	Connect AC power and/or battery.
Wireless Green TX LED is off.	Wireless House Code is not programmed.	Program House Code in System Options.
Wireless Yellow RX LED never flashes.	Transmitters are not getting through to receiver.	Check transmitter serial numbers.
		Move transmitter closer.
		Replace 1100 series receiver.
Wireless Green TX and Yellow RX LEDs are both on steady	Panel is reset.	Remove RESET jumper.
	Flash Load enabled	Remove LOAD jumper and reset panel.
Keypad operates intermittently, keystrokes may be missed, or display does not update consistently.	Wire length may exceed maximum, resulting in poor data performance.	Wire length can be reduced or a heavier gauge used.
		A power supply can be added near the keypad. See LT-2031, LX-Bus/Keypad Bus Wiring Application Note for more information.

Common LCD Keypad Displays

Listed below are several keypad messages you may see on the display. Follow the instructions in the "Possible Solutions" column to correct the problem.

MESSAGE	MEANING	POSSIBLE SOLUTIONS
INVALID CODE	The user code entered is not recognized by the system.	Check the user code and try again.
CLOSING TIME	The system was not armed at its scheduled closing time.	Users still on the premise should arm the system or extend the schedule to a later time.
AC TROUBLE	The system AC is low or missing.	Check that the AC connections are good from the transformer.
BATTERY TROUBLE	The System battery is either low or missing.	Check to see that battery and connections are good.
SYSTEM BUSY	The system is performing another task with a higher priority or is being Remote Programmed.	Wait a few moments for the system to complete the task. Make sure the RESET jumper is not on the panel. If the message displays for several minutes, the keypad is not receiving polling from the panel.
TRANSMIT FAIL	The panel has attempted to communicate with the central station multiple times and has not succeeded.	Verify your communication type, account number, and phone number. Make sure the telephone line is connected and working properly.

LED Status

Listed below are types of LED statuses and conditions.

LED	STATUS	CONDITION
Power (Steady Green)	On	AC Good
Power (Steady Green)	Off	AC Bad
Bus XMIT	Flashing	Data Out
Bus RCV	Flashing	Data In

SPECIFICATIONS

Power Supply

Maximum output per circuit

 **Caution:** Cannot exceed 2.5 Amps combined output with 50 VA transformer

Transformer Input	Plug-in — 16.5 VAC 50 VA, Model 327
Standby Battery	12 VDC, 1.0 Amps Max. charging current Models 364, 365, 366, 368, or 369 Replace every 3 to 5 years
Auxiliary Output	1 Amp
LX-Bus/X-Bus Output	.70 Amp
Bell Output	1.5 Amps
Smoke Detector Output	.23 Amp

All circuits inherent power limited.

 **Note:** Please see the [“Listed Compliance Specifications”](#) section for certificated application requirements.

Enclosure

The XT75 ships standard in a 340 enclosure with EOL resistors, battery leads, and user’s guide.

MODEL	SIZE	COLOR	CONSTRUCTION (COLD ROLLED STEEL)
340	12.5 W x 9.5 H x 2.75 D in 31.8 W x 24.1 H x 7.0 D cm	Gray (G)	20-Gauge
349	12.5 W x 11.5 H x 3.5 D in 31.8 W x 29.2 H x 8.9 D cm	Gray (G)	20-Gauge
349A	13.3 W x 11.6 H x 3.6 D in 33.7 W x 29.6 H x 9.1 D cm	Gray (G)	18-Gauge with 16-Gauge door
341	13.0 W x 6.6 H x 3.5 D in 33.0 W x 16.6 H x 8.9 D cm	Gray (G)	20-Gauge

Communication

- ▶ Built-in network communication to DMP Model SCS-1R or SCS-VR Receivers
- ▶ Modular cellular communication to DMP Model SCS-1R or SCS-VR Receivers
- ▶ Modular Wi-Fi network alarm signal communication to DMP Model SCS-1R or SCS-VR Central Station Receivers.

Keypads/Expansion

- ▶ Connect up to eight supervised alphanumeric keypads per panel, seven of which can be wireless keypads.
- ▶ Connect additional unsupervised keypads: 7-Inch Touchscreen, 5-Inch Touchscreen, Thinline™, Aqualite™
- ▶ In addition, the following zone expanders can be added:
 - ▶ One, four, eight and 16-zone expansion modules
 - ▶ Single-zone PIR and glassbreak detectors

Panel Zones

- ▶ Nine 1k or 2.2K ohm EOL burglary zones: zones 1 to 9
- ▶ One 3.3k ohm EOL Class B powered fire zone with reset capability: zone 10

Number of Zones

- ▶ Onboard zones 1-10
- ▶ Eight keypad bus addresses with zones 11-14, 21-24, 31-34, 41-44, 51-54, 61-64, 71-74, and 81-84.
- ▶ Zone numbers 450-474 (slow) and 480-499 (fast) can support DMP wireless output modules
- ▶ Zone numbers 400-449 can support 1100 Series Key Fobs
- ▶ Up to 50 hardwired zones numbered 500-549 and up to 100 wireless zones numbered 500-599 using the LX-Bus

Outputs

- ▶ The XT75 provides four open collector outputs rated for 50 mA each. A Model 300 Output Harness is required. The open collector outputs provide the ground connection for a positive voltage source.

CERTIFICATIONS

- ▶ FCC Part 15 Registration ID CCKPC0252
- ▶ Industry Canada ID: 5251A-PC0252

ETL Listed

ANSI/UL 1023	Household Burglar
ANSI/UL 985	Household Fire Warning
ANSI/UL 2610	Central Station Burglar

FCC Information

This equipment has been tested and found to comply with the limits for a Class B digital device, pursuant to part 15 of the FCC Rules. These limits are designed to provide reasonable protection against harmful interference in a residential installation. This equipment generates, uses and can radiate radio frequency energy and, if not installed and used in accordance with the instructions, may cause harmful interference to radio communications. However, there is no guarantee that interference will not occur in a particular installation. If this equipment does cause harmful interference to radio or television reception, which can be determined by turning the equipment off and on, the user is encouraged to try to correct the interference by one or more of the following measures:

- Reorient or relocate the receiving antenna.
- Increase the separation between the equipment and receiver.
- Connect the equipment into an outlet on a circuit different from that to which the receiver is connected.
- Consult the dealer or an experienced radio/TV technician for help.

Changes or modifications not expressly approved by the party responsible for compliance could void the user's authority to operate the equipment.

This device has been designed to operate with the 1100 Series antenna listed in the Accessory Devices section, and having a maximum gain of 1.9 dB. Antennas not included in this list or having a gain greater than 1.9 dB are strictly prohibited for use with this device. The required antenna impedance is 50 ohms.

RF Exposure: This equipment complies with FCC RF Exposure requirements and should be installed and operated with a minimum distance of 20cm between the radiator and any part of the human body.

If necessary, the installer should consult the dealer or an experienced radio/television technician for additional suggestions. The installer may find the following booklet, prepared by the Federal Communications Commission, helpful: "How to identify and Resolve Radio-TV Interference Problems."

This booklet is available from the U.S. Government Printing Office, Washington D.C. 20402 Stock No. 004-000-00345-4.

This device complies with part 15 of the FCC Rules. Operation is subject to the following two conditions:

1. This device may not cause harmful interference, and
2. this device must accept any interference received, including interference that may cause undesired operation.

Industry Canada Information

This device contains license-exempt transmitters/receivers that comply with Innovation, Science and Economic Development Canada's license-exempt RSS standards. Operation is subject to the following two conditions:

1. This device may not cause interference, and
2. this device must accept any interference, including interference that may cause the undesired operation thereof.

This equipment complies with RSS-102 radiation exposure limits set forth for an uncontrolled environment and meets the RSS-102 radio frequency (RF) exposure guidelines. This equipment should be installed and operated keeping the radiator at least 20 cm or more away from person's body.

Cet appareil est conforme aux normes RSS exemptes de licence d'Industrie Canada. Son fonctionnement est soumis aux deux conditions suivantes:

1. *Cet appareil ne doit pas causer d'interférences, et*
2. *ce appareil doit accepter toute interférence, y compris les interférences pouvant entraîner un fonctionnement indésirable.*

Cet équipement est conforme aux limites d'exposition aux radiations RSS-102 établies pour un environnement non contrôlé et répond aux directives d'exposition aux radiofréquences (RF) RSS-102. Cet équipement doit être installé et utilisé en maintenant le radiateur à au moins 20 cm ou plus du corps de la personne.



Designed, engineered, and
manufactured in Springfield, MO
using U.S. and global components.

LT-2895 1.01 24401

© 2024

INTRUSION • FIRE • ACCESS • NETWORKS

2500 North Partnership Boulevard
Springfield, Missouri 65803-8877

800.641.4282 | DMP.com