

# APPLICATION SUBMITTAL REPORT

FOR  
FCC And INDUSTRY CANADA  
GRANT OF CERTIFICATION

FOR

Model: XT50-1  
905-925 MHz  
FHSS Transmission System

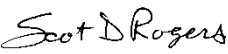
**FCC ID: CCKPC0128**  
**IC: 5251A-PC0128**

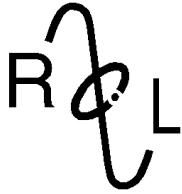
FOR

**Digital Monitoring Products, Inc.**

2500 North Partnership Boulevard  
Springfield, MO 65802-6310

Test Report Number: 131230

Authorized Signatory:   
Scot D. Rogers



**ROGERS LABS, INC.**

4405 West 259<sup>th</sup> Terrace  
 Louisburg, KS 66053  
 Phone / Fax (913) 837-3214

**Engineering Test Report  
 For Application Submittal for  
 Grant of Certification**

FOR  
 CFR 47, PART 15C - Intentional Radiators Paragraph 15.247 and  
 Industry Canada, RSS-210  
 License Exempt Intentional Radiator

For

**Digital Monitoring Products, Inc.**

2500 North Partnership Boulevard  
 Springfield, MO 65802-6310

Model: XT50-1  
 FHSS Transmission System  
 Frequency Range 905-925 MHz  
 FCC ID#: CCKPC0128  
 IC: 5251A-PC0128

Test Date: December 10, 2013

Certifying Engineer: *Scot D. Rogers*  
 Scot D. Rogers  
 Rogers Labs, Inc.  
 4405 West 259<sup>th</sup> Terrace  
 Louisburg, KS 66053  
 Telephone/Facsimile: (913) 837-3214

This report shall not be reproduced except in full, without the written approval of the laboratory.  
 This report must not be used by the client to claim product certification, approval, or  
 endorsement by NVLAP, NIST, or any agency of the Federal Government.



# Table Of Contents

**TABLE OF CONTENTS..... 3**

**REVISIONS..... 4**

**FORWARD ..... 5**

**OPINION / INTERPRETATION OF RESULTS ..... 5**

**STATEMENT OF MODIFICATIONS AND DEVIATIONS ..... 5**

**EQUIPMENT TESTED ..... 6**

**EQUIPMENT FUNCTION AND CONFIGURATION..... 6**

    Equipment Configuration.....6

**APPLICATION FOR CERTIFICATION..... 7**

**APPLICABLE STANDARDS & TEST PROCEDURES ..... 8**

**EQUIPMENT TESTING PROCEDURES ..... 8**

**AC Line Conducted Emission Test Procedure .....8**

        Diagram 1 Test arrangement for Conducted emissions .....9

**Radiated Emission Test Procedure.....10**

        Diagram 2 Test arrangement for radiated emissions of tabletop equipment.....10

        Diagram 3 Test arrangement for radiated emissions tested on Open Area Test Site (OATS).....11

**LIST OF TEST EQUIPMENT ..... 12**

**ENVIRONMENTAL CONDITIONS..... 13**

**TEST SITE LOCATIONS ..... 13**

**UNITS OF MEASUREMENTS ..... 13**

**INTENTIONAL RADIATORS..... 14**

**Antenna Requirements .....14**

**Restricted Bands of Operation.....14**

        Table One Radiated Emissions in Restricted Bands Data .....15



**Summary of Results for Radiated Emissions in Restricted Bands .....15**

**AC Line Conducted Emissions Procedure .....16**

Figure One AC Line Conducted Emissions Line 1.....17

Figure Two AC Line Conducted Emissions Line 2.....17

Table Two AC Line Conducted Emissions Data (Highest Emissions).....18

Table Three AC Line Conducted Emissions Data (Highest Emissions).....18

**Summary of Results for AC Line Conducted Emissions .....18**

**General Radiated EMI Testing Procedure .....19**

Table Four General Radiated Emissions Data (worst-case) .....20

**Summary of Results for General Radiated Emissions .....20**

**Operation in the Band 902 – 928 MHz .....21**

Figure Three Plot of Output Across Operational Band.....21

Figure Four Plot of Occupied Bandwidth (Low Channel).....22

Figure Five Plot of Occupied Bandwidth (Middle Channel).....22

Figure Six Plot of Occupied Bandwidth (High Channel) .....23

Figure Seven Plot Channel Spacing.....23

Figure Eight Plot of Dwell time on Channel .....24

Figure Nine Plot number of times on channel in 20 second period .....24

**Transmitter Emissions Data.....25**

Table Five Transmitter Antenna Conducted Emissions Data .....25

Table Six Transmitter Radiated Emission Data.....26

**Summary of Results for Radiated Emissions of Intentional Radiator .....27**

**ANNEX..... 28**

**Annex A Measurement Uncertainty Calculations.....29**

**Annex B Rogers Labs Test Equipment List.....30**

**Annex C Rogers Qualifications .....31**

**Annex D FCC Site Registration Letter.....32**

**Annex E Industry Canada Site Registration Letter .....33**

## Revisions

Revision 1, Issued January 17, 2014



## Forward

The following information is submitted for consideration in obtaining Grant of Certification for License Exempt FHSS Intentional Radiator operating under CFR 47 Paragraph 15.247 and Industry Canada RSS-210.

Name of Applicant: Digital Monitoring Products, Inc.  
2500 North Partnership Boulevard  
Springfield, MO 65802-6310

Model: XT50-1

FCC I.D.: CCKPC0128 IC: 5251A-PC0128

Frequency Range: 905-925 MHz

Operating Power: 10.1 dBm, (0.010 Watts), Occupied Bandwidth 74.0 kHz, Antennas supported (Dipole 1.8 dBi)

## Opinion / Interpretation of Results

Test Performed	Minimum Margin (dB)	Results
Antenna requirement per CFR 47 15.203	N/A	Complies
Restricted Bands (Tx) Emissions as per CFR 47 15.205 and RSS-210	-9.8	Complies
AC Line Conducted Emissions as per CFR 47 15.207	-25.8	Complies
Radiated Emissions as per CFR 47 15.209 and RSS-210	-3.4	Complies
Radiated Emissions per CFR 47 15.247 and RSS-210 (harmonics)	-2.4	Complies

## Statement of Modifications and Deviations

No modifications to the EUT were required for the unit to demonstrate compliance with the CFR47 Part 15C or RSS-210 emissions requirements. There were no deviations or exceptions to the specifications.

## Equipment Tested

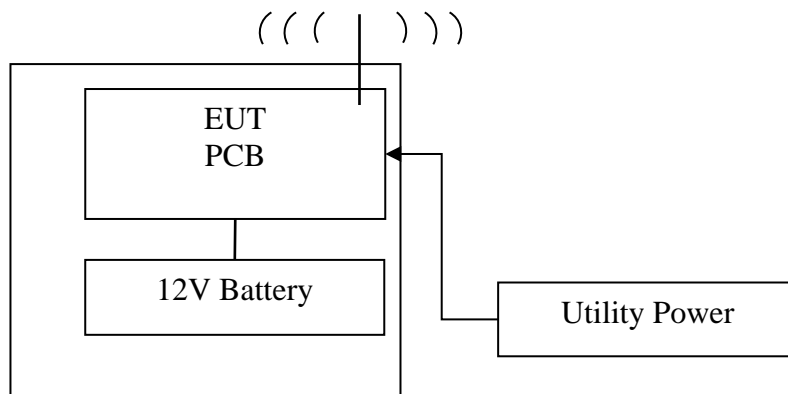
<u>Equipment</u>	<u>Model</u>	<u>FCC I.D. #</u>
EUT	XT50-1	CCKPC0128

Authorized Antennas (1.8 dBi Dipole)

## Equipment Function and Configuration

The EUT is a 905-925 MHz FHSS radio transmitter used to wirelessly interface with remote sensors in an alarm panel installation. The EUT provides wireless communications support for use in an alarm panel/system installation. The XT50-1 Transceiver is the central control panel used for interfacing with remote alarm sensors monitoring sensor conditions in installation environments. The EUT wirelessly communicates with remote sensors and other compliant equipment. The unit is marketed for use to incorporate a wireless link in an alarm system solution. Test software was installed in the test sample allowing the transmitter to operate in defined modes for testing purposes. The modified software allowed the transmitter to be set to operate in defined states depending on activation of a temporary switch attached to the EUT. The unit operates from externally supplied DC power and incorporates connection to battery supply for power outage occurrences. The unit has provision to connect to external auxiliary equipment through relay point contacts or other complaint equipment. Testing of the XT50-1 and support equipment was performed with the EUT placed in the manufacturer defined configuration. As requested by the manufacturer and required by regulations, the equipment was tested for emissions compliance using the available configurations with the worst-case data presented. Test results in this report relate only to the products described in this report

## Equipment Configuration





## Application for Certification

- (1) Manufacturer: Digital Monitoring Products, Inc.  
2500 North Partnership Boulevard  
Springfield, MO 65802-6310
- (2) Identification: Model: XT50-1  
FCC I.D.: CCKPC0128  
IC: 5251A-PC0128
- (3) Instruction Book:  
Refer to Exhibit for Instruction Manual.
- (4) Description of Circuit Functions:  
Refer to Exhibit of Operational Description.
- (5) Block Diagram with Frequencies:  
Refer to Exhibit of Operational Description.
- (6) Report of Measurements:  
Report of measurements follows in this Report.
- (7) Photographs: Construction, Component Placement, etc.:  
Refer to Exhibit for photographs of equipment.
- (8) List of Peripheral Equipment Necessary for operation. The equipment operates from power received from DC power supplied form AC/DC adapter or battery.
- (9) Transition Provisions of 15.37 are not being requested.
- (10) Not Applicable. The unit is not a scanning receiver.
- (11) Not Applicable. The EUT does not operate in the 59 – 64 GHz frequency band.
- (12) The equipment is not software defined and this section is not applicable.

## Applicable Standards & Test Procedures

In accordance with the Federal Communications Code of Federal Regulations, dated October 1, 2013, Part 2, Subpart J, Paragraphs 2.907, 2.911, 2.913, 2.925, 2.926, 2.1031 through 2.1057, and applicable parts of paragraph 15, Part 15C Paragraph 15.247 and Industry Canada standard RSS-210 Issue 8 the following information is submitted. Test procedures used are the established Methods of Measurement of Radio-Noise Emissions as described in the ANSI C63.4-2009, FCC documents KDB 996369, DA00-1407, and DA00-705. Testing for the AC line-conducted emissions were performed as defined in sections 7 and 13.1.3, testing of the radiated emissions was performed as defined in sections 8 and 13.1.4 of ANSI C63.4-2009. Testing of the intentional radiated emissions was performed as defined in section 13 of ANSI C63.4-2009.

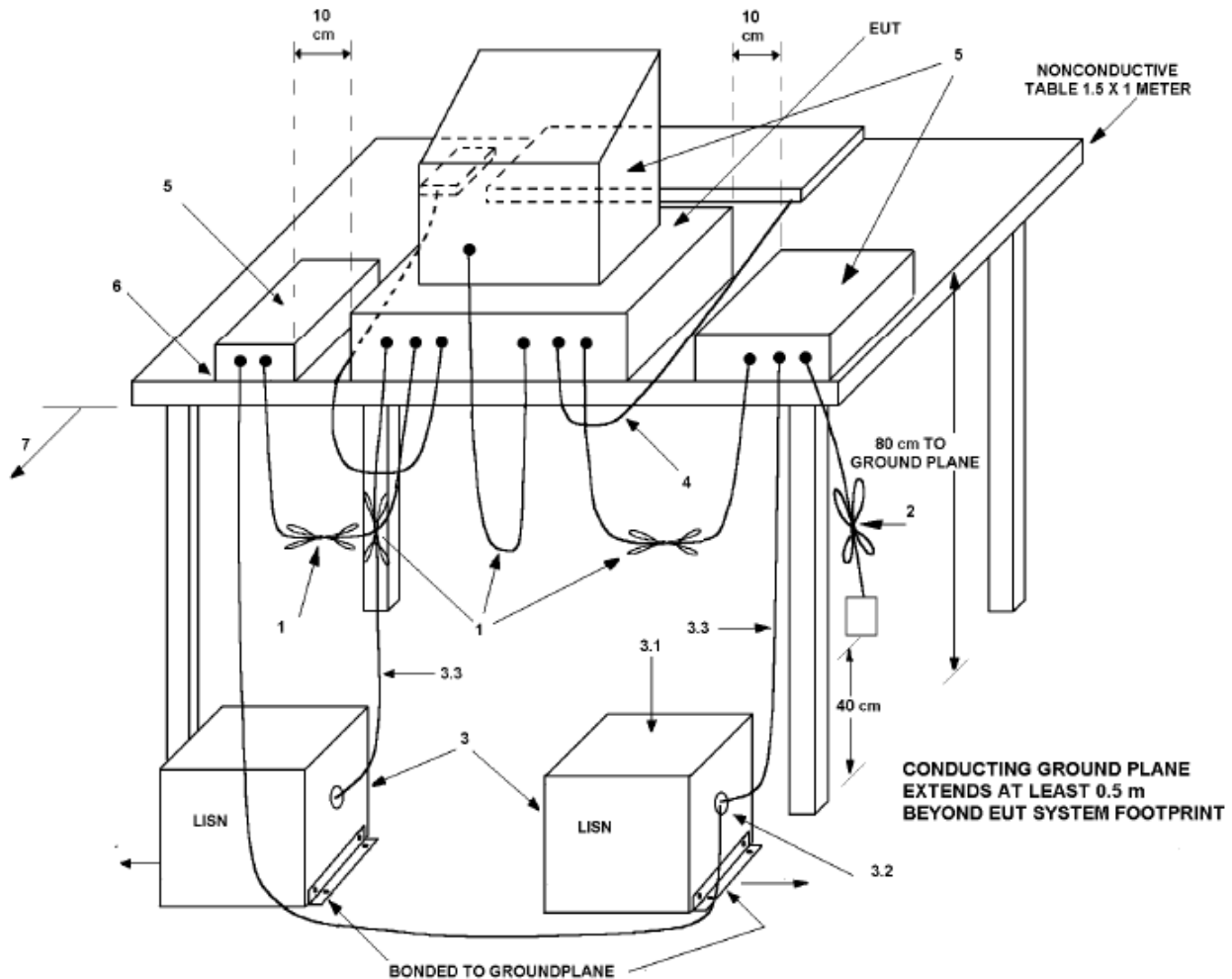
## Equipment Testing Procedures

### *AC Line Conducted Emission Test Procedure*

The EUT operates from DC power only received from the AC/DC power adapter. For testing purposes, the manufacturer supplied AC/DC power adapter was used to power the EUT. Testing for the AC line-conducted emissions testing was performed as defined in sections 7 and 13.1.3 of ANSI C63.4-2009. The test setup including the EUT was arranged in typical equipment configurations and placed on a 1 x 1.5-meter wooden bench, 0.8 meters high located in a screen room. The power lines of the system were isolated from the power source using a standard LISN with a 50- $\mu$ Hy choke. EMI was coupled to the spectrum analyzer through a 0.1  $\mu$ F capacitor internal to the LISN. The LISN was positioned on the floor beneath the wooden bench supporting the EUT. The power lines and cables were draped over the back edge of the table. Refer to diagram 1 showing typical test arrangement and photographs in the test setup exhibits for specific EUT placement during testing. Refer to photographs in the test setup exhibits for EUT placement during testing.



### Diagram 1 Test arrangement for Conducted emissions

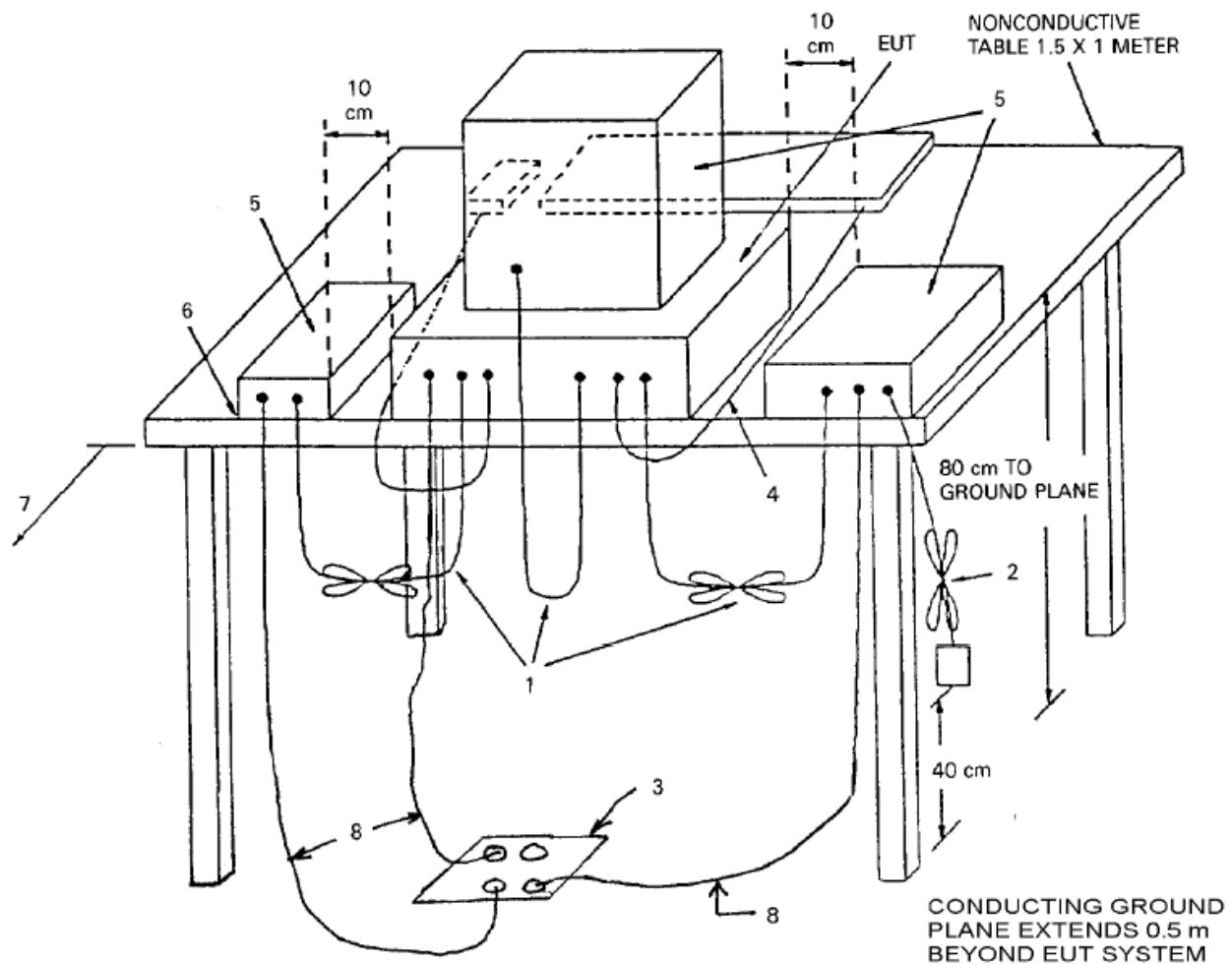


1. Interconnecting cables that hang closer than 40 cm to the ground plane were folded back and forth in the center forming a bundle 30 cm to 40 cm long.
2. Input/output (I/O) cables that are not connected to a peripheral shall be bundled in the center. The end of the cable may be terminated, if required, using the correct terminating impedance. The overall length shall not exceed 1 m.
3. EUT connected to one LISN. Unused LISN measuring port connectors are terminated into 50  $\Omega$  loads. LISN is placed on top of and bonded to reference ground plane.
  - 3.1 All other equipment powered from additional LISN(s).
  - 3.2 Multiple outlet strips can be used for multiple power cords of non-EUT equipment.
  - 3.3 LISN is positioned at least 80 cm from nearest part of EUT chassis.
4. Cables of hand-operated devices, such as keyboards, mice, and so on, shall be placed as for normal use.
5. Non-EUT components of EUT system being tested.
6. Rear of EUT, including peripherals, shall all be aligned and flush with rear of tabletop.
7. Rear of tabletop shall be 40 cm removed from a vertical conducting plane that is bonded to the ground plane (see 5.2.2 for options).

### Radiated Emission Test Procedure

The EUT was placed on a rotating 1 x 1.5-meter wooden platform, 0.8 meters above the ground plane at a distance of 3 meters from the FSM antenna. Testing for the radiated emissions was performed as required by CFR47 15, RSS-210 and specified in sections 8 and 13.1.4 of ANSI C63.4-2009. EMI energy was maximized by equipment placement, raising and lowering the FSM antenna, changing the antenna polarization, and by rotating the turntable. Each emission was maximized before data was taken using a spectrum analyzer. The frequency spectrum from 9 kHz to 25,000 MHz was searched for during preliminary investigation. Refer to diagrams 2 and 3 showing typical test arrangement and photographs in the test setup exhibits for specific EUT placement during testing.

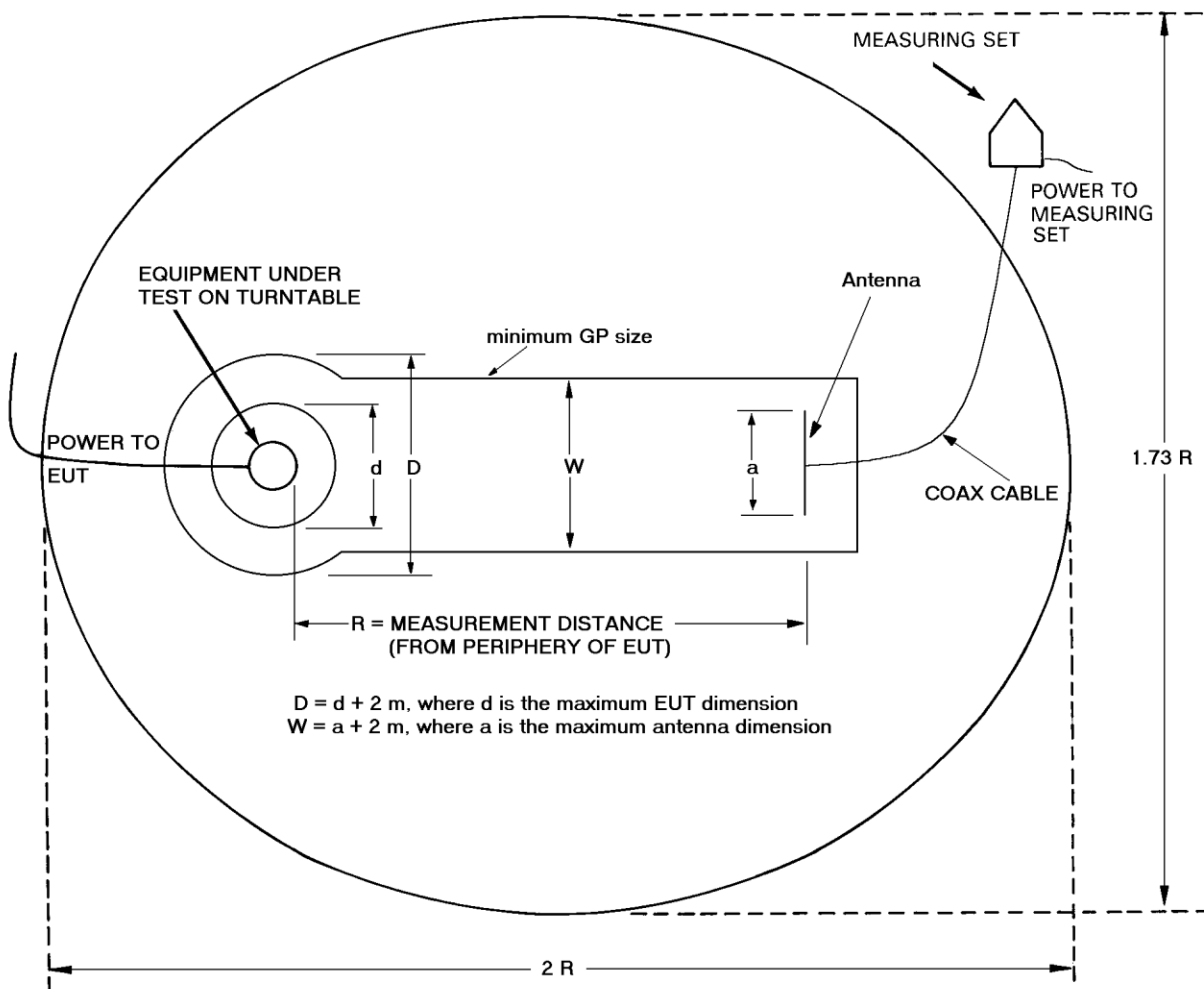
**Diagram 2 Test arrangement for radiated emissions of tabletop equipment**



1. Interconnecting cables that hang closer than 40 cm to the ground plane shall be folded back and forth in the center, forming a bundle 30 cm to 40 cm long.

2. I/O cables that are not connected to a peripheral shall be bundled in the center. The end of the cable may be terminated if required using the correct terminating impedance. The total length shall not exceed 1 m.
3. If LISNs are kept in the test setup for radiated emissions, it is preferred that they be installed under the ground plane with the receptacle flush with the ground plane.
4. Cables of hand-operated devices, such as keyboards, mice, and so on, shall be placed as for normal use.
5. Non-EUT components of EUT system being tested.
6. Rear of EUT, including peripherals, shall all be aligned and flush with rear of tabletop (possibly center of table for transmitter equipment).
7. No vertical conducting plane used.
8. Power cords drape to the floor and are routed over to receptacle.

**Diagram 3 Test arrangement for radiated emissions tested on Open Area Test Site (OATS)**



AREA DIMENSIONS =	R = 3m	R = 10 m	R = 30 m
	6 m x 5.2 m	20 m x 17.3 m	60 m x 52 m

## List of Test Equipment

A Rohde and Schwarz ESU40 and/or Hewlett Packard 8591EM was used as the measuring device for the emissions testing of frequencies below 1 GHz. A Rohde and Schwarz ESU40 and/or Hewlett Packard 8562A Spectrum Analyzer was used as the measuring device for testing the emissions at frequencies above 1 GHz. The analyzer settings used are described in the following table. Refer to the appendix for a complete list of test equipment.

AC Line Conducted Emissions (0.150 -30 MHz)		
RBW	AVG. BW	Detector Function
9 kHz	30 kHz	Peak / Quasi Peak
Emissions (30-1000 MHz)		
RBW	AVG. BW	Detector Function
120 kHz	300 kHz	Peak / Quasi Peak
Emissions (Above 1000 MHz)		
RBW	Video BW	Detector Function
100 kHz	100 kHz	Peak
1 MHz	1 MHz	Peak / Average

<u>Equipment</u>	<u>Manufacturer</u>	<u>Model</u>	<u>Band</u>	<u>Cal Date</u>	<u>Due</u>
<input checked="" type="checkbox"/> LISN	Comp. Design	FCC-LISN-2-MOD.CD	.15-30MHz	10/13	10/14
<input type="checkbox"/> Antenna	ARA	BCD-235-B	20-350MHz	10/13	10/14
<input type="checkbox"/> Antenna	EMCO	3147	200-1000MHz	10/13	10/14
<input checked="" type="checkbox"/> Antenna	Com Power	AH-118	1-18 GHz	10/13	10/14
<input checked="" type="checkbox"/> Antenna	Com Power	AH-840	18-40 GHz	5/13	5/14
<input checked="" type="checkbox"/> Antenna	EMCO	6509	.001-30 MHz	10/13	10/14
<input checked="" type="checkbox"/> Antenna	Sunol	JB-6	30-1000 MHz	10/13	10/14
<input checked="" type="checkbox"/> Antenna	Standard	FXRY638A	10-18 GHz	5/13	5/14
<input type="checkbox"/> Antenna	EMCO	3143	20-1200 MHz	5/13	5/14
<input type="checkbox"/> Analyzer	HP	8591EM	9kHz-1.8GHz	5/13	5/14
<input type="checkbox"/> Analyzer	HP	8562A	9kHz-110GHz	5/13	5/14
<input checked="" type="checkbox"/> Analyzer	Rohde & Schwarz	ESU40	20Hz-40GHz	5/13	5/14
<input checked="" type="checkbox"/> Amplifier	Com-Power	PA-010	100Hz-30MHz	10/13	10/14
<input checked="" type="checkbox"/> Amplifier	Com-Power	CPPA-102	1-1000 MHz	10/13	10/14
<input checked="" type="checkbox"/> Amplifier	Com-Power	PAM-118A	0.5-18 GHz	10/13	10/14



## Environmental Conditions

Ambient Temperature	20.6° C
Relative Humidity	22%
Atmospheric Pressure	1027.5 mb

## Test Site Locations

Conducted EMI	The AC power line conducted emissions testing performed in a shielded screen room located at Rogers Labs, Inc., 4405 W. 259 <sup>th</sup> Terrace, Louisburg, KS
Radiated EMI	The radiated emissions tests were performed at the 3 meters, Open Area Test Site (OATS) located at Rogers Labs, Inc., 4405 W. 259 <sup>th</sup> Terrace, Louisburg, KS
Site Registration	Refer to Annex for Site Registration Letters
NVLAP Accreditation	Lab code 200087-0

## Units of Measurements

Conducted EMI	Data is in dB $\mu$ V; dB referenced to one microvolt
Radiated EMI	Data is in dB $\mu$ V/m; dB/m referenced to one microvolt per meter

### Sample Calculation:

RFS = Radiated Field Strength, FSM = Field Strength Measured

A.F. = Receive antenna factor, Gain = amplification gains and/or cable losses

$RFS (dB\mu V/m @ 3m) = FSM (dB\mu V) + A.F. (dB/m) - Gain (dB)$



## **Intentional Radiators**

As per CFR47, Subpart C, paragraph 15.247 and RSS-210 the following information is submitted.

### ***Antenna Requirements***

The equipment is professionally installed and maintained. The unit is produced with a unique antenna connection used by authorized service personnel and professional installers only. The equipment offers no provision for user service, replacement, or antenna modification. The antenna connection point complies with the unique antenna connection requirements. The requirements are fulfilled and there are no deviations or exceptions to the specification.

### ***Restricted Bands of Operation***

Spurious emissions falling in the restricted frequency bands of operation were measured at a distance of three meters on the OATS. The EUT utilizes frequency, determining circuitry, which generates harmonics falling in the restricted bands. Emissions were measured at the OATS, using appropriate antennas or pyramidal horns, amplification stages, and a spectrum analyzer. Emissions emanating from the EUT in the restricted bands of operation are presented in Table 1. No other significant emissions were observed which fell into the restricted bands of operation.

**Table One Radiated Emissions in Restricted Bands Data**

Frequency in MHz	Horizontal Peak (dBµV/m)	Horizontal Quasi-Peak (dBµV/m)	Horizontal Average (dBµV/m)	Vertical Peak (dBµV/m)	Vertical Quasi-Peak (dBµV/m)	Vertical Average (dBµV/m)	Limit @ 3m (dBµV/m)
2728.7	54.1	N/A	-2.6	62.8	N/A	7.5	54.0
2746.4	52.2	N/A	-4.8	63.1	N/A	8.1	54.0
2773.1	47.8	N/A	-12.6	59.8	N/A	4.3	54.0
3638.3	40.2	N/A	-26.8	50.5	N/A	-7.3	54.0
3661.8	44.0	N/A	-17.7	49.8	N/A	-7.8	54.0
3697.5	49.3	N/A	-18.6	50.5	N/A	-11.6	54.0
4547.9	49.0	N/A	-10.9	49.4	N/A	-6.1	54.0
4577.3	49.3	N/A	-8.8	51.3	N/A	-6.4	54.0
4621.9	47.9	N/A	-13.2	48.5	N/A	-10.0	54.0
5457.5	50.8	N/A	-8.7	50.0	N/A	-10.1	54.0
5492.7	57.2	N/A	0.8	55.4	N/A	-1.4	54.0
5546.3	49.2	N/A	-10.3	49.8	N/A	-9.4	54.0

Other emissions present had amplitudes at least 20 dB below the limit. Quasi-Peak amplitude emissions are recorded above for frequency range of 30-1000 MHz. Average amplitude emissions are recorded above for frequency range above 1000 MHz.

**Summary of Results for Radiated Emissions in Restricted Bands**

The EUT demonstrated compliance with the radiated emissions requirements of CFR 47 Part 15C and RSS-210 Intentional Radiators. The EUT transmitter demonstrated a minimum margin of -45.9 dB below the requirements. The EUT support computer system demonstrated a minimum margin of -9.3 dB below the requirements. Peak, Quasi-peak, and average amplitudes were checked for compliance with the regulations. Worst-case emissions are reported with other emissions found in the restricted frequency bands at least 20 dB below the requirements.

### ***AC Line Conducted Emissions Procedure***

The EUT was arranged in a typical equipment configuration and placed on a 1 x 1.5-meter wooden bench 80 cm above the conducting ground plane, floor of a screen room. The bench was positioned 40 cm away from the wall of the screen room. The LISN was positioned on the floor of the screen room 80-cm from the rear of the EUT. The manufacturer supplied AC power adapter for the EUT test fixture was connected to the LISN. A second LISN was positioned on the floor of the screen room 80-cm from the rear of the supporting equipment of the EUT. All power cords except the EUT were then powered from the second LISN. EMI was coupled to the spectrum analyzer through a 0.1  $\mu$ F capacitor, internal to the LISN. Power line conducted emissions testing were carried out individually for each current carrying conductor of the EUT. The excess length of lead between the system and the LISN receptacle was folded back and forth to form a bundle not exceeding 40 cm in length. The screen room, conducting ground plane, analyzer, and LISN were bonded together to the protective earth ground. Preliminary testing was performed to identify the frequency of each radio frequency emission displaying the highest amplitude. The cables were repositioned to obtain maximum amplitude of measured EMI level. Once the worst-case configuration was identified, plots were made of the EMI from 0.15 MHz to 30 MHz then the data was recorded with maximum conducted emissions levels. Refer to figures one and two for plots of the EUT AC Power Line conducted emissions.



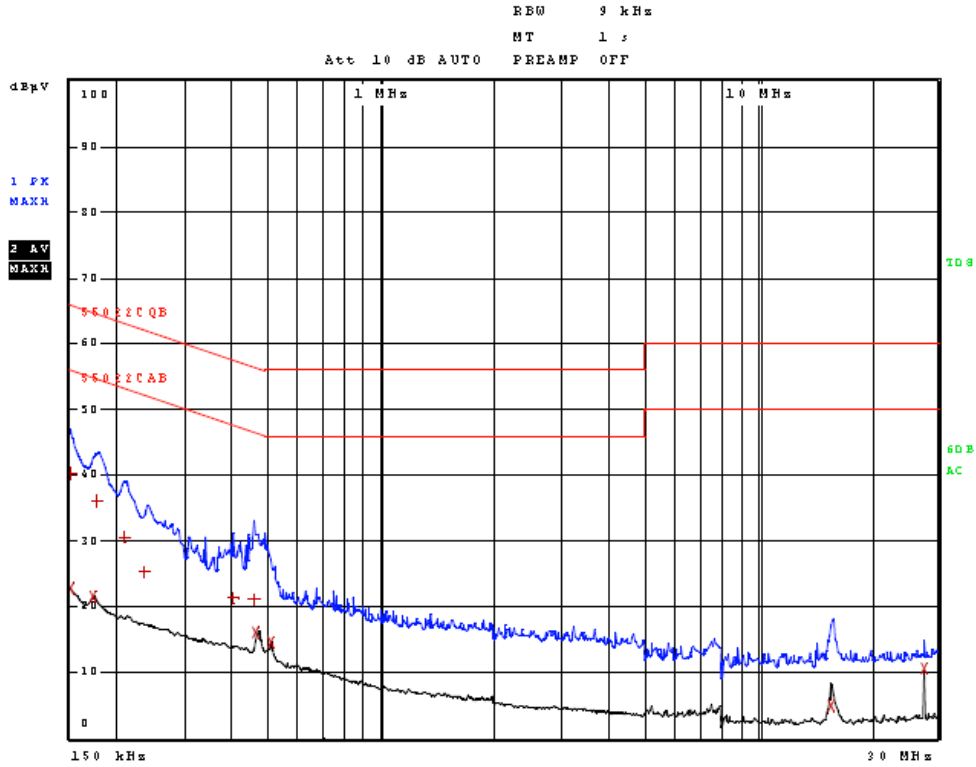


Figure One AC Line Conducted Emissions Line 1

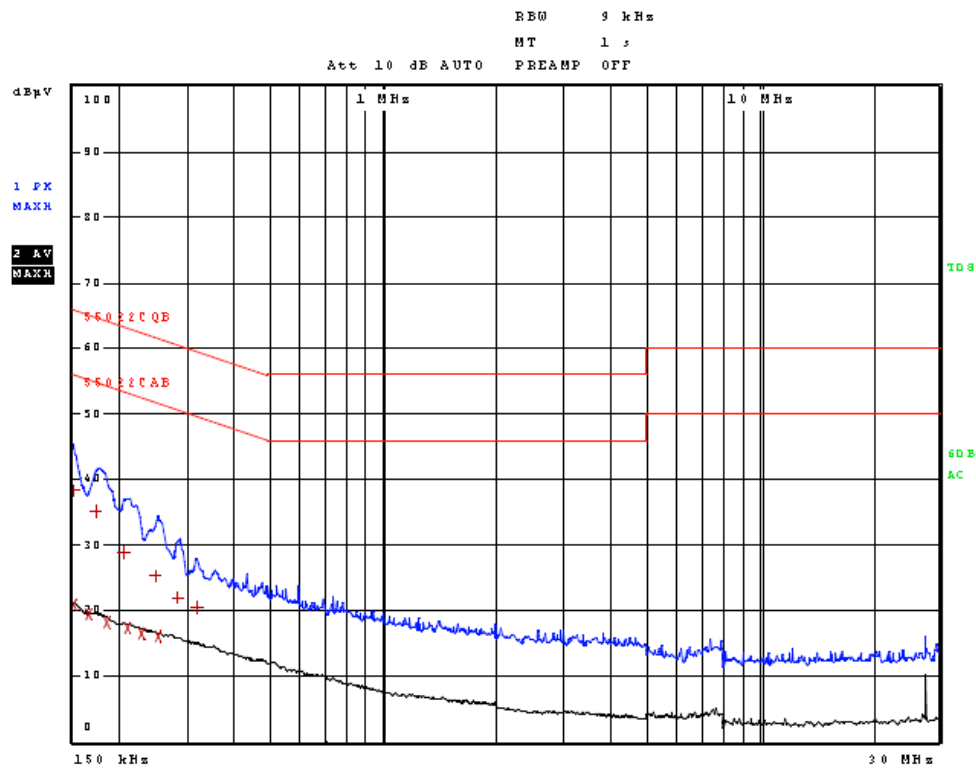


Figure Two AC Line Conducted Emissions Line 2



**Table Two AC Line Conducted Emissions Data (Highest Emissions)**

Trace	Frequency	Level (dBµV)	Detector	Delta Limit/dB
2	150.000000000 kHz	22.81	Average	-33.19
1	150.000000000 kHz	40.14	Quasi Peak	-25.86
2	174.000000000 kHz	21.50	Average	-33.27
1	178.000000000 kHz	35.96	Quasi Peak	-28.61
1	210.000000000 kHz	30.48	Quasi Peak	-32.73
1	238.000000000 kHz	25.32	Quasi Peak	-36.85
1	402.000000000 kHz	21.37	Quasi Peak	-36.45
1	458.000000000 kHz	21.12	Quasi Peak	-35.61
2	466.000000000 kHz	15.97	Average	-30.61
2	506.000000000 kHz	14.53	Average	-31.47
2	15.648000000 MHz	4.85	Average	-45.15
2	27.584000000 MHz	10.68	Average	-39.32

Other emissions present had amplitudes at least 20 dB below the limit.

**Table Three AC Line Conducted Emissions Data (Highest Emissions)**

Trace	Frequency	Level (dBµV)	Detector	Delta Limit/dB
2	150.000000000 kHz	20.90	Average	-35.10
1	150.000000000 kHz	38.25	Quasi Peak	-27.75
2	166.000000000 kHz	19.38	Average	-35.78
1	174.000000000 kHz	35.15	Quasi Peak	-29.62
2	186.000000000 kHz	18.15	Average	-36.06
1	206.000000000 kHz	28.85	Quasi Peak	-34.51
2	210.000000000 kHz	17.38	Average	-35.82
2	230.000000000 kHz	16.51	Average	-35.94
1	250.000000000 kHz	25.23	Quasi Peak	-36.52
2	254.000000000 kHz	16.01	Average	-35.62
1	286.000000000 kHz	22.01	Quasi Peak	-38.63
1	318.000000000 kHz	20.51	Quasi Peak	-39.25

Other emissions present had amplitudes at least 20 dB below the limit.

**Summary of Results for AC Line Conducted Emissions**

The EUT demonstrated compliance with the conducted emissions requirements of CFR47 Part 15C and RSS-210 equipment. The EUT demonstrated minimum margin of -25.8 dB below the limit. Measurements were taken using the peak, quasi peak, and average, measurement function for each emissions amplitude and were below the limits stated in the specification. Other emissions were present with recorded data representing worst-case amplitudes.



## **General Radiated EMI Testing Procedure**

The EUT was arranged in the test fixture emulating worst-case equipment configuration and operated through all available modes with worst-case data recorded. Preliminary testing was performed in a screen room with the EUT positioned 1 meter from the FSM. Investigations were performed to identify the frequencies, which produced the highest radiated emissions. Radiated emission investigations were performed from 9 kHz to 12,000 MHz with the EUT positioned in three orthogonal axes per regulations. Frequencies of interest were recorded for use during testing on the OATS. Each investigated emission was then maximized at the OATS site before final radiated emissions measurements were performed. Final data was taken with the EUT located at the open area test site at a distance of 3 meters between the EUT and the receiving antenna. Test procedures of ANSI C63.4-2009 paragraphs 13.1 and 8.3.1.2 were used during radiated emissions testing. Peak and average amplitudes of frequencies above 1000 MHz were compared to the required limits with worst-case data presented below. Measured emission levels were maximized by EUT placement on the table, changing cable location, rotating the turntable through 360 degrees, varying the antenna height between 1 and 4 meters above the ground plane and changing antenna polarization between horizontal and vertical. Antennas used were Loop from 0.09 to 30 MHz, Broadband Biconical from 30 MHz to 200 MHz, Log Periodic from 200 MHz to 1 GHz, and/or Biconilog from 30 MHz to 1000 MHz, Double-Ridge, and/or Pyramidal Horns and appropriate amplification stages above 1 GHz.

**Table Four General Radiated Emissions Data (worst-case)**

Frequency in MHz	Horizontal Peak (dBµV/m)	Horizontal Quasi-Peak (dBµV/m)	Horizontal Average (dBµV/m)	Vertical Peak (dBµV/m)	Vertical Quasi-Peak (dBµV/m)	Vertical Average (dBµV/m)	Limit @ 3m (dBµV/m)
144.0	34.7	32.9	N/A	33.2	30.6	N/A	43.5
175.0	26.5	23.3	N/A	29.9	27.0	N/A	43.5
198.0	27.8	25.3	N/A	31.1	29.0	N/A	43.5
200.0	34.4	31.2	N/A	35.9	31.9	N/A	43.5
212.4	36.9	32.3	N/A	35.6	34.2	N/A	43.5
216.0	39.5	37.3	N/A	40.7	39.6	N/A	43.5
288.0	43.1	42.6	N/A	42.5	41.6	N/A	46.0
300.0	40.8	39.6	N/A	33.8	32.0	N/A	46.0

Other emissions present had amplitudes at least 20 dB below the limit.

Quasi-Peak amplitude emissions are recorded above for frequency range of 30-1000 MHz.

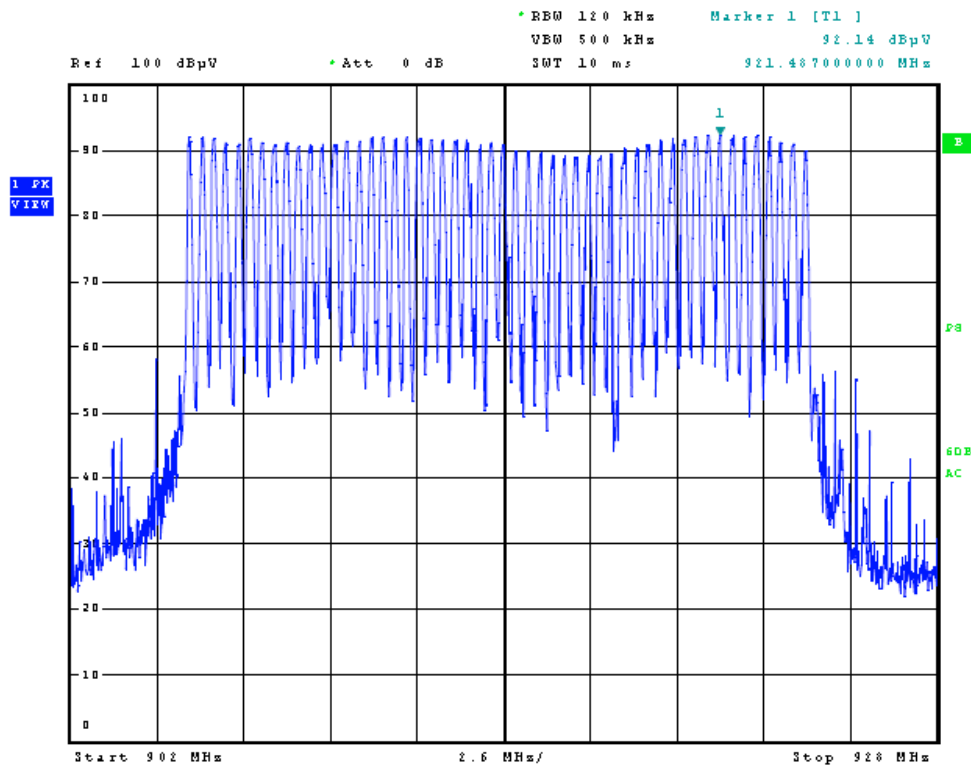
Average amplitude emissions are recorded above for frequency range above 1000 MHz.

**Summary of Results for General Radiated Emissions**

The EUT demonstrated compliance with the general radiated emissions requirements of CFR47 Part 15.247 and RSS-210. The EUT demonstrated a minimum margin of -3.4 dB below general radiated emissions requirements. There are no other significantly measurable emissions in the restricted bands other than those recorded in this report. Other emissions were present with amplitudes at least 20 dB below the requirements.

### Operation in the Band 902 – 928 MHz

The power output was measured at the open area test site at a three-meter distance with the authorized antenna system. Band edge and harmonic radiated emission measurements were taken while EUT was operated in both FHSS and test modes. Data presented below represents worst-case emissions from all modes investigated during testing. Harmonic emissions measurement data presented in below takes into account Duty Cycle Correction Factor (DCF) reduction of -18.3 dB as authorized in 47 CFR paragraph 15.35 and RSS-GEN paragraph 4.5. The DCF was calculated using the absolute maximum transmitter on time (12.1mS) over a 100 millisecond period ( $20 \cdot \log[12.1/100] = -18.3$ ). Figures three through nine represent transmitter emissions across the frequency spectrum in compliance with the FHSS requirements of 15.247(c) and RSS-210.



**Figure Three Plot of Output Across Operational Band**

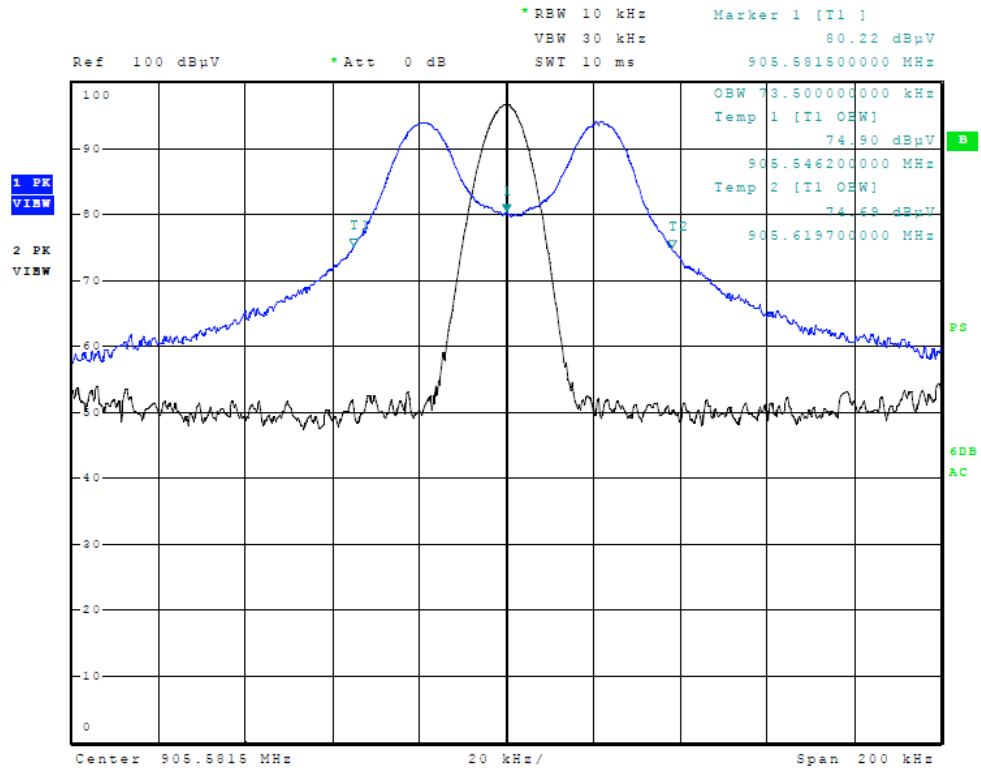


Figure Four Plot of Occupied Bandwidth (Low Channel)

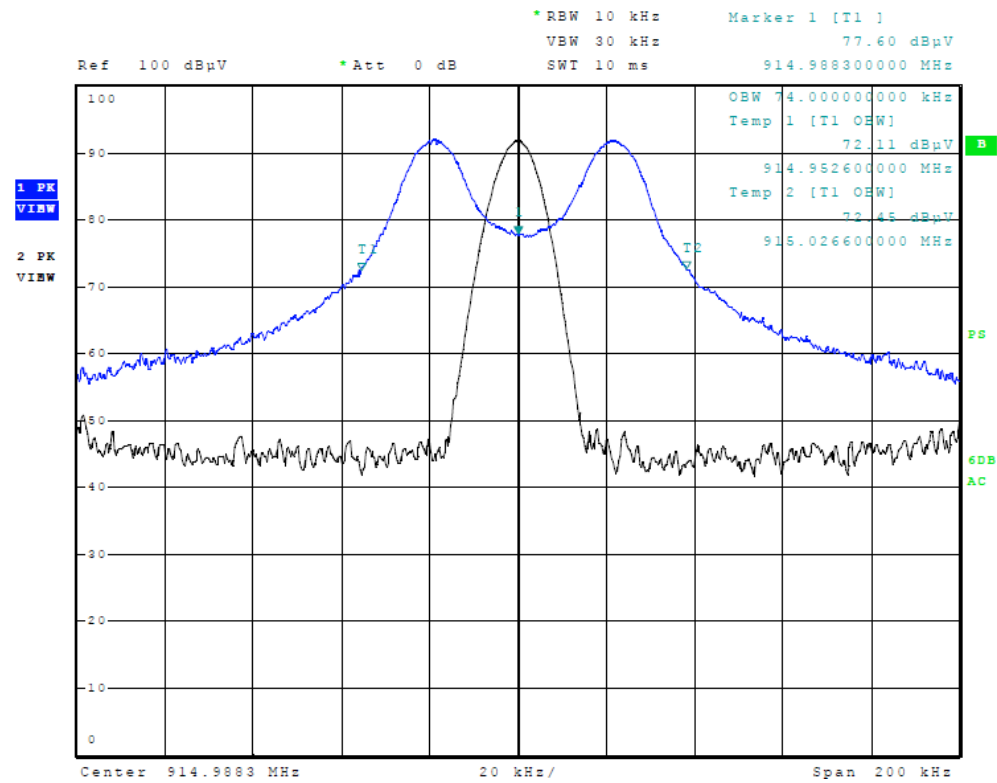
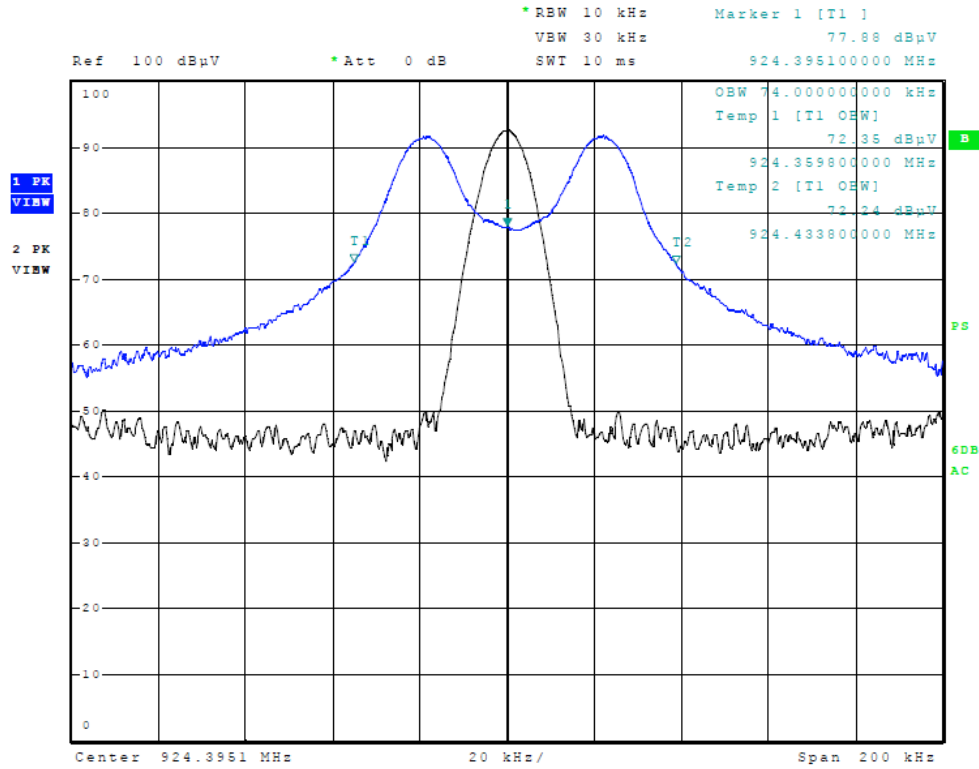
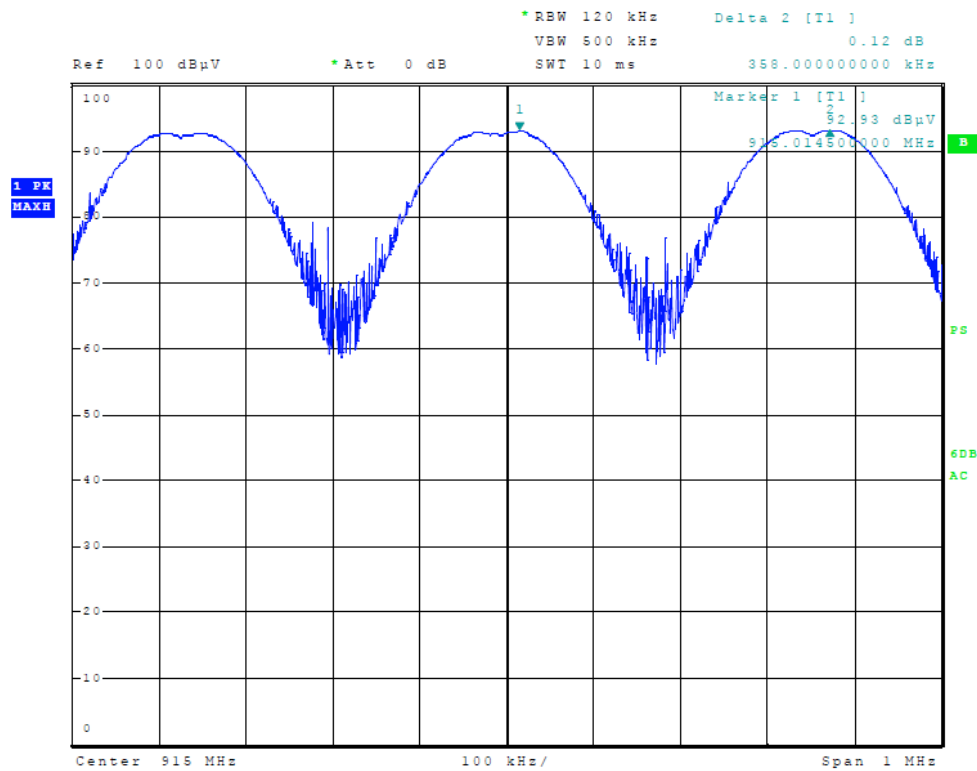


Figure Five Plot of Occupied Bandwidth (Middle Channel)



**Figure Six Plot of Occupied Bandwidth (High Channel)**



**Figure Seven Plot Channel Spacing**

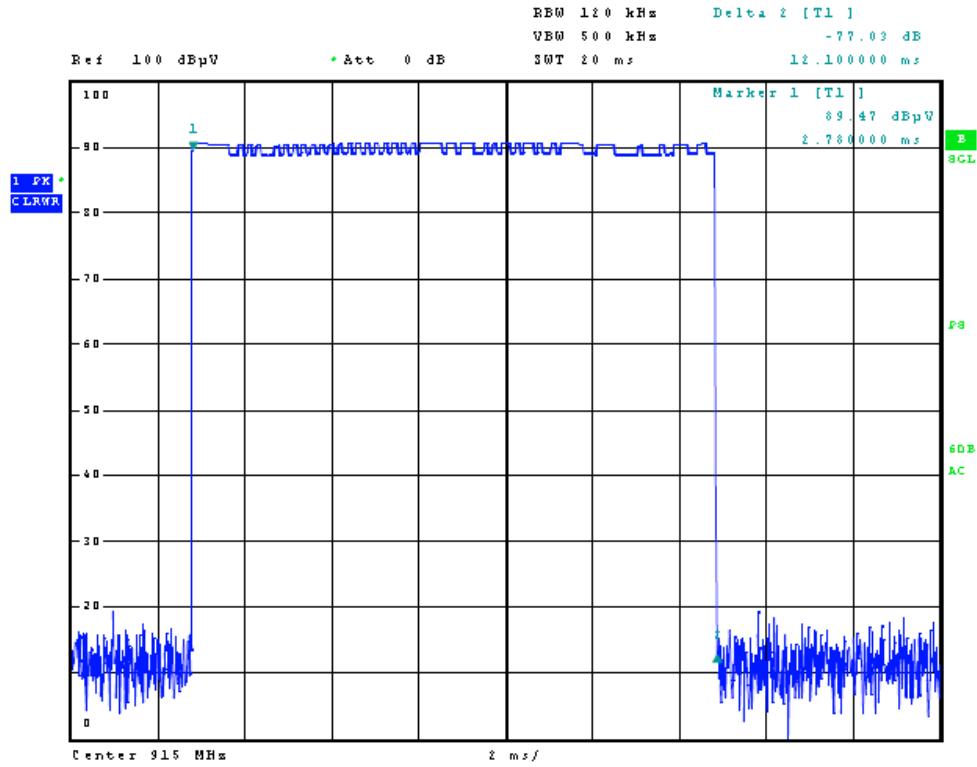


Figure Eight Plot of Dwell time on Channel

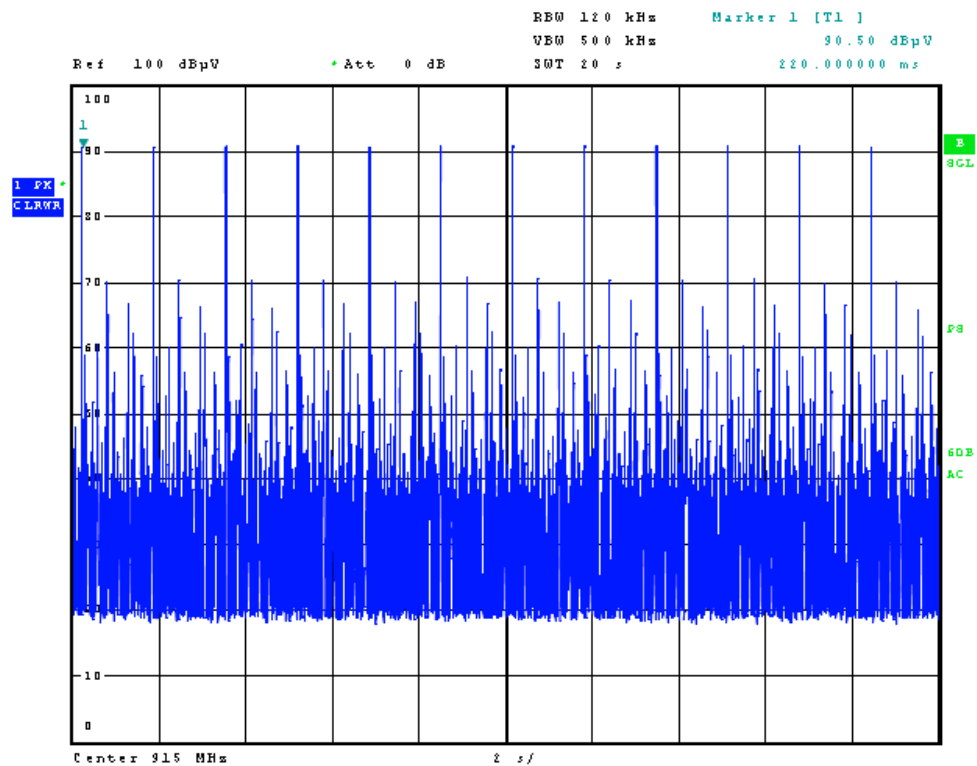


Figure Nine Plot number of times on channel in 20 second period





### **Transmitter Emissions Data**

The antenna conducted output power and 20-dB bandwidth were measured while operating in available modes for the lowest, middle and highest available channels. The data reported below represents the worst-case operational conditions.

**Table Five Transmitter Antenna Conducted Emissions Data**

Frequency MHz	Antenna Conducted Output Power dBm	Antenna Conducted Output Power mW	Occupied Bandwidth kHz
905	10.1	10.2	73.5
915	10.1	10.2	74.0
925	10.1	10.2	74.0

**Table Six Transmitter Radiated Emission Data**

Frequency in MHz	Horizontal Peak (dBµV/m)	Horizontal Quasi-Peak (dBµV/m)	Horizontal Average (dBµV/m)	Vertical Peak (dBµV/m)	Vertical Quasi-Peak (dBµV/m)	Vertical Average (dBµV/m)	Limit @ 3m (dBµV/m)
905.6	105.2	105.1	N/A	105.3	105.3	N/A	--
1811.2	71.1	N/A	51.6	69.8	N/A	50.5	54
2716.7	54.1	N/A	33.5	62.8	N/A	43.6	54
3622.3	40.2	N/A	9.3	50.5	N/A	28.8	54
4527.9	49.0	N/A	25.2	49.4	N/A	26.5	54
5433.5	50.8	N/A	27.4	50.0	N/A	26.0	54
6339.1	61.1	N/A	40.9	59.4	N/A	39.1	54
915.5	105.1	105.0	N/A	105.4	105.3	N/A	--
1830.9	69.7	N/A	51.2	69.7	N/A	51.2	54
2746.4	52.2	N/A	31.3	63.1	N/A	44.2	54
3661.8	44.0	N/A	18.4	49.8	N/A	28.3	54
4577.3	49.3	N/A	27.3	51.3	N/A	30.0	54
5492.7	57.2	N/A	36.9	55.4	N/A	34.7	54
6408.2	57.0	N/A	37.0	54.7	N/A	34.0	54
924.4	105.3	105.2	N/A	105.5	105.4	N/A	--
1848.8	68.6	N/A	50.0	68.6	N/A	50.0	54
2773.1	47.8	N/A	23.5	59.8	N/A	40.4	54
3697.5	49.3	N/A	17.5	50.5	N/A	24.5	54
4621.9	47.9	N/A	22.9	48.5	N/A	24.1	54
5546.3	49.2	N/A	25.8	49.8	N/A	26.7	54
6470.7	48.8	N/A	24.3	48.3	N/A	21.8	54

Other emissions present had amplitudes at least 20 dB below the limit.

Quasi-Peak amplitude emissions are recorded above for frequency range of 30-1000 MHz.

Average amplitude emissions are recorded above for frequency range above 1000 MHz.



### **Summary of Results for Radiated Emissions of Intentional Radiator**

The EUT produces output power of 10 Milliwatts (0.010 Watts) at the antenna port. The EUT presented compliant with the radiated emissions requirements of CFR47 Part 15.247 and RSS-210 with highest radiated emission level measured of 105.5 dB $\mu$ V/m at 3-meters. The EUT demonstrated a minimum average margin of -.2.4 dB below the harmonic emissions requirements. The EUT demonstrated a minimum margin of -9.8 dB below the emissions requirements for restricted bands (transmitter emissions). There were no other significantly measurable emissions observed in restricted bands other than those recorded in this report. Other emissions were present with amplitudes at least 20 dB below the requirements. The EUT demonstrated compliance with the specifications of CFR47 15.247 and RSS-210. There were no deviations or exceptions to the requirements.



NVLAP Lab Code 200087-0

## **Annex**

- Annex A Measurement Uncertainty Calculations
- Annex B Rogers Labs Test Equipment List
- Annex C Rogers Qualifications
- Annex D FCC Site Registration Letter
- Annex E Industry Canada Site Registration Letter



### **Annex A Measurement Uncertainty Calculations**

Measurement uncertainty calculations were made for the laboratory. Result of measurement uncertainty calculations are recorded below for AC line conducted and radiated emission measurements.

Measurement Uncertainty	$U_{(E)}$	$U_{(lab)}$
3 Meter Horizontal 30-200 MHz Measurements	2.08	4.16
3 Meter Vertical 30-200 MHz Measurements	2.16	4.33
3 Meter Vertical Measurements 200-1000 MHz	2.99	5.97
10 Meter Horizontal Measurements 30-200 MHz	2.07	4.15
10 Meter Vertical Measurements 30-200 MHz	2.06	4.13
10 Meter Horizontal Measurements 200-1000 MHz	2.32	4.64
10 Meter Vertical Measurements 200-1000 MHz	2.33	4.66
3 Meter Measurements 1-6 GHz	2.57	5.14
3 Meter Measurements 6-18 GHz	2.58	5.16
AC Line Conducted	1.72	3.43



**Annex B Rogers Labs Test Equipment List**

List of Test Equipment	Calibration Date
Spectrum Analyzer: Rohde & Schwarz ESU40	5/13
Spectrum Analyzer: HP 8562A, HP Adapters: 11518, 11519, and 11520 Mixers: 11517A, 11970A, 11970K, 11970U, 11970V, 11970W	5/13
Spectrum Analyzer: HP 8591EM	5/13
Antenna: EMCO Biconilog Model: 3143	5/13
Antenna: Sunol Biconilog Model: JB6	10/13
Antenna: EMCO Log Periodic Model: 3147	10/13
Antenna: Com Power Model: AH-118	10/13
Antenna: Com Power Model: AH-840	10/13
Antenna: Antenna Research Biconical Model: BCD 235	10/13
Antenna: EMCO 6509	10/13
LISN: Compliance Design Model: FCC-LISN-2.Mod.cd, 50 µHy/50 ohm/0.1 µf	10/13
R.F. Preamp CPPA-102	10/13
Attenuator: HP Model: HP11509A	10/13
Attenuator: Mini Circuits Model: CAT-3	10/13
Attenuator: Mini Circuits Model: CAT-3	10/13
Cable: Belden RG-58 (L1)	10/13
Cable: Belden RG-58 (L2)	10/13
Cable: Belden 8268 (L3)	10/13
Cable: Time Microwave: 4M-750HF290-750	10/13
Cable: Time Microwave: 10M-750HF290-750	10/13
Frequency Counter: Leader LDC825	2/13
Oscilloscope Scope: Tektronix 2230	2/13
Wattmeter: Bird 43 with Load Bird 8085	2/13
Power Supplies: Sorensen SRL 20-25, SRL 40-25, DCR 150, DCR 140	2/13
R.F. Generators: HP 606A, HP 8614A, HP 8640B	2/13
R.F. Power Amp 65W Model: 470-A-1010	2/13
R.F. Power Amp 50W M185- 10-501	2/13
R.F. Power Amp A.R. Model: 10W 1010M7	2/13
R.F. Power Amp EIN Model: A301	2/13
LISN: Compliance Eng. Model 240/20	2/13
LISN: Fischer Custom Communications Model: FCC-LISN-50-16-2-08	2/13
Antenna: EMCO Dipole Set 3121C	2/13
Antenna: C.D. B-101	2/13
Antenna: Solar 9229-1 & 9230-1	2/13
Audio Oscillator: H.P. 201CD	2/13
ELGAR Model: 1751	2/13
ELGAR Model: TG 704A-3D	2/13
ESD Test Set 2010i	2/13
Fast Transient Burst Generator Model: EFT/B-101	2/13
Field Intensity Meter: EFM-018	2/13
KEYTEK Ecat Surge Generator	2/13
Shielded Room 5 M x 3 M x 3.0 M	



## **Annex C Rogers Qualifications**

***Scot D. Rogers, Engineer***

### **Rogers Labs, Inc.**

Mr. Rogers has approximately 17 years' experience in the field of electronics. Engineering experience includes six years in the automated controls industry and remaining years working with the design, development and testing of radio communications and electronic equipment.

#### Positions Held

Systems Engineer: A/C Controls Mfg. Co., Inc. 6 Years

Electrical Engineer: Rogers Consulting Labs, Inc. 5 Years

Electrical Engineer: Rogers Labs, Inc. Current

#### Educational Background

- 1) Bachelor of Science Degree in Electrical Engineering from Kansas State University.
- 2) Bachelor of Science Degree in Business Administration Kansas State University.
- 3) Several Specialized Training courses and seminars pertaining to Microprocessors and Software programming.

Scot D. Rogers



NVLAP Lab Code 200087-0

**Annex D FCC Site Registration Letter**

**FEDERAL COMMUNICATIONS COMMISSION**

**Laboratory Division  
7435 Oakland Mills Road  
Columbia, MD 21046**

June 28, 2013

Registration Number: 90910

Rogers Labs, Inc.  
4405 West 259th Terrace,  
Louisburg, KS 66053

Attention: Scot Rogers,

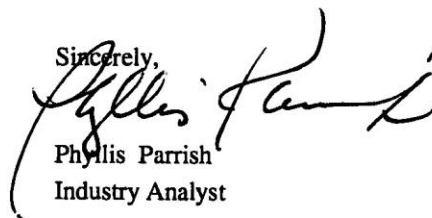
Re: Measurement facility located at Louisburg  
3 & 10 meter site  
Date of Renewal: June 28, 2013

Dear Sir or Madam:

Your request for renewal of the registration of the subject measurement facility has been received. The information submitted has been placed in your file and the registration has been renewed. The name of your organization will remain on the list of facilities whose measurement data will be accepted in conjunction with applications for Certification under Parts 15 or 18 of the Commission's Rules. Please note that the file must be updated for any changes made to the facility and the registration must be renewed at least every three years.

Measurement facilities that have indicated that they are available to the public to perform measurement services on a fee basis may be found on the FCC website [www.fcc.gov](http://www.fcc.gov) under E-Filing, OET Equipment Authorization Electronic Filing, Test Firms.

Sincerely,



Phyllis Parrish  
Industry Analyst

Rogers Labs, Inc.  
4405 W. 259th Terrace  
Louisburg, KS 66053  
Phone/Fax: (913) 837-3214  
Revision 1

Digital Monitoring Products, Inc.  
Model: XT50-1  
Test #: 131230  
Test to: FCC (15.247), RSS-210  
File: DMP XT50 1 PC0128 TstRpt 131230

FCC ID: CCKPC0128  
IC: 5251A-PC0128  
SN: ENGI  
Date: January 17, 2014  
Page 32 of 33





NVLAP Lab Code 200087-0

## Annex E Industry Canada Site Registration Letter



June 19, 2013

OUR FILE: 46405-3041

Submission No: 168037

Rogers Labs Inc.  
4405 West 259th Terrace  
Louisburg  
KS, USA  
66053

**Attention:** Mr. Scot D. Rogers

Dear Sir:

The Bureau has received your application for the renewal of 3/10m OATS. Be advised that the information received was satisfactory to Industry Canada. The following number(s) is now associated to the site(s) for which registration / renewal was sought (**Site# 3041A-1**). Please reference the appropriate site number in the body of test reports containing measurements performed on the site. In addition, please keep for your records the following information;

- The company address code associated to the site(s) located at the above address is: **3041A**

Furthermore, to obtain or renew a unique site number, the applicant shall demonstrate that the site has been accredited to ANSI C63.4-2003 or later. A scope of accreditation indicating the accreditation by a recognized accreditation body to ANSI C63.4-2003 or later shall be accepted. Please indicate in a letter the previous assigned site number if applicable and the type of site (example: 3 metre OATS or 3 metre chamber). If the test facility is not accredited to ANSI C63.4-2003 or later, the test facility shall submit test data demonstrating full compliance with the ANSI standard. The Bureau will evaluate the filing to determine if recognition shall be granted.

The frequency for re-validation of the test site and the information that is required to be filed or retained by the testing party shall comply with the requirements established by the accrediting organization. However, in all cases, test site re-validation shall occur on an interval not to **exceed three years**. There is no fee or form associated with an OATS filing. OATS submissions are encouraged to be submitted electronically to the Bureau using the following URL;

[http://strategis.ic.gc.ca/epic/internet/inceb-bhst.nsf/en/h\\_tt00052e.html](http://strategis.ic.gc.ca/epic/internet/inceb-bhst.nsf/en/h_tt00052e.html).

If you have any questions, you may contact the Bureau by e-mail at [certification.bureau@ic.gc.ca](mailto:certification.bureau@ic.gc.ca) Please reference our file and submission number above for all correspondence.

Yours sincerely,

Bill Payn  
For: Wireless Laboratory Manager  
**Certification and Engineering Bureau**  
3701 Carling Ave., Building 94  
P.O. Box 11490, Station "H"  
Ottawa, Ontario K2H 8S2  
Email: [Bill.Payn@ic.gc.ca](mailto:Bill.Payn@ic.gc.ca)  
Tel. No. (613) 990-3639  
Fax. No. (613) 990-4752

Rogers Labs, Inc.  
4405 W. 259th Terrace  
Louisburg, KS 66053  
Phone/Fax: (913) 837-3214  
Revision 1

Digital Monitoring Products, Inc.  
Model: XT50-1  
Test #: 131230  
Test to: FCC (15.247), RSS-210  
File: DMP XT50 1 PC0128 TstRpt 131230

FCC ID: CCKPC0128  
IC: 5251A-PC0128  
SN: ENGI  
Date: January 17, 2014  
Page 33 of 33