

Declaration of Conformity Certificate

*With The 47 CFR, Part2 and Part15
Of FCC Requirement*

Hereby certifies that

Type of device: All other receivers subject to part 15.

Category: Lobby Phone

Model No.: DRC-703S

Additional Model name: -

Manufactures and address

COMMAX Co.,Ltd

**513-11, sangdaewon-dong, Jungwon-gu, Seongnam-si, Gyeonggi-do,
South Korea**

This document is the proof that above product, system, and also relates OEM models are complying with FCC requirement. We, LTA Co., Ltd is the accredited EMC laboratory for NVLAP(US), RRA(KOREA).

We certify that the above products had performed test on our laboratory and it was confirmed to comply with FCC requirement. These products might be marketed at the US accordance to DoC of FCC Rule based on the standard 47CFR Part 2 and 15. The test was performed accordance to the procedures from ANSI C63.4-2009. Test data and results are issue on the EMC test report No. as follows.

Reference Endorsed Test Report No. is LR500111701B

Date: January 18, 2017



**Won Wook kim, Technical Manager
LTA Co., Ltd.**



NVLAP LAB CODE 200723-0

TEST REPORT

This laboratory is accredited by Radio Research Laboratory and National Voluntary Laboratory Accreditation Program. The tests reported herein have been performed in accordance with its terms of accreditation.

Test Report No. : LR50011701B
Issue Date : January 18, 2017
Applied Standard : FCC Part 15, Subpart B
Trade Name : COMMAX Co.,Ltd
Category : Lobby Phone
Brand : -
Model Name : DRC-703S
Additional Model name : -
Serial Number : Identification

This test result only responds to the tested sample. It is not allowed to copy this report even partly without the allowance of the test laboratory. The report must not be used by the client to claim product certification, approval, or endorsement by NVLAP, NIST, or any agency of the Federal Government.



NVLAP LAB CODE 200723-0

TABLE OF CONTENTS

<u>Text</u>	<u>Page</u>
Contents -----	2
LTA Certification -----	3
General Information -----	5
Brief Information -----	6
Test site description -----	9
Test Procedure -----	11
List of test equipment used for the test -----	14
Radiated disturbance measurement (Result & Graph) -----	15
Conducted disturbance measurement (Result & Graph) -----	17
Conclusions -----	19

★ ★ ★ ★ ★ ★ ★ ★ ★ ★ ★ ★ ★ ★ ★ ★

LTA Certification

Applicant / Manufacture

Company name : COMMAX Co.,Ltd
Address : 513-11, sangdaewon-dong, Jungwon-gu, Seongnam-si, Gyeonggi-do, South Korea
Telephone /Facsimile : +82-31-739-3682 / +82-31-739-3649

Factory 1

Company name : COMMAX Co.,Ltd
Address : 513-11, sangdaewon-dong, Jungwon-gu, Seongnam-si, Gyeonggi-do, South Korea

Equipment Under Test (EUT)

Category : Lobby Phone
Brand : -
Model name : DRC-703S
Additional Model name : -
Serial number : Identification
Intended environment : Residential area
Date of receipt : October 19, 2016
EUT condition : Pre-production, not damaged
Operating Mode : Operating Mode
Interface ports : DC IN, LAN
Power Source : DC 14 V, 1.0 A
Test memory size : -
Crystal/Oscillator(s) : -
Firmware version : XXXX

Model Description

- NONE

Model Specification

- NONE

Test Performed

Test started & completed : January 11-13, 2017
Location : LTA Co., Ltd.

*** To be continued next page ***

LTA Certification –cont.-

Test Specification

Purpose of the test : Compliance test to the following standard
Applied standard : FCC Part 15, Subpart B
Classification : Class A
Deviations from Standard : N/A
Test Method

Test Results

Measurement	Results*	Test method
Radiated disturbance	Complies	ANSI C 63.4:2014
Conducted disturbance	Complies	ANSI C 63.4:2014

* : The compliance statement is based on nominal value only.

Modification performed by the lab.:

- N.A

-We were performed the test according to LTA procedure LTA-QI-04.

Laboratory's Certificate

Report number : LR50011701B
Issue date : January 18, 2017

This test report is issued under the authority of:

The test was supervised by:



Won Wook Kim, Technical Manager



Soo Ho Lee, Test Engineer

The results in this report apply only to the sample(s) tested.

It is not allowed to copy this report even partly without the allowance of the test laboratory.

General information's

Purpose

This document is based on the Electromagnetic Interference (EMI) tests performed on the “DRC-703S”. The measurements were performed according to the measurement procedure described in ANSI C 63.4:2014. The tests were carried out in order to confirm whether the electromagnetic emissions from the EUT(Equipment Under Test), are within the class B limits defined in FCC Part 15, Subpart B- “Section 15.107- Conducted limits” and “Section 15.109-Radiated emission limits”.

Test Performed

Company name : LTA Co., Ltd.
 Address : 243, Jubug-ri, Yangji-Myeon, Youngin-Si, Kyunggi-Do, Korea. 449-822
 Telephone : +82-31-323-6008
 Facsimile : +82-31-323-6010

Measurement uncertainty

Radiated disturbance (30 to 1000MHz) : +3.94 [dB] , -3.94 [dB] (k=2)
 (1GHz to 18GHz) +3.46 [dB] , -3.46 [dB] (k=2)
 Conducted disturbance (0.15 to 30MHz) : +1.46[dB] , -1.46 [dB] (k=2)

The coverage factor k=2 yields approx. a 95% level of confidence for near-normal distribution typical of most measurement results.

Accredited agencies

LTA Co., Ltd. Is approved to perform EMC testing by the following agencies:

Agency	Country	Accreditation No.	Validity	Reference
NVLAP	U.S.A	200723-0	2017-09-30	ECT accredited Lab.
RRA	KOREA	KR0049	-	EMC accredited Lab.
FCC	U.S.A	610755	2017-04-21	FCC filing
FCC	U.S.A	649054	2017-04-13	FCC CAB
VCCI	JAPAN	R-2133(10 m), C-2307	2017-06-21	VCCI registration
VCCI	JAPAN	T-2009	2017-12-23	VCCI registration
VCCI	JAPAN	G-847	2018-12-13	VCCI registration
IC	CANADA	5799A-1	2019-11-07	IC filing
KOLAS	KOREA	NO.551	2017-01-08	KOLAS accredited Lab.

Brief Information

1-1 Test Summary

Parameter	Applied Standard	Status (note 1)
I. Emission		
Radiated disturbance	FCC Part 15.109	C
Conducted disturbance	FCC Part 15.107	C
Note 1: C=Complies NC=Not Complies NT=Not Tested NA=Not Applicable * The data in this test report are traceable to the national or international standards.		

Frequency range to be scanned:

0.15 MHz - 30 MHz as conducted measurement

5th harmonic of the highest frequency or 40 GHz, whichever is lower

Bandwidth:

Measured by the CISPR quasi-peak function Bandwidth is 10 kHz in the frequency 0.15 MHz to 30 MHz and 120 kHz in the frequency 30 MHz to 1,000 MHz.

Measured by the CISPR Peak function Bandwidth is 1MHz in the frequency 1 GHz to 40 GHz.

A sample calculation:

COR. F (correction factor)= Antenna factor + Cable loss- Amp.gain- Distance correction

Emission Level= meter reading + COR.F

1-2 Variant Model

- NONE

1-3 Operating Mode of the EUT

The tests have been conducted with the following operational mode(s) of the EUT.

Name of mode in the report	Description
Operating Mode	: Operating Mode

1-4 Modification

None

1-5 List of EUT and accessory

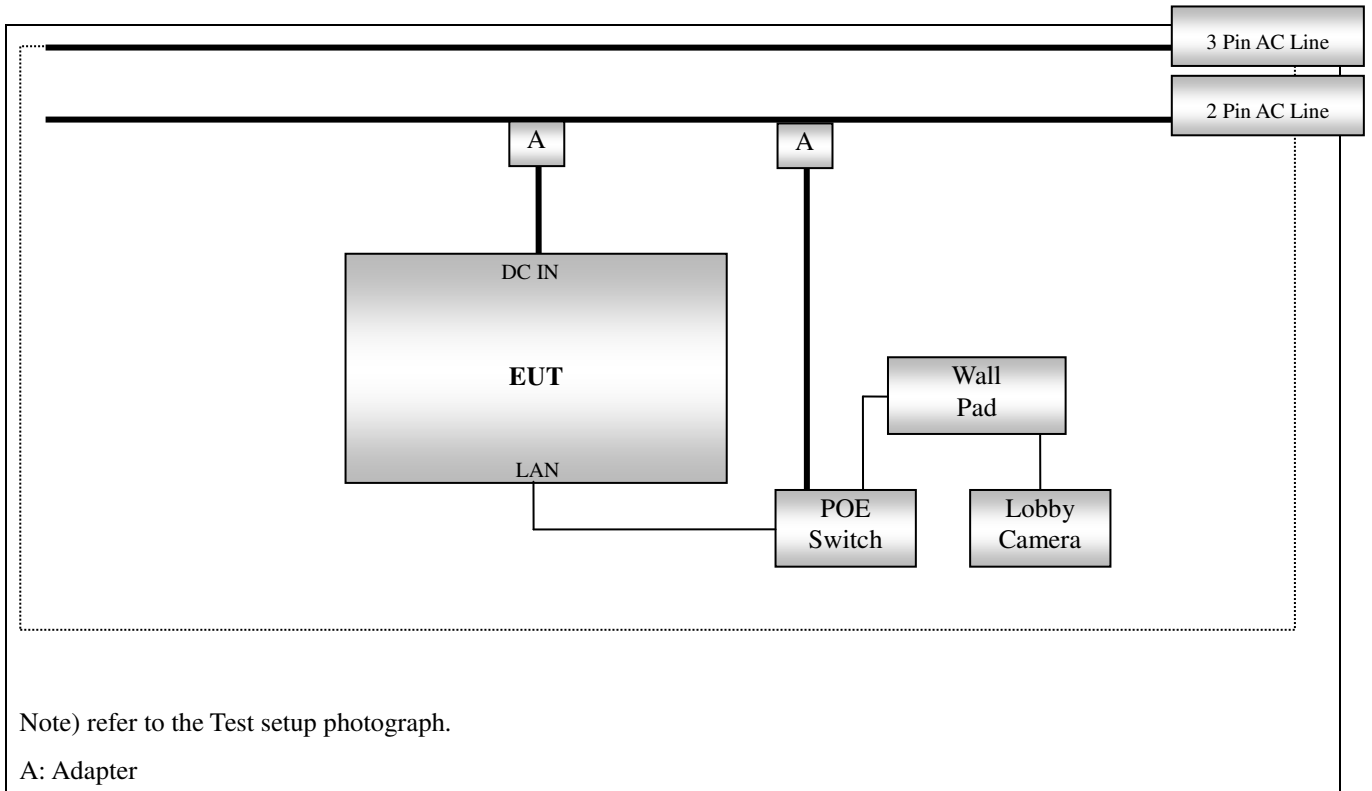
EUT				
Category	Model Name	Serial No.	Manufacturer	Remarks
Lobby Phone	DRC-703S	N/A	COMMAX Co.,Ltd	-

ACCESSORY				
Category	Model Name	Serial No.	Manufacturer	Remarks
Wall Pad	CIP-700SW	N/A	COMMAX Co.,Ltd	-
POE Switch	N/A	N/A	RoHS	-
Lobby Camera	N/A	N/A	COMMAX Co.,Ltd	-
Adapter #1	UT60_140180-02	N/A	N/A	-
Adapter #2	GS60A48	N/A	MW	-

1-6 Cable List

Cable List				
Type	Length (m)	Shielding (Cable/backshell)	Remarks	
			From	to
Adapter	1.5	NO / NO	DC IN	DC OUT
POE Switch	1.5	NO / NO	LAN	LAN

1-7 Block diagram of the EUT test (AC)

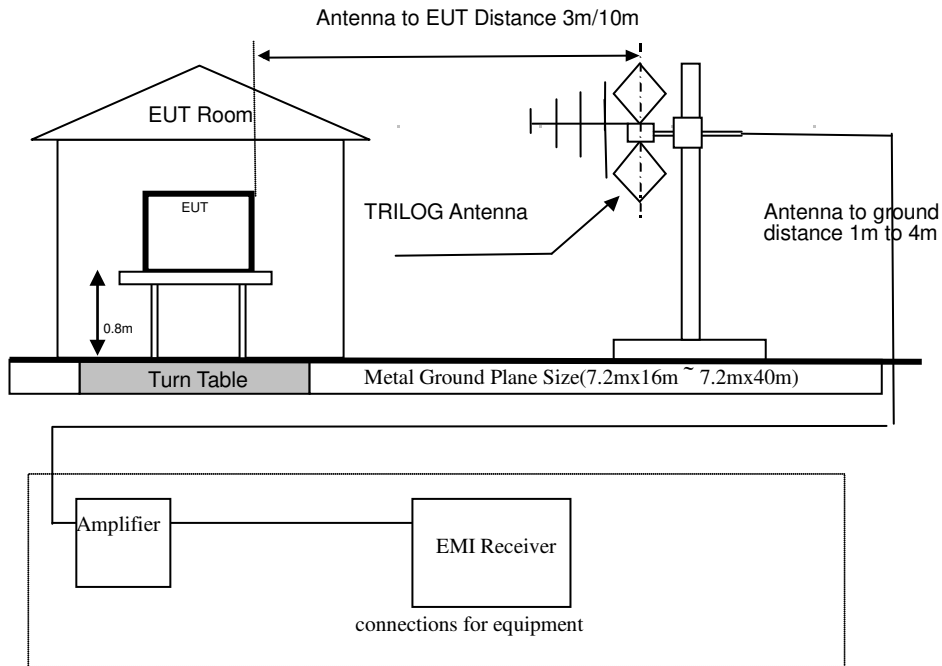


2- Test Site Description

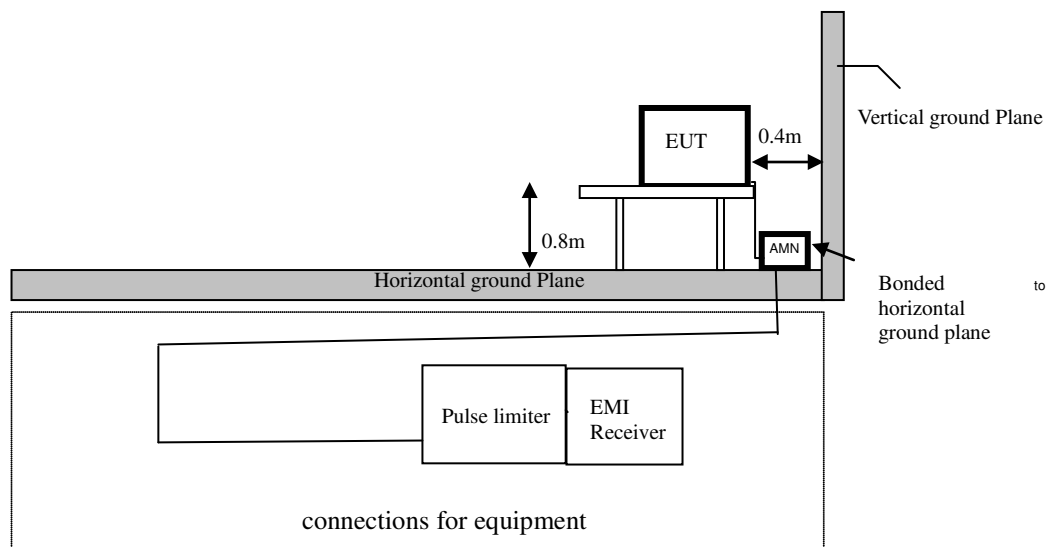
1-Facility

All the testing facilities are periodically serviced as a daily check for equipment and cables systems, an every 6 months facility check for the facilities and a monthly check and annual calibration for testing equipment according to ISO/IEC 17025. All the testing facilities are used as the same specifications shown below. There are descriptions both for radiated disturbance measurement and conducted disturbance measurement conformed by ANSI C 63.4:2014 . The NSA measurement of the OATS was performed on June 01, 2015 according to ANSI C 63.4:2014

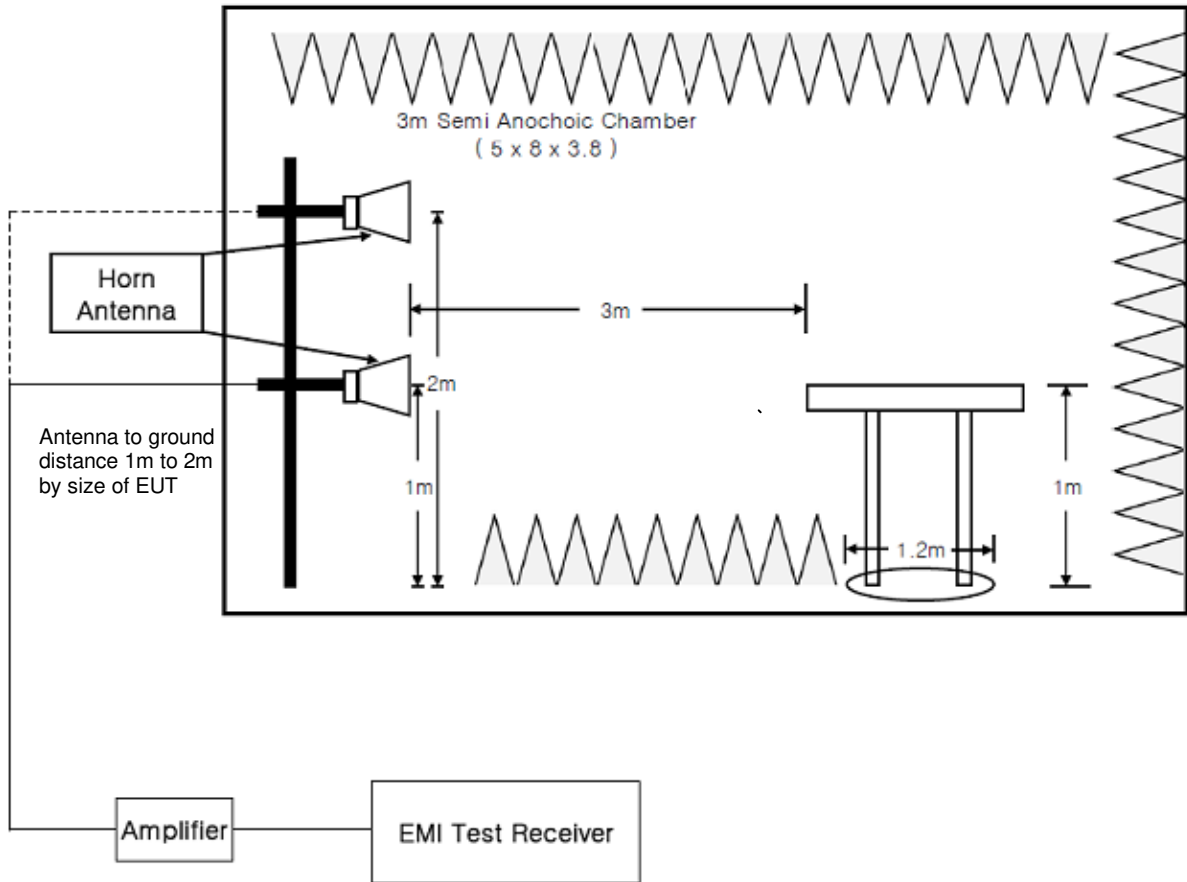
2-1 Radiated Disturbance Measurement – Below 1GHz



2-2 Conducted Disturbance Measurement



2-3 Radiated Disturbance Measurement – Above 1GHz



3- Test Procedure

3-1 Radiated Disturbance Measurements – Below 1GHz

- Test site is met the requirements of ANSI C 63.4:2014 and the distance between the EUT and the antenna is adjusted 3 m/10 m.
- The turntable can be rotated 360 degrees.
- The antenna can be adjusted between 1m and 4m in height above the ground.
- The EUT is placed on the non-conducting table with 0.8m height on the turntable.
- Measurements are carried out using a EMI test receiver with peak detectors (100 kHz bandwidth) and an EMI receiver with quasi-peak detectors(120 kHz bandwidth).
- Refer to the list of test equipment used for the test.
- TRILOG antenna are used as wideband antenna.
- The TRILOG antenna is used in the frequency range of 30 MHz to 1 000 MHz, the Horn antenna is used in the frequency range of 1GHz to 18 GHz.
- A variable attenuator is used for verifying amplifier's linearity.
- Rotating the turntable and adjusting the height of the antenna are carried out by control buttons on the console.
- Refer to "Brief Information"(page 7-8) about details of the EUT and configuration of the cables.

- Measurement is carried out by a LTA operator as manual operation.
 - searching for some of High disturbance frequency points than the other points with the following settings; bandwidth 100 kHz, frequency range 10 MHz between 30MHz and 300 MHz and frequency range 50 MHz between 300 MHz and 1 GHz.
 - searching the worst direction with the maximum level of the disturbance wave in rotating the turntable 360 degrees at each searched frequency point.
 - setting the height of the antenna with the maximum level of the disturbance wave from 1m to 4m.
 - reading the disturbance level by the EMI receiver with quasi-peak detectors (120 kHz bandwidth) according to ANSI C 63.4:2014.
 - measuring to vertical and horizontal polarization.
 - calculating the measurement result with the following formula or equation:
(Measurement result= measured value + antenna factor + antenna cable loss)

3-2 Conducted Disturbance Measurements

- The measurement is carried out on an open site with horizontal and metallic ground plane.
 - An AMN(Artificial Mains Network) with a nominal impedance ($50 \Omega/50 \mu\text{H}$) as defined in ANSI C 63.4:2014, shall be utilized.
 - The AMN is grounded on a horizontal metal ground plane.
 - Measurement is carried out using an EMI receiver with quasi-peak detectors and average detector.
(Refer to the List of test equipment used for the test.)
 - The shortest distance between the EUT and the AMN is 0.8m.
 - The EUT is placed on the non-conducting table with 0.8m height.
 - A remote switch is used for changing phases between Line (L) and Neutral (N).
 - Refer to "Brief Information"(page 5-8) about details of the EUT and configuration of the cables.
-
- Measurement is carried out as manual operation.
 - detecting the maximized emission level using the maxhold function after setting the spectrum analyzer bandwidth 1MHz and the frequency range from 150 kHz to 1 MHz , 1 MHz to 5 MHz and 5 MHz to 30 MHz.
 - searching the maximum frequency point of the disturbance wave in each frequency range.
 - reading the disturbance level of quasi-peak, average and Line (L) and Neutral (N) in 9 kHz bandwidth by the EMI receiver.
 - calculating the measurement result with the following formula or equation.
(Result = Reading + Cor.F.)
(Margin = Limit- Result)

3-3 Radiated Disturbance Measurements – Above 1GHz

- Test site is met the requirements of ANSI C 63.4:2014 and the distance between the EUT and the antenna is adjusted 3m.
- The turntable can be rotated 360 degrees.
- The antenna can be adjusted between 1m in height above the ground.
- The EUT is placed on the non-conducting table with 1m height on the turntable.
- Measurements are carried out using a EMI test receiver with peak detectors (1 MHz bandwidth) and an EMI receiver with peak and average detectors(1 MHz bandwidth).
- Refer to the list of test equipment used for the test.
- HORN antenna are used as wideband antenna.
- The HORN antenna is used in the frequency range of 1 GHz to 18 GHz.
- A variable attenuator is used for verifying amplifier's linearity.
- Rotating the turntable and adjusting the height of the antenna are carried out by control buttons on the console.
- Refer to "Brief Information"(page 7-8) about details of the EUT and configuration of the cables.
- Measurement is carried out by a LTA operator as manual operation.
 - searching the worst direction with the maximum level of the disturbance wave in rotating the turntable 360 degrees at each searched frequency point.
 - setting the height of the antenna with the maximum level of the disturbance wave from 1 m
 - reading the disturbance level by the EMI receiver with peak and average detectors (1MHz bandwidth) according to ANSI C 63.4:2014.
 - measuring to vertical and horizontal polarization.
 - calculating the measurement result with the following formula or equation:
(Measurement result= measured value + antenna factor + antenna cable loss)

4- List of Equipment Used For the Tests

	Item	Model Name	Serial No.	Manufacturer	Inter val	Last Cal.
1	EMI TEST Receiver	ESR	101499	R&S	1 year	Jul-16
2	Two-Line V-Network <MAIN>	ENV216	32031518210	AFJ	1 year	Oct-16
3	LINE <SUB>	ESH3-Z5	893045/017	R&S	1 year	Mar-16
4	TRILOG Antenna	VULB 9160	9160-3237	SCHWARZBECK	2 year	May-16
5	HORN ANTENNA	3115	00114105	ETS	2 year	Aug-16
6	Amplifier (1 - 18GHz)	8449B	3008A02126	Agilent	1 year	Mar-16
7	ABSORBING CLAMP	MDS21	3665	SCHWARZBECK	1 year	Sep-16
8	One-Line V-NETWORK	ESH3-Z6	100378	R&S	1 year	Sep-16
9	Pulse Limiter	ESH3-Z2	100710	R&S	1 year	Mar-16
10	RF Amplifier(-1GHz)	8447D	2439A09058	HP	1 year	Sep-16
11	e3 software	e3	5.5.201a	AUDIX	-	-
12	Impedance Stabilization Network	ISN T800	27109	TESEQ	1 year	Jan-17
13	Impedance Stabilization Network	ENY81-CA6	101565	R&S	1 year	Feb-17
14	EZ-17 RF-CURRENT PROBE	EZ-17	100508	ROHDE&SCHWARZ	1 year	Jan-17
15	Attenuator (3dB)	8491A	37822	HP	1 year	Sep-16
16	Attenuator (10dB)	8491A	63196	HP	1 year	Sep-16
17	Hygro-Thermograph	THB-36	0041557-01	ISUZU	1 year	Sep-16
18	Mini-Circuits Splitter	ZFSC-2-2500	SF617800326	Mini-Circuits	N/A	N/A
19	Mini-Circuits Splitter	ZFM-150	15542	Mini-Circuits	N/A	N/A
20	Spectrum Analyzer (-2.9GHz)	8594E	3710A04074	HP	1 year	Mar-16
21	Test Receiver(~30MHz)	ESHS10	828404/009	R&S	1 year	Mar-16
22	DIGITAL THERMO HYGROMETER	TH-611	NONE	BODYCOM	1 year	Sep-16
23	EMI TEST Receiver	ESR	101499	R&S	1 year	Jul-16
24	Two-Line V-Network <MAIN>	ENV216	32031518210	AFJ	1 year	Oct-16
25	LINE <SUB>	ESH3-Z5	893045/017	R&S	1 year	Mar-16

5-1 Radiated Disturbance Measurements (Below 1GHz)_Video 1 mode



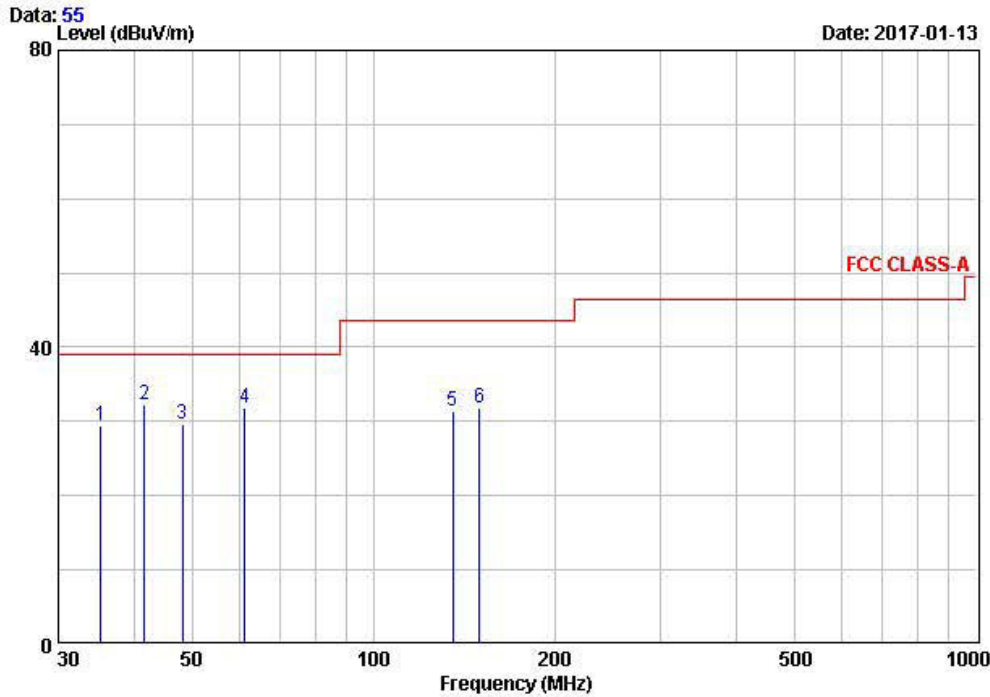
4, Songjuro236Beon-gil, Yangji-myeon,
Cheoin-gu, Youngin-si, Gyeonggi-do,
449-822 Korea
Tel :+82-31-3236008,9
Fax:+82-31-3236010

EUT/Model No.: DRC-703C

TEST MODE: Operating mode

Temp Humi : 14 / 30

Tested by: LEE S H



Freq	Reading	C.F	Result	Limit	Margin	Height	Angle	Polarity
MHz	dBuV	dB	dBuV/m	dBuV/m	dB	cm	deg	
1	35.24	48.00	-18.66	29.34	39.00	9.66	100	120 VERTICAL
2	41.66	50.20	-17.94	32.26	39.00	6.74	100	313 VERTICAL
3	48.24	47.10	-17.43	29.67	39.00	9.33	100	221 VERTICAL
4	61.24	48.80	-17.04	31.76	39.00	7.24	100	312 VERTICAL
5	135.53	47.30	-16.00	31.30	43.50	12.20	100	300 VERTICAL
6	150.12	47.10	-15.31	31.79	43.50	11.71	100	112 VERTICAL

Remarks: C.F (Correction Factor) = Antenna factor + Cable loss - Preamp gain

TEST EQUIPMENT USED: 01, 04, 05, 06, 07, 10, 11, 25

(Ablow 1GHz)_ Operating Mode

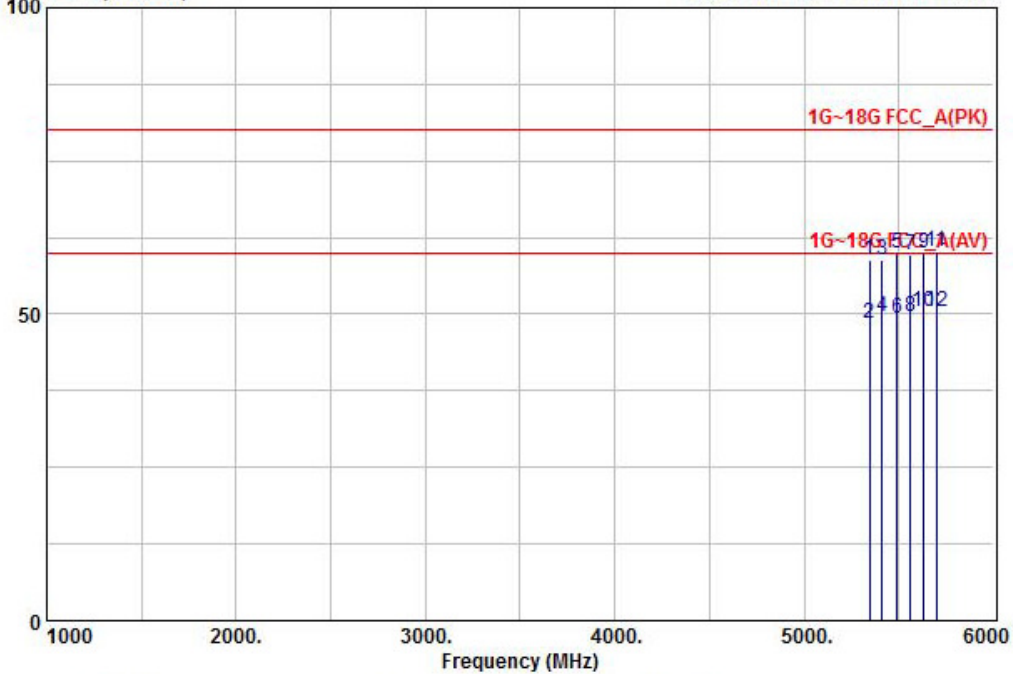
EUT/Model No.: DRC-703C

 Tested by : LEE S H

 Test Mode: Operating mode

 Temp/Humi: 19 / 42

Data: 45 File: D:\LTA_e3\3_backup\1GHz 미상\2017\CH1_ABOVE 1GHz_1701-1.EMI (45)
 Level (dBuV/m) Date: 2017-01-13 Time: 11:04:13



Manufacture : COMMAX Co.,Ltd
 Model : DRC-703C
 TEST mode : Operating mode

Test Date : 2017/1/13
 Temp.: 19 [°C]
 Humidity: 42 [%]
 Barometric : [mbar]

Freq.(MHz)	Reading(PK)	Reading(AV)	C.F	Result(PK)	Result(AV)	Limit(PK)	Limit(AV)	Margin(PK)	Margin(AV)	Height	Angle	Polarity
MHz	dBuV	dBuV	dB	dBuV/m	dBuV/m	dBuV/m	dBuV/m	dB	dB	cm	deg	Hor/Ver
5347.1	40.8	30.5	18.08	58.88	48.58	80.0	60.0	21.12	11.42	100.00	205	Hor
5411.3	40.4	31.2	18.35	58.75	49.55			21.25	10.45	100.00	112	Hor
5492.8	41.2	30.7	18.69	59.89	49.39			20.11	10.61	100.00	23	Hor
5561.4	40.5	30.5	19.04	59.54	49.54			20.46	10.46	100.00	151	Hor
5631.1	40.6	31.1	19.39	59.99	50.49			20.01	9.51	100.00	45	Hor
5700.1	40.4	30.6	19.75	60.15	50.35			19.85	9.65	100.00	313	Hor

TEST EQUIPMENT USED: 01, 04, 05, 06, 07, 10, 11, 25

5-2 Conducted disturbance Measurements

(LINE)



4, Songjuro 236 Beon-gil, Yangji-myeon
Cheoin-gu, Youngin-si, Gyeonggi-do
449-822 Korea
Tel:+82-31-3236008,9
Fax:+82-31-3236010

EUT / Model No. : DRC-703C Phase : LINE

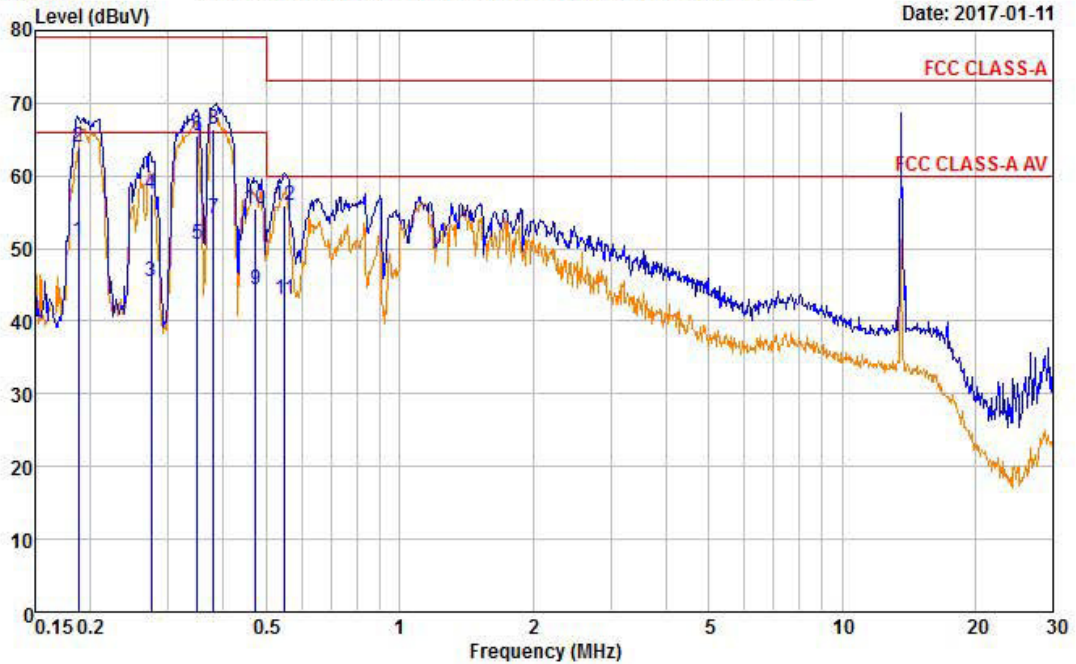
Test Mode : Operating mode Test Power : 120 / 60

Temp. / Humi. : 19 / 37 Test Engineer : LEE S H

Data: 985

File: D:\Conducted Data\2017\LTA_Conduction_2017_01.EM6 (985)

Date: 2017-01-11



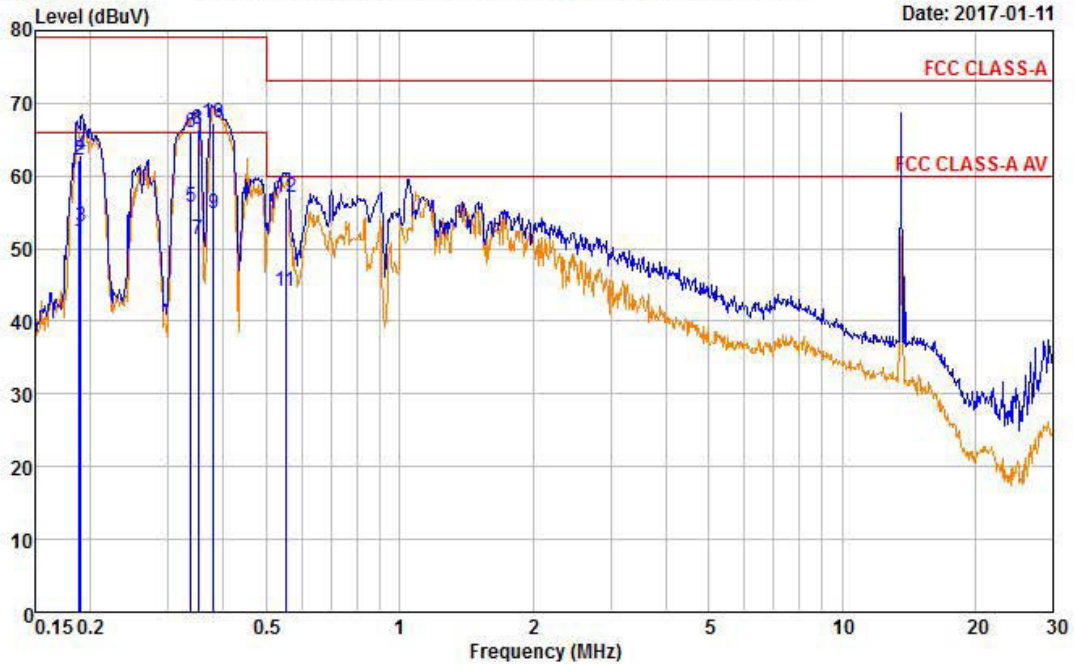
Freq MHz	RD QP dBuV	RD AV dBuV	C.F dB	Result QP dBuV	Result AV dBuV	Limit QP dBuV	Limit AV dBuV	Margin QP dB	Margin AV dB
0.188	44.57	31.47	19.49	64.06	50.96	79.00	66.00	14.94	15.04
0.275	37.90	26.00	19.53	57.43	45.53	79.00	66.00	21.57	20.47
0.350	45.91	30.98	19.55	65.46	50.53	79.00	66.00	13.54	15.47
0.380	46.76	34.64	19.55	66.31	54.19	79.00	66.00	12.69	11.81
0.472	36.01	24.77	19.58	55.59	44.35	79.00	66.00	23.41	21.65
0.550	36.38	23.51	19.58	55.96	43.09	73.00	60.00	17.04	16.91

Remarks: C.F (Correction Factor) = Insertion loss + Cable loss + Pulse Limiter

**-Continue
(NEUTRAL)**

EUT / Model No. : DRC-703C	Phase : NEUTRAL
Test Mode : Operating mode	Test Power : 120 / 60
Temp. / Humi. : 19 / 37	Test Engineer : LEE S H

Data: 991 File: D:\Conducted Data\2017\LTA_Conduction_2017_01.EM6 (991) Date: 2017-01-11



Freq	RD	RD	C.F	Result	Result	Limit	Limit	Margin	Margin
MHz	QP	AV	dB	QP	AV	QP	AV	QP	AV
	dBuV	dBuV		dBuV	dBuV	dBuV	dBuV	dB	dB
0.189	42.76	31.55	19.49	62.25	51.04	79.00	66.00	16.75	14.96
0.190	43.38	33.62	19.49	62.87	53.11	79.00	66.00	16.13	12.89
0.337	46.34	36.23	19.53	65.87	55.76	79.00	66.00	13.13	10.24
0.351	46.92	31.78	19.54	66.46	51.32	79.00	66.00	12.54	14.68
0.380	47.67	35.30	19.55	67.22	54.85	79.00	66.00	11.78	11.15
0.552	37.55	24.59	19.57	57.12	44.16	73.00	60.00	15.88	15.84

Remarks: C.F (Correction Factor) = Insertion loss + Cable loss + Pulse Limiter

TEST EQUIPMENT USED: 02, 03, 08, 09, 11, 12, 13, 14, 21, 22

Conclusions

Product models "**DRC-703S**" meets all of the Class B requirements of the FCC Part 15, Subpart B. Limits of radio disturbance characteristics of ITE).

(Refer to Test Specification and Test Results in the "LTA certification", page3 and 4.)

-The highest internal source of an EUT is 108 MHz, the measurement shall only be made up to 1 GHz.(The highest internal source of an EUT : 108 MHz)