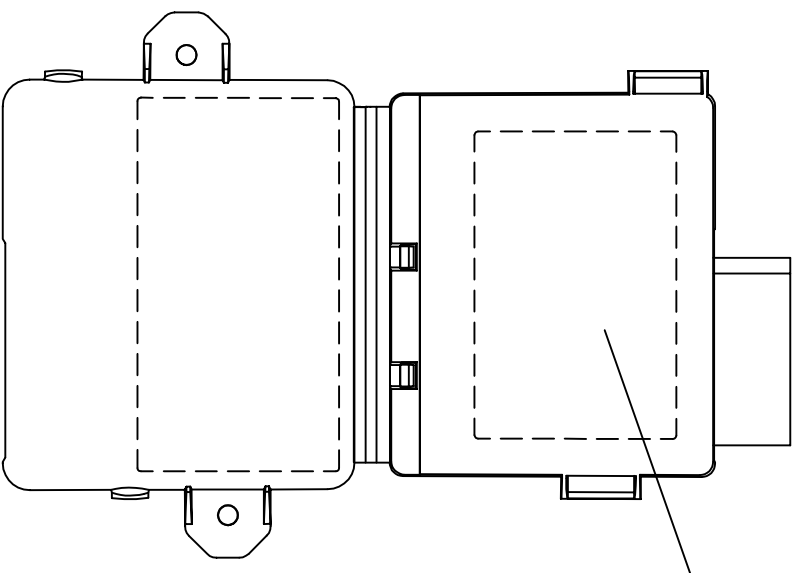


(VIEW FOR REFERENCE ONLY)



8 7 6 5 4 3 2 1

ELECTRONICS STD. UNLESS OTHERWISE SPECIFIED
 ▢ THIRD ANGLE PROJECTION
 DDD NDT SCALE

XX DECIMAL ± 0.040 [± 1.0]
 XXX DECIMAL ± 0.020 [± .50]
 XXXX DECIMAL ± 0.008 [± .15]
 SPECIFICS FEATURES REQUIRING SPECIAL CONSIDERATIONS.
 SEE PRODUCT CONTROL PLAN.
 DIMENSIONS ARE INCHES WITH EQUIVALENT MILLIMETERS SHOWN IN BRACKETS.

JOHNSON
 CONTROLS
 AUTOMOTIVE SYSTEMS GROUP INTERIORS

PCB ASSEMBLY

PRODUCT	02 D1 HOMELINK III	DATE	
CUSTOMER	VOLKSWAGEN	DATE	
SCALE	NONE	SHEET 3 OF 3	
DRG. NO.	VJ2429	REV.	A

REV	DATE	DESCRIPTION	PLAN	BY	DATE	BY

A B C D E F