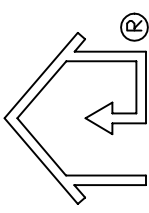


DWG. NO. VG5421

4 X R.025[.64]
APPROX.

1.250 [31.57]


HomeLink®

U.S. PATENTS:
 4425717 4505054 4546551 4851775 4953305
 5442340 5479155 5583485 5661903 5614891
 5661804 5699054 5708415 5854593 5903226
 5239264 5664335 5878370

GB PATENTS:
 2277620 2305281 2305282 2315893 2322215

JAPAN PATENTS: 2689078 **CHRYSLER PART #**
 XXXXXXXXXXXXX

FCC ID: CB2RSEVICHL3 **JCI MODEL:** XXXXXX

CANADA: XXXX XXX XXXX

2.000 [50.80]


NOTES:

1. REFER TO DOCUMENT V30745 FOR MANUFACTURER OF THE PART.
2. MATERIAL - HIGH TEMPERATURE POLYESTER (WHITE, MATTE)
3. TEMPERATURE RANGE:
 MINIMUM TEMP -40°C -40°F
 MAXIMUM TEMP 204°C 400°F
4. ADHESIVE TYPE: ACRYLIC
 TEMPERATURE RANGE:
 MINIMUM APPLY 10°C 50°F
 MAXIMUM APPLY 60°C 140°F
5. TOTAL LABEL THICKNESS = .0072[.18]
6. SHELF LIFE: SIX (6) MONTHS AT 70°F (21°C) AND 50% R.H.

REVISION BLOCK

REV	SH/ ZONE	DESCRIPTION	P.C.N.	BY	DATE	BY
A		RELEASE FOR PRODUCTION	52018	SRG	10SEP99	EDICT
B		ADD FCC AND CANADIAN ID	53233	SRG	12DEC99	EDICT
C		ADD JCI MODEL: TO LABEL	53355	SRG	04JAN00	EDICT
D		UPDATE LABEL DIMENSIONS	54252	At	02MAR00	EDICT

ELECTRONICS STD. UNLESS OTHERWISE SPECIFIED

 THIRD ANGLE PROJECTION

DO NOT SCALE

X.X DECIMAL ± 0.040 [± 1.0]
 X.XX DECIMAL ± 0.020 [± .50]
 X.XXX DECIMAL ± 0.006 [± .15]

ANGULAR ± 2° 0'
 DRAFT ANGLES NOTED

 SPECIFIES FEATURES REQUIRING SPECIAL CONSIDERATIONS.
 SEE PRODUCT CONTROL PLAN.

DIMENSIONS ARE INCHES WITH EQUIVALENT MILLIMETERS SHOWN IN BRACKETS.

JOHNSON
CONTROLS
 AUTOMOTIVE SYSTEMS GROUP INTERIORS

NAME

LABEL, HOMELINK/COMPASS
 BARCODE/ PATENT

PROJECT

01 RS

DRWN. BY S. GOOD DATE 10SEP99

CHKD. BY A. DENBOW DATE 10SEP99

CUSTOMER

CHRYSLER

ENGR. APPR C. SMIDSTRA DATE 10SEP99

SCALE 4/1 SHEET 1 OF 1

SIZE

B

TOOL NO. REF.

DATA FORMAT ACAD

DWG. NO.

VG5421

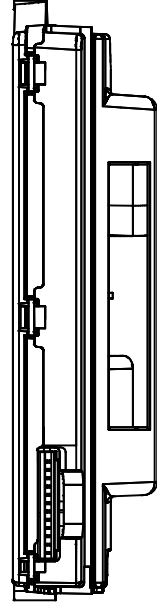
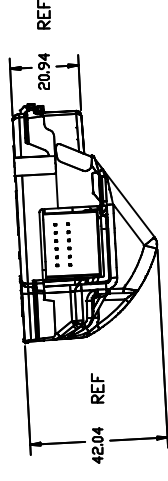
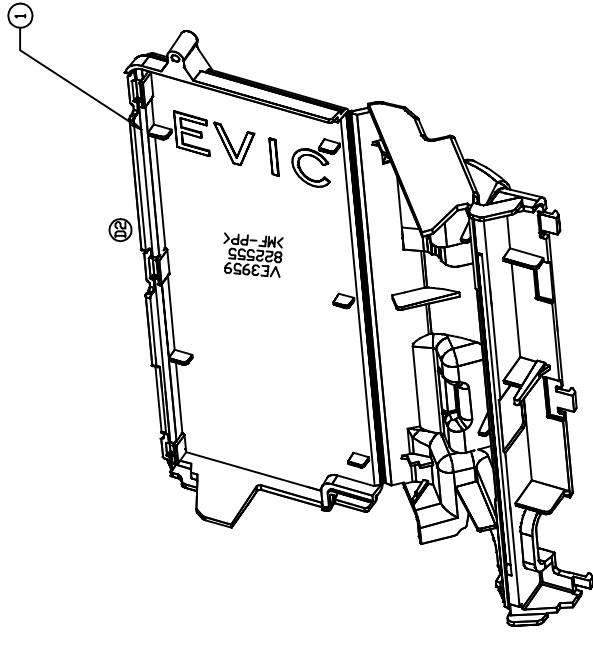
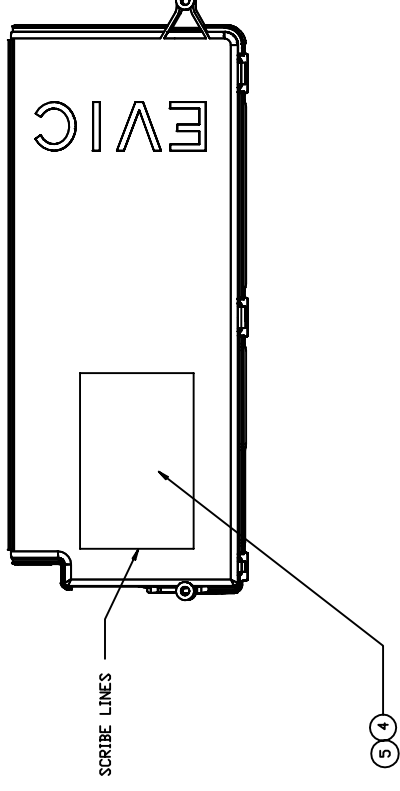
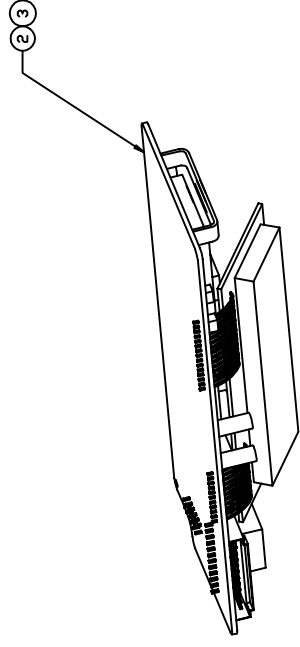
REV.

D

VF4430

NOTES:

1. ALL SNAPS MUST BE FULLY ENGAGED
2. PART MUST BE 100% ELECTRICALLY TESTED
3. HOUSINGS MAY NOT BE REUSED/REWORKED



ITEM	PART NUMBER	REV LEVEL	JCI TOOL NO.	COMPONENT	MATERIAL
5	VG5422	A	N/A	LABEL FOR COMPASS ONLY	PURCHASED
4	VG5421	A	N/A	PATENT LABEL - HOMELINK	PURCHASED
3	VC8105	C	N/A	EVIC CIRCUIT BOARD W/O HMLK	PURCHASED
2	VC8106	C	N/A	EVIC CIRCUIT BOARD W/HMLK	PURCHASED
1	VE3959	G	822555	EVIC ELECTRONICS CAPSULE	POLYPROPYLENE 25% CALCIUM FILLED

ASSEMBLY LISTED BELOW CONSISTS OF ABOVE PARTS

DaimlerChrysler Service Part Number	Part Number	REV	JCI Service Part Number	REV	NAME
5016282AA	VG3884	C	VF8280	C	ELECT. ASM. - EVIC HSG W/HMLK
5016281AA	VG3885	C	VF8279	C	ELECT. ASM. - EVIC HSG W/O HMLK

SPECIFICATIONS

PERFORMANCE: PES P0265
 MATERIAL: SEE INDIVIDUAL COMPONENT DRAWINGS
 FINISH: N/A
 GENERAL STANDARD UNLESS OTHERWISE SPECIFIED
 THIRD ANGLE PROJECTION
 DO NOT SCALE
 DIMENSIONS ARE IN MILLIMETERS
 X. DECIMAL 0.10 ANGLE 1/2°
 XX. DECIMAL 0.25
 XXX. DECIMAL 0.25
 SPECIFIES FEATURES REQUIRING SPECIAL CONSIDERATION. SEE THE PRODUCT CONTROL PLAN

A	RELEASE FOR PRODUCTION	50741	MAC	12JUL99	SS
B	ADD SPECIFICATIONS	51313	ACD	06AUG99	SS
C	ADD PART REVISIONS	51606	JMS	25AUG99	SS
D	REV CORR. CHART	52018	JMS	21SEP99	SS
E1	CHANGED MATERIAL IN CHART	52097	JMS	01OCT99	SS
E2	XMF-PP2 WAS XMF-PP1				
F1	UPDATE REVISION LEVELS AND CUSTOMER SERVICE NUMBERS				
F2	UPDATE TO LATEST HOUSING MODEL				

<p>JOHNSON CONTROLS AUTOMOTIVE SYSTEMS GROUP INTERIORS</p> <p>ELECTRONICS ASM, EVIC</p>		DESIGN ENGINEER MELISSA A CHARRON	DATE 12JUL99
		PROJECT ENGINEER ALLEN DUZTS	DATE 12JUL99
		DRAWN BY STEVE SPIERRE	DATE 12JUL99
		SCALE 1/1	SHEET 1DF1
SIZE	D	DWG NO.	VF4430
		DATA FORMAT	CATIA