

MITSUBISHI BLUETOOTH HANDS FREE MODULE
MITSUBISHI P/N: 8785A015

1872721XXXXXXXX

U.S. PATENTS: 7,257,426, 7,346,374, 7,349,722 ADDITIONAL PATENTS PENDING

JCITM ASM NUMBER: 1872721 REVX S/W REV: X.X.X

e 11 C E0682 N12559
03 3642



R202WW09113311

MODEL MMC/FCC ID: CB2MDGMY10

IC: 279B-MDGMY10

MADE IN FRANCE
MM/DD/YYYY



TRC COFETEL TRA

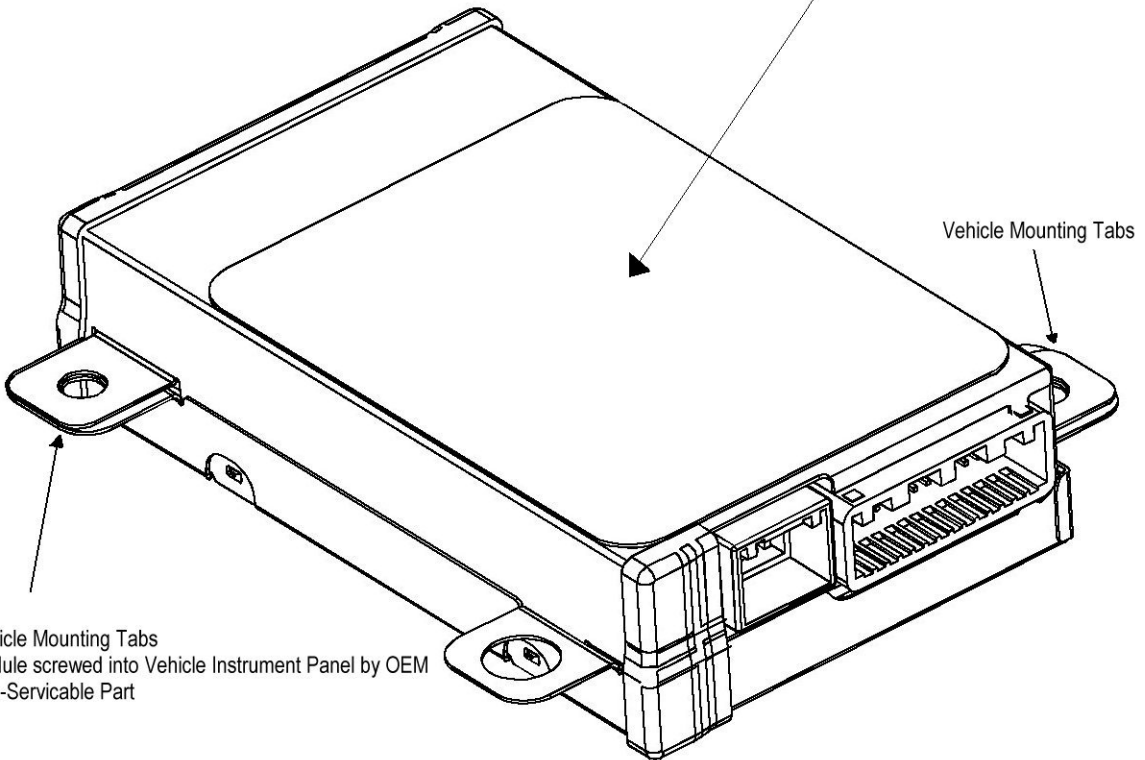
REGISTERED No: nnnnnn

XXXXXXXXXX XXXXXXXXXXXX

DEALER No: XXXXXXXX JOHNSON CONTROLS

BLUETOOTH ADDRESS: XX:XX:XX:XX:XX:XX

BLUETOOTH QD ID TBD



Vehicle Mounting Tabs
Module screwed into Vehicle Instrument Panel by OEM
Non-Serviceable Part