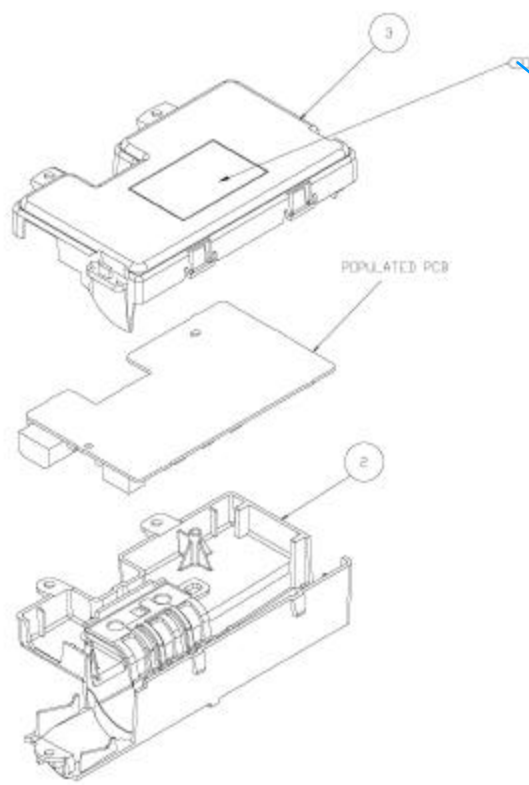


RELEASABLE



POPULATED PCB

BARCODE AREA

PATENT GROUP: **AC** 

ADDITIONAL PATENTS PENDING

FCC ID: CB2LXHL3
IC: 279B-LXHL3
56050243AB

JCITM MODEL: LXHL3 75813

VIEW FOR REFERENCE ONLY

REV	DATE	DESCRIPTION	DESIGNED BY	CHECKED BY	DATE

JOHNSON
CONTROLS

PCB ASSEMBLY

ELECTRONICS STD. UNLESS OTHERWISE SPECIFIED		DATE: 04.0 LX/WK CDM	REV:	APP:
<input type="checkbox"/> THIRD ANGLE PROJECTION				
DO NOT SCALE				
1:1 EQUAL TO CH 2:1 EQUAL TO CH 3:1 EQUAL TO CH	ANGLE: 1 1/2" DATE: 04.01.2010	DWG: DAWLER DOWNSLEY DES: DWT: ACAD	1/1 1/1	SHEET 4 OF 4 A
DIMENSIONS ARE IN CH UNLESS OTHERWISE SPECIFIED		VR34-66		

8 7 6 5 4 3 2 1