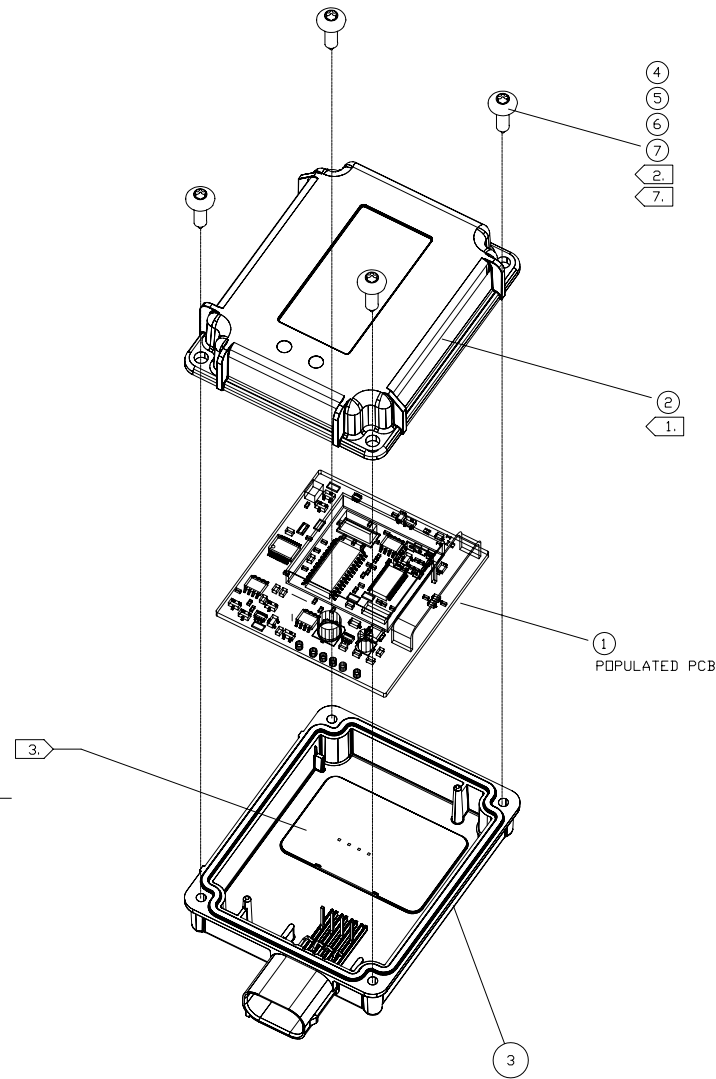
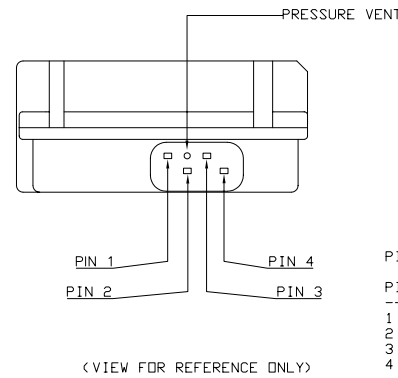


# Unreleased copy!

# For your information



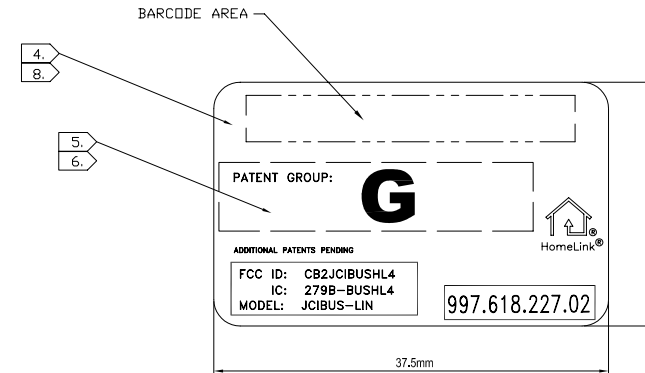
<VIEW FOR REFERENCE ONLY>



PIN ASSIGNMENT

PIN	FUNCTION
1	NC
2	LN
3	GND
4	IGN

<VIEW FOR REFERENCE ONLY>



BAR CODE: DIN EN800  
SELF ADHESIVE LABEL: TLS20 38  
MATERIAL COLOR: WHITE

Table of Significant (SC) Critical (CC) Characteristic		Number of Characteristics
▽	Designates critical characteristic to be monitored per Control Plan.	2
▽	Designates critical characteristic to be monitored per Control Plan using attribute gauging methods.	-
▽	Designates critical characteristic to be monitored per Control Plan using variable measurement or gauging methods.	-
○	Designates significant characteristic to be monitored per Control Plan.	-
○	Designates significant characteristic to be monitored per Control Plan using variable measurement or gauging methods.	-
○	Designates significant characteristic to be monitored per Control Plan using variable measurement or gauging methods.	-
□	Designates characteristic to be checked at initial / subsequent customer part submission.	-

LOCATION	DESCRIPTION	PART#	QTY	PACKAGE
1	PCB ASSEMBLY US HL4 BUMPER	1563403	1	TH_FAKEPART
2	UPPER HOUSING HMLK	1112922	1	TH_FAKEPART
3	LOWER HOUSING HMLK	1112924	1	TH_FAKEPART
4, 5, 6, 7	SCREW M3.2-2.5X12.5 TTH PG ZB	VR1353	4	TH_FAKEPART
8	LABEL HOMELINK III BARCODE/PATENT	1108189	1	TH_FAKEPART

NOTES:

- SEAL WITH LOCTITE 5910 APPLIED TO INSIDE OF GROOVE OF UPPER HALF OF HOUSING (ITEM 2)
  - SECURE ENTIRE HOUSING ASSEMBLY (ITEMS 2 AND 3) TOGETHER USING FOUR SCREWS (ITEMS 4, 5, 6, 7)
  - ATTACH HOMELINK LABEL (ITEM 8) TO OUTSIDE OF HOUSING (ITEM 3) IN AREA INDICATED
  - ASSEMBLER IS TO PRINT LABEL INFORMATION AS SHOWN, USING ADHESIVE LABEL (ITEM 8)
- | DIGITS | 7          | 1   | 4  | 2   |
|--------|------------|-----|----|-----|
| TYPE   | PRODUCT NO | REV | SN | REV |
| 5      |            |     |    |     |
| 6      |            |     |    |     |
| 7      |            |     |    |     |
| 8      |            |     |    |     |
| 9      |            |     |    |     |
| 10     |            |     |    |     |
| 11     |            |     |    |     |
- REFER TO LATEST REVISION OF DRAWING VJ0245 FOR ACTUAL PATENT NUMBERS FOR THE PATENT GROUP IDENTIFIED
  - LAY OUT PATENT NUMBERS TO FILL SPACE AVAILABLE, BUT NATION / ORGANIZATION OF ORIGIN HEADINGS MUST BE MAINTAINED FOR CORRESPONDING PATENT NUMBERS AS SHOWN ON LATEST REVISION OF DRAWING VJ0245
  - TORQUE ON EACH SCREW SHOULD NOT EXCEED 10 ±2 (inch-lbs)
  - LABEL MUST BE PRINTED USING IDENTCD RIBBON TTRR-D
  - THE ASSEMBLED, SEALED HOUSING SHALL WITHSTAND 7 PSI FOR 30 SECONDS WITH A MAXIMUM LOSS OF NO MORE THAN .0035 PSI
  - THE MATERIAL RESTRICTIONS IN ACCORDANCE TO 'ELV' INCLUDING ANNEX II OF THE EU-DIRECTIVE 53/2000/EG OR ENGINEERING EQUIVALENT REGARDING MATERIAL RESTRICTIONS HAVE TO BE MET
  - FLAMABILITY BEHAVIOUR ACCORDING TO FMVSS302 OR ENGINEERING EQUIVALENT

CORRELATION CHART		PRODUCT CODE BI									
DRAWING REV	DATE	REV	REV	REV	REV	REV	REV	SOFTWARE HEX FILE NAME	UPPER HSG PART NO. JCI - EUROPE	LOWER HSG PART NO. JCI - EUROPE	
1	31JAN07	1	H00	000	1	1	1545928RC.hex	1112922	1112924		
2	07MAY07	2	H01	000	2	1	1545928RC.hex	1112922	1112924		
3	13NOV07	3	H01	000	3	1	1602749.hex	1112922	1112924		
-	-	-	-	-	-	-	-	-	-		
-	-	-	-	-	-	-	-	-	-		
-	-	-	-	-	-	-	-	-	-		
-	-	-	-	-	-	-	-	-	-		
-	-	-	-	-	-	-	-	-	-		
-	-	-	-	-	-	-	-	-	-		

Rev	Rep	Vers	Date	ECO-No	ECO-Nr	ECO-Nr	Revision Text	Field	Drawn	Check
Lev	PDI		(YY-MM-DD)	(YY-MM-DD)	(YY-MM-DD)	(YY-MM-DD)	Description of the Modification	Gez.	Gepr.	Zone
3	-	-	07-11-13	2835015	2826516	1563403-3 WAS 1563403-2 (1)	LABEL ENTRIES CHANGED, REV CORR CHART	-	TBR	FBO
2	-	-	07-05-07	2596479	2570900	1563403-2 WAS 1563403-1 (1)	ADD SC/CC CHART, ADD NOTE 10 AND 11	-	TBR	FBO
1	-	-	07-01-31	2388681	2373610	INITIAL RELEASE	REV CORR CHART	-	TBR	FBO

Record Obligation	Scale	Prepared of	Name/No	Date/Datum
Documentationpflicht	Messstab	Erstellt von		
Enregistrement obligatoire	Echelle	Erstellt von		
-	1:1	Approved by	TBR	2007-01-31
-	-	Checked by	FBO	2007-01-31
-	-	None checked	TST	2007-02-05
-	-	None checked		
-	-	None checked		

Notes / Bemerkung / Remarques

Drawing Title / Zeichnungsbenennung / Designation: **ELECTRONIC ASSEMBLY**  
US HOMELINK4 PORSCHE 9X7

Drawing Number / Zeichnungsnummer / Numero Plan: **1563402**

Revision Level / Revisionsstand / Revision Index: **3**

Part Title / Teile Benennungen / Designation: **ELECTRONIC ASSEMBLY**  
US HOMELINK4 PORSCHE 9X7

Part Number / Teile Nummer / Numero Piece: **1563402**

Revision Level / Revisionsstand / Revision Index: **3**

Mirror Part Title / Spiegelbild / Designation Piece Symetrique: -

Mirror Part Number / Spiegelbild Nummer / Numero Piece Symetrique: -

Revision Level / Revisionsstand / Revision Index: -

Finish treatment / Oberflächenbehandlung / Rugositate: -

Unit of measure / Masseinheit / Unite de mesure: -

Effectivity Class / Entwicklungsstand / Stade de Developpement: -

Material / Werkstoff / Matière: -

Actual / Errechnet / Calculé: -

Development / Entwicklung / Developpement: -

Prototype / Prototypen / Prototype: -

Production / Produktion / Production: -

Series / Serie / Série: **S**

The reproduction, distribution and utilization of this document as well as the communication of its contents to others without explicit authorization is prohibited. Offenders will be held liable for the payment of damages. All rights reserved in the event of the grant of a patent, utility model or design. (Protective note of ISO 16016)

Wiedergabe sowie Vervielfältigung dieses Dokuments, Verwertung und Mitteilung seines Inhalts sind verboten, soweit nicht ausdrücklich gestattet. Zuwiderhandlungen verpflichten zu Schadensersatz. Alle Rechte für den Fall der Patent-, Gebrauchsmuster- oder Geschmackschutzrechtsverletzung vorbehalten. (Schutzvermerk aus ISO 16016)

Toute communication ou reproduction de ce document, sous quelque forme que se soit, et toute exploitation ou communication de son contenu sont interdites, sauf autorisation expresse. Tout manquement a cette regle est illicite et expose son auteur au versement de dommages et interets. Tous droits reserves pour le cas de la delivrance d'un brevet, d'un modele d'utilite ou d'un modele de presentation. (note de protection intellectuelle ISO 16016)

Projection / Projektion / Projection: ISO 128-30

Sheet/Blatt / Planche: **1/1**

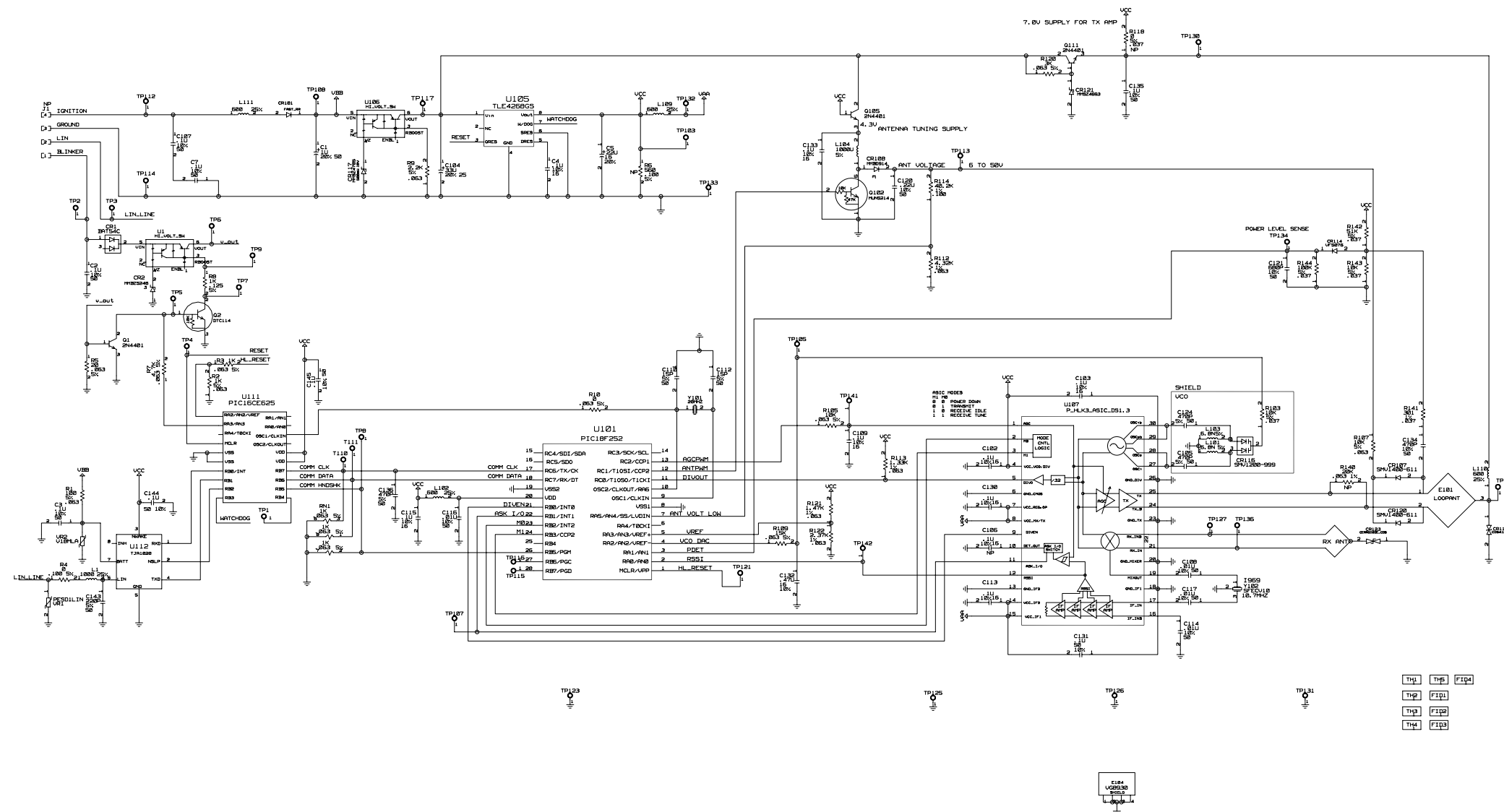
CAD-System & Version: AutoCAD2005

Rev 001 Apr 06



# Unreleased copy!

# For your information



Rev	Rep	Vers	Date	ECO-No	ECO-No	ECO-No	Revision Text	Field	Drawn	Check
Level	Part	Doc	(YY-MM-DD)	(YY-MM-DD)	(YY-MM-DD)	(YY-MM-DD)	Description of the Modification	Zone	Gepr.	Verif.
-	-	-	-	-	-	-	-	-	-	-
3	-	-	07-11-13	2835015	2826516	1602749	WAS 1172052 (U101)	-	TBR	FBO
-	-	-	-	-	-	-	EDIT NOTE 5 AND 6	-	-	-
-	-	-	-	-	-	-	***NO STENCIL CHANGE REQUIRED***	-	-	-
2	-	-	07-05-08	2596479	2570900	1170094	WAS VA1511 (R1), 1346225 WAS NP (VR2)	-	TBR	FBO
-	-	-	-	-	-	-	ADD SC/CC CHART, ADD NOTE 11 AND 12	-	-	-
-	-	-	-	-	-	-	***NO STENCIL CHANGE REQUIRED***	-	-	-
1	-	-	07-01-30	2388681	2373610	-	INITIAL RELEASE	-	TBR	FBO

Record	Scale	Name/Date	Date/Date
Documentation	Scale	Name/Date	Date/Date
-	-	Prepared of	TBR 2007-01-30
-	-	Approved by	FBO 2007-01-31
-	-	None checked	TST 2007-02-05
-	-	None checked	-

Notes / Bemerkung / Remarques	Drawing Number	Revision Level
-	1563403	3

Drawing Title / Zeichnungsbenennung / Designation	Drawing Number	Revision Level
PCB ASSEMBLY US HL4 BUMPER	1563403	3

Part Title / Teile Benennungen / Designation	Part Number	Revision Level
PCB ASSEMBLY US HL4 BUMPER	1563403	3

Material/Verkstoff/Matiere	Actual	Calculated	Development	Prototype	Production
Semi-finished Product/Halbzeug/Matiere Brute	-	-	-	-	S

Projection / Projektion	Sheet/Blatt
ISO 128-30	2/2

Reference / Referenz / Reference	Rev
-	001