

1252750

REV	DATE	DESCRIPTION	P.N.	SS	DATE	BY
A		RELEASE FOR PROTOTYPE	146244	SS	10JAN05	DRCT
B		1252749-B WAS 1252749-A (1)	146244	SS	08FEB05	DRCT
1		RELEASE FOR PRODUCTION ADDED NOTE B	154485	SS	03MAY05	DRCT
2		1252749-2 WAS 1252749-1 (1) UPDATED LABEL	154485	SS	03MAY05	DRCT

BARCODE AREA

PATENT GROUP: **Z**

ADDITIONAL PATENTS PENDING

FCC ID: CB2DREVICHL3
IC: 279B-DREVICHL3

56046038AA

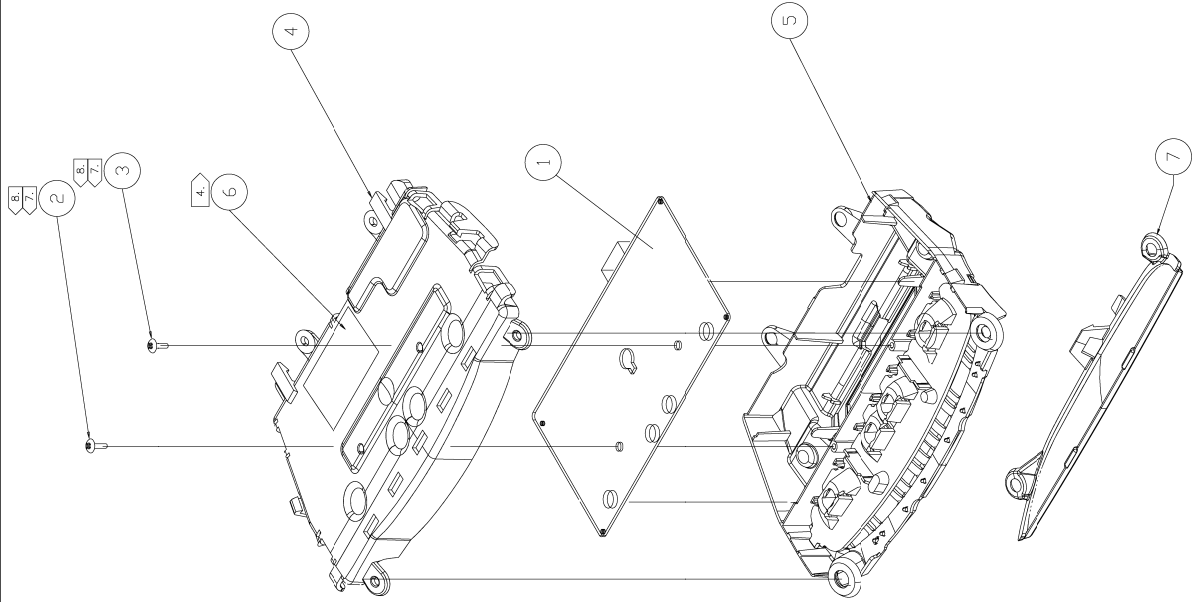
JCTM MODEL: TRUCK EVIC 75813

NOTES:

1. ASSEMBLER IS TO PRINT LABEL INFORMATION AS SHOWN, USING ADHESIVE LABEL (ITEM 6).
2. REFER TO LATEST REVISION OF DRAWING VJ0245 FOR ACTUAL PATENT NUMBERS FOR THE PATENT GROUP IDENTIFIED.
3. LAP OVER PATENT NUMBERS TO THE SPACE AVAILABLE BUT NATION / ORGANIZATION OF ORIGIN MUST BE IDENTIFIED. LIST THE CORRESPONDING PATENT NUMBERS AS SHOWN ON LATEST REVISION OF DRAWING VJ0245.
4. PLACE BARCODE / PATENT NUMBER LABEL (ITEM 6) IN AREA INDICATED. DO NOT COVER HOLES OR MARKINGS ON THE HOUSING.
5. REVISIONS TO PLASTIC HOUSING (ITEM 4 & 5) MAY AFFECT THIS PRODUCT'S RADIO FREQUENCY PERFORMANCE.
6. ENCLOSE POPULATED PCB (ITEM 1) INTO HOUSING (ITEM 4 & 5) USING SCREWS (ITEM 2 & 3) AS SHOWN.
7. ANY PERMANENT OR TEMPORARY SUBSTANCE (LUBRICANTS, CUTTING OILS, MOLD RELEASE, RUST INHIBITORS, FASTENER COATINGS, ETC.) USED ON THIS PART MUST BE COMPATIBLE WITH THE HOUSING (ITEM 4 & 5).
8. TORQUE APPLIED TO SCREWS (ITEM 2 & 3) SHALL BE 8 IN/LBS ± 1 IN/LBS.

PART NUMBER: 1252750 REV 2

PN	DESCRIPTION	QTY	RELOC. TYPE
1252749-2	PCB ASM 07 TRUCK EVIC REV 2	1	THE FAKEPART
VJ0245	SCREW M3 X 2.5 X 14 TTG PN	2	THE FAKEPART
VJ0245-D	HOUSING LOWER	1	THE FAKEPART
VJ0245-E	HOUSING UPPER	1	THE FAKEPART
VJ0244-A	LENS ASM 02 IR	1	THE FAKEPART



VIEW FOR REFERENCE ONLY

 JOHNSON CONTROLS A Johnson Controls Company	
ELECTRONIC ASSEMBLY	

ELECTRONICS STD. UNLESS OTHERWISE SPECIFIED THIRD ANGLE PROJECTION DIMENSIONS ARE INCHES WITH EQUIVALENT MILLIMETERS SHOWN IN BRACKETS.	DRAWN BY: S. SMITH DATE: 10JAN05 CHECKED BY: K. VANIERE DATE: 10JAN05 DESIGNED BY: T. KLAVIER SCALE: NONE SHEET 1 OF 1
PART: 07 TRUCK EVIC HMK III CAN / BUS CUSTOMER: DAIMLER CHRYSLER	TOOL NO. REF: 1252750 DOC FORM: ACAD

8 | 7 | 6 | 5 | 4 | 3 | 2 | 1