

4 X R.025[.64]
APPROX.

BARCODE AREA

U.S. PATENTS:

5442340 5479155 5583485 5614891 5661804
5686903 5699054 5708415 5854593 5903226
4546551 4953305 5664335 4851775 5239264
5878370 4425717 5661651

GB PATENTS:

2277620 2305281 2305282 2315893 2322215
2300945 2302751 2301899

JAPAN PATENTS:
2689078

EPO PATENTS:
0120691

FCC ID: CB2CPSIHL3
CANADA: XXXXXXXXXX
JCI™ MODEL: CPSIHL3

ADDITIONAL PATENTS PENDING
CHRYSLER SERVICE PART #
05072913AA



75813

2.000 [50.80]

DWG. NO.
000000

1.250[31.75]

REVISION BLOCK

REV	SH/ ZONE	DESCRIPTION	P.C.N.	BY	DATE	BY

THIRD ANGLE PROJECTION

DO NOT SCALE

UNLESS OTHERWISE SPECIFIED

.X DECIMAL ± .040 [1.0] ANGULAR ± 2° 0'
.XX DECIMAL ± .020 [.50] DRAFT ANGLES NOTED
.XXX DECIMAL ± .006 [.150]

SPECIFIES FEATURES REQUIRING SPECIAL CONSIDERATIONS,
SEE PRODUCT CONTROL PLAN.
DIMENSIONS ARE INCHES WITH EQUIVALENT MILLIMETERS SHOWN IN BRACKETS.

JOHNSON
CONTROLS
AUTOMOTIVE SYSTEMS GROUP INTERIORS

NAME

03 CS COMP/HMLKIII/PSI

PROJECT	DRWN. BY	DATE
CORPORATE		
CUSTOMER	CHKD. BY	DATE
GENERAL		
	ENGR. APPR	DATE
	SCALE	SHEET 1 OF 1
	4/1	
REV.	TOOL NO. REF	DWG. NO.
B		000000
	DATA FORMAT	REV.
	ACAD	A

DWG. NO. VH4000

REVISION BLOCK					
REV	SH/ZONE	DESCRIPTION	P.C.N.	BY	DATE

17
18

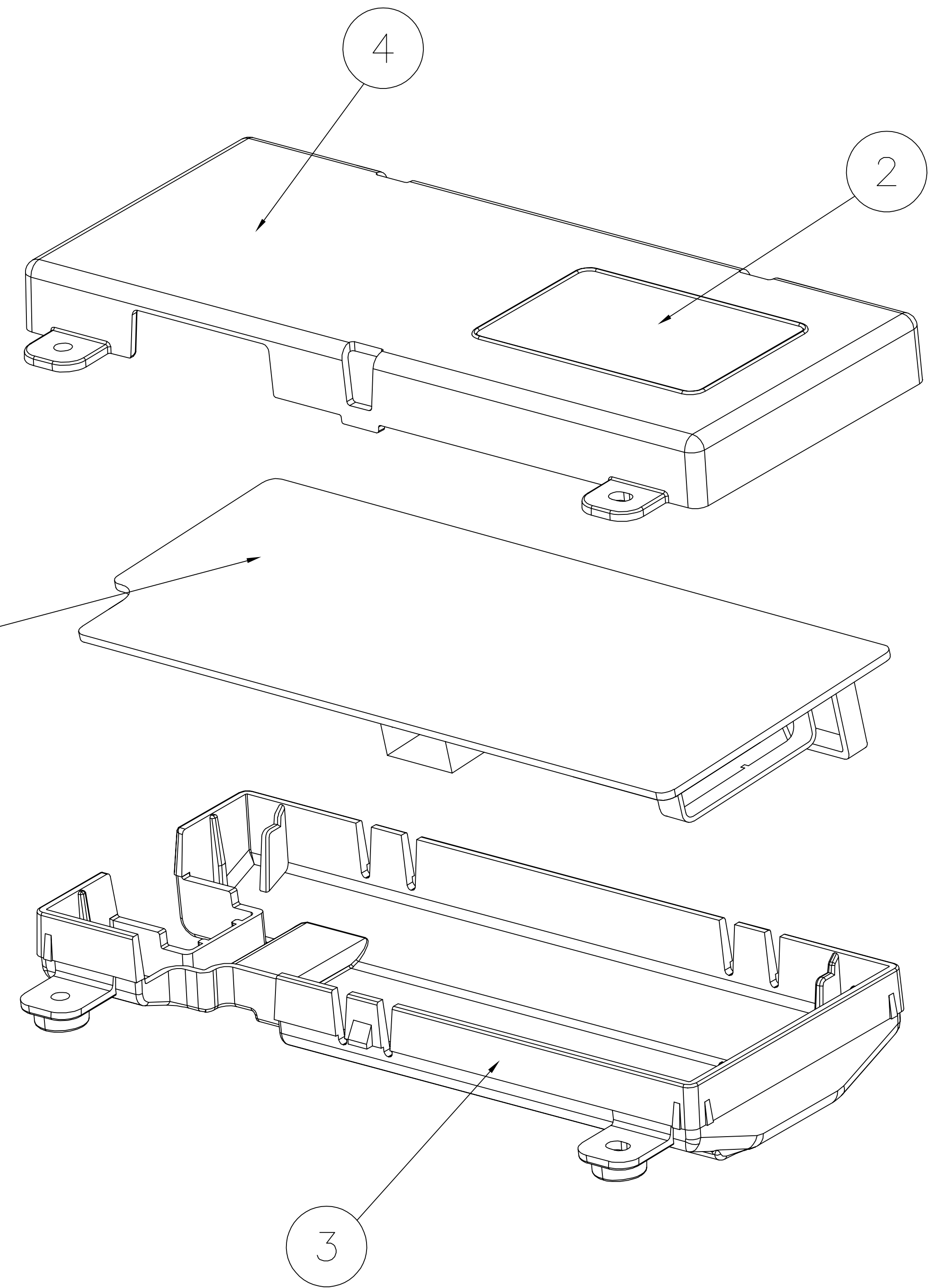
BARCODE AREA

PATENT GROUP: **W**

HomeLink®
PSI™

ADDITIONAL PATENTS PENDING
CHRYSLER SERVICE PART # 05072913AA

FCC ID: XXXXXXXXXX
CANADA: XXXXXXXXXX
JCI™ MODEL: CSOHCPSI 75813



POPULATED PCB

JOHNSON CONTROLS
AUTOMOTIVE SYSTEMS GROUP INTERIORS

NAME: PCB ASSEMBLY

PROJECT	DRWN. BY	DATE
03 CS COMP/HMLK III/PSI	CHKD. BY	DATE
CUSTOMER	ENGR. APPR	DATE
CHRYSLER	SCALE	NONE
SIZE	TOOL NO. REF.	DWG. NO.
D	DATA FORMAT ACAD	VH4000
		REV. 6

ELECTRONICS STD. UNLESS OTHERWISE SPECIFIED

THIRD ANGLE PROJECTION

DO NOT SCALE

X.X DECIMAL ± 0.040 [± 1.0] ANGULAR ± 2° 0'

X.XX DECIMAL ± 0.020 [± .50] DRAFT ANGLES NOTED

X.XXX DECIMAL ± 0.006 [± .15]

SPECIFIES FEATURES REQUIRING SPECIAL CONSIDERATIONS. SEE PRODUCT CONTROL PLAN.

DIMENSIONS ARE INCHES WITH EQUIVALENT MILLIMETERS SHOWN IN BRACKETS.

8 7 6 5 4 3 2 1

F
E
D
C
B

A