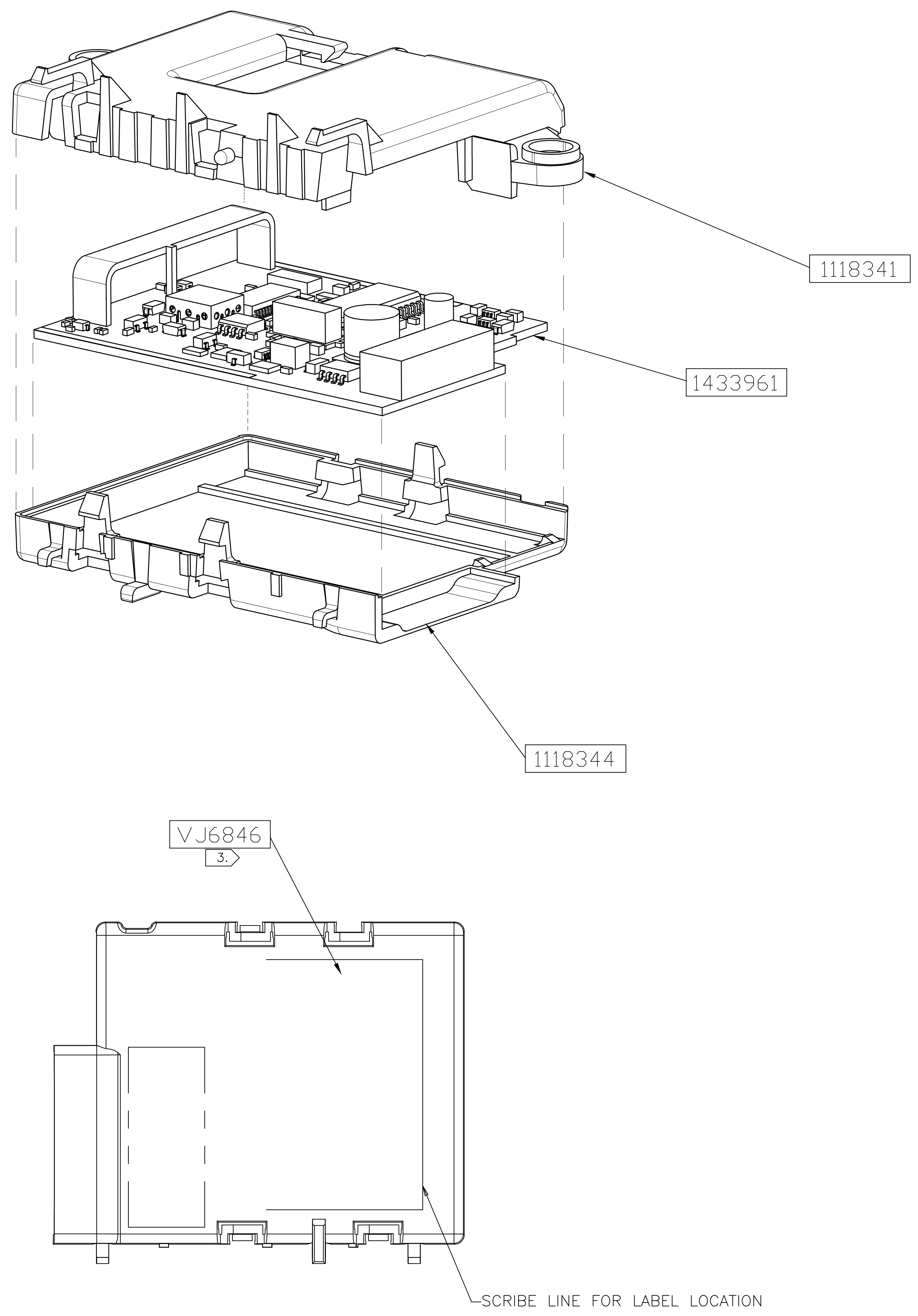
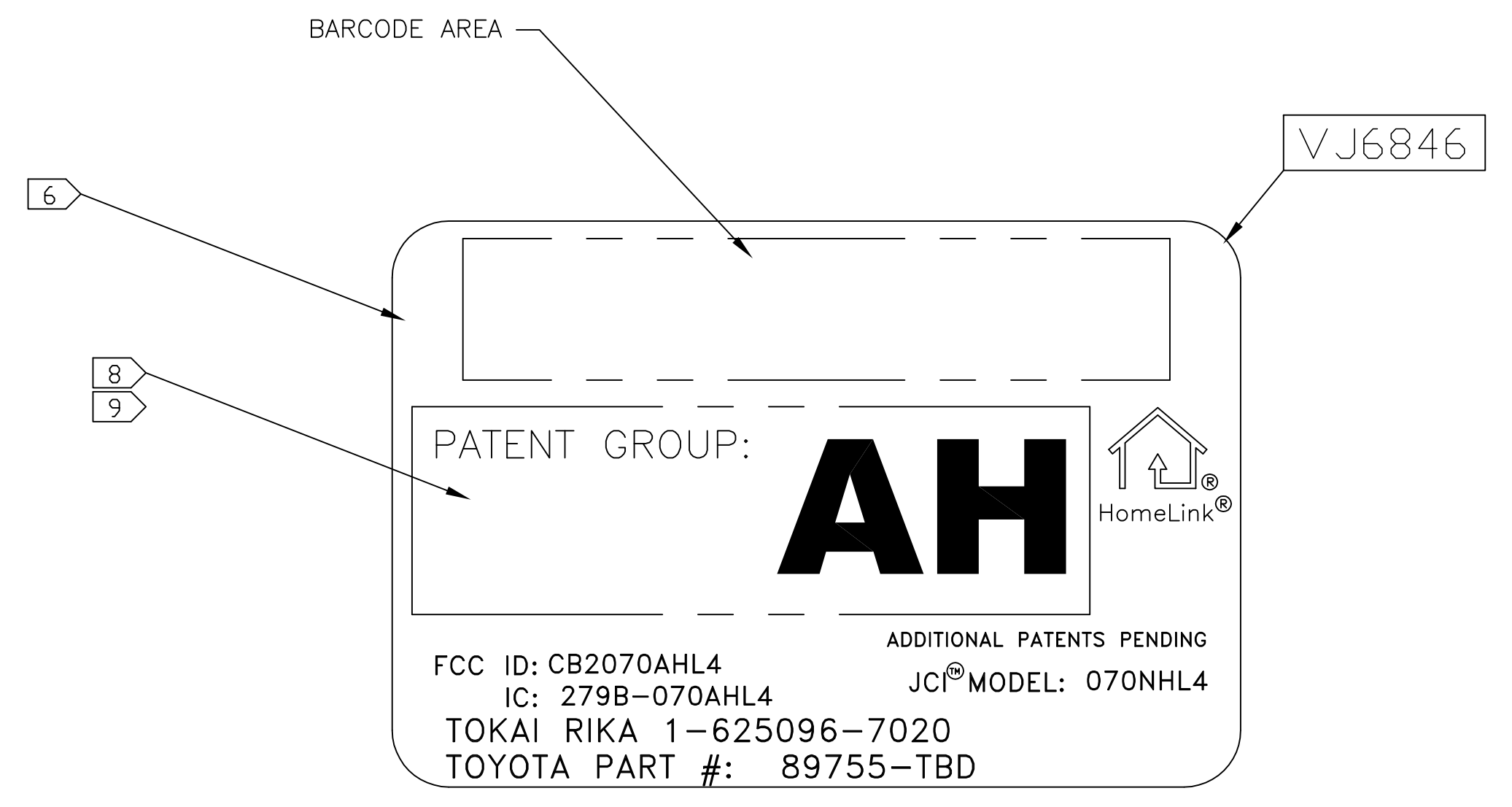


REVISION BLOCK						
REV	SW/ZONE	DESCRIPTION	P.C.N.	BY	DATE	BY
A		RELEASE FOR PROTOTYPE	2959713	BS	06FEB08	EDICT



- NOTES:
1. REFERENCE IPC-A-610 STANDARDS FOR ASSEMBLY PRACTICES AND PROCEDURES, UNLESS OTHERWISE SPECIFIED.
  2. ENCLOSE ELECTRONICS IN HOUSINGS.
  3. PLACE BARCODE/PATENT LABEL OUTSIDE OF HOUSING IN AREA INDICATED.
  4. PLACE COMPLETED ASSY. IN ZIPLOCK ESD BAG.
  5. ALL COMPONENTS MUST MEET SPECIFICATIONS CALLED OUT ON COMPONENT LEVEL DRAWINGS.
  6. ASSEMBLER IS TO PRINT LABEL INFORMATION AS SHOWN, USING ADHESIVE LABEL.
  7. REFER TO LATEST REVISION OF DRAWING 1535474 FOR ACTUAL PATENT NUMBERS FOR THE PATENT GROUP IDENTIFIED.
  8. LAY OUT PATENT NUMBERS TO FILL SPACE AVAILABLE, BUT NATION / ORGANIZATION OF ORIGIN HEADINGS MUST BE MAINTAINED FOR CORRESPONDING PATENT NUMBERS AS SHOWN ON LATEST REVISION OF DRAWING 1535474.
  9. TOKAI RIKA CUSTOMER PART IS 1-625096-7020. ADD TO ALL PAPERWORK AND BOX LABELS.



FOR BILL OF MATERIALS FOR ASSEMBLIES SEE THE FOLLOWING ELECTRONIC FILES INCLUDED IN THE ASSEMBLY DATA RELEASE PACKAGE:

ASSEMBLY NUMBER	REVISION	ELECTRONIC FILE NAME
1799348	A	1799348_A_BOM.XLS

VIEWS FOR REFERENCE ONLY

ELECTRONICS STD. UNLESS OTHERWISE SPECIFIED	
③ © THIRD ANGLE PROJECTION	I AW ANSI Y14.5M 1982
DO NOT SCALE	
X.X DECIMAL ± .040 [1.00]	ANGULAR ± 2° 0'
X.XX DECIMAL ± .020 [.50]	DRAFT ANGLES NOTED
X.XXX DECIMAL ± .006 [.15]	
DIMENSIONS ARE IN INCHES WITH EQUIVALENT MILLIMETERS SHOWN IN BRACKETS.	
SUBSTANCE USE RESTRICTION: THE GLOBAL AUTOMOTIVE DECLARABLE SUBSTANCES LIST (SEE <a href="http://www.gadsl.org">HTTP://WWW.GADSL.ORG</a> ) REGARDING PROHIBITED AND DECLARABLE SUBSTANCES APPLIES TO ALL MATERIALS USED IN THIS PART.	

<b>JOHNSON CONTROLS</b> AUTOMOTIVE SYSTEMS GROUP INTERIORS			
ELECTRONIC ASSEMBLY			
PROJECT	TOKAI RIKA HMLK IV	DRWN. BY	BRET SUNNERVILLE
DATE	06FEB08	CHKD. BY	KEITH VANLIERE
CUSTOMER	TOYOTA	ENGR. APPR	JAKE BELTER
SCALE	NONE	DATE	06FEB08
SIZE	D	SCALE	NONE
TOOL NO. REF.		DWG. NO.	1799348
DATA FORMAT	ACAD	REV.	A