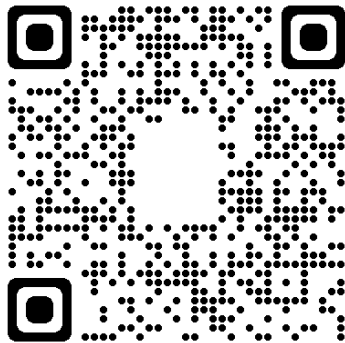


taït AXIOM WEARABLE

TWX500

Quick Start Guide

This document provides basic operating instructions for TAIT TWX500 series devices. For more information see:



<https://www.taitradio.com/products/taixiom/wearables>

Important Safety Information



Caution: For safe operation, storage and maintenance information, read all included safety documentation. Use only Tait approved accessories and software.



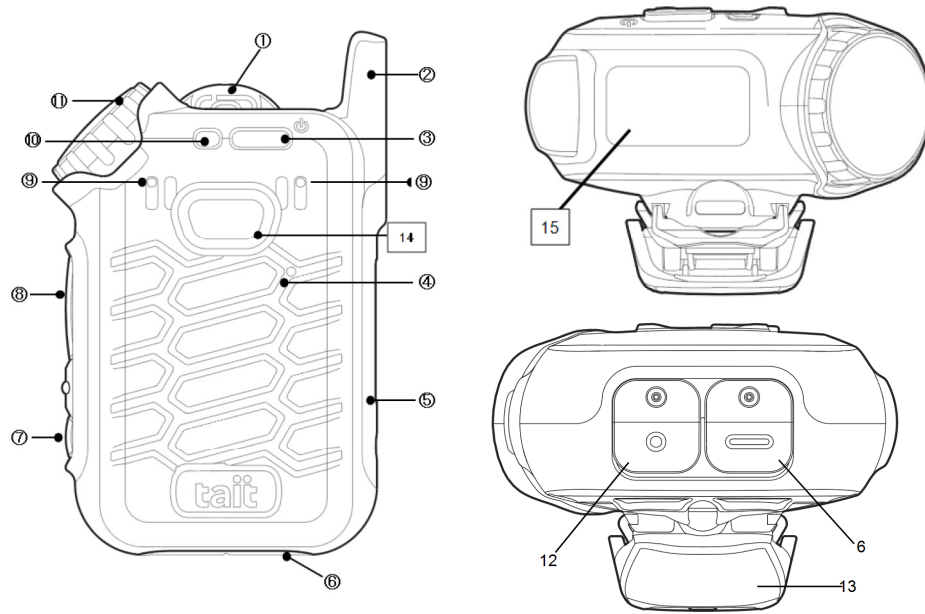
Do not operate this device while charging.

Do not use this device while operating a moving vehicle.

Programming and maintenance must be carried out by a certified Tait technician. Do not open the device. Contact your Tait representative for more information.

Not suitable for use in an explosive environment.

Product Overview



	EN
1	Lanyard hook
2	Antenna
3	Home/Power button
4	Speaker
5	SIM card slot
6	USB-C Charging
7	Function key
8	Press To Talk (PTT)
9	Microphones
10	LED
11	Selector dial
12	3.5mm audio jack
13	Belt clip
14	Emergency button
15	OLED display

What's Included

- 1 x TWX550 Tait Wearable device
- 1 x USB-C charging cable
- 1 x belt clip
- 1 x Safety and Compliance Manual
- 1 x Quick Start Guide

Frequencies and Transmitters

Region	LTE FDD	HSPA+
Asia Pacific	1, 3, 5, 8, 9, 18, 19, 26, 28	1, 5, 6, 8, 19
Europe	1, 3, 7, 8, 20, 28A	1, 3, 8
North America	2, 4, 5, 12, 13, 14, 66, 71	2, 4, 5

Mode	Maximum Output
LTE	25.3 dBm
WiFi (2.4GHz)	16.8 dBm
WiFi (5GHz)	12.9 dBm
Bluetooth®	4.5 dBm
BLE	4 dBm

Battery

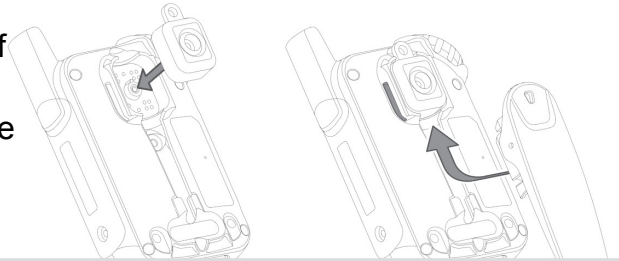


This product uses a lithium-ion battery. The battery is sealed and inaccessible. It is not user-serviceable.

Getting Started

Attaching the Belt Clip

- Ensure either cover or connector is fitted
- Push the top of the belt clip onto the bottom of the clip holder
- Push the battery clip up until it clicks into place



The connector can be fitted with the lanyard hook facing up or down as preferred.

Charging the Device

Before using the device, it should be charged.

- Insert the USB-C cable and connect to a USB power supply capable of at least 2A , or
- dock the device in a Tait charging dock (optional).

Turning On/Off

- On - push the Home button
- Off - Hold the Home button down or select Menu > Power > Shutdown
- Restart - select Menu > Power > Reboot

Basic Care

- Do not leave the wearable in extreme temperatures
- Do not immerse in water Use a moistened or anti-static cloth to clean
- Do not use a dry or electrostatically charged cloth

Viewing Compliance Information

Select Menu > System > Regulatory Information

TWX500

Safety and Compliance Information

DRAFT - Issue 01 - November 2021

Important: Read carefully before use. Keep for future reference.

For the latest user documentation, visit <https://partnerinfo.taitradio.com/>.

Important: Veuillez lire ces informations avec attention avant toute utilisation. Conservez-les à titre de référence.

Pour accéder aux manuels d'utilisation les plus récents, veuillez visiter <https://partnerinfo.taitradio.com/>.

Wichtig: Bitte dieses Dokument vor der Benutzung lesen und als zukünftige Referenz aufbewahren.

Die aktuelle Benutzerdokumentation finden Sie auf <https://partnerinfo.taitradio.com/>.

Importante: Leia com atenção antes de usar. Guarde para referência futura.

Para a documentação mais recente do usuário, por favor visite <https://partnerinfo.taitradio.com/>.

Leer detenidamente antes de usar. Mantener para referencia futura.

Para ver la documentación más reciente para el usuario, visite <https://partnerinfo.taitradio.com/>.

Contact Information

Tait Communications

Corporate Head Office

Tait International Limited
P.O. Box 1645
Christchurch
New Zealand

Imported into the EU by:	Imported into the UK by:
Tait Communications GmbH	Tait Europe Limited
Stipcakgasse 40	Unit A, Buckingham Business Park,
1230 Vienna	Anderson Road
Austria	Swavesey
	Cambridge, CB24 4UQ
	United Kingdom

For the address and telephone number of regional offices, refer to our website: www.taitradio.com

About this document

Before using the radio, please read the important safety and compliance information below.

For information about the way your radio operates, see the user's guide or contact your radio provider.

Copyright and Trademarks

All information contained in this document is the property of Tait International Limited. All rights reserved. This document may not, in whole or in part, be copied, photocopied, reproduced, translated, stored, or reduced to any electronic medium or machine-readable form, without prior written permission from Tait International Limited.

The word TAIT, TAITNET and the TAIT logo are trademarks of Tait International Limited.

All trade names referenced are the service mark, trademark or registered trademark of the respective manufacturers.

By using a Tait product you are agreeing to be bound by the terms of the Tait Software Licence Agreement. Please read the Tait Software Licence Agreement carefully before using this Tait product. If you do not agree to the terms of the Tait Software Licence Agreement, do not use the Tait Product. The full agreement is available at www.taitradio.com/our-resources/legal#Tait_Software_Licence_Agreement

If you have any enquiries regarding this document, or any comments, suggestions and notifications of errors, please contact your regional Tait office.

Intellectual Property Rights

This product may be protected by one or more patents or designs of Tait International Limited together with their international equivalents, pending patent or design applications, and registered trademarks, for a complete list please check www.taitradio.com/patent

The AMBE+2™ voice coding Technology embodied in this product is protected by intellectual property rights including patent rights, copyrights and trade secrets of Digital Voice Systems, Inc. This voice coding Technology is licensed solely for use within this Communications Equipment. The user of this Technology is explicitly

prohibited from attempting to decompile, reverse engineer, or disassemble the Object Code, or in any other way convert the Object Code into a human-readable form.

Environmental Responsibilities

Tait International Limited is an environmentally responsible company which supports waste minimization, material recovery and restrictions in the use of hazardous materials. The European Union's Waste Electrical and Electronic Equipment (WEEE) Directive and The Waste Electrical and Electronic Equipment Regulations 2013 No. 3113 require that this product be disposed of separately from the general waste stream when its service life is over. For more information about how to dispose of your unwanted Tait product, visit the Tait WEEE website at www.taitradio.com/our-resources/-compliance#WEEE. Please be environmentally responsible and dispose through the original supplier, or contact Tait International Limited.

Tait will comply with environmental requirements in other markets as they are introduced.

Safety and compliance information



This radio is designed to comply with applicable regulations. Unauthorized access and repair of this product will void the warranty. Any modifications or changes made to the radio that are not expressly approved by Tait International Ltd could invalidate compliance requirements and void the user's authority to operate the radio.

Servicing must be performed by an authorized service provider. Contact your Tait representative for a list of authorized service providers.

Listening at a safe level



Listening at high volumes can cause hearing damage. Always reduce the volume to a comfortable listening level.

Interference with electronic devices



Warning Some electronic devices may be prone to malfunction due to a lack of protection from the RF energy that is present when your radio is transmitting.

Examples of electronic devices that may be affected by RF energy are:

- aircraft electronic systems
- vehicular electronic systems such as fuel injection, anti-skid brakes, and cruise control
- medical devices such as pacemakers and hearing aids
- medical equipment in hospitals or health care facilities.

Switch off the radio before boarding an aircraft. Using your radio while in the air is not permitted.

Consult the manufacturer (or its representative) of any such electronic devices to determine whether electronic circuits in those devices will perform normally when the radio is transmitting.

Warning If you have a pacemaker:



- immediately turn off the radio if you suspect it is interfering with the pacemaker
- keep the radio at least 6 inches (15cm) from the pacemaker while the radio is on
- use the radio on the side opposite to the pacemaker to minimize interference
- never carry the radio in a breast pocket

If there is interference between your hearing aid and the radio, please discuss an alternative solution with the hearing aid manufacturer.

Radio frequency exposure information



This radio emits radio frequency (RF) energy (radio waves) primarily when calls are made. RF is a form of electromagnetic energy (like sunlight), and maximum levels of exposure to RF are regulated to ensure your safety and the safety of those around you.

To comply with RF exposure regulations, please read the following information before using this radio.

Controlling exposure to RF energy

SAR tests are conducted using standard operating positions with the device transmitting at its highest certified power level in all tested frequency band. Although the SAR is determined at the highest certified power level, the actual SAR level of the device while operating can be well below the maximum value.

Before a new model device is available for sale to the public, it must be tested and certified to the FCC that it does not exceed the exposure limit established by the FCC. Tests for each device are performed in positions and locations as required by the FCC.

For face-up, 10mm was used for test, this equipment should be installed and operated with minimum distance 10mm.

Non-compliance with the above restrictions may result in violation of RF exposure guidelines.



Warning Only use Tait approved accessories. Unapproved accessories could increase the SAR values.

Compliance with RF energy exposure standards

This device is in compliance with SAR according to ANSI/IEEE C95.1-1992, Canada RSS 102, 2013/35/EU and others.

This device was tested in accordance with the measurement methods and procedures specified in IEEE1528, Canada RSS 102, ICNIRP and EN 62479, EN 50566, EN 50663.

This device is designed to not exceed the limits for exposure to radio waves (radio frequency electromagnetic fields) and complies with:

- a. EN 62479:2010, EN 50566:2017, EN 50663:2017.
The EN 62479:2010 SAR limit for general population devices is 2.0 W/kg averaged over 10 grams of tissue.
- b. Industry Canada license-exempt RSS standard(s), RSS-102.
The SAR limit set by the Industry Canada is 1.6 W/kg.
- c. Federal Communication Commission of the United States.
The SAR limit set by the FCC is 1.6 W/kg.



Warning Changes or modifications not expressly approved by the party responsible for compliance could void the user's authority to operate the equipment. The antenna (s) used for this transmitter must not be co-located or operating in conjunction with any other antenna or transmitter not approved by Tait.

IC radiation exposure statement

The device has been tested and complies with SAR limits, users can obtain Canadian information on RF exposure and compliance at <https://www.ic.gc.ca/>.

Radio frequency emissions limits in the USA

This device complies with part 15 of the FCC Rules. Operation is subject to the following two conditions:

- (1) This device may not cause harmful interference, and
- (2) this device must accept any interference received, including interference that may cause undesired operation.

This equipment has been tested and found to comply with the limits for a Class B digital device, pursuant to part 15 of the FCC Rules. These limits are designed to provide reasonable protection against harmful interference in a residential installation. This equipment generates, uses and can radiate radio frequency energy and, if not installed and used in accordance with the instructions, may cause harmful interference to radio communications. However, there is no guarantee that interference will not occur in a particular installation. If this equipment does cause harmful interference to radio or television reception, which can be determined by turning the equipment off and on, the user is encouraged to try to correct the interference by one or more of the following measures:

- Reorient or relocate the receiving antenna.
- Increase the separation between the equipment and receiver.
- Connect the equipment into an outlet on a circuit different from that to which the receiver is connected.
- Consult the dealer or an experienced radio/TV technician for help.

Radio frequency emissions limits in Canada

This device complies with Innovation, Science and Economic Development Canada licence-exempt RSS standard (s).

Operation is subject to the following two conditions:

- (1) This device may not cause interference, and
- (2) this device must accept any interference, including interference that may cause undesired operation of the device.

This Class B digital apparatus complies with Canadian ICES-003.

Operation of 5150-5350MHz is restricted to indoor use only.

EMC regulatory compliance in Australia and New Zealand



This product meets all ACMA and MBIE regulatory requirements for electromagnetic compatibility (EMC). For more information about EMC compliance, visit the ACMA website at www.acma.gov.au and the MBIE website at www.mbie.co.nz.

Europe and the UK

Intended purpose of product

This product is a broadband communication device. It is intended for radiocommunication services, to be used in the UK, in all member states of the European Union (EU), and states within the European Economic Area (EEA).

Coordonnées de Tait

Tait Communications

Siège social

Tait International Limited
P.O. Box 1645
Christchurch
Nouvelle-Zélande

Importé dans l'UE par : Importé dans le Royaume-Uni par :
Tait Europe Limited

Tait Communications GmbH
Stipcakgasse 40
1230 Vienne
Autriche

Unit A, Buckingham Business Park,
Anderson Road
Swavesey
Cambridge, CB24 4UQ
Royaume-Uni

Pour les adresses et numéros de téléphone des branches régionales, veuillez consulter notre site Internet: www.taitradio.com

A propos de ce manuel

Avant d'utiliser une radio, veuillez lire ci-dessous les informations importantes au sujet de la sécurité et la conformité.

Pour des informations concernant le fonctionnement de votre radio, consultez le manuel de l'utilisateur ou contactez votre fournisseur de radio.

Copyright et marques déposées

Toutes les informations contenues dans ce document sont la propriété de Tait International Limited. Tous droits réservés. Il est interdit de copier, photocopier, reproduire, traduire, enregistrer ce manuel en tout ou en partie et de le réduire entièrement ou partiellement à un support électronique ou à une forme lisible par les ordinateurs sans l'autorisation écrite préalable de Tait International Limited.

Le mot TAIT et le logo TAIT sont des marques déposées de Tait International Limited.

Tous les noms de marque mentionnés correspondent aux marques de service, marques commerciales ou marques déposées des fabricants respectifs.

En utilisant un produit Tait, vous acceptez d'être lié par les termes du contrat de licence de logiciel Tait. Veuillez lire attentivement le contrat de licence de logiciel Tait avant d'utiliser ce produit Tait. Si vous n'acceptez pas les termes du contrat de licence de logiciel Tait, n'utilisez pas le produit Tait. Le contrat complet est disponible à l'adresse suivante : www.taitradio.com/our-resources/legal#Tait_Software_Licence_Agreement

Pour toute demande de renseignements concernant ce document, ou pour tout commentaire, suggestion et notification d'erreurs, veuillez contacter votre bureau régional Tait.

Droits de propriété intellectuelle

Ce produit peut être protégé par un ou plusieurs brevets ou dessins de Tait International Limited, ainsi que par leurs équivalents internationaux, les demandes de brevet ou de dessin en cours, et les marques déposées, pour une liste complète veuillez consulter www.taitradio.com/patent

La technologie de codage vocal AMBE+2™ intégrée dans ce produit est protégée par des droits de propriété intellectuelle et notamment les droits de brevet, copyrights et secrets industriels de la société Digital Voice Systems, Inc. Cette technologie de codage vocal est

céder sous licence uniquement pour être utilisé sur cet équipement de communication. Il est strictement interdit et l'utilisateur de cette technologie s'engage à respecter cette interdiction, d'essayer de décompiler, faire de l'ingénierie inverse ou désassembler le code exécutable, ou de convertir de quelque façon que ce soit le code exécutable en une forme déchiffrable.

Responsabilités en matière d'environnement

Tait International Limited est une société respectueuse de l'environnement qui apporte son soutien à la minimisation des déchets et à la récupération des matériaux.

Selon la Directive de l'Union européenne relative à l'élimination des déchets d'équipements et le Règlement de 2013 sur les déchets d'équipements électriques et électroniques n° 3113, ce produit doit être éliminé séparément et ne doit pas être jeté avec les ordures ménagères lorsqu'il arrive en fin de vie. Pour plus d'informations sur la procédure à respecter pour éliminer le produit Tait en fin de vie, rendez-vous sur le site Internet de Tait www.taitradio.com/our-resources/compliance#WEEE. Veuillez respecter l'environnement et éliminez ce produit par l'intermédiaire de votre fournisseur ou contactez Tait International Limited.

Nous respectons également les exigences liées à l'environnement sur les différents marchés, sur lesquels nous lançons nos produits.

Informations sur la conformité et consignes de sécurité



Cette radio est conçue pour être conforme aux réglementations en vigueur. L'accès et la réparation non autorisés de ce produit annuleront la garantie. Toute modification ou tout changement apporté à la radio qui n'est pas expressément approuvé par Tait International Ltd peut invalider les exigences de conformité et annuler l'autorité de l'utilisateur à utiliser la radio.

L'entretien doit être effectué par un prestataire de services agréé. Contactez votre représentant Tait pour obtenir la liste des prestataires de services agréés.

Ecoute à niveau sonore sans danger



Une écoute à haut volume peut provoquer une perte d'audition et/ou des dommages irréversibles de l'ouïe. Réglez le volume à un niveau sonore confortable.

Interférence avec les appareils électroniques



Warning Certains appareils électroniques risquent de ne pas fonctionner correctement s'ils ne sont pas protégés contre l'énergie RF présente lorsque votre radio émet.

Les appareils qui peuvent être sensibles aux fréquences radioélectriques sont notamment :

- les systèmes électroniques aéronautiques
- les systèmes électroniques installés sur les véhicules, tels que le système d'injection, les systèmes ABS et les régulateurs de vitesse automatiques
- les appareils médicaux tels que les pacemakers et les aides ou prothèses auditives
- les équipements médicaux dans les hôpitaux ou les centres de soins.

Eteignez la radio avant d'embarquer dans un avion. L'utilisation de la radio pendant le vol est interdite.

Contactez le fabricant (ou un représentant) d'un de ces équipements électroniques pour savoir si ses circuits électroniques fonctionneront normalement lorsque la radio est utilisée pour émettre.

Warning Si vous avez un pacemaker :



- éteignez immédiatement la radio si vous suspectez qu'elle interfère avec le pacemaker
- gardez la radio à 15cm (6 pouces), au moins, du pacemaker tant que la radio est allumée
- utilisez la radio sur le côté opposé au pacemaker pour minimiser les interférences
- ne portez pas la radio dans une poche de poitrine.

Si vous remarquez des interférences entre votre prothèse auditive et la radio, veuillez discuter une solution alternative avec le fabricant des prothèses auditives.

Informations concernant l'exposition au rayonnement des fréquences radio



Cette radio émet une énergie de radiofréquence (RF) (ondes radio) principalement lors des appels. Les RF sont une forme d'énergie électromagnétique (comme la lumière du soleil), et les niveaux maximaux d'exposition aux RF sont réglementés pour assurer votre sécurité et celle de votre entourage.

Afin de respecter la réglementation sur l'exposition aux radiofréquences, veuillez lire les informations suivantes avant d'utiliser cette radio.

Contrôle de votre exposition au rayonnement RF

Les essais SAR sont effectués à l'aide de positions d'exploitation normalisées acceptées par la FCC avec l'appareil transmettant à son niveau de puissance certifié le plus élevé dans toutes les bandes de fréquences testées, bien que le SAR soit déterminé au niveau de puissance certifié le plus élevé, le niveau réel de R-S de l'appareil pendant son fonctionnement peut être bien inférieur à la valeur maximale.

Avant qu'un nouveau dispositif de modèle ne soit disponible à la vente au public, il doit être testé et certifié à la FCC qu'il ne dépasse pas la limite d'exposition établie par la FCC, les tests pour chaque appareil sont effectués dans des positions et des emplacements (portés sur le corps) comme l'exige la FCC. Pour le face-vers le haut, 10mm a été utilisé pour l'essai, cet équipement doit être installé et actionné avec une distance minimale de 10mm.

Le non-respect des restrictions ci-dessus peut entraîner une violation des lignes directrices sur l'exposition aux RF.



Warning N'utilisez que des accessoires approuvés par Tait. Les accessoires non approuvés peuvent augmenter les valeurs DAS.

Conformité aux normes d'exposition à l'énergie RF

Cet appareil se conforme au DAS selon ANSI/IEEE C95.1-1992, Canada RSS 102, 2013/35/UE et d'autres.

Cet appareil a été testé conformément aux méthodes et procédures de mesure spécifiées dans IEEE1528, Canada RSS 102, ICNIRP et EN 62479, EN 50566, EN 50663.

Cet appareil est conçu pour ne pas dépasser les limites d'exposition aux ondes radio (champs électromagnétiques de fréquence radio) et est conforme à la norme suivante :

- a. EN 62479:2010, EN 50566:2017, EN 50663:2017.

La limite de DAS de la norme EN 62479:2010 pour les appareils destinés à la population générale est de 2.0 W/kg en moyenne sur 10 grammes de tissu.

- b. Norme(s) RSS exempte(s) de licence d'Industrie Canada, RSS-102.

La limite DAS fixée par Industrie Canada est 1.60W/kg.

- c. Commission fédérale des communications des États-Unis (FCC)

La limite DAS fixée par la FCC est 1.60W/kg.



Warning Les changements ou modifications qui ne sont pas expressément approuvés par la partie responsable de la conformité peuvent annuler l'autorité de l'utilisateur à utiliser l'équipement. L'antenne (ou les antennes) utilisée(s) pour cet émetteur ne doit (doivent) pas être co-localisée(s) ou fonctionner en conjonction avec une autre antenne ou un autre émetteur non approuvé par Tait.

Déclaration d'exposition aux rayonnements IC

L'appareil a été testé et est conforme aux limites SAR, les utilisateurs peuvent obtenir des informations canadiennes sur Exposition RF et conformité

Limitation des émissions de fréquences radio aux Etats-Unis

Cet équipement a été testé et déclaré conforme aux limites d'un appareil numérique de classe B, conformément à la partie 15 des règles de la FCC. Ces limites sont conçues pour fournir une protection raisonnable contre les interférences nuisibles dans une installation résidentielle. Cet équipement génère, utilise et peut émettre de l'énergie de fréquence radio et, s'il n'est pas installé et utilisé conformément aux instructions, peut causer des interférences nuisibles aux communications radio. Cependant, il n'y a aucune garantie que des interférences ne se produiront pas dans une installation particulière. Si cet équipement cause des interférences nuisibles à la réception radio ou télévision, ce qui peut être déterminé en éteignant et en rallumant l'équipement, l'utilisateur est encouragé à essayer de corriger l'interférence par une ou plusieurs des mesures suivantes :

- Réorientez ou déplacez l'antenne de réception.
- Augmenter la distance entre l'équipement et le récepteur.
- Connectez l'équipement à une prise sur un circuit différent de celui auquel le récepteur est connecté.
- Consultez le revendeur ou un technicien radio/TV expérimenté pour obtenir de l'aide.

Limitation des émissions de fréquences radio au Canada

Le présent appareil est conforme aux CNR d'Industrie Canada applicables aux appareils radio exempts de licence. L'exploitation est autorisée aux deux conditions suivantes: (1) l'appareil ne doit pas produire de brouillage, et (2) l'utilisateur de l'appareil doit accepter tout brouillage radioélectrique subi, même si le brouillage est susceptible d'en compromettre le fonctionnement.

5150-5350MHz est uniquement pour une utilisation en intérieur.

L'Europe et le Royaume-Uni

Usage prévu du produit

Ce produit est un appareil de communication à large bande. Il est destiné aux services de radiocommunication et doit être utilisé au Royaume-Uni, dans tous les États membres de l'Union européenne (UE) et dans les États de l'Espace économique européen (EEE).

Kontaktadresse

Tait Communications Unternehmenszentrale

Tait International Limited
P.O. Box 1645
Christchurch
Neuseeland

In die EU eingeführt durch:	In das UK eingeführt durch:
Tait Communications GmbH	Tait Europe Limited
Stipcakgasse 40	Unit A, Buckingham Business Park,
1230 Wien	Anderson Road
Österreich	Swavesey
	Cambridge, CB24 4UQ
	United Kingdom

Die Adressen und Telefonnummern unserer Zweigniederlassungen finden Sie auf unserer Webseite: www.taitradio.com

Informationen zu diesem Dokument

Lesen Sie bitte die folgenden Sicherheitshinweise und Informationen zu technischen Vorschriften, bevor Sie das eigensichere Funkgerät verwenden.

Informationen über die Bedienung des Funkgeräts erhalten Sie im Benutzerhandbuch und bei Ihrem Funkgeräthändler.

Urheberrecht und Warenzeichen

Alle in diesem Dokument enthaltenen Informationen sind Eigentum von Tait International Limited. Alle Rechte vorbehalten. Dieses Dokument darf nicht, auch nicht auszugsweise, ohne die vorherige schriftliche Genehmigung von Tait International Limited vervielfältigt, fotokopiert, reproduziert, übersetzt, gespeichert oder in ein elektronisches Medium oder maschinenlesbares Format überführt werden.

Das Wort TAIT und das TAIT-Logo sind Warenzeichen von Tait International Limited.

Alle erwähnten Handelsnamen sind Warenzeichen oder registrierte Warenzeichen der entsprechenden Hersteller.

Durch die Verwendung eines Tait Produkts erklären Sie sich mit den Bedingungen des Tait Softwarelizenzvertrags einverstanden. Lesen Sie diesen bitte vor der Verwendung dieses Tait Produkts sorgfältig. Wenn Sie mit den Bedingungen des Tait Softwarelizenzvertrags nicht einverstanden sind, dürfen Sie das Tait Produkt nicht verwenden.

Der vollständige Vertrag ist unter www.taitradio.com/our-resources/legal#Tait_Software_Licence_Agreement

Wenn Sie Fragen zu diesem Dokument haben oder Kommentare, Vorschläge und Fehlerhinweise abgeben möchten, wenden Sie sich bitte an Ihre regionale Tait Geschäftsstelle.

Geistige Eigentumsrechte

Dieses Produkt ist möglicherweise durch ein oder mehrere Patente oder Geschmacksmuster von Tait International Limited zusammen mit ihren internationalen Äquivalenten, anhängigen Patent- oder Geschmacksmusteranmeldungen und eingetragenen Marken geschützt. Eine vollständige Liste finden Sie unter www.taitradio.com/patent

Die in diesem Produkt verwendete AMBE+2™-Sprachkodierungstechnologie ist durch geistige Eigentumsrechte einschließlich Patentrechte, Urheberrechte und Industriegeheimnisse von Digital Voice Systems, Inc geschützt. Diese

Sprachkodierungstechnologie ist ausschließlich für die Verwendung in diesem Kommunikationsgerät lizenziert. Dem Benutzer dieser Technologie ist jeglicher Versuch der Dekompilierung, der Rekonstruktion (Reverse Engineering) oder die Disassemblierung des Objektcodes sowie jegliche Art der Konvertierung der Objektcodes in maschinenlesbares Format untersagt.

Umweltschutz

Tait International Limited ist ein umweltbewusstes Unternehmen und unterstützt die Maßnahmen zur Abfallvermeidung und Materialrückgewinnung und Beschränkungen für den Einsatz von Gefahrstoffen.

Die Richtlinie über Elektro- und Elektronik-Altgeräte der Europäischen Union fordert sowie die WEEE-Richtlinie 2013/3113 des Vereinigten Königreichs schreiben vor, dass dieses Produkt nach Ablauf seiner Lebensdauer getrennt vom unsortierten Restmüll entsorgt wird. Weitere Informationen über die Entsorgung von Tait Produkten finden Sie auf der Tait WEEE-Website unter www.taitradio.com/our-resources/compliance#WEEE. Bitte verhalten Sie sich umweltbewusst und entsorgen Sie dieses Produkt durch den ursprünglichen Lieferanten oder wenden Sie sich an Tait International Limited.

Wir werden außerdem zukünftig in anderen Ländern eingeführte Umweltauflagen erfüllen.

Sicherheitshinweise und Informationen zur Einhaltung von Richtlinien und gesetzlichen Vorschriften



Dieses Funkgerät ist so konzipiert, dass es den geltenden Vorschriften entspricht. Bei unbefugter Öffnung und unbefugten Reparaturen an diesem Produkt erlischt die Gewährleistung. Jegliche Modifikationen oder Änderungen am Funkgerät, die nicht ausdrücklich von Tait International Ltd. genehmigt wurden, können dazu führen, dass die Konformitätsanforderungen nicht mehr erfüllt werden und die Berechtigung des Benutzers zum Betrieb des Funkgeräts erlischt.

Wartungsmaßnahmen müssen von einem autorisierten Serviceanbieter durchgeführt werden. Wenden Sie sich an Ihren Tait Vertreter, um eine Liste der autorisierten Serviceanbieter zu erhalten.

Gefahrloses Zuhören



Das Zuhören bei erhöhter Lautstärke kann das Hörorgan schädigen. Die Lautstärke immer auf einen angenehmen Pegel zurückschalten.

Störungen in elektronischen Geräten



Warning Einige elektronische Geräte sind unter Umständen unzureichend gegen die Hochfrequenzenergie geschützt, die das Funkgerät während des Sendens abstrahlt, und deshalb störungsanfällig.

Beispiele von elektronischen Geräten, die ggf. von Hochfrequenzenergie betroffen sind, sind:

- Elektroniksysteme in Flugzeugen
- Fahrzeugelektronik, z. B. Kraftstoffeinspritzung, ABS und Tempomat
- Medizinische Geräte, z. B. Herzschrittmacher und Hörgeräte
- Medizinische Ausrüstung in Krankenhäusern und Pflegeeinrichtungen.

Schalten Sie das Funkgerät aus, bevor Sie in ein Flugzeug einsteigen. Die Verwendung des Funkgeräts während des Flugs ist untersagt.

Wenden Sie sich an den Hersteller dieser elektronischen Geräte oder dessen Vertreter, um festzustellen, ob die betreffenden elektronischen Geräte während des Sendebetriebs des Funkgeräts ordnungsgemäß funktionieren.

Warning Wenn Sie einen Herzschrittmacher haben



- schalten Sie das Funkgerät sofort aus, wenn Sie vermuten, dass es Störungen mit dem Herzschrittmacher verursacht
- halten Sie einen Mindestabstand von 15cm zum Herzschrittmacher ein, wenn das Funkgerät eingeschaltet ist
- verwenden Sie das Funkgerät auf der dem Herzschrittmacher entgegengesetzten Körperseite, um das Risiko von Störungen zu vermindern
- transportieren Sie das Funkgerät niemals in der Brusttasche



Warning Im Fall von Störungen zwischen Ihrem Hörgerät und dem Funkgerät wenden Sie sich bitte an den Hörgerätehersteller, um eine alternative Lösung zu finden.

Informationen zur elektromagnetischen Verträglichkeit



Dieses Funkgerät sendet Hochfrequenzenergie (Funkwellen) allem beim Tätigen von Anrufen aus. HF ist eine Form elektromagnetischer Energie (wie Sonnenlicht), und die Höchstwerte für die HF-Exposition sind festgelegt, um Ihre Sicherheit und die Sicherheit der Menschen in Ihrer Umgebung zu gewährleisten.

Vor dem Verwenden dieses Funkgerät bitte die folgenden Informationen lesen, um die Vorschriften zur HF-Exposition einzuhalten.

Kontrollieren der Hochfrequenzexposition

SAR-Tests werden in Standard-Bedienpositionen durchgeführt vom Sender auf seiner höchsten zugelassenen Leistungsstufe akzeptiert alle getesteten Frequenzbänder, obwohl die SAR bei ermittelt wird die höchste zertifizierte Leistungsstufe, kann die tatsächliche SAR-Stufe des Geräts während des Betriebs deutlich unter dem Maximalwert liegen. Bevor ein neues Gerätemodell für die Öffentlichkeit zum Verkauf angeboten wird, muss es getestet und der FCC bescheinigt werden, dass es die von der FCC festgelegten Expositionsgrenzwerte nicht überschreitet. Tests für jedes Gerät sind an Positionen und Orten durchgeführt (am Körper getragen), wie von der FCC gefordert. Für den Test mit der Vorderseite nach oben wurde mm verwendet. Dieses Gerät sollte mit einem Mindestabstand von 10 mm installiert und betrieben werden.

Die Nichteinhaltung der oben genannten Einschränkungen kann zu einer Verletzung der Richtlinien zur HF-Exposition führen.



Warning Verwenden Sie nur von Tait zugelassenes Zubehör. Nicht zugelassenes Zubehör kann die SAR-Werte erhöhen.

Einhaltung der Normen zur Exposition durch Hoch-frequenzstrahlung

Dieses Gerät entspricht SAR-Grenzwerten gemäß ANSI/IEEE C95.1-1992, Canada RSS 102, 2013/35/EU und anderen Richtlinien.

Dieses Gerät wurde in Übereinstimmung mit den in IEEE1528, Canada RSS 102, ICNIRP und EN 62479, EN 50566, EN 50663 angegebenen Messmethoden und -verfahren getestet.

Dieses Gerät ist so konstruiert, dass es die Grenzwerte für die Exposition gegenüber Funkwellen (hochfrequente elektromagnetische Felder) nicht überschreitet und den folgenden Anforderungen entspricht:

- a. EN 62479:2010, EN 50566:2017, EN 50663:2017.

Der SAR-Grenzwert gemäß EN 62479:2010 für Geräte, die für die allgemeine Bevölkerung bestimmt sind, beträgt 2.0 W/kg, gemittelt über 10 Gramm Gewebe.

- b. Lizenzfreie RSS-Norm(en) von Industry Canada, RSS-102

Der von Industry Canada festgelegte SAR-Grenzwert beträgt 1.60W/kg.

- c. Federal Communication Commission der USA

Der durch die FCC festgelegte SAR-Grenzwert beträgt 1.60 W/kg.



Warning Nicht ausdrücklich von der zuständigen Stelle genehmigte Änderungen oder Modifikationen können das Erlöschen der Betriebserlaubnis zur Folge haben. Die für diesen Sender verwendeten Antennen dürfen nicht zusammen mit einer anderen Antenne oder einem anderen Sender aufgestellt oder betrieben werden, wenn diese nicht von Tait zugelassen sind.

Erklärung zur IC-Strahlenbelastung

Das Gerät wurde getestet und hält die SAR-Grenzwerte ein, über die Benutzer kanadische Informationen erhalten können HF-Exposition und Compliance

Europa und Vereinigtes Königreich

Bestimmungsgemäßer Gebrauch des Produkts

Dieses Produkt ist ein Breitbandkommunikationsgerät. Es ist für Funkdienste bestimmt, die im Vereinigten Königreich, in allen Mitgliedstaaten der Europäischen Union (EU) und in den Staaten des Europäischen Wirtschaftsraums (EWR) genutzt werden.

Para contactarnos

Oficina corporativa de Tait Communications

Tait International Limited
P.O. Box 1645
Christchurch
Nueva Zelanda

Importado a la Unión Europea (UE) por:
Tait Communications GmbH
Stüpcakgasse 40
1230 Viena
Austria

Importado al Reino Unido (RU) por:
Tait Europe Limited
Unit A, Buckingham Business Park,
Anderson Road
Swavesey
Cambridge, CB24 4UQ
Reino Unido

Si desea obtener una lista de direcciones y números de teléfono de las oficinas regionales, visite nuestra página web: www.taitradio.com.

Acerca de este manual

Antes de utilizar su radio, lea la información importante sobre medidas de seguridad y cumplimiento de normativas del producto descrita a continuación.

Para detalles sobre la operación y funcionamiento del radio, consulte la Guía del Usuario o contacte a su proveedor.

Derechos de autor y marcas registradas

Toda la información contenida en este manual es propiedad de Tait International Limited. Todos los derechos están reservados. Se prohíbe, en parte o del manual completo, la copia, el fotocopiado, la reproducción, la traducción, el almacenamiento en un formato electrónico o cualquier otra cosa que pueda ser leída por máquina sin el consentimiento previo y por escrito de Tait International Limited. La palabra TAIT y el logo de TAIT son marcas registradas de Tait International Limited.

Todos los nombres comerciales mencionados constituyen la marca de servicio, marca comercial o marca registrada de los respectivos fabricantes.

Al utilizar un producto de Tait acepta los términos del Contrato de licencia de software de Tait. Por favor lea el Contrato de licencia de software de Tait con cuidado antes de utilizar este producto de Tait. Si no acepta los términos del Contrato de licencia de software de Tait, no utilice el producto de Tait. El acuerdo completo está disponible en

www.taitradio.com/our-resources/legal#Tait_Software_Licence_Agreement

Todos los nombres comerciales mencionados constituyen la marca de servicio, marca comercial o marca registrada de los respectivos fabricantes.

Derechos de propiedad intelectual

Este producto puede estar protegido por una o varias patentes o diseños de Tait International Limited junto con sus equivalentes internacionales, solicitudes de patentes o diseños pendientes y marcas registradas; consulte la lista completa en

www.taitradio.com/patent

La tecnología de codificación de voz AMBE+2™ incorporada en este producto está protegida por los derechos de propiedad intelectual que incluyen los derechos de patentes, derechos de autor y

secretos comerciales de Digital Voice Systems, Inc. Esta tecnología de codificación de voz está licenciada exclusivamente para ser utilizada en este equipo de comunicaciones. Al usuario de esta tecnología se le prohíbe intentar copiar componentes individualmente o completos, o desmontar el código del objeto, o que de ninguna otra manera convierta el código del objeto en un formato legible por el ser humano.

Responsabilidades medioambientales

Tait International Limited es una empresa que se preocupa por el medio ambiente, minimiza los desechos, recicla materiales y tiene restricciones en el uso de materiales peligrosos.

La Directiva WEEE (Eliminación de Equipo Eléctrico y Electrónico) de la Unión Europea y la normativa sobre Eliminación de Equipo Eléctrico y Electrónico 2013 No. 3113 obliga a que se tire el producto al final de su vida útil por separado del resto de los residuos. Para más información acerca de cómo desechar su producto de Tait, visite la página web Tait WEEE en www.taitradio.com/our-resources/compliance#WEEE. Rogamos que se responsabilice por el medio ambiente y, cuando llegue el momento de tirar el producto, se ponga en contacto con el distribuidor original o con Tait International Limited.

Cumpliremos con los requisitos medioambientales de otros mercados a medida que vayan siendo introducidos.

Información sobre medidas de seguridad y conformidad



Esta radio ha sido diseñada para cumplir con la normativa aplicable. El acceso y reparación no autorizada del presente producto anulará la garantía. Toda modificación o cambios realizados a la radio expresamente no autorizados por Tait International Ltd pueden invalidar los requisitos de conformidad y el usuario no tenga autorización para operar la radio.

La reparación deberá ser realizada por un proveedor de servicio autorizado. Comuníquese con su representante de Tait para obtener una lista de proveedores de servicio autorizados.

Escuchando en un nivel seguro



Los volúmenes muy altos pueden causar daños a su audición. Siempre reduzca el volumen a un nivel de audición cómodo.

Interferencia con dispositivos electrónicos



Warning Algunos dispositivos electrónicos pueden funcionar mal si no están protegidos de la energía RF emitida por el aparato de radio durante la transmisión.

Entre algunos ejemplos de dispositivos electrónicos que pueden ser afectados por la energía RF destacan:

- los sistemas electrónicos de la aeronave o avión
- los sistemas electrónicos del vehículo, tales como los sistemas de inyección de combustible, los sistemas de los frenos antiderrapantes, y el sistema de control de velocidad.
- los dispositivos médicos tales como los marcapasos y los audífonos.
- los equipos médicos de hospitales o centros de salud.

Apague el radio antes de subir a bordo del avión. No está permitido usar el radio durante el vuelo.

Consulte al fabricante (o al representante) de tales dispositivos electrónicos para determinar si los circuitos electrónicos de los mismos van a funcionar correctamente cuando el radio esté transmitiendo.

Warning Si lleva marcapasos:



- apague el radio inmediatamente si sospecha que está interfiriendo con el marcapasos.
- mantenga el radio a 15cm como mínimo del marcapasos mientras el radio esté encendido.
- use el radio en el lado opuesto al marcapasos para reducir la interferencia.
- no lleve el radio nunca en un bolsillo que esté cerca del pecho.

Si observa interferencias entre su audífono y el radio, hable con el fabricante del audífono para ver si pueden sugerirle una solución alternativa.

Información sobre riesgo de exposición a frecuencia de radio



Principalmente cuando se hacen llamadas, la radio emite energía (ondas de radio) de radiofrecuencia (RF). RF es una forma electromagnética de energía (como la luz solar), y hay niveles de exposición a RF máximos reglamentados para garantizar su seguridad y la de quienes lo rodean.

Para cumplir con la normativa sobre la exposición a RF, lea la siguiente información antes de utilizar este radio.

Control de la exposición a la energía de radiofrecuencia

Las pruebas de SAR se realizan en posiciones de funcionamiento estándar aceptado por la transmisión a su nivel de potencia más alto certificado en todas las bandas de frecuencia probadas, aunque el SAR se determina en el nivel de potencia certificado más alto, el nivel SAR real del dispositivo mientras está en funcionamiento puede estar muy por debajo del valor máximo.

Antes de que un nuevo modelo de dispositivo esté disponible para la venta al público, debe ser probado y certificado por la FCC de que no excede el límite de exposición establecido por la FCC. Las pruebas para cada dispositivo son realizado en posiciones y ubicaciones (usado en el cuerpo) según lo requiera la FCC.

Para boca arriba, se utilizó mm para la prueba, este equipo debe instalarse y operarse con una distancia mínima de 10 mm.

El incumplimiento de las restricciones anteriores puede resultar en la violación de las pautas de exposición a RF.



Warning Utilice exclusivamente accesorios Tait aprobados. Los accesorios no aprobados pueden incrementar los valores SAR.

Conformidad con la normativa de exposición a energía RF

El presente dispositivo cumple con SAR de acuerdo con la normativa ANSI/IEEE C95.1-1992, RSS 102 de Canadá, 2013/35/EU y otras.

El presente dispositivo ha sido probado conforme a los métodos de medición y procedimientos especificados en IEEE1528, RSS 102 de Canadá, ICNIRP y EN 62479, EN 50566, EN 50663.

Este dispositivo ha sido diseñado para no exceder los límites de exposición a ondas de radio (campos electromagnéticos de radio frecuencia) y cumple con:

- a. EN 62479:2010, EN 50566:2017, EN 50663:2017.

El límite SAR EN 62479:2010 para dispositivos para la población general es de 2.0 W/kg promediado en 10 gramos de tejido.

- b. Estándares RSS exentos de licencia de Industry Canada, RSS-102.

El límite SAR especificado por Industry Canada es de 1.60 W/kg.

- c. Comisión Federal de Comunicaciones de Estados Unidos

El límite SAR especificado por la FCC es de 1.60W/kg.



Warning Los cambios o modificaciones no expresamente aprobados por la parte responsable para el cumplimiento pueden anular la autoridad del usuario para operar el equipo. La antena (o antenas) utilizada para este transmisor no debe estar colocada ni funcionar con cualquier otra antena o transmisor no aprobado por Tait.

Declaración de exposición a la radiación de IC

El dispositivo ha sido probado y cumple con los límites de SAR, los usuarios pueden obtener información canadiense sobre Exposición a RF y cumplimiento

Límites de las emisiones de frecuencia de radio en los Estados Unidos

Este dispositivo cumple con la parte 15 de las normas de la FCC. La operación está sujeta a las siguientes dos condiciones:(1) Este dispositivo no puede causar interferencia dañina y (2) este dispositivo debe aceptar cualquier interferencia recibido, incluidas las interferencias que pueden causar un funcionamiento no deseado.

Este equipo ha sido probado y cumple con los límites para un dispositivo digital de Clase B, de conformidad con parte 15 de las Reglas de la FCC. Estos límites están diseñados para proporcionar una protección razonable contra daños interferencias en una instalación residencial. Este equipo genera, utiliza y puede irradiar energía de radiofrecuencia y, si no se instala y utiliza de acuerdo con las instrucciones, puede causar interferencias dañinas a la radiocomunicaciones Sin embargo, no hay garantía de que no se produzcan interferencias en una instalación en particular. Si este equipo causa interferencia dañina a la recepción de radio o televisión, lo cual puede determinarse apagando y encendiendo el equipo, se recomienda al usuario que intente corregir la interferencia mediante una o más de lassiguientes medidas:

-Reorientar o reubicar la antena receptora.

-Aumente la separación entre el equipo y el receptor.

—Conectar el equipo a una toma de un circuito diferente al que está conectado el receptor.

—Consulte al distribuidor oa un técnico experimentado en radio/TV para obtener ayuda.

Europa y Reino Unido (RU)

Propósito del producto

Este producto consiste en un dispositivo de comunicación de banda ancha. Ha sido diseñado para servicios de comunicación, a utilizarse en el Reino Unido, en todos los estados miembro de la Unión Europea (UE) y estados dentro del Espacio Económico Europeo (EEE).

Informação para contato

Tait Communications

Sede Corporativa

Tait International Limited
P.O. Box 1645
Christchurch
Nova Zelândia

Importado para a União Europeia por:	Importado para o Reino Unido por:
Tait Communications GmbH	Tait Europe Limited
Stipcakgasse 40	Unit A, Buckingham Business Park,
1230 Vienna	Anderson Road
Áustria	Swavesey
	Cambridge, CB24 4UQ
	Reino Unido

Para endereço e telefone dos escritórios regionais consulte o site www.taitradio.com.

Sobre esse livreto

Antes de usar o rádio intencionalmente seguro (IS), por favor leia essas informações importantes sobre segurança e conformidade abaixo.

Para informações a respeito do funcionamento do seu rádio, veja o guia do usuário ou consulte o seu fornecedor.

Direitos autorais e marcas registradas

Todas as informações contidas neste manual são de propriedade da Tait International Limited. Todos os direitos estão reservados. Este manual não pode ser parcial ou totalmente reproduzido, copiado, fotocopiado, traduzido, arquivado ou reduzido para um meio eletrônico ou ainda formato mecânico, sem uma prévia autorização por escrito da Tait International Limited.

A palavra TAIT e o logotipo TAIT são marcas registradas da Tait International Limited.

Todas as marcas referenciadas são marcas de serviço, marcas comerciais ou marcas registradas dos seus respectivos fabricantes.

Ao utilizar um produto Tait você concorda em cumprir os termos do Contrato de Licenciamento de Software Tait. Por favor, leia o Contrato de Licenciamento de Software Tait com atenção antes de utilizar este produto Tait. Caso você não concorde com os termos do Contrato de Licenciamento de Software Tait, não utilize o produto Tait. O contrato integral está disponível em www.taitradio.com/our-resources/legal#Tait_Software_Licence_Agreement

Em caso de dúvidas acerca deste documento, ou comentários quaisquer, sugestões ou notificações de erros; por favor, entre em contato com seu escritório regional Tait.

Direitos sobre propriedade intelectual

Este produto pode ser protegido por uma ou mais patentes ou projetos da Tait International Limited, em conjunto com seus parceiros internacionais, como também por patentes pendentes, aplicações de design e marcas comerciais registradas. Para obter uma lista completa, por favor, verifique: www.taitradio.com/patent

A tecnologia AMBE+2™ de codificação de voz utilizada neste produto é protegida por direitos sobre propriedade intelectual incluindo patentes, direitos de cópia e segredos de indústria da Digital Voice Systems, Inc. A Tecnologia de codificação de voz é licenciada apenas para ser usada em equipamentos de comunicação.

O usuário desta Tecnologia é explicitamente proibido de tentar decompilar, usar engenharia reversa, ou desmontar o Código Fonte, ou de qualquer maneira converter o Código Fonte em formato legível por ser humano.

Responsabilidades ambientais

A Tait International Limited é uma empresa responsável em relação ao meio ambiente, apoiando a redução de geração de lixo, a reciclagem de materiais e restrição do uso de materiais danosos.

A Diretriz de Descarte de Equipamento Eletrônico e Elétrico (WEEE) da União Europeia e o artigo No. 3113 do Regulamento de Descarte de Equipamento Eletrônico e Elétrico de 2013 requer que este produto seja descartado separadamente das vias gerais de coleta quando a sua vida útil tiver terminado. Para maiores informações sobre como descartar o seu produto Tait, visite o website WEEE da Tait em www.taitradio.com/our-resources/compliance#WEEE. Por favor seja responsável com o meio ambiente e descarte por meio do fornecedor original, ou contate a Tait International Limited.

Nós também iremos atender os requerimentos ambientais em outros mercados conforme eles sejam introduzidos.

Informação sobre segurança e regras que devem ser observadas



Este rádio foi projetado para cumprir os regulamentos pertinentes. Abertura e reparo não autorizados deste produto cancelarão a garantia. Quaisquer alterações ou modificações que não sejam expressamente aprovadas pela Tait International Ltd podem invalidar os requisitos de conformidade e sustar a autoridade do usuário para operar o rádio.

Manutenções devem ser executadas por um provedor de serviços autorizado. Entre em contato com seu representante Tait para obter uma lista dos provedores de serviço autorizados.

Ouvindo em um nível seguro



Volumes muito alto podem causar danos à sua audição. Sempre reduza o volume para um nível de audição confortável.

Interferência com equipamentos eletrônicos



Warning Alguns equipamentos eletrônicos podem apresentar mau funcionamento devido à falta de proteção contra energia de RF emitida quando o seu rádio estiver transmitindo.

Alguns exemplos de equipamentos eletrônicos que podem ser afetados por energia de RF são:

- sistemas eletrônicos de aeronaves
- sistemas eletrônicos veiculares como injeção de combustível freios ABS e piloto automático
- equipamentos médicos auxiliares como marca-passos e aparelhos auditivos
- equipamentos médicos em hospitais ou centros de saúde.

Desligue o rádio antes de entrar em uma aeronave. O uso de seu rádio em vôo não é permitido.

Consulte o fabricante (ou representante) de qualquer equipamento eletrônico para determinar se circuitos eletrônicos destes equipamentos podem operar normalmente quando o rádio estiver transmitindo.

Warning Se você possui um marca-passos:



- desligue imediatamente o rádio se suspeitar que ele está interferindo com seu marca-passos
- deixe o rádio à uma distância de 15cm (6 polegadas) do marca-passos enquanto o rádio estiver ligado
- use o rádio no lado oposto do pacemaker para minimizar a interferência
- nunca carregue o rádio no bolso da camisa.

Se houver interferência entre seu aparelho auditivo e o rádio, por favor entre em contato com o fabricante do aparelho auditivo para indicar uma possível solução.

Informação sobre exposição à rádio frequência



Este rádio emite energia (ondas de rádio) de rádio frequência (RF) principalmente quando são feitas chamadas. RF é uma forma de energia eletromagnética (como a luz do sol), e níveis

máximos de exposição são regulamentados para assegurar sua segurança e a segurança daqueles que o cercam.

Para cumprir a regulamentação de exposição a RF, leia as seguintes informações antes de usar este rádio.

Controlando a sua exposição à energia de RF

Os testes de SAR são realizados usando posições operacionais padrão aceito pela transmissão em seu nível de potência certificado mais alto em todas as bandas de frequência testadas, embora o SAR seja determinado em o nível de potência certificado mais alto, o nível real de SAR do dispositivo durante a operação pode ficar bem abaixo do valor máximo. Antes que um novo modelo de dispositivo esteja disponível para venda ao público, ele deve ser testado e certificado pela FCC que não excede o limite de exposição estabelecido pela FCC. Testes para cada dispositivo são realizado em posições e locais (usado no corpo) conforme exigido pela FCC.

Para a face para cima, foi utilizado mm para teste, este equipamento deve ser instalado e operado com distância mínima de 10mm.

A não conformidade com as restrições acima pode resultar na violação das diretrizes de exposição à RF.



Warning Utilize somente acessórios aprovados pela Tait. Acessórios não aprovados poderão aumentar os valores da SAR.

Conformidade com os padrões de exposição a energia de RF

Este dispositivo está em conformidade com o SAR conforme os regulamentos ANSI/IEEE C95.1-1992, Canada RSS 102, 2013/35/EU e outros.

Este dispositivo foi testado de acordo com os métodos de medição e procedimentos especificados nas diretrizes IEEE1528, Canada RSS 102, ICNIRP e EN 62479, EN 50566, EN 50663.

Este dispositivo foi projetado para não exceder os limites de exposição a ondas de rádio (campos eletromagnéticos de rádio frequência) e está em conformidade com:

- a. EN 62479:2010, EN 50566:2017, EN 50663:2017.

O limite SAR EN 62479:2010 em dispositivos para a população em geral é de 2.0 W/kg média sobre 10 gramas de tecido.

- b. Padrões RSS livres de licença da Indústria do Canadá, RSS-102.

O limite SAR definido pela Indústria do Canadá é de 1.60W/kg.

- c. Comissão de Comunicação Federal dos Estados Unidos (FCC)

O limite SAR definido pelo FCC é de 1.60W/kg.



Warning Alterações ou modificações que não sejam expressamente aprovadas pela parte responsável pela adequação poderão sustar a autorização do usuário para operar o equipamento. A antena utilizada para este transmissor não deve ser disposto ou operada em conjunto com qualquer outra antena ou transmissor não aprovados pela Tait.

Declaração de exposição à radiação IC

O dispositivo foi testado e está em conformidade com os limites de SAR, os usuários podem obter informações canadenses sobre Exposição e conformidade de RF

Limites de emissão de rádio frequência nos Estados Unidos

Este dispositivo está em conformidade com a parte 15 das Regras da FCC. A operação está sujeita às duas condições a seguir: (1) Este dispositivo não pode causar interferência prejudicial e (2) este dispositivo deve aceitar qualquer interferência recebida, incluindo interferência que pode causar operação indesejada.

Este equipamento foi testado e está em conformidade com os limites para um dispositivo digital Classe B, de acordo com parte 15 das Regras da FCC. Esses limites são projetados para fornecer proteção razoável contra danos interferência em uma instalação residencial. Este equipamento gera, usa e pode irradiar energia de radiofrequência e, se não for instalado e usado de acordo com as instruções, pode causar interferência prejudicial ao rádio comunicações. No entanto, não há garantia de que não ocorrerá interferência em uma instalação específica. Se este equipamento causa interferência prejudicial à recepção de rádio ou televisão, o que pode ser determinado por desligando e ligando o equipamento, o usuário é encorajado a tentar corrigir a interferência por um ou mais das seguintes medidas:

- Reoriente ou reposicione a antena receptora.
- Aumente a separação entre o equipamento e o receptor.
- Conecte o equipamento a uma tomada de um circuito diferente daquele ao qual o receptor está conectado.
- Consulte o revendedor ou um técnico de rádio/TV experiente para obter ajuda.

Limites de emissão de rádio frequência no Canadá

Este dispositivo está em conformidade com os padrões RSS isentos de licença do Canadá, Inovação, Ciência e Desenvolvimento Econômico. A operação está sujeita às duas condições a seguir: (1) este dispositivo não pode causar interferência e (2) este dispositivo deve aceitar qualquer interferência, incluindo interferência que possa causar operação indesejada do dispositivo.

Europa e Reino Unido

Propósito de uso do produto

Este produto é um dispositivo de comunicação de banda larga. Ele se destina a serviços de telecomunicações, para ser usado no Reino Unido, em todos os estados membros da União Européia (EU), e nos estados dentro da Área Econômica Européia (EEA).