

## 2 T838 Installation

### 2.1 Rack Mounting

The T838 50W PA is designed for use in a standard 483mm rack frame using the supporting guide rails supplied with the units (refer to Figure 2.1).

The lower guide rail is located in the rack frame with three screws, two at the rear and one at the front. The short upper guide rail is located with just one screw. The PA is secured into the guide with two front panel mounting screws.

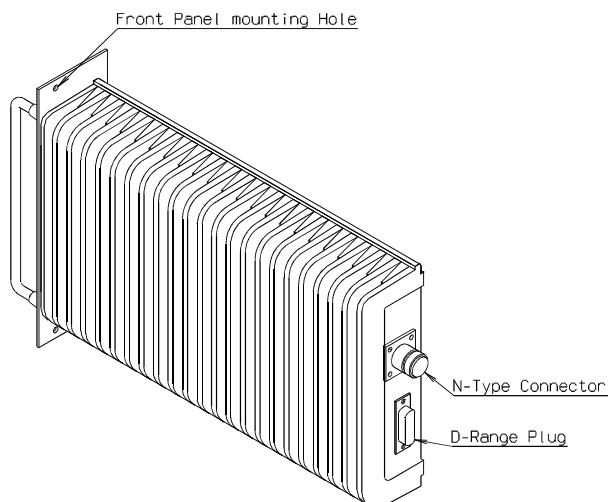
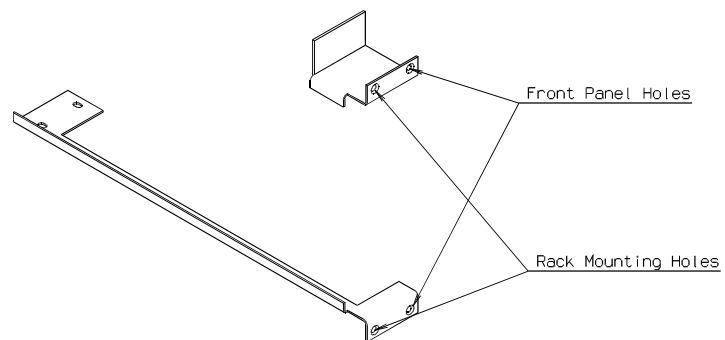
The RF input via the front panel SMC connector should be connected to an adjacent T837 exciter. The RF output is via the rear N-type connector, whilst all DC, audio and control connections are via the D-range connector.

The guide rails will allow the PA to be latched in the extended position (refer to Figure 2.3).

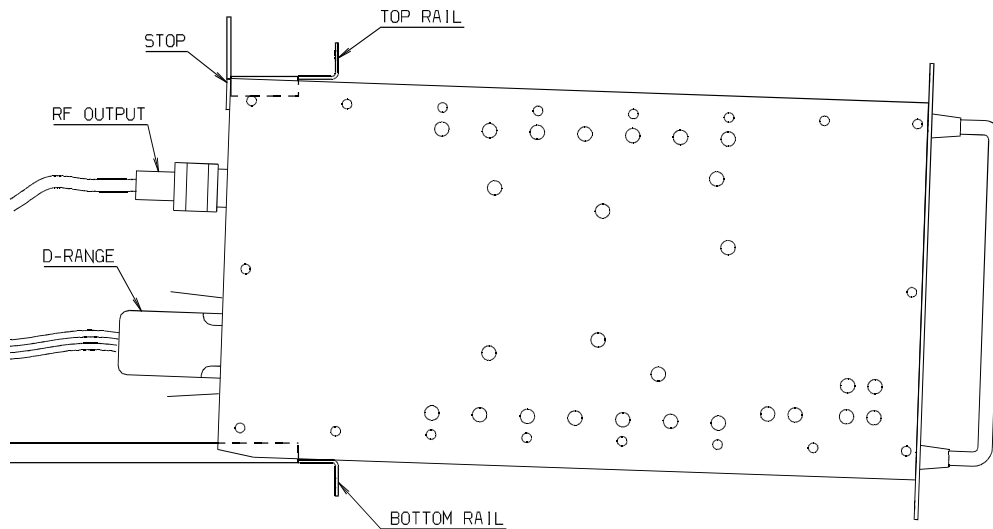


**Caution:** If continuous operation of the T838 is required, the rack module position immediately adjacent to the finned heatsink should be left vacant. Adequate airflow over the fins should be maintained at all times.

Figure 2.1 T838 Guide →



← Figure 2.2 Chassis Connectors

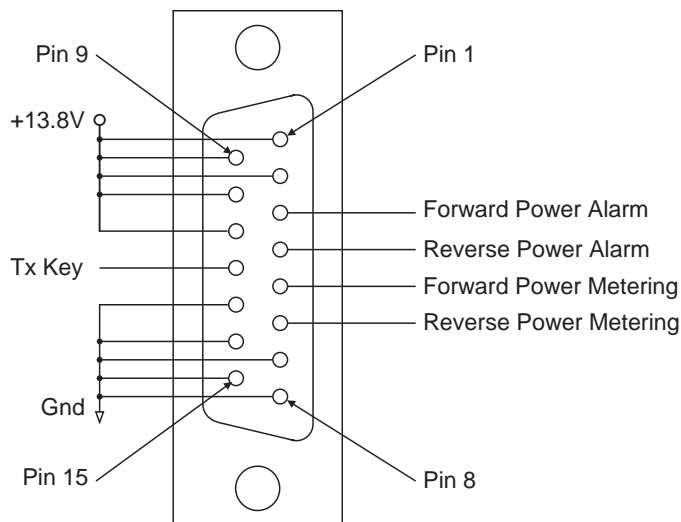


**Figure 2.3 Latched Position**

## 2.2 Rack Wiring

Wire the D-range connector as shown in Figure 2.4. Ensure that the cables are not subjected to any stresses due to tight bends or incorrect lengths.

The RF coaxial cable to the N-type connector should be free from acute bends or twists. If access to the rear of the rack frame is restricted, the cable should be long enough to permit full withdrawal of the chassis from the guide.



**Figure 2.4 D-Range Wiring - Rear View**

## 2.3 Power Supply

If a power supply other than an appropriate Tait model is used, ensure that it is capable of providing enough current to drive the T800 system and is also free from excessive ripple or noise.