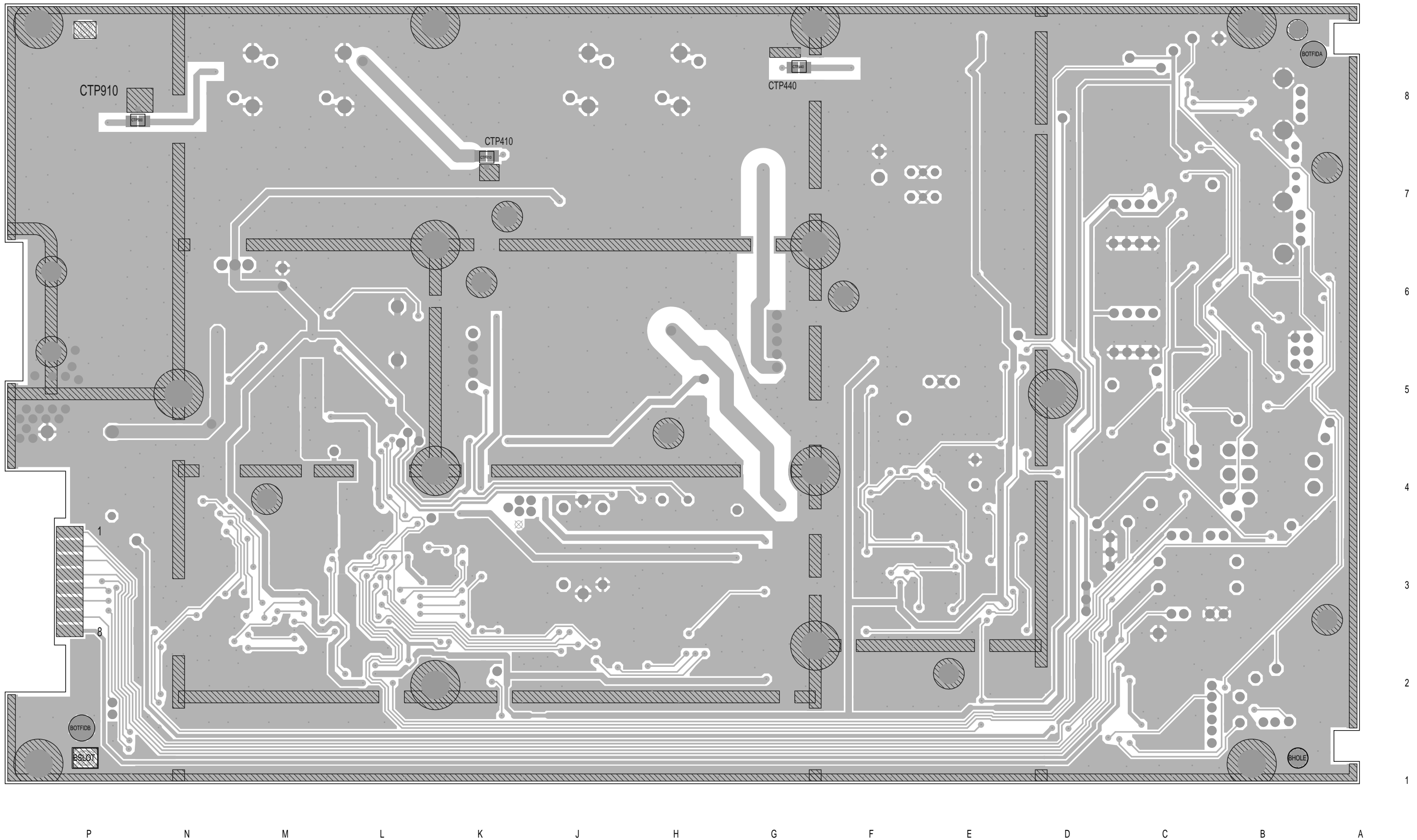
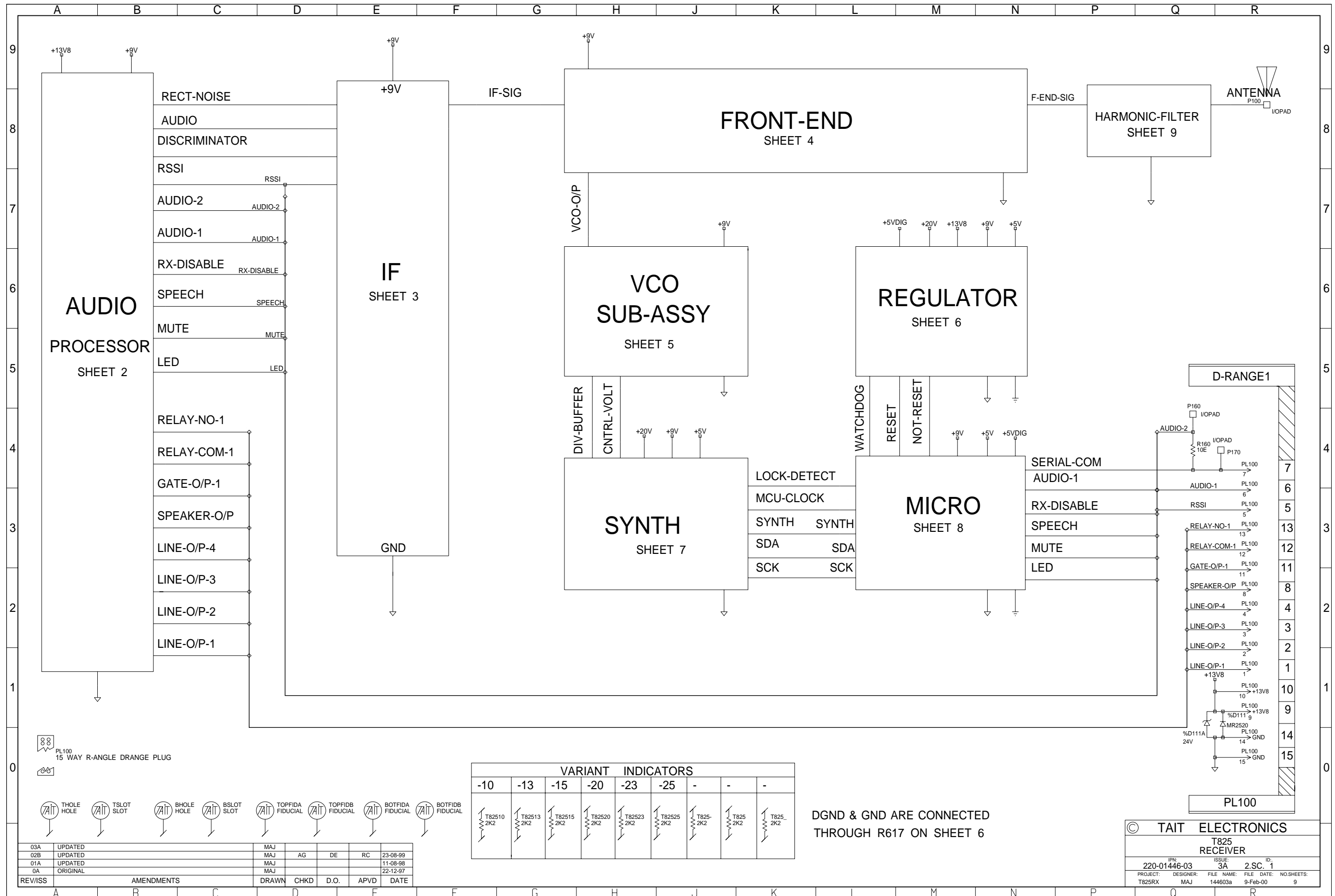


825 RECEIVER 220-01446-03

T825 PCB Layout - Top Side
220-01446-03



T825 PCB Layout - Bottom Side
220-01446-03



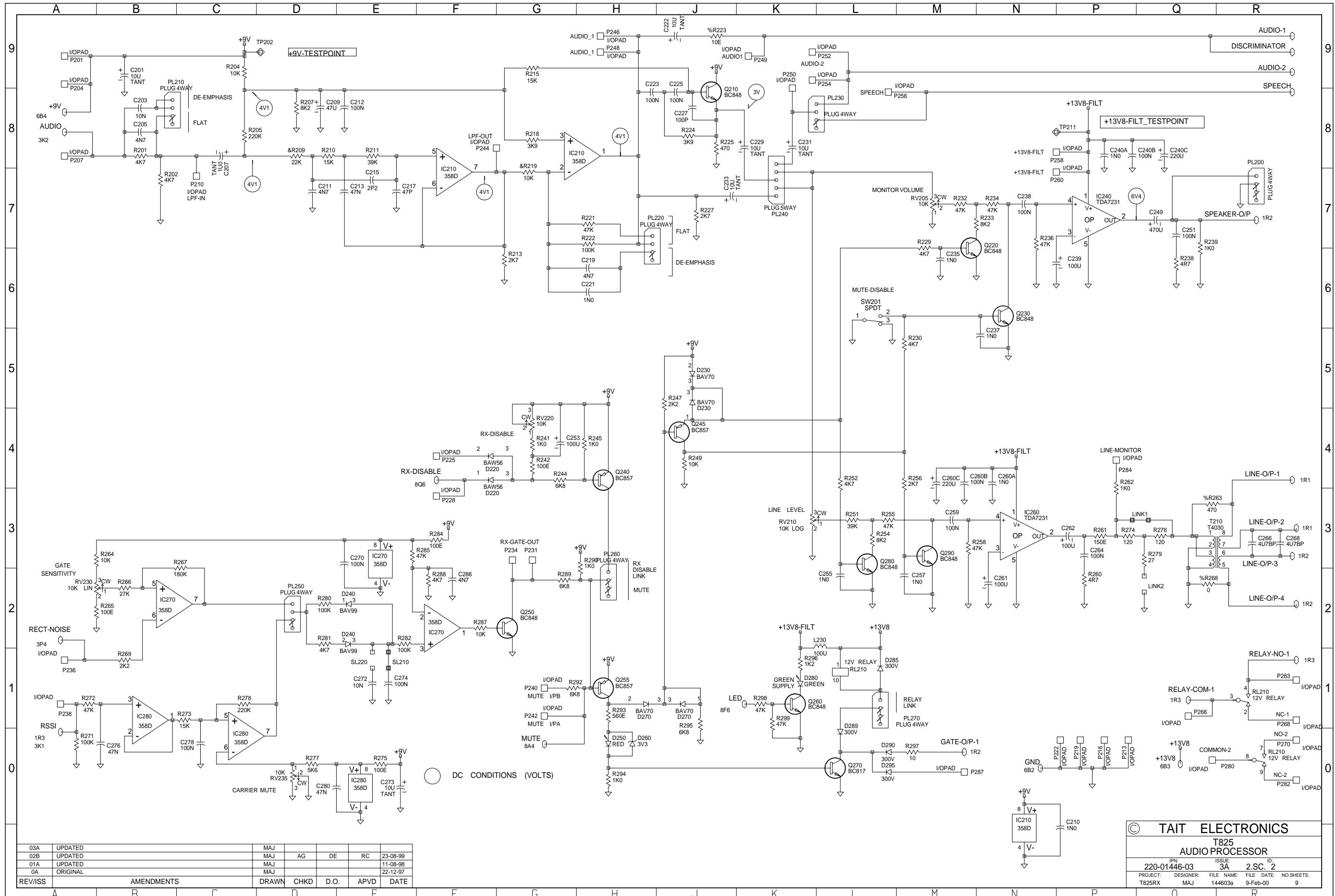
PL100
15 WAY R-ANGLE DRANGE PLUG



VARIANT INDICATORS							
-10	-13	-15	-20	-23	-25	-	-
T82510 2K2	T82513 2K2	T82515 2K2	T82520 2K2	T82523 2K2	T82525 2K2	T825- 2K2	T825- 2K2

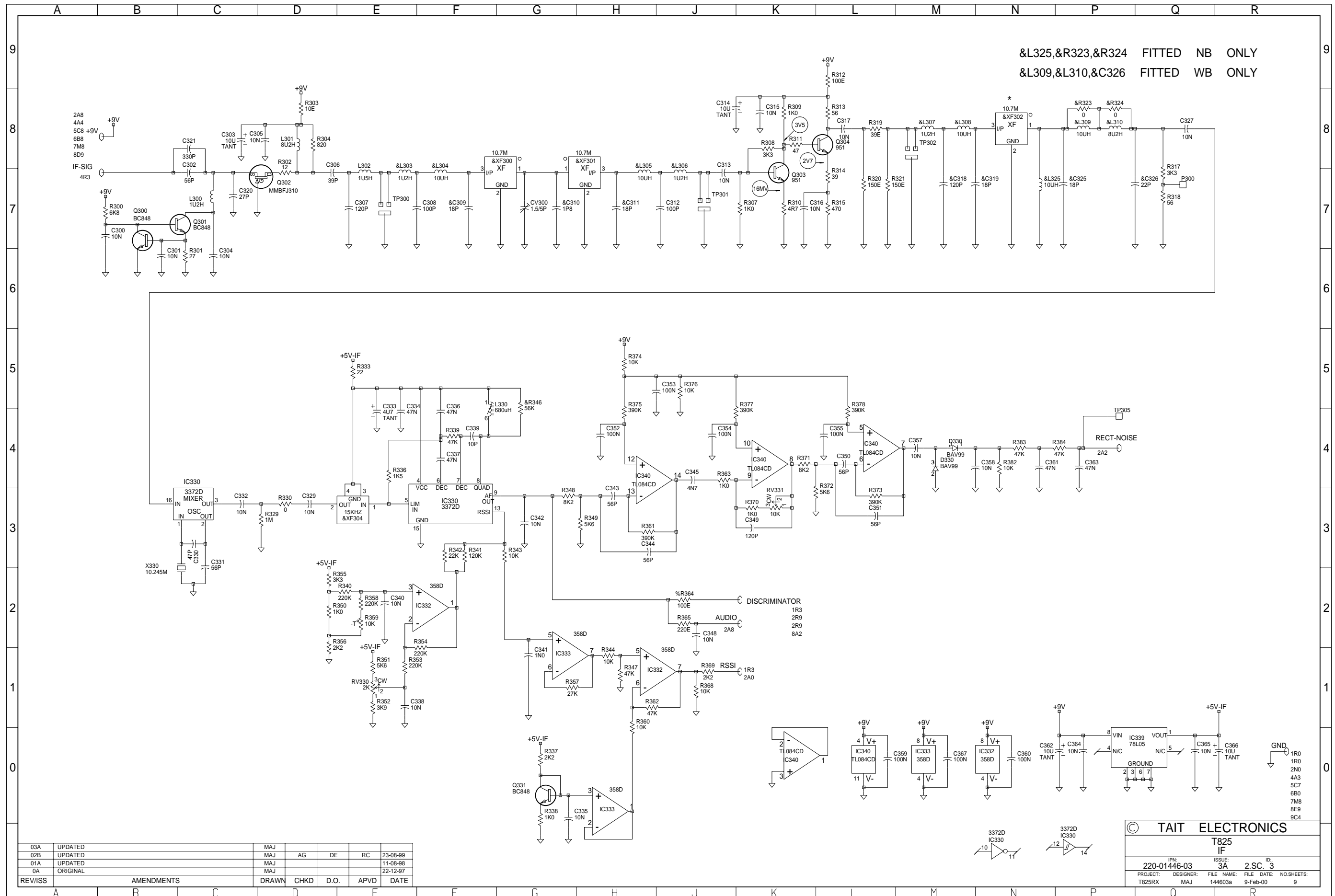
DGND & GND ARE CONNECTED THROUGH R617 ON SHEET 6

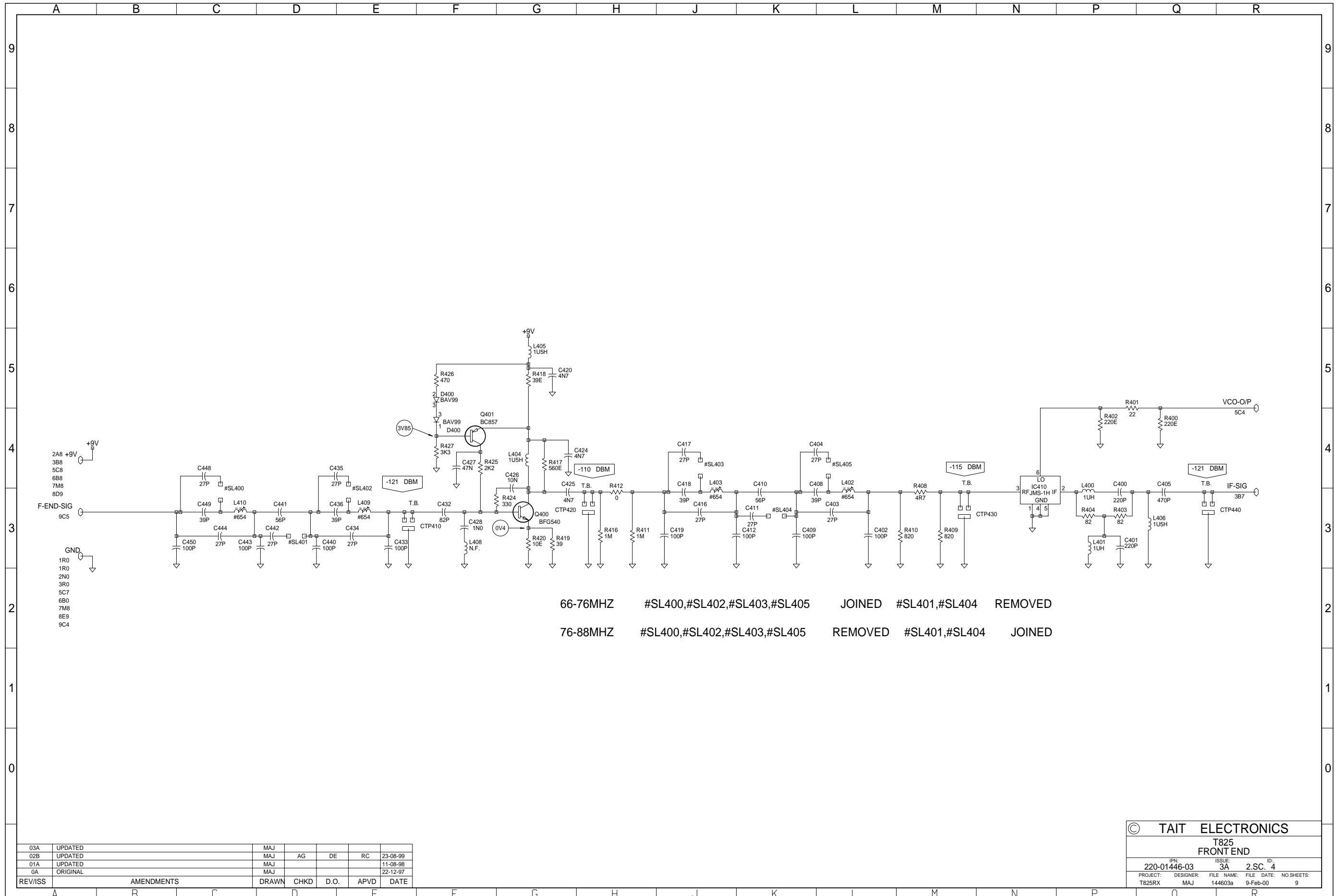
© TAIT ELECTRONICS			
T825 RECEIVER			
IPN:	3A	ISSUE:	2.SC. 1
PROJECT:	DESIGNER:	FILE NAME:	FILE DATE:
T825RX	MAJ	144603a	9-Feb-00
REV/ISS:	AMENDMENTS:	DRAWN:	CHKD:
			APVD:
			DATE:



REV/ISS	AMENDMENTS	DRAWN	CHKD	D.O.	APVD	DATE
03A	UPDATED				MAJ	23-08-99
02B	UPDATED				MAJ	11-08-98
01A	UPDATED				MAJ	22-12-97
0A	ORIGINAL				MAJ	

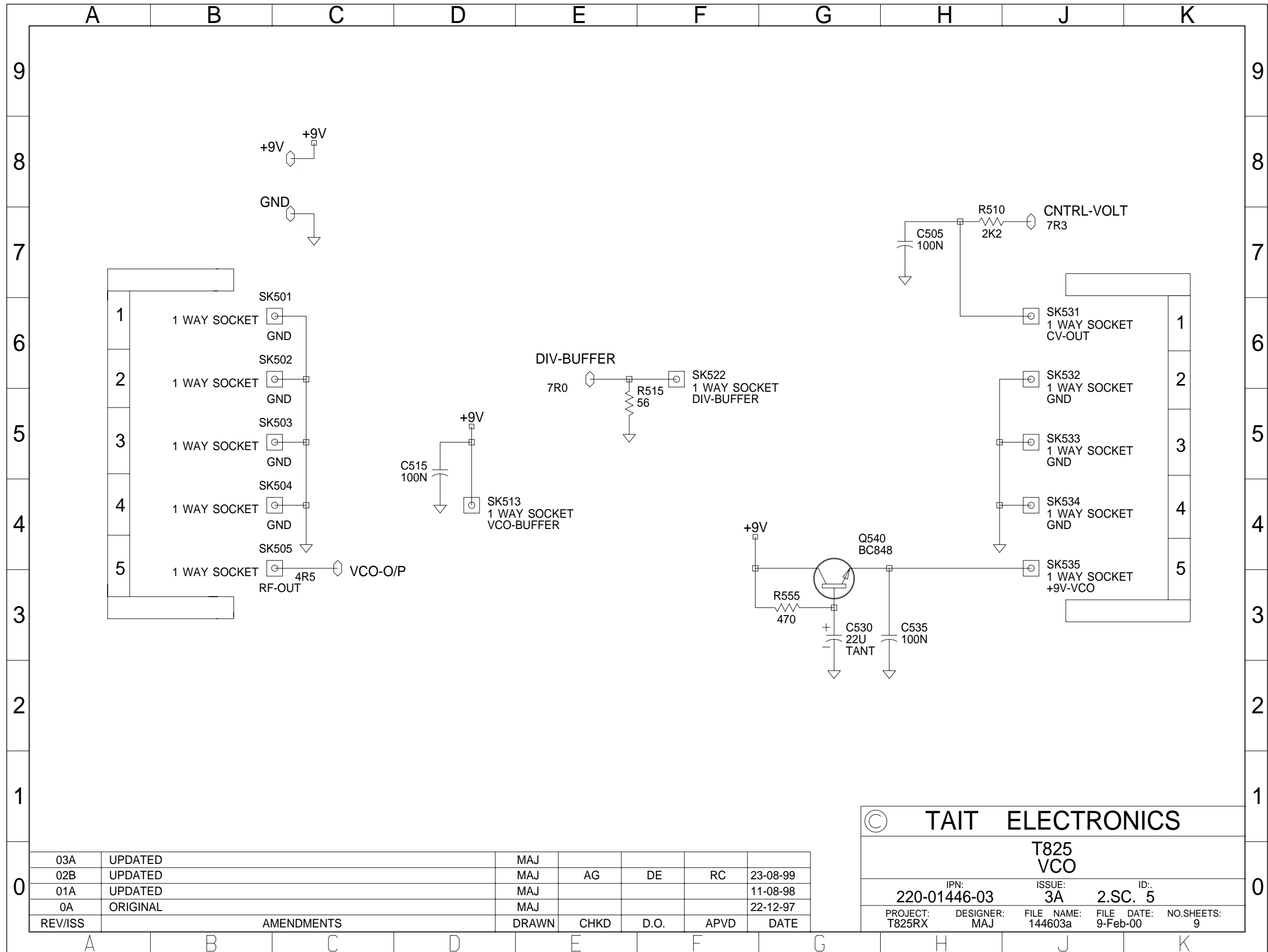
© TAIT ELECTRONICS
T825
AUDIO PROCESSOR
IPN: 220-01446-03
ISSUE: 3A 2.S.C. 2
PROJECT: T825RX DESIGNER: MAJ FILE NAME: 144603a FILE DATE: 9-Feb-00 NO SHEETS: 9





03A	UPDATED	MAJ					
02B	UPDATED	MAJ	AG	DE	RC	23-08-99	
01A	UPDATED	MAJ				11-08-98	
0A	ORIGINAL	MAJ				22-12-97	
REV/ISS	AMENDMENTS	DRAWN	CHKD	D.O.	APVD	DATE	

© TAIT ELECTRONICS			
T825 FRONT END			
IPN	ISSUE	FILE	ID
220-01446-03	3A	2.SC.	4
PROJECT:	DESIGNER:	FILE NAME:	FILE DATE:
T825RX	MAJ	144603a	9-Feb-00
			NO SHEETS: 9



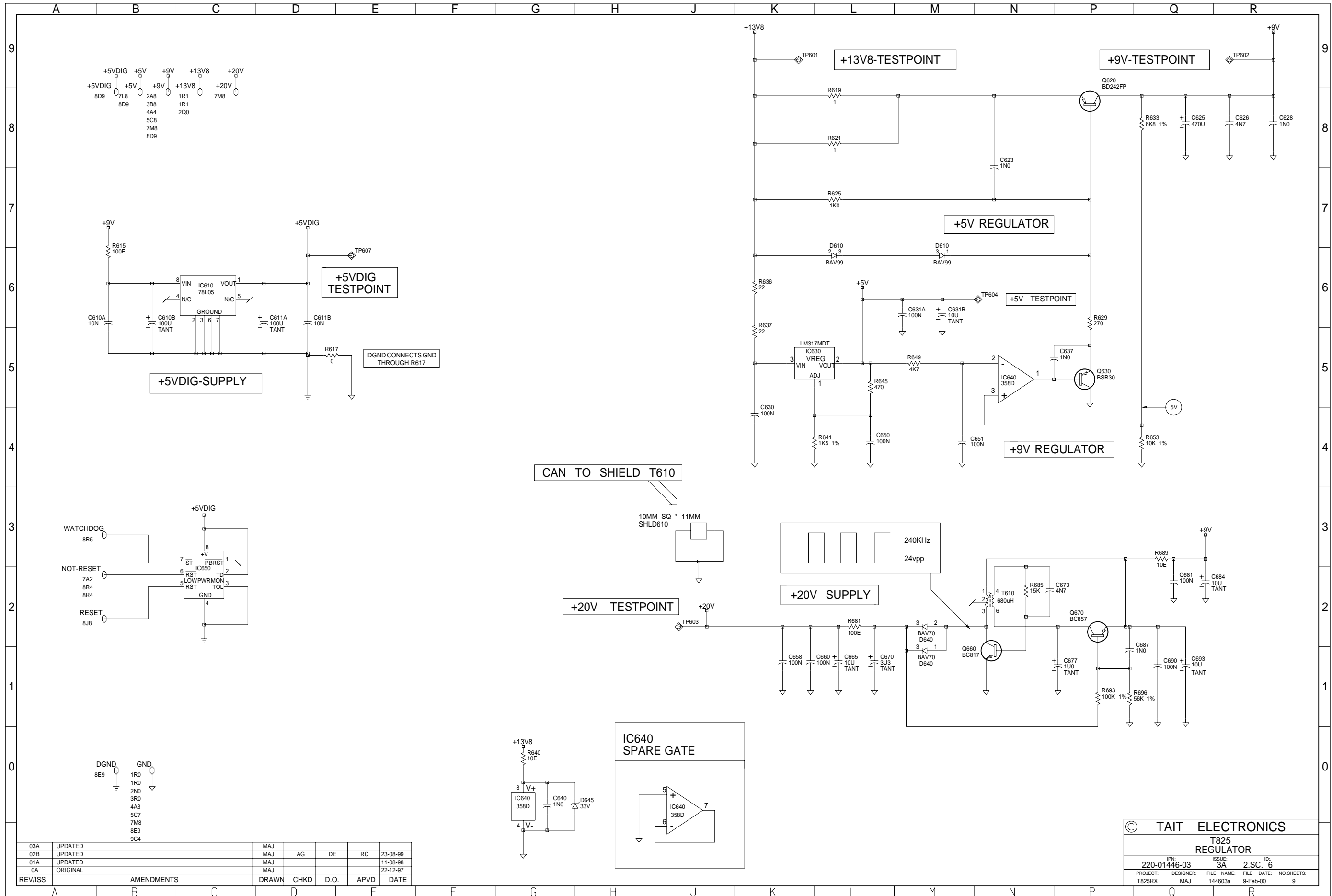
03A	UPDATED	MAJ				
02B	UPDATED	MAJ	AG	DE	RC	23-08-99
01A	UPDATED	MAJ				11-08-98
0A	ORIGINAL	MAJ				22-12-97
REV/ISS	AMENDMENTS	DRAWN	CHKD	D.O.	APVD	DATE

© TAIT ELECTRONICS

T825 VCO

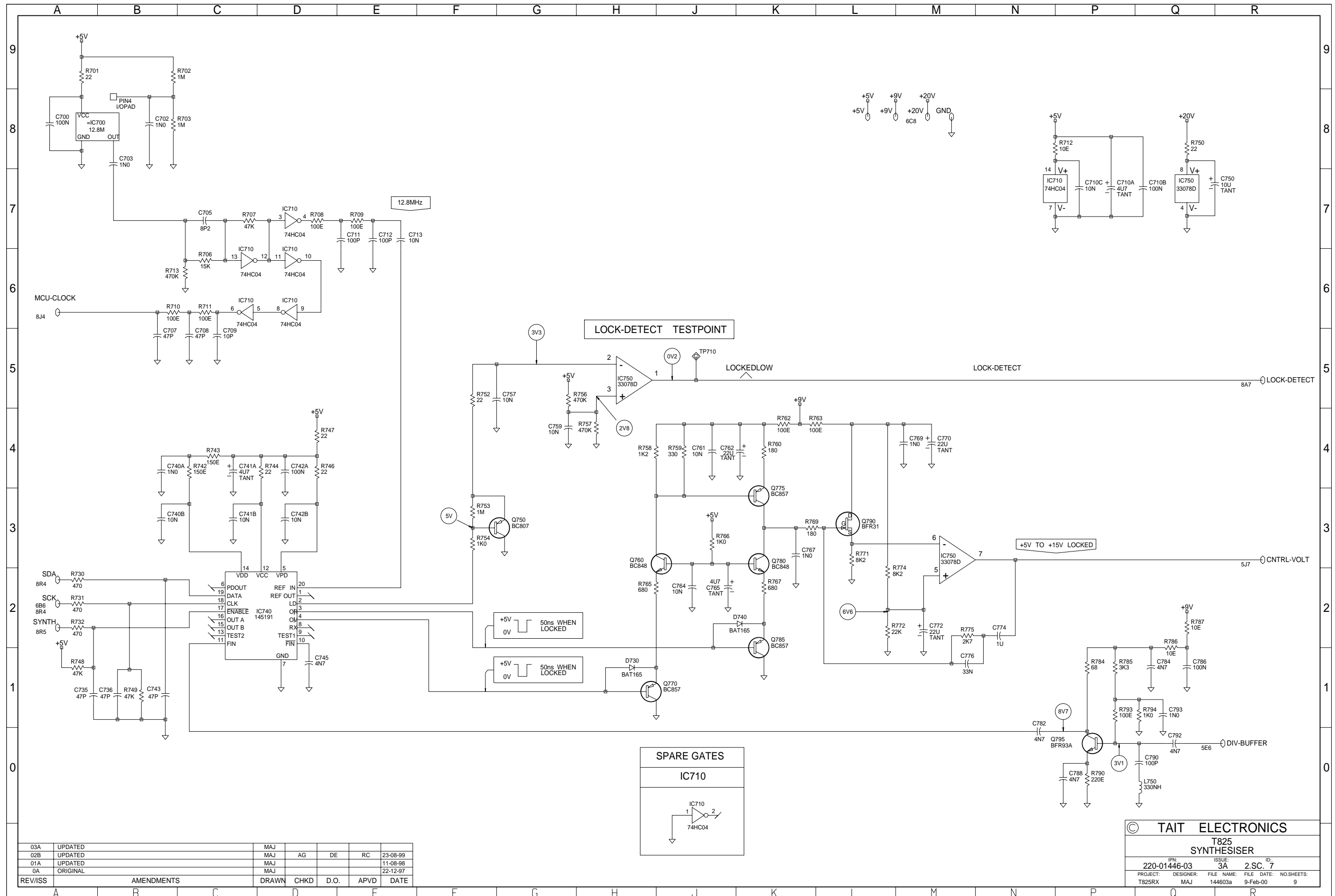
IPN: 220-01446-03 ISSUE: 3A ID: 2.SC. 5

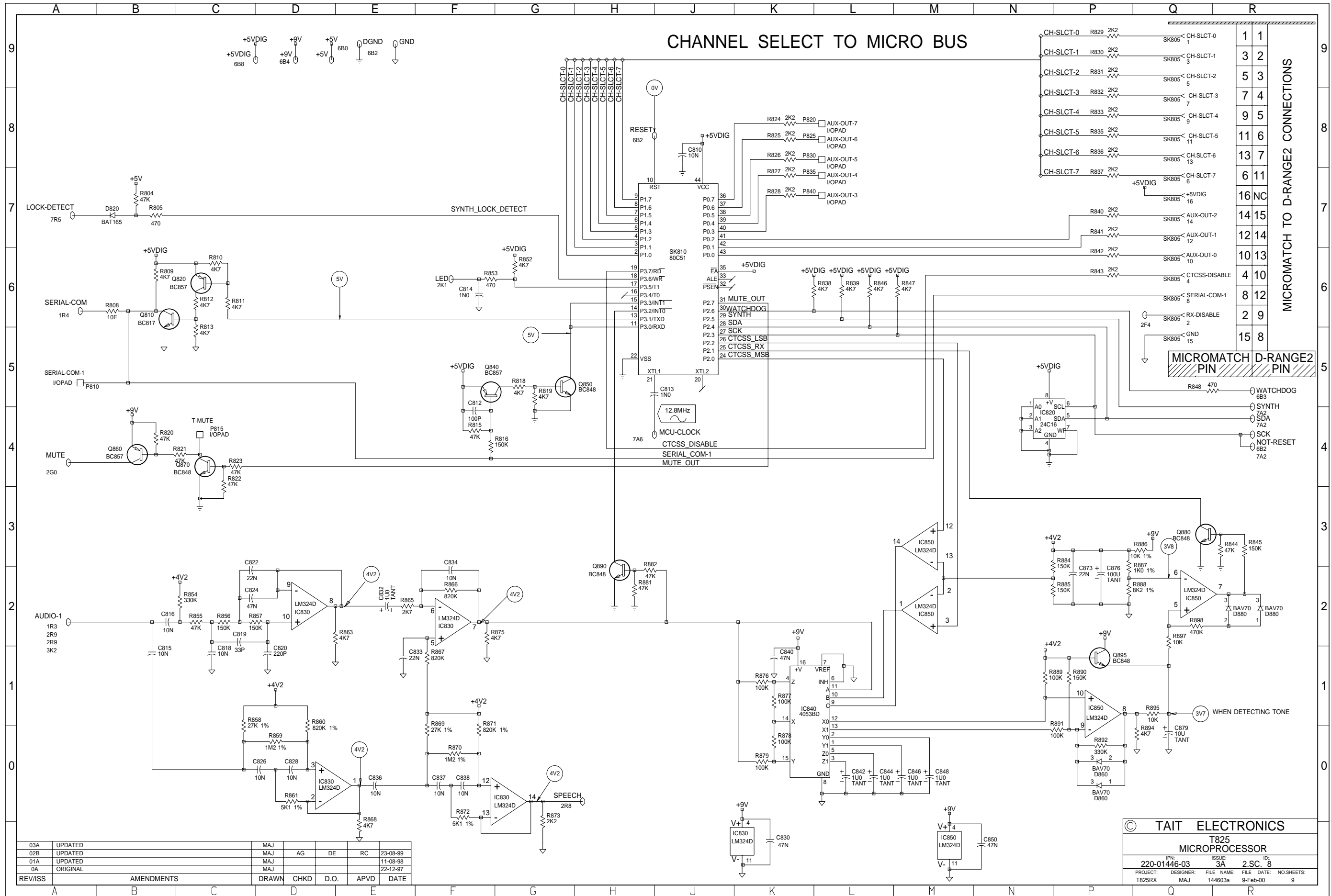
PROJECT: T825RX DESIGNER: MAJ FILE NAME: 144603a FILE DATE: 9-Feb-00 NO.SHEETS: 9



REV/ISS	AMENDMENTS	DRAWN	CHKD	D.O.	APVD	DATE
03A	UPDATED	MAJ				23-08-99
02B	UPDATED	MAJ	AG	DE	RC	11-08-98
01A	UPDATED	MAJ				22-12-97
0A	ORIGINAL	MAJ				

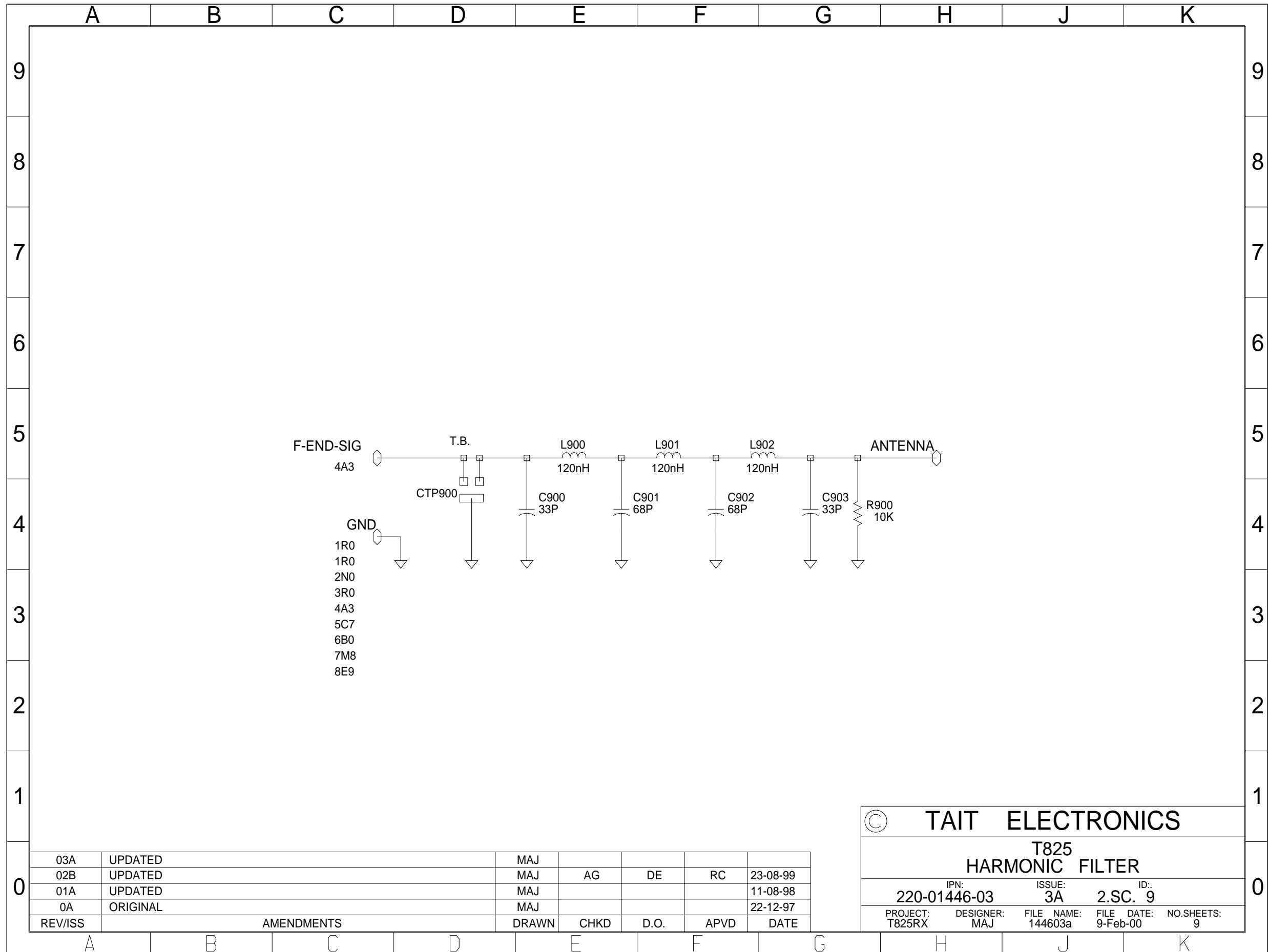
© TAIT ELECTRONICS	
T825 REGULATOR	
IPN: 220-01446-03	ISSUE: 3A
PROJECT: T825RX	DESIGNER: MAJ
FILE NAME: 144603a	FILE DATE: 9-Feb-00
NO SHEETS: 9	





REV/ISS	AMENDMENTS	DRAWN	CHKD	D.O.	APVD	DATE
03A	UPDATED	MAJ				23-08-99
02B	UPDATED	MAJ	AG	DE	RC	11-08-98
01A	UPDATED	MAJ				22-12-97
0A	ORIGINAL	MAJ				

© TAIT ELECTRONICS
T825 MICROPROCESSOR
 PIN: 220-01446-03 ISSUE: 3A 2.S.C. 8
 PROJECT: T825RX DESIGNER: MAJ FILE NAME: 144603a FILE DATE: 9-Feb-00 NO SHEETS: 9



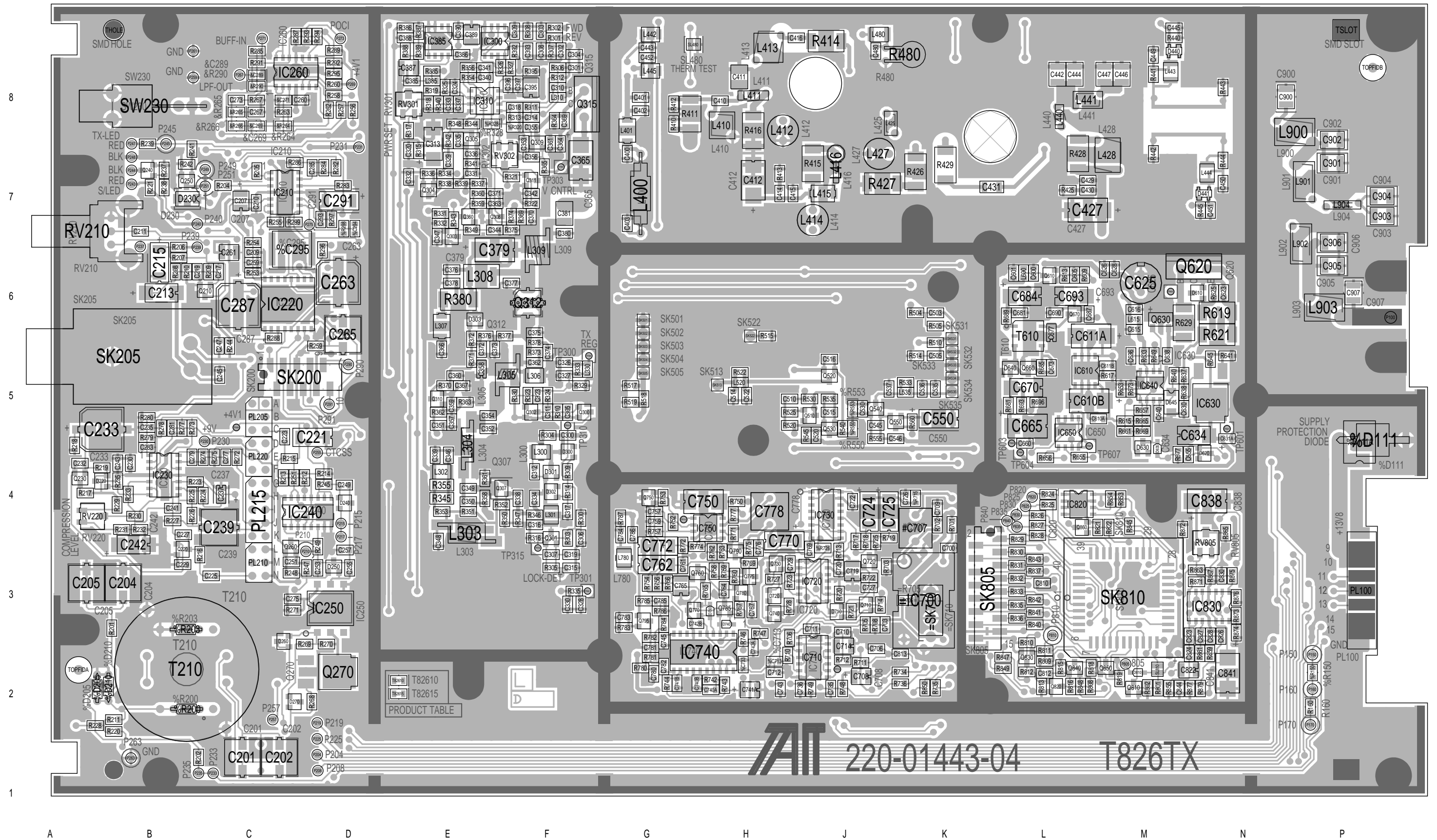
03A	UPDATED	MAJ				
02B	UPDATED	MAJ	AG	DE	RC	23-08-99
01A	UPDATED	MAJ				11-08-98
0A	ORIGINAL	MAJ				22-12-97
REV/ISS	AMENDMENTS	DRAWN	CHKD	D.O.	APVD	DATE

© TAIT ELECTRONICS

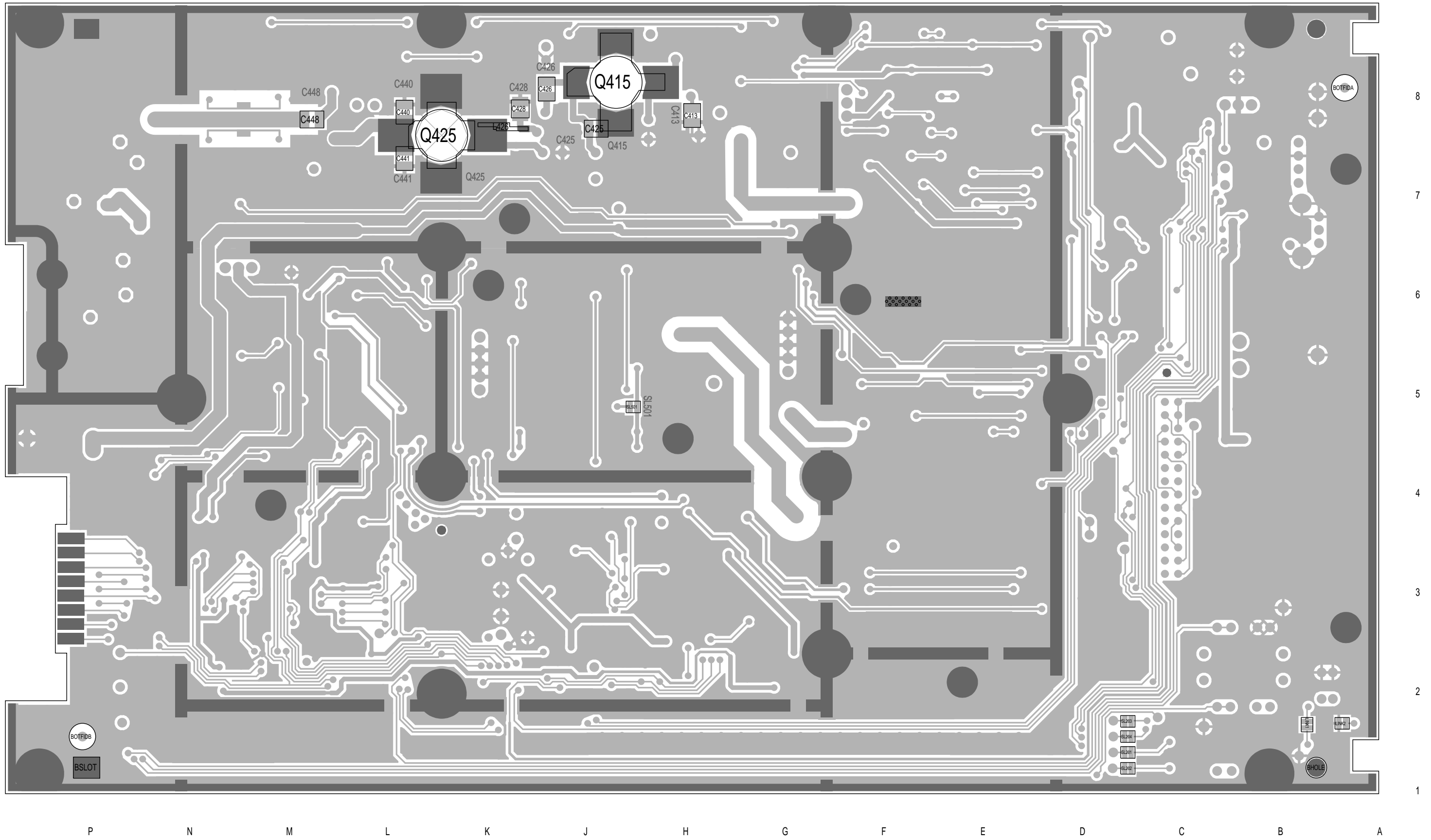
T825
 HARMONIC FILTER

IPN: 220-01446-03 ISSUE: 3A ID: 2.SC. 9

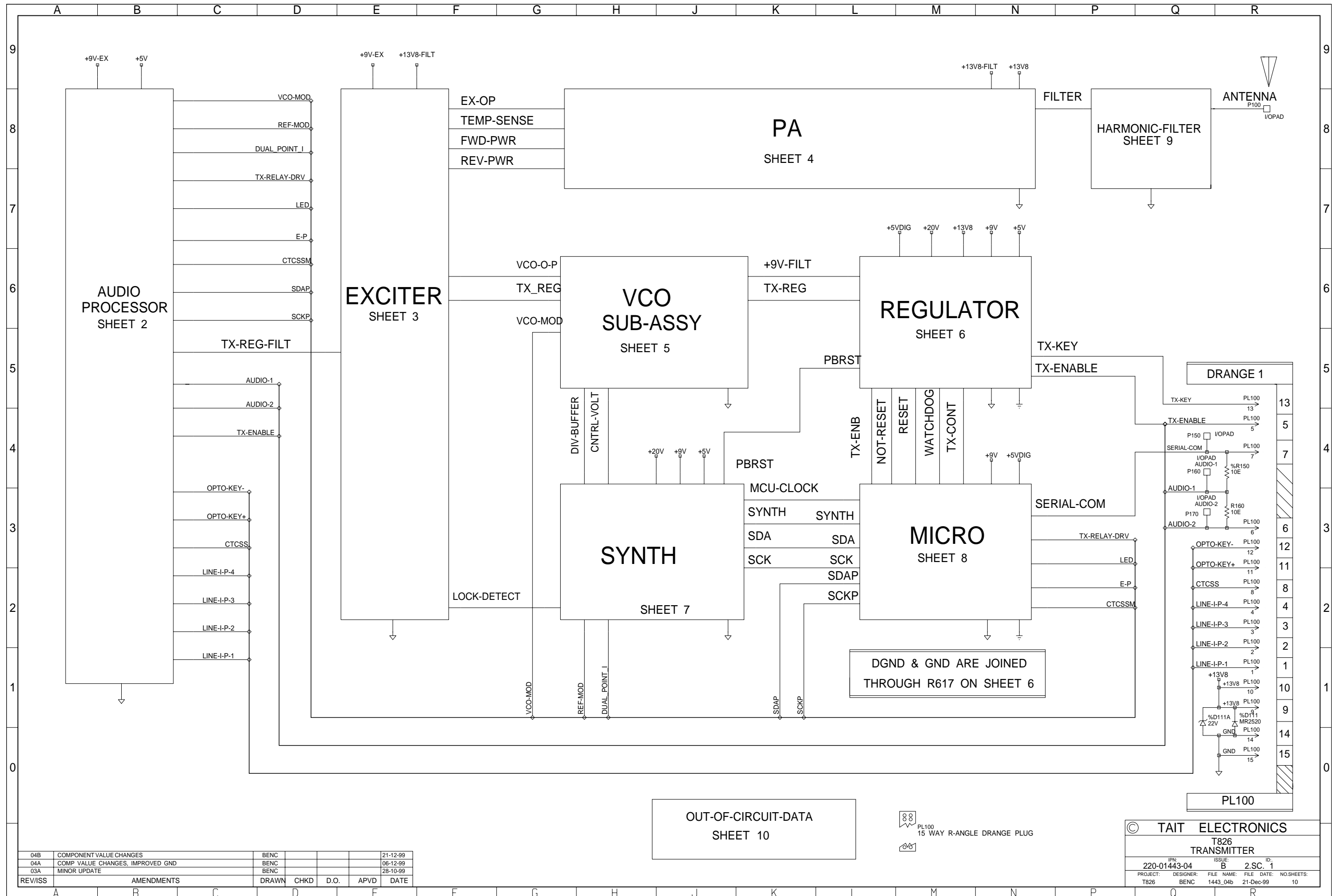
PROJECT: T825RX DESIGNER: MAJ FILE NAME: 144603a FILE DATE: 9-Feb-00 NO.SHEETS: 9



AIT 220-01443-04 T826TX

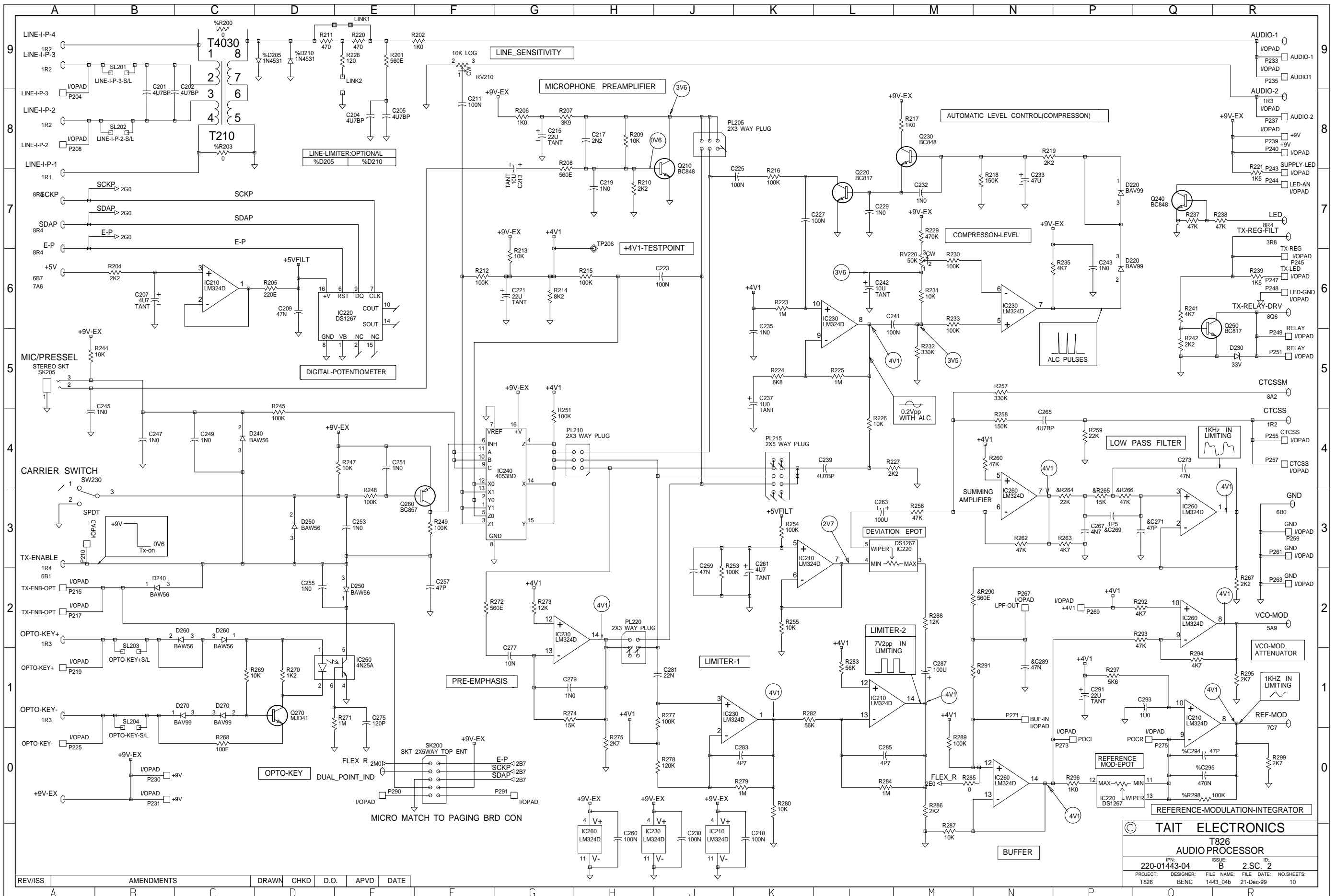


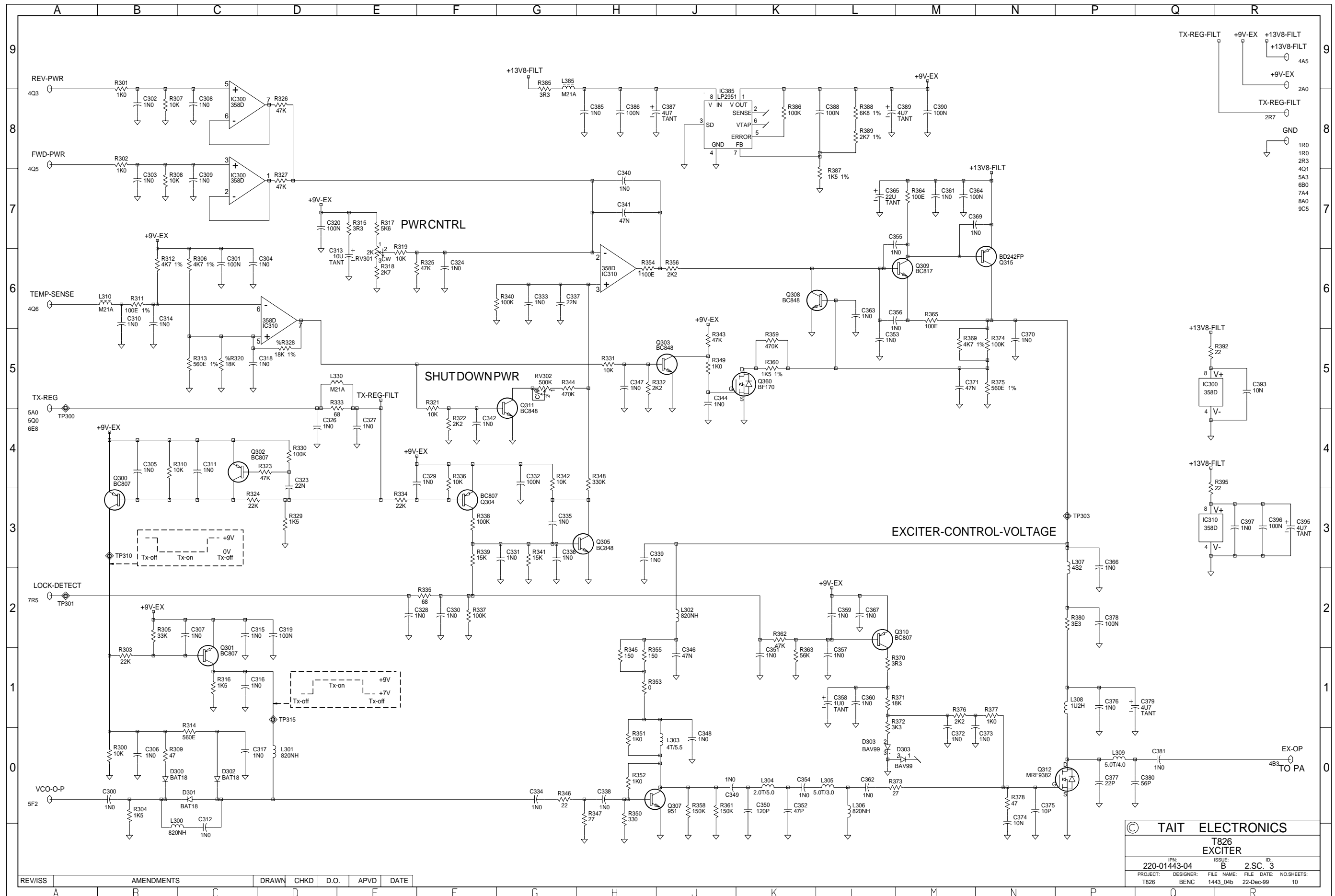
T826 PCB Layout - Bottom Side
220-01443-04

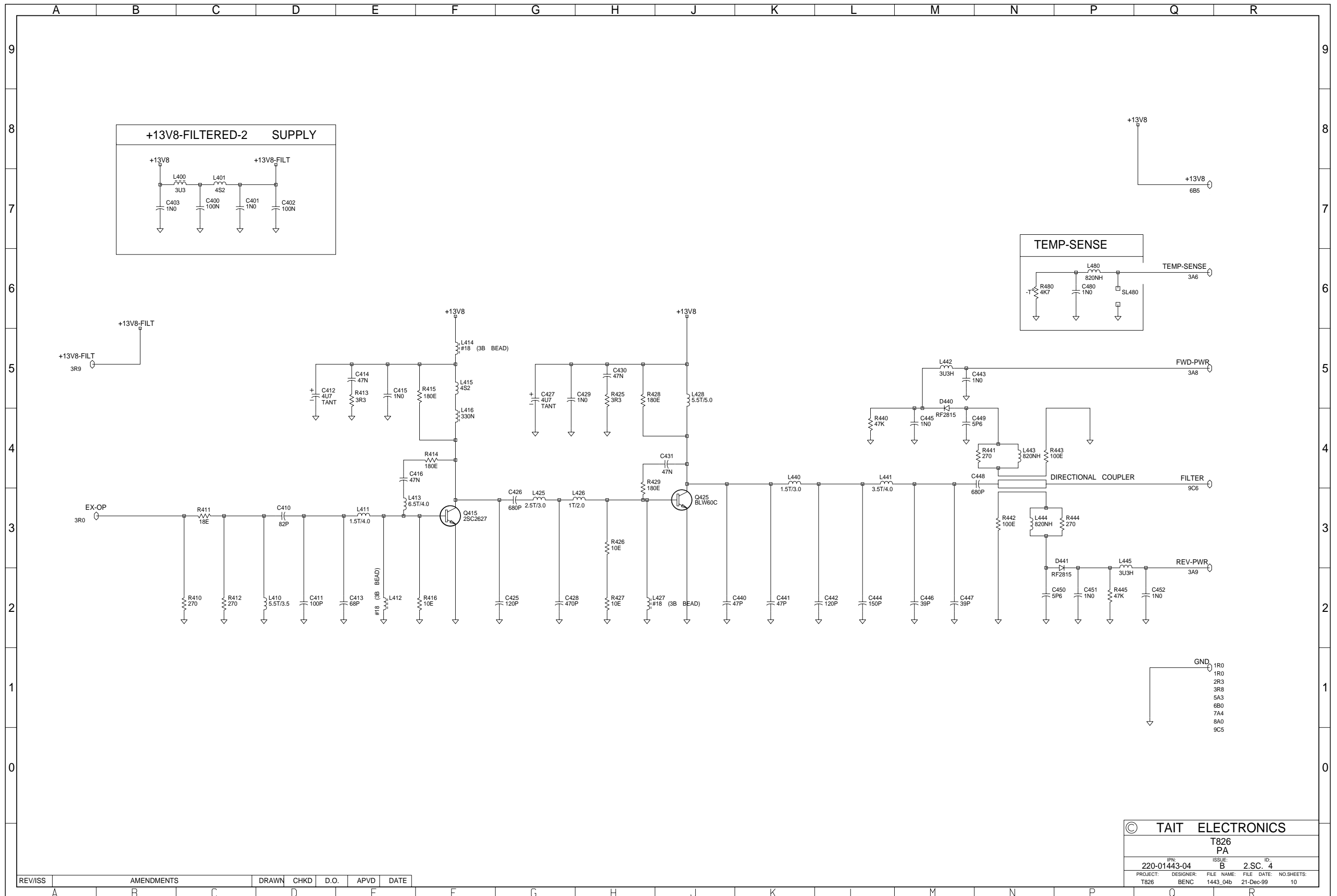


04B	COMPONENT VALUE CHANGES	BENC				21-12-99
04A	COMP VALUE CHANGES, IMPROVED GND	BENC				06-12-99
03A	MINOR UPDATE	BENC				28-10-99
REV/ISS	AMENDMENTS	DRAWN	CHKD	D.O.	APVD	DATE

© TAIT ELECTRONICS					
T826 TRANSMITTER					
IPN:	220-01443-04	ISSUE:	B	SC:	1
PROJECT:	T826	DESIGNER:	BENC	FILE NAME:	1443_04b
		FILE DATE:	21-Dec-99	NO. SHEETS:	10





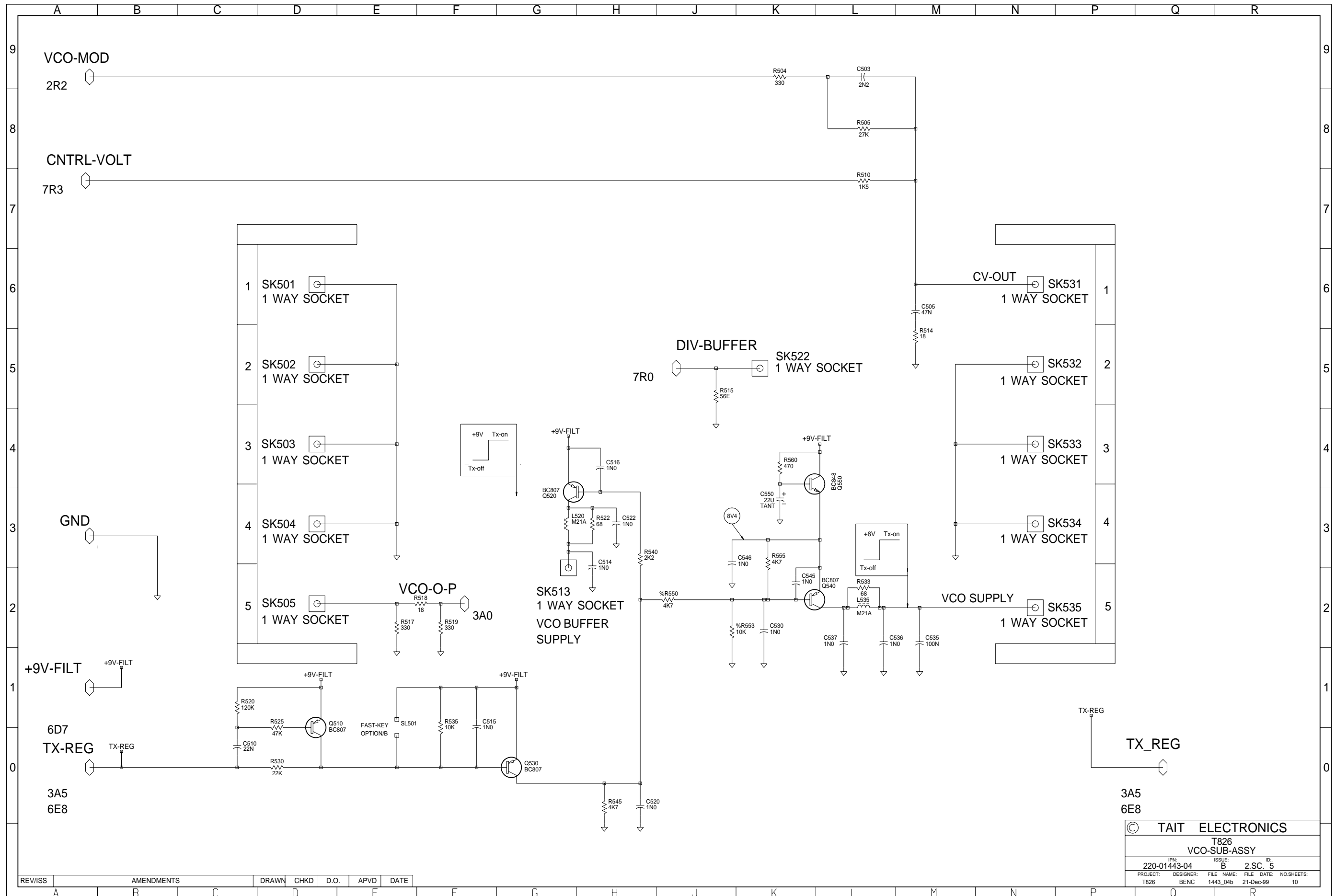


© TAIT ELECTRONICS

T826 PA

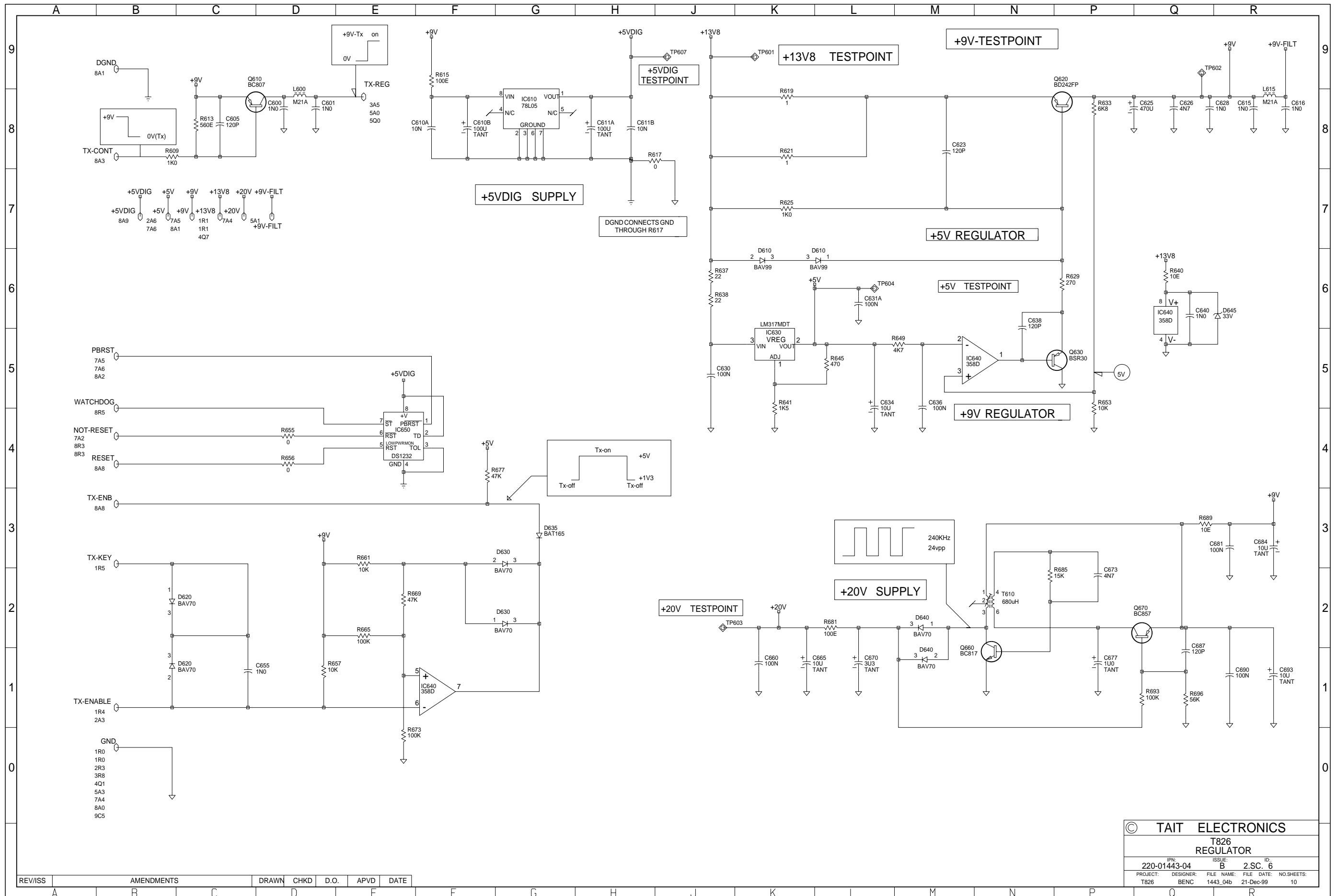
IPN: 220-01443-04 ISSUE: B ID: 2.SC. 4

PROJECT: T826 DESIGNER: BENC FILE NAME: 1443_04b FILE DATE: 21-Dec-99 NO SHEETS: 10

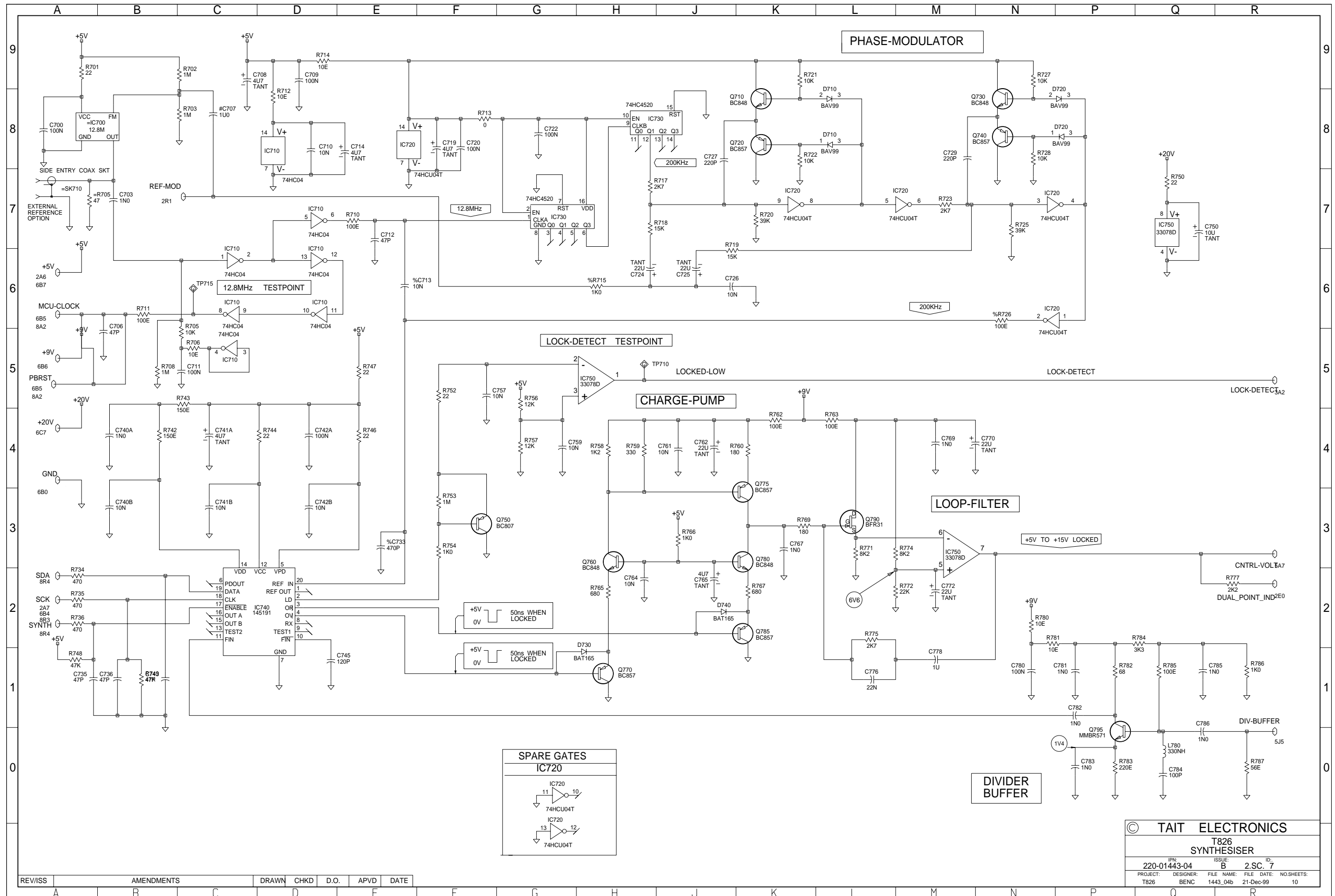


© TAIT ELECTRONICS	
T826	
VCO-SUB-ASSY	
IPN: 220-01443-04	ISSUE: B
DESIGNER: BENC	FILE NAME: 1443_04b
FILE DATE: 21-Dec-99	NO. SHEETS: 10

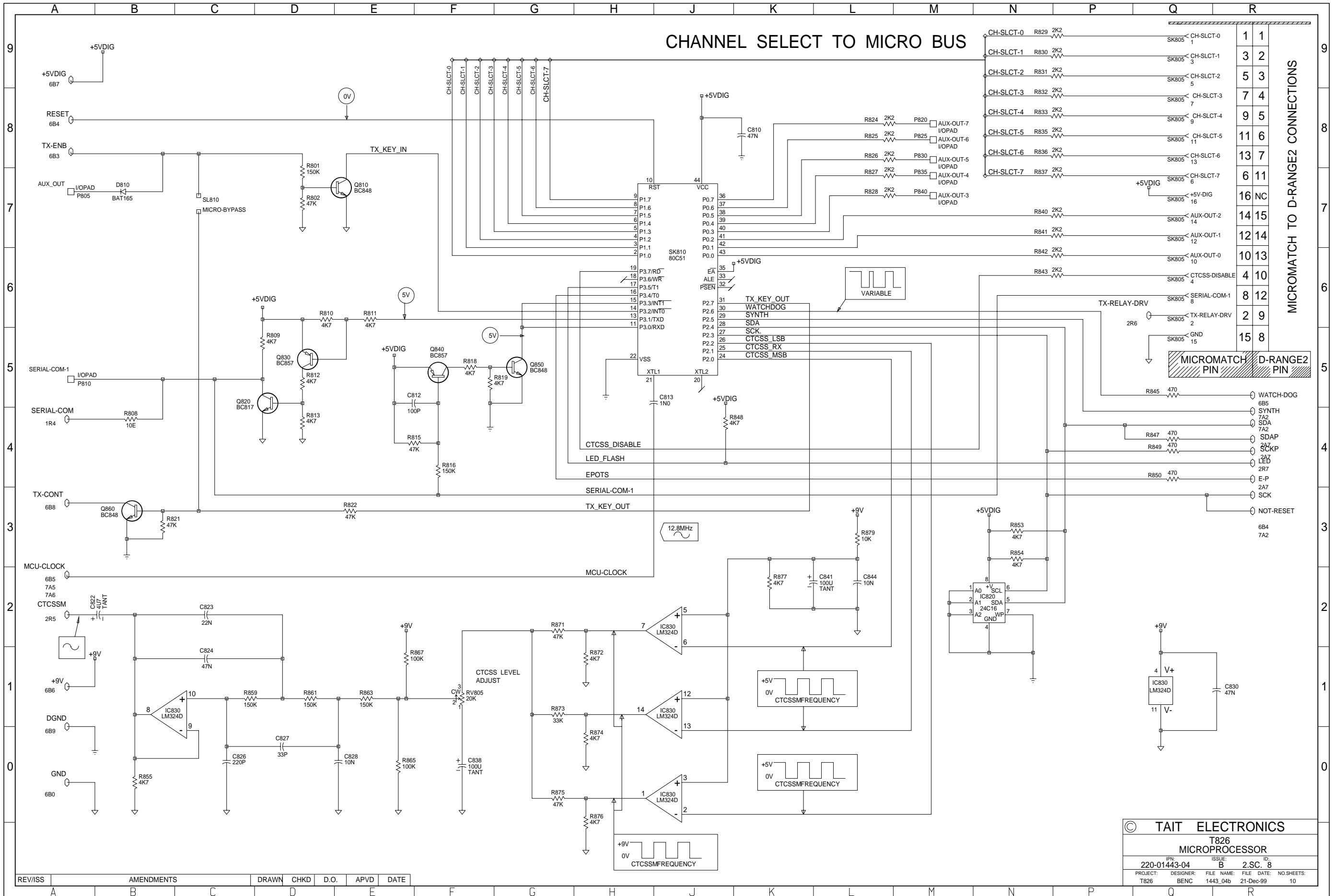
Sheet 5 - T826 VCO Section
220-01443-04



© TAIT ELECTRONICS	
T826 REGULATOR	
IPN: 220-01443-04	ISSUE: B
PROJECT: T826	DESIGNER: BENC
FILE NAME: 1443_04b	FILE DATE: 21-Dec-99
NO SHEETS: 10	

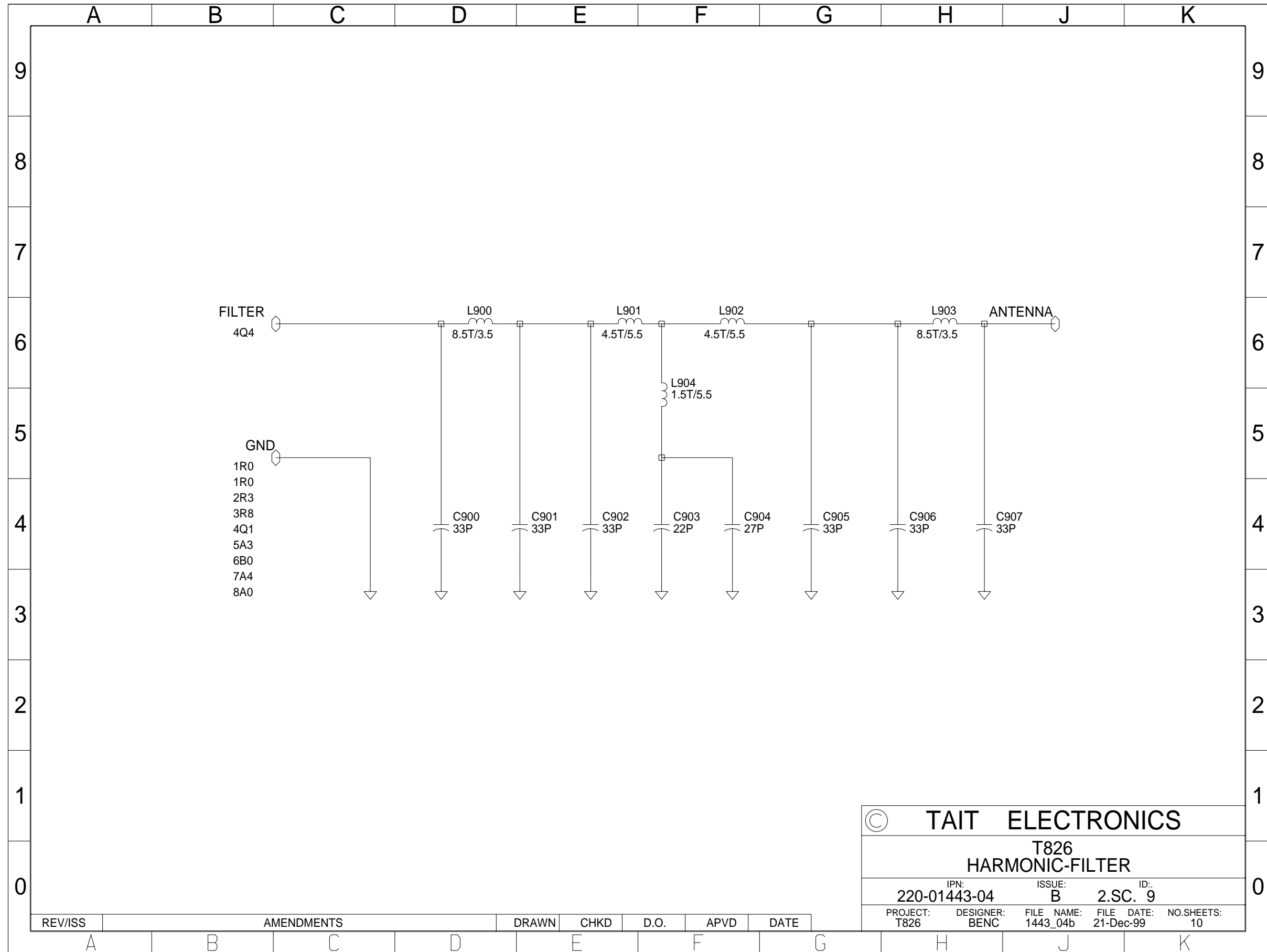


© TAIT ELECTRONICS	
T826 SYNTHESISER	
IPN: 220-01443-04	ISSUE: B
PROJECT: T826	DESIGNER: BENC
FILE NAME: 1443_04b	FILE DATE: 21-Dec-99
NO. SHEETS: 10	2.S.C. 7



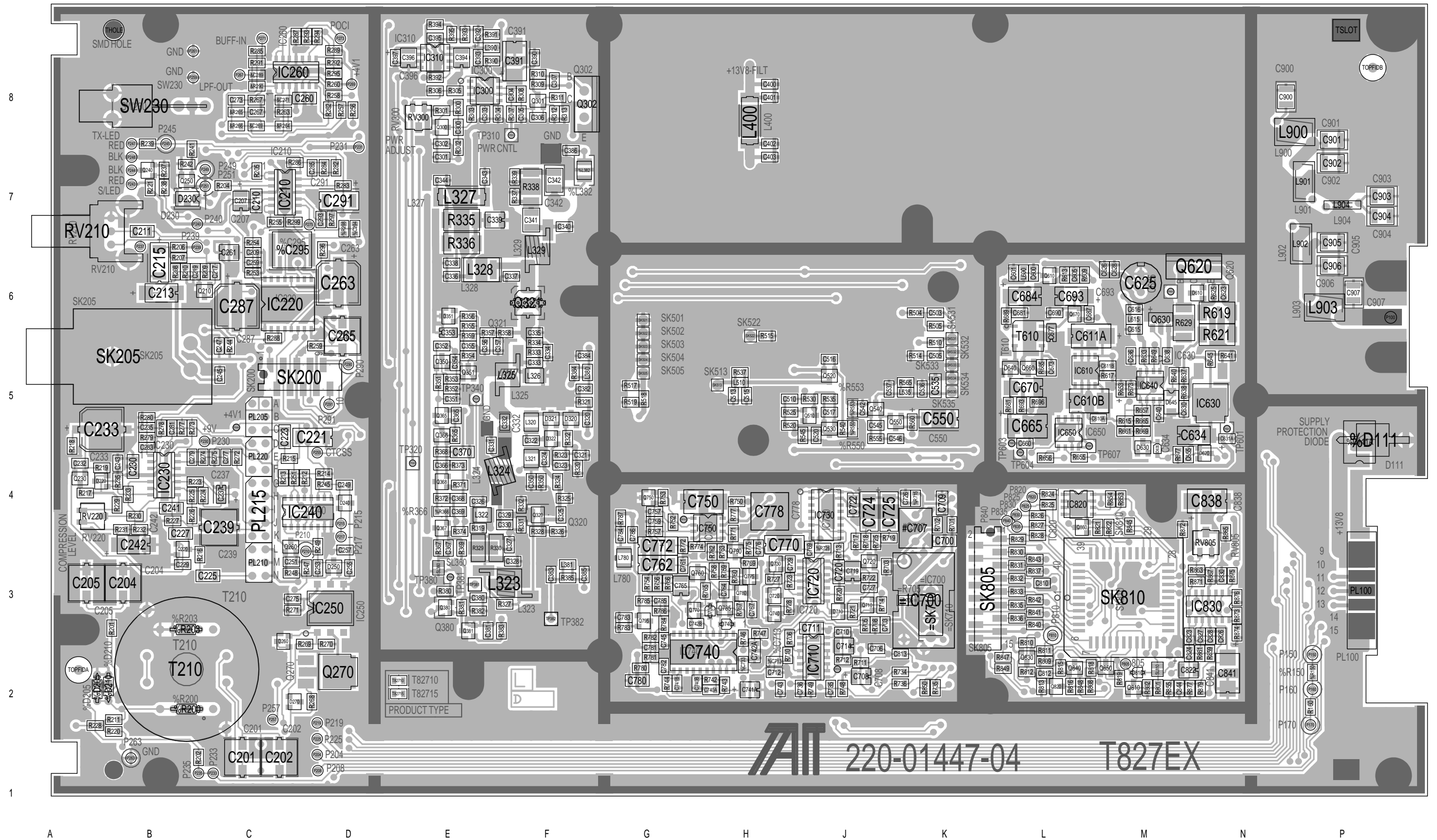
© TAIT ELECTRONICS
T826
MICROPROCESSOR

IPN: 220-01443-04	ISSUE: B	2.S.C. 8
PROJECT: T826	DESIGNER: BENC	FILE NAME: 1443_04b
FILE DATE: 21-Dec-99	NO SHEETS: 10	

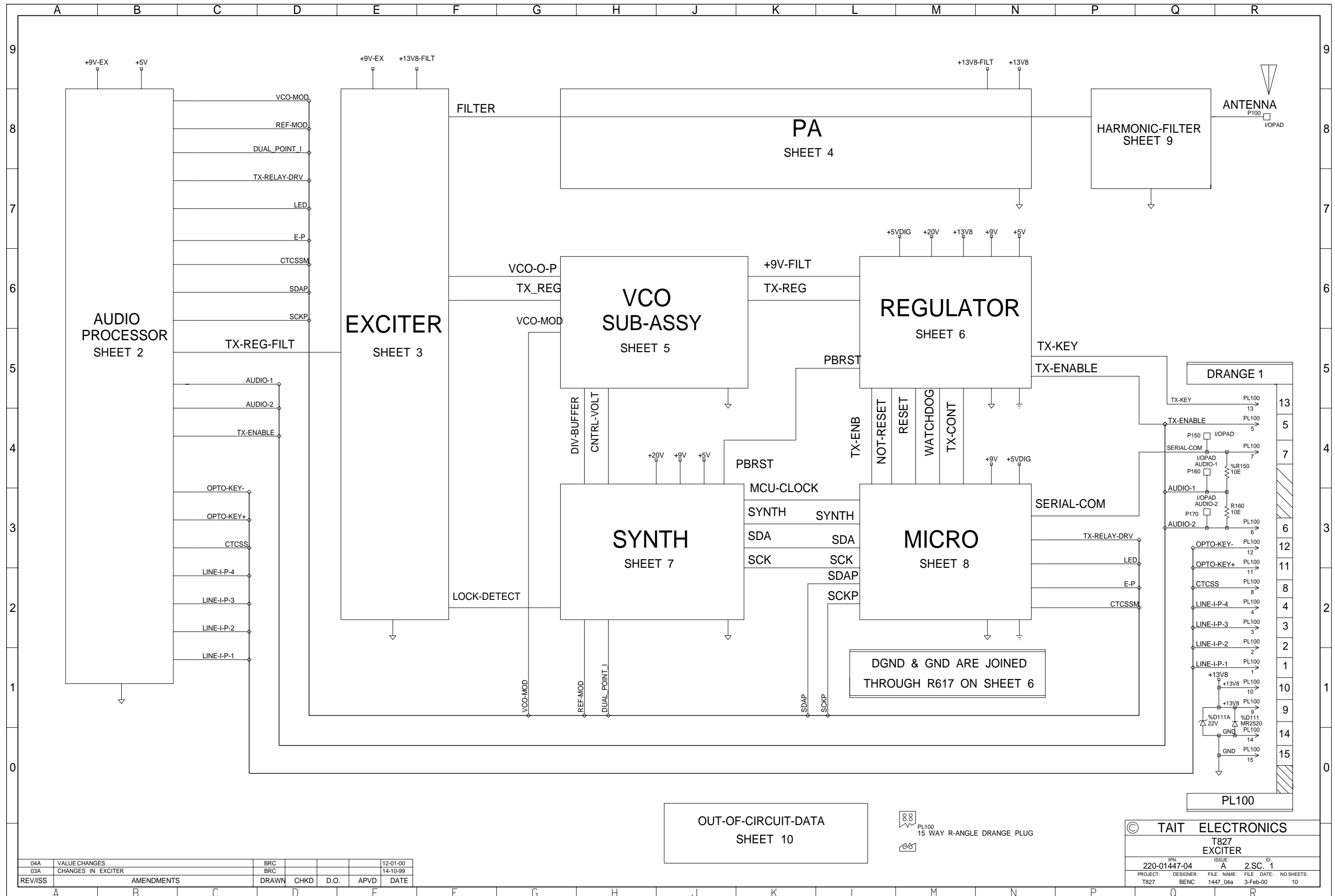


© TAIT ELECTRONICS			
T826 HARMONIC-FILTER			
IPN: 220-01443-04	ISSUE: B	ID.:	2.SC. 9
PROJECT: T826	DESIGNER: BENC	FILE NAME: 1443_04b	FILE DATE: 21-Dec-99
		NO.SHEETS:	10

REV/ISS	AMENDMENTS	DRAWN	CHKD	D.O.	APVD	DATE
A						



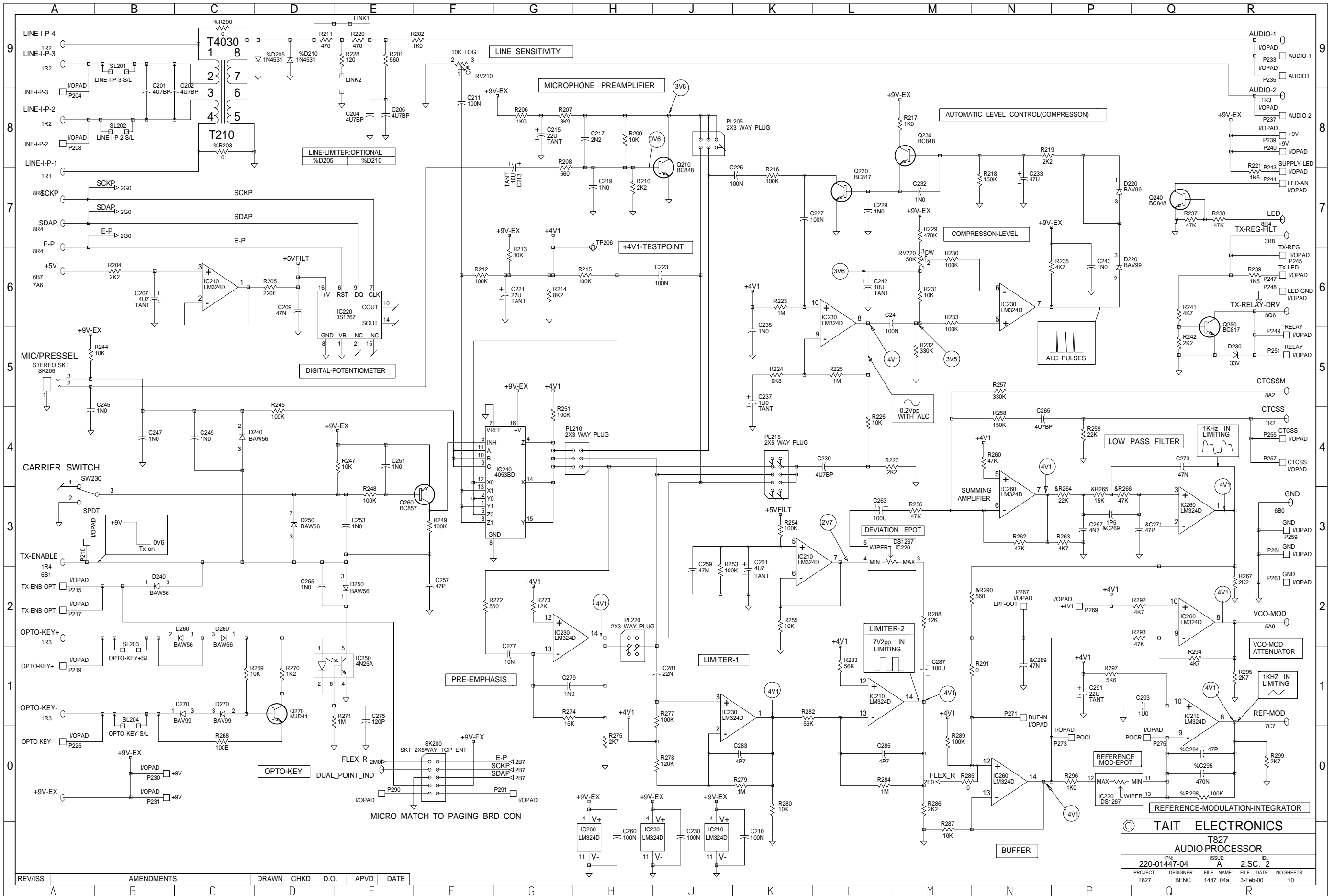
T827 PCB Layout - Top Side
220-01447-04

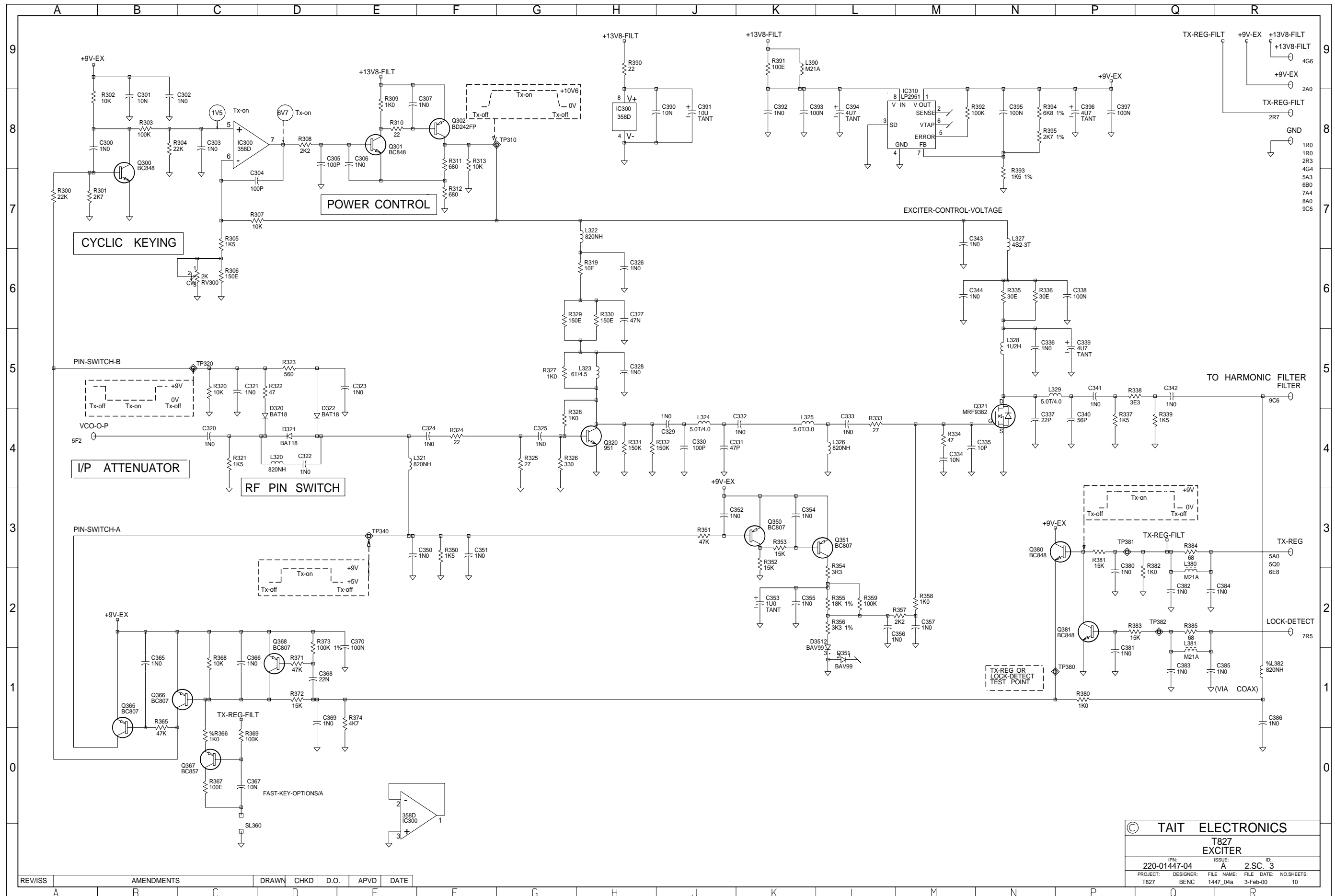


OUT-OF-CIRCUIT-DATA
SHEET 10

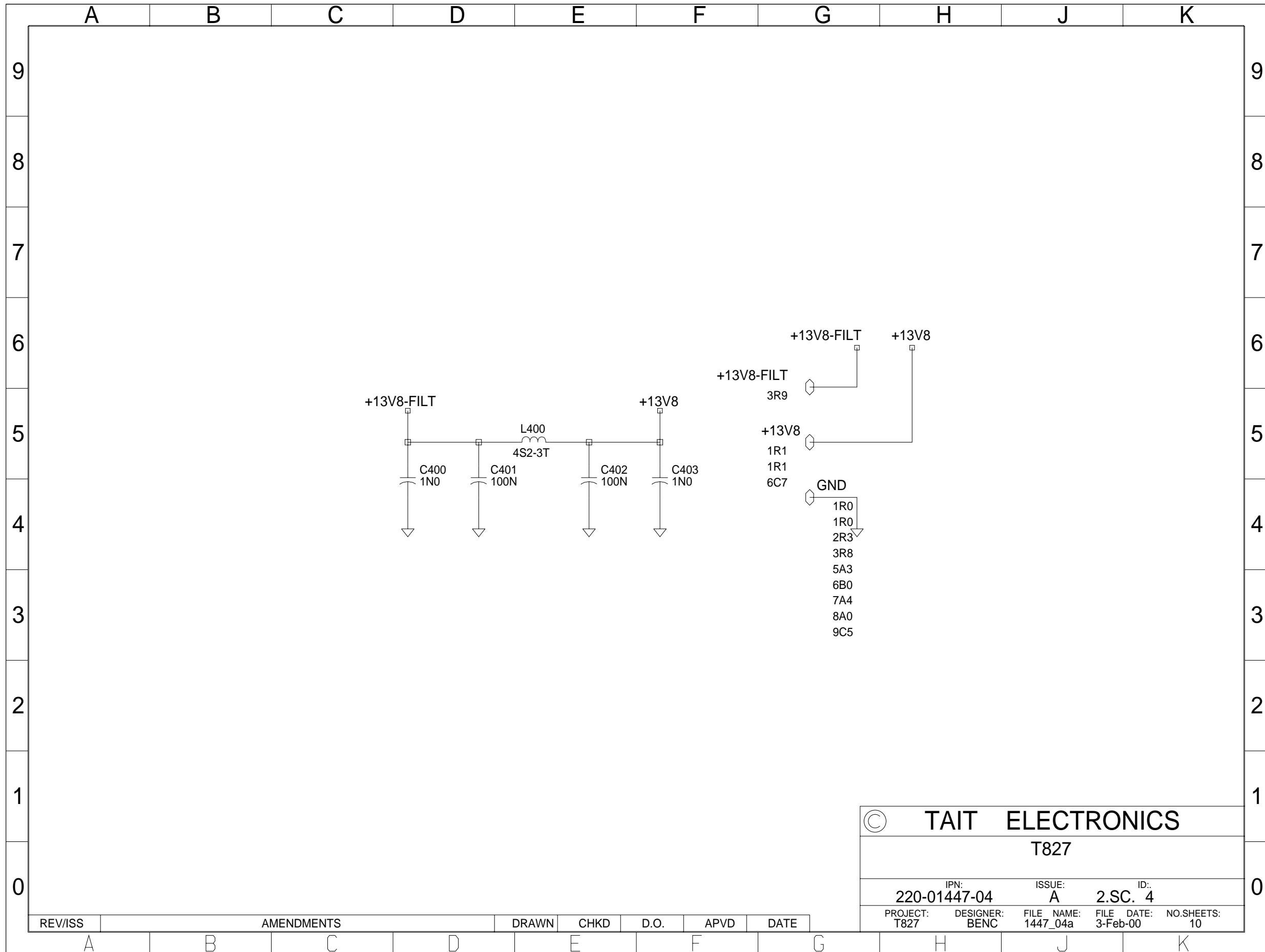
© TAIT ELECTRONICS
T827
EXCITER

IPN: 220-01447-04	ISSUE: A	SC: 1	ID: 1
PROJECT: T827	DESIGNER: BENC	FILE NAME: 1447_04a	FILE DATE: 3-Feb-00
NO. SHEETS: 10			

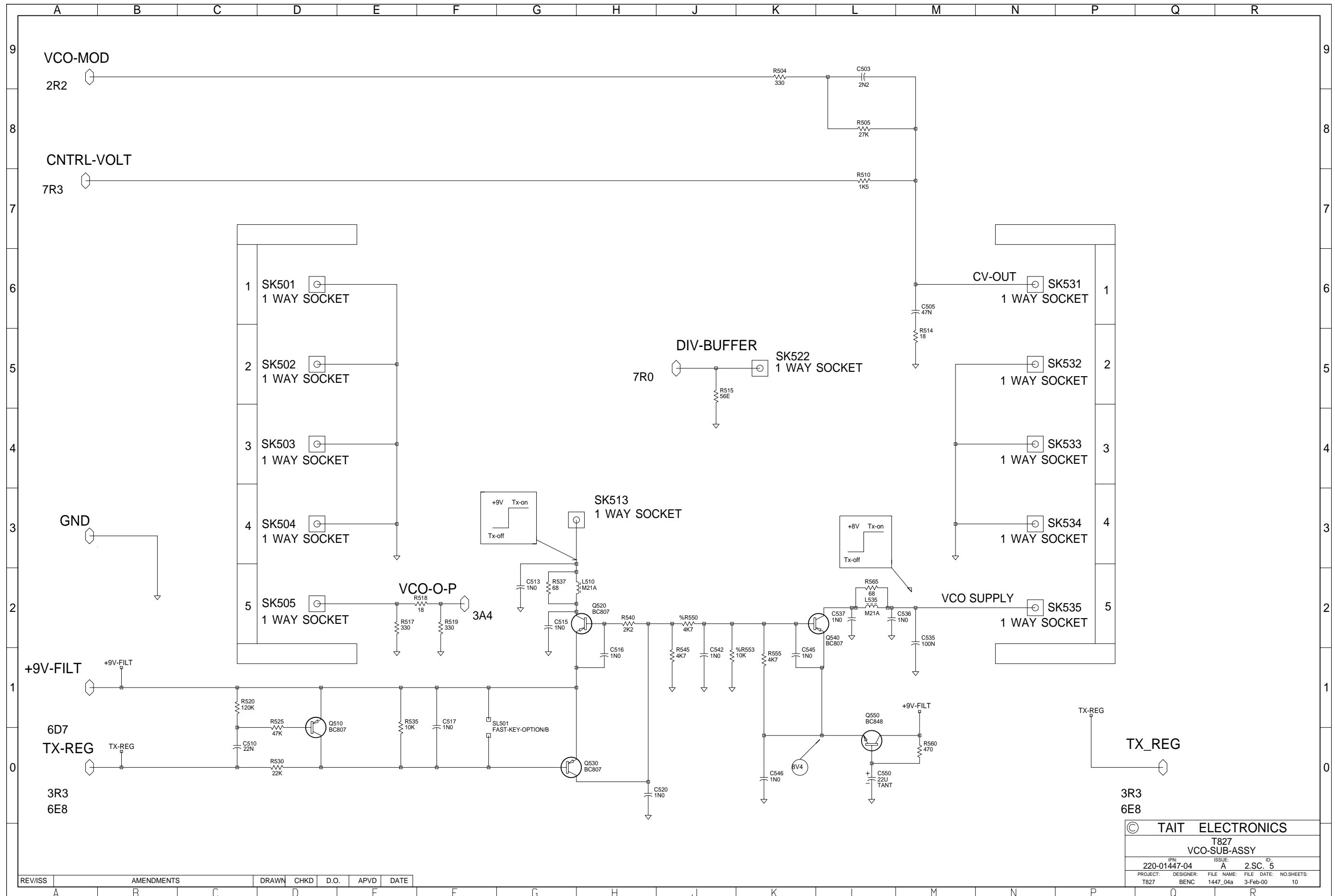




© TAIT ELECTRONICS
T827
EXCITER
IPN: 220-01447-04
ISSUE: A
NO. SHEETS: 10
DESIGNER: BENC
FILE NAME: 1447_04a
FILE DATE: 3-Feb-00

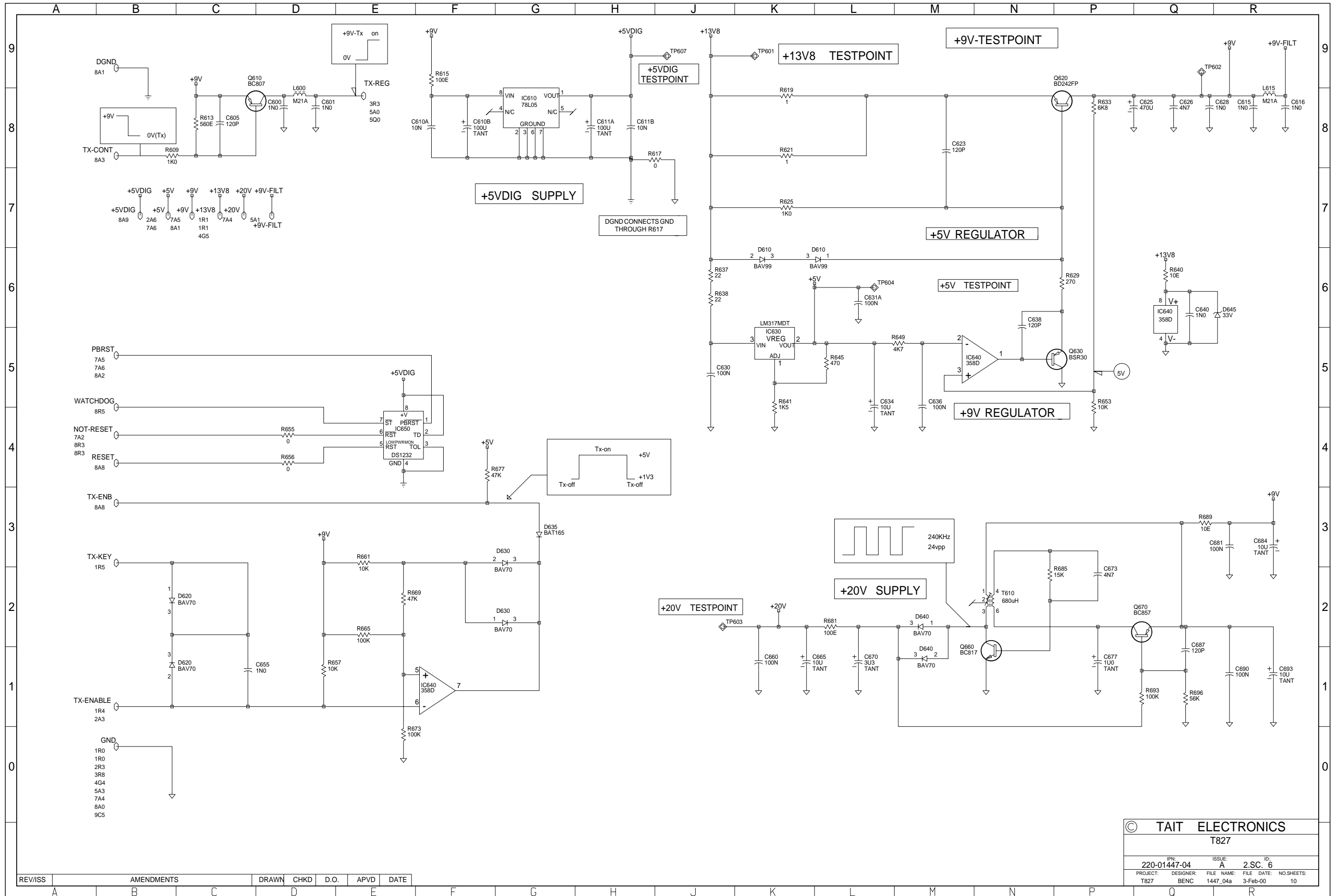


Sheet 4 - T827 13.8V Supply Filter (PA Cavity)
 220-01447-04

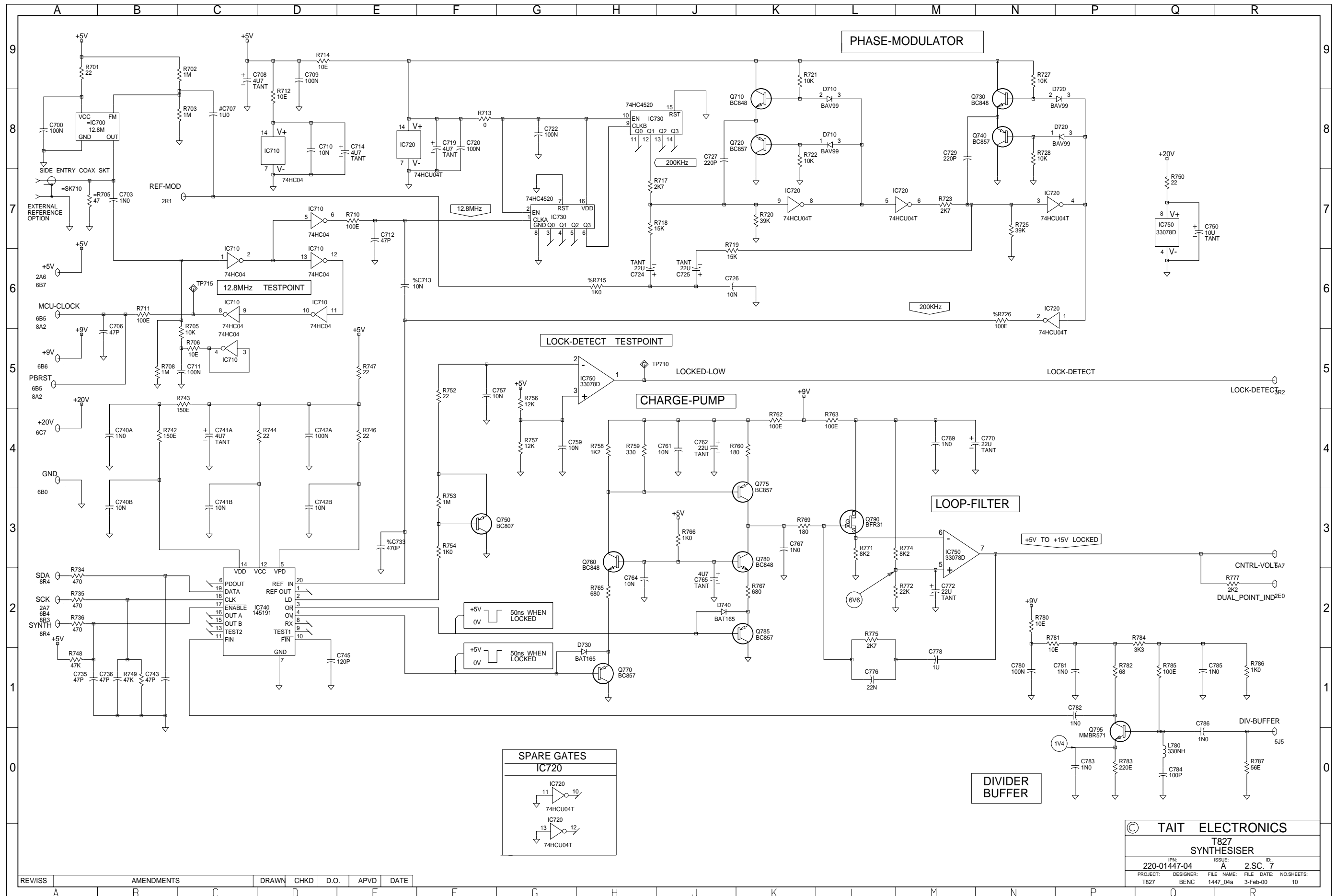


© TAIT ELECTRONICS	
T827	
VCO-SUB-ASSY	
IPN: 220-01447-04	ISSUE: A
DESIGNER: BENC	FILE NAME: 1447_04a
FILE DATE: 3-Feb-00	NO. SHEETS: 10

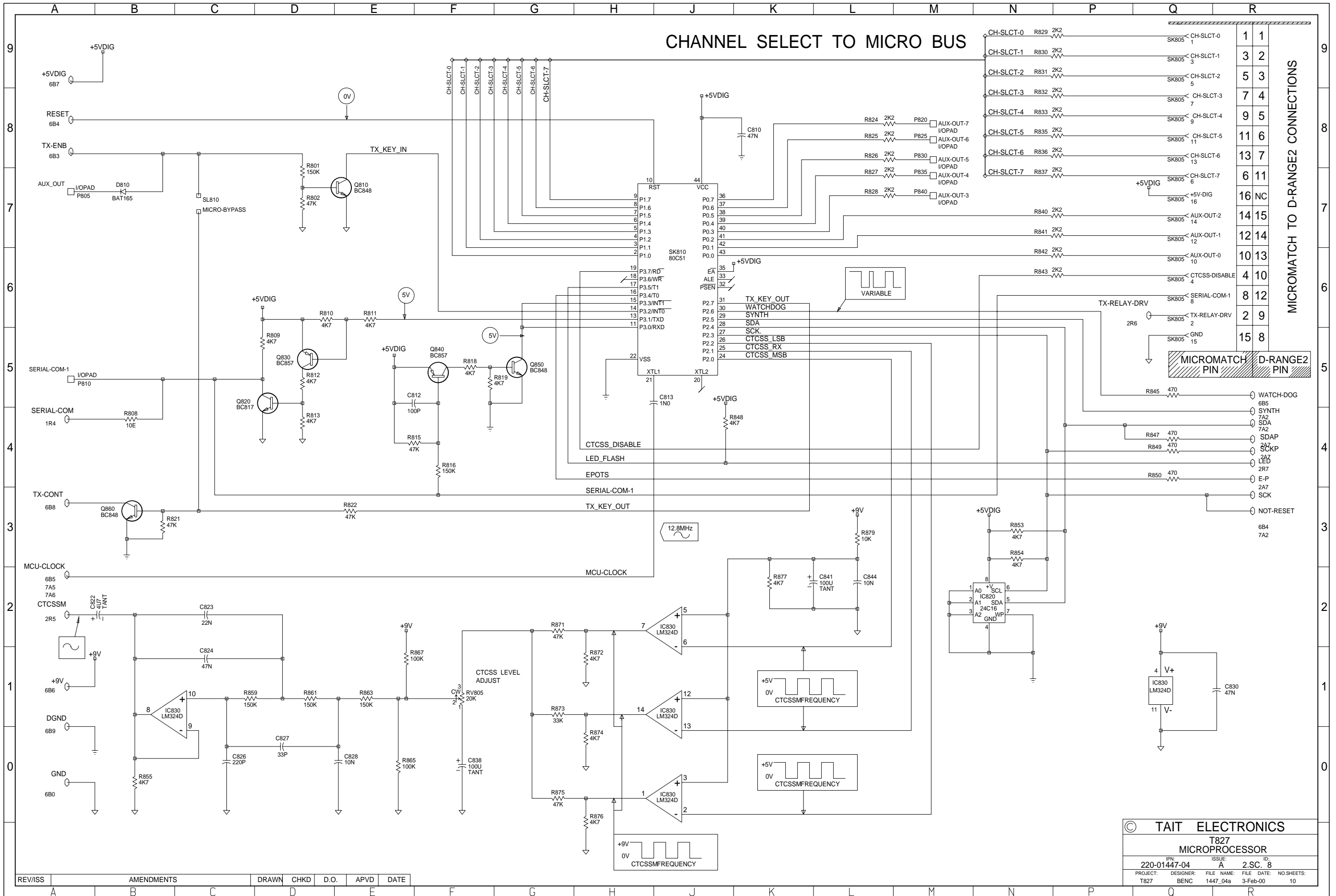
REV/ISS	AMENDMENTS	DRAWN	CHKD	D.O.	APVD	DATE
A						



© TAIT ELECTRONICS			
T827			
IPN:	ISSUE:	FILE:	ID:
220-01447-04	A	1447_04a	2.SC. 6
PROJECT:	DESIGNER:	FILE NAME:	FILE DATE:
T827	BENC	1447_04a	3-Feb-00
NO SHEETS:			
10			

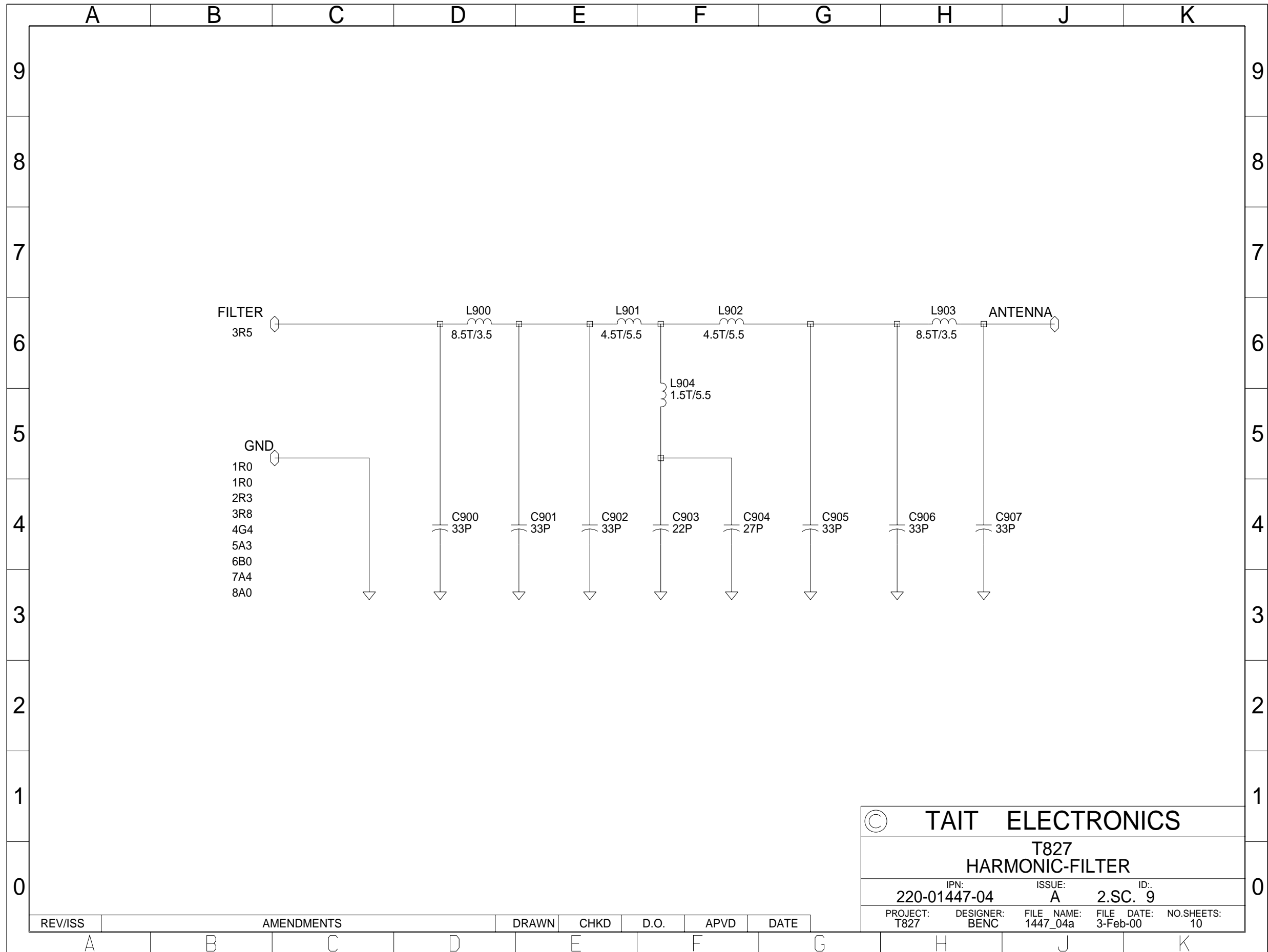


© TAIT ELECTRONICS	
T827 SYNTHESISER	
IPN: 220-01447-04	ISSUE: A 2, SC. 7
PROJECT: T827	DESIGNER: BENC
FILE NAME: 1447_04a	FILE DATE: 3-Feb-00
NO. SHEETS: 10	



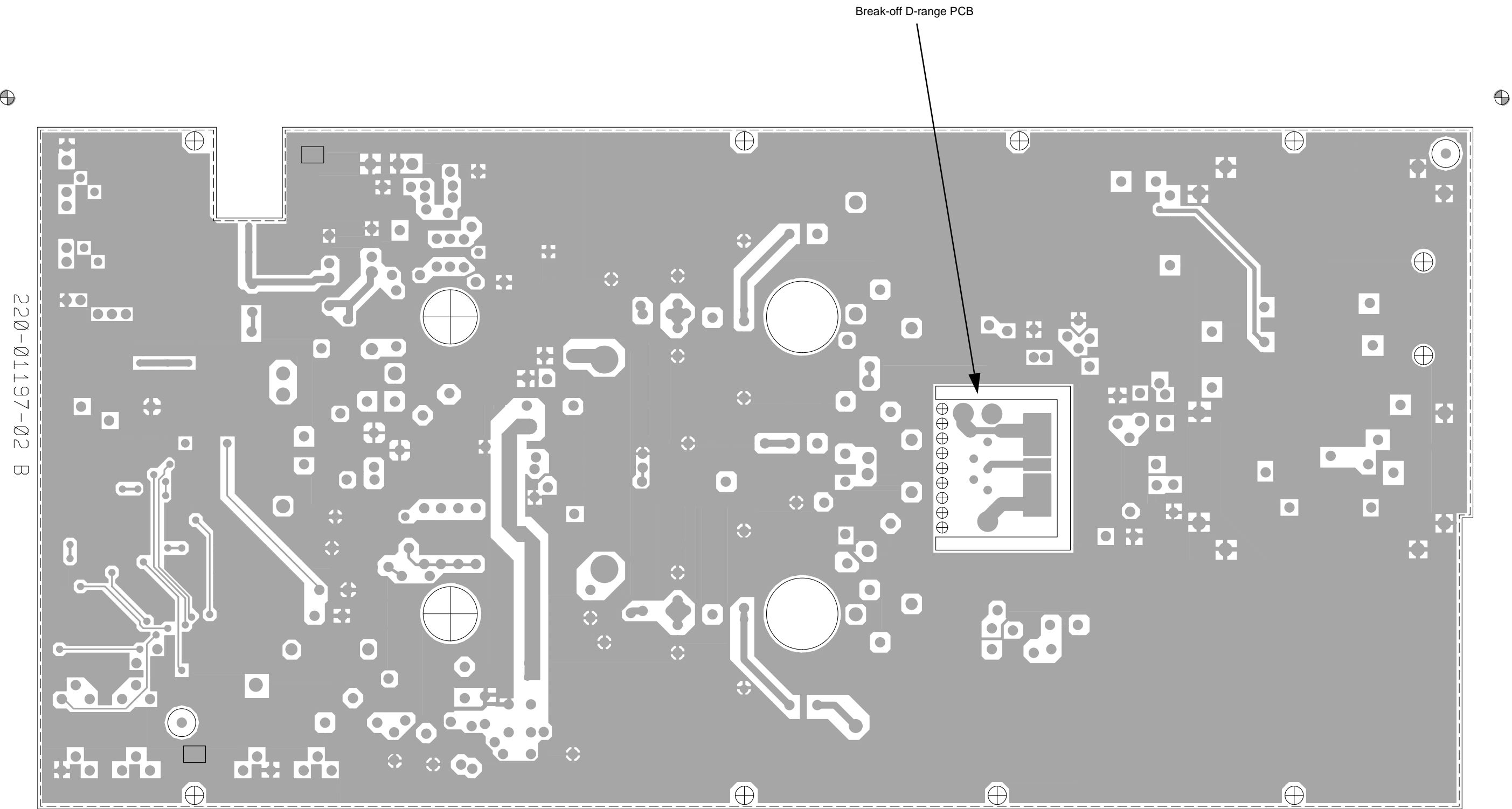
© TAIT ELECTRONICS
T827 MICROPROCESSOR

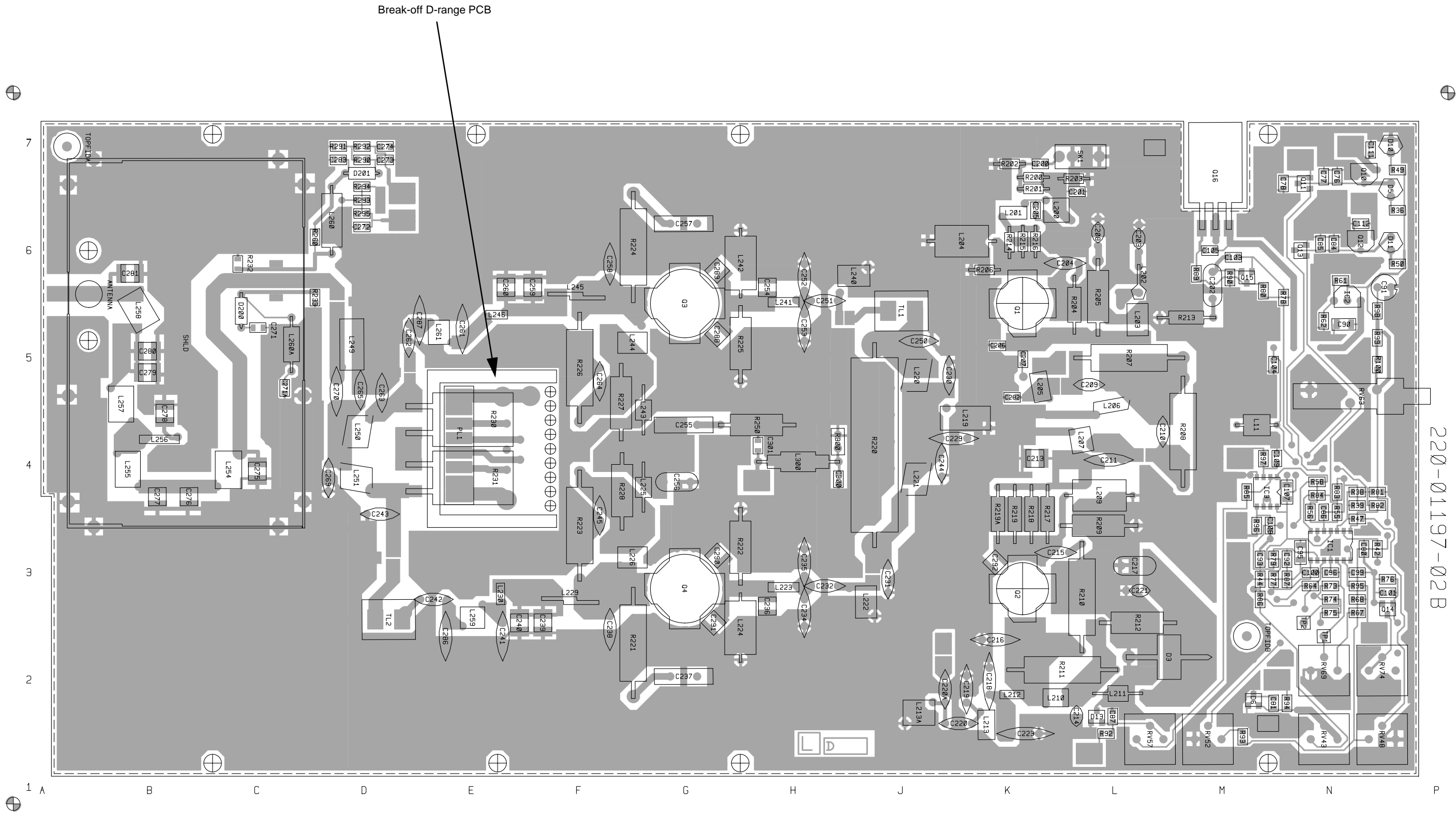
IPN: 220-01447-04	ISSUE: A	REV: 2.S.C. 8
PROJECT: T827	DESIGNER: BENC	FILE NAME: 1447_04a
FILE DATE: 3-Feb-00	NO SHEETS: 10	



© TAIT ELECTRONICS				
T827 HARMONIC-FILTER				
IPN: 220-01447-04		ISSUE: A		ID: 2.SC. 9
PROJECT: T827	DESIGNER: BENC	FILE NAME: 1447_04a	FILE DATE: 3-Feb-00	NO.SHEETS: 10

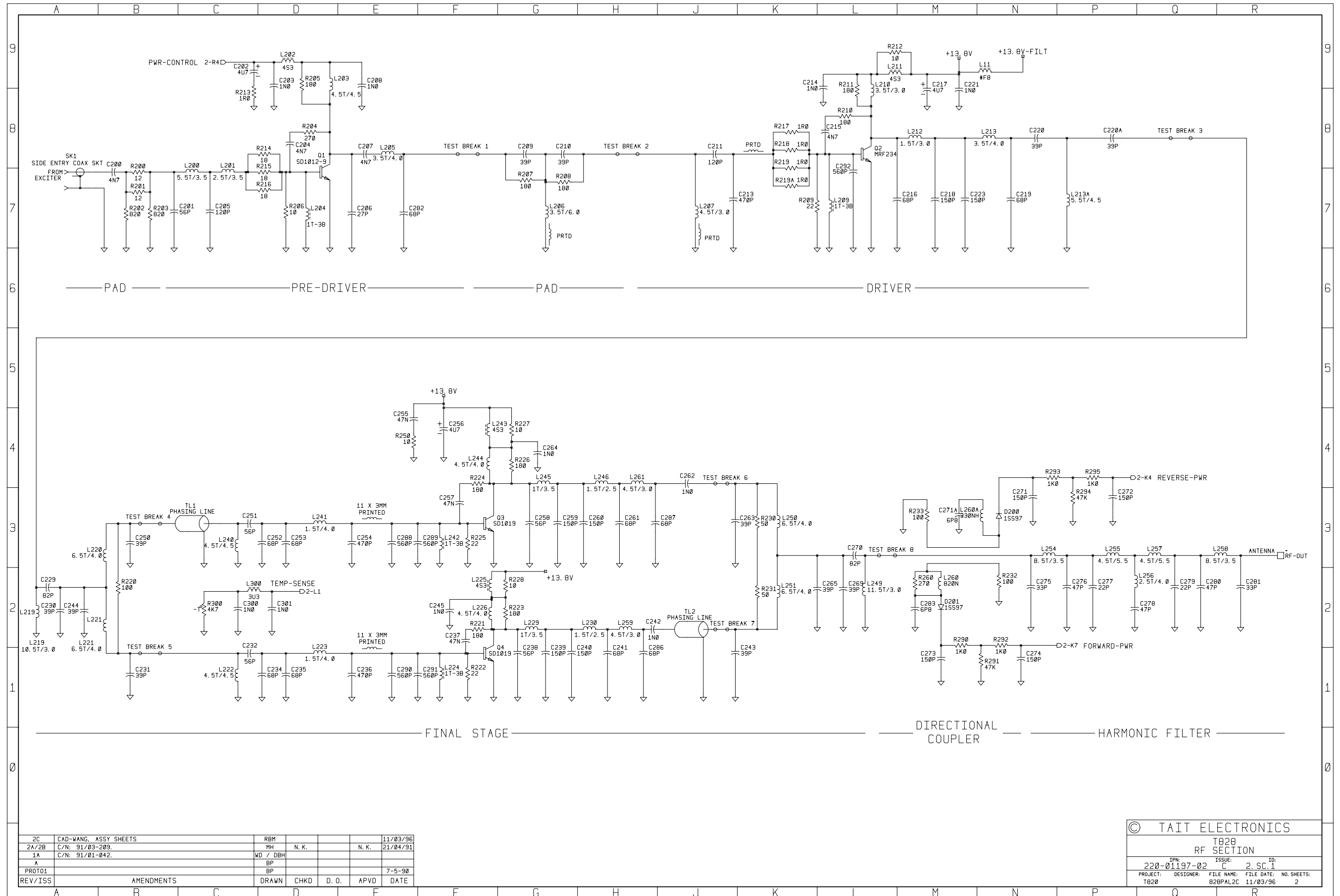
REV/ISS	AMENDMENTS	DRAWN	CHKD	D.O.	APVD	DATE
---------	------------	-------	------	------	------	------





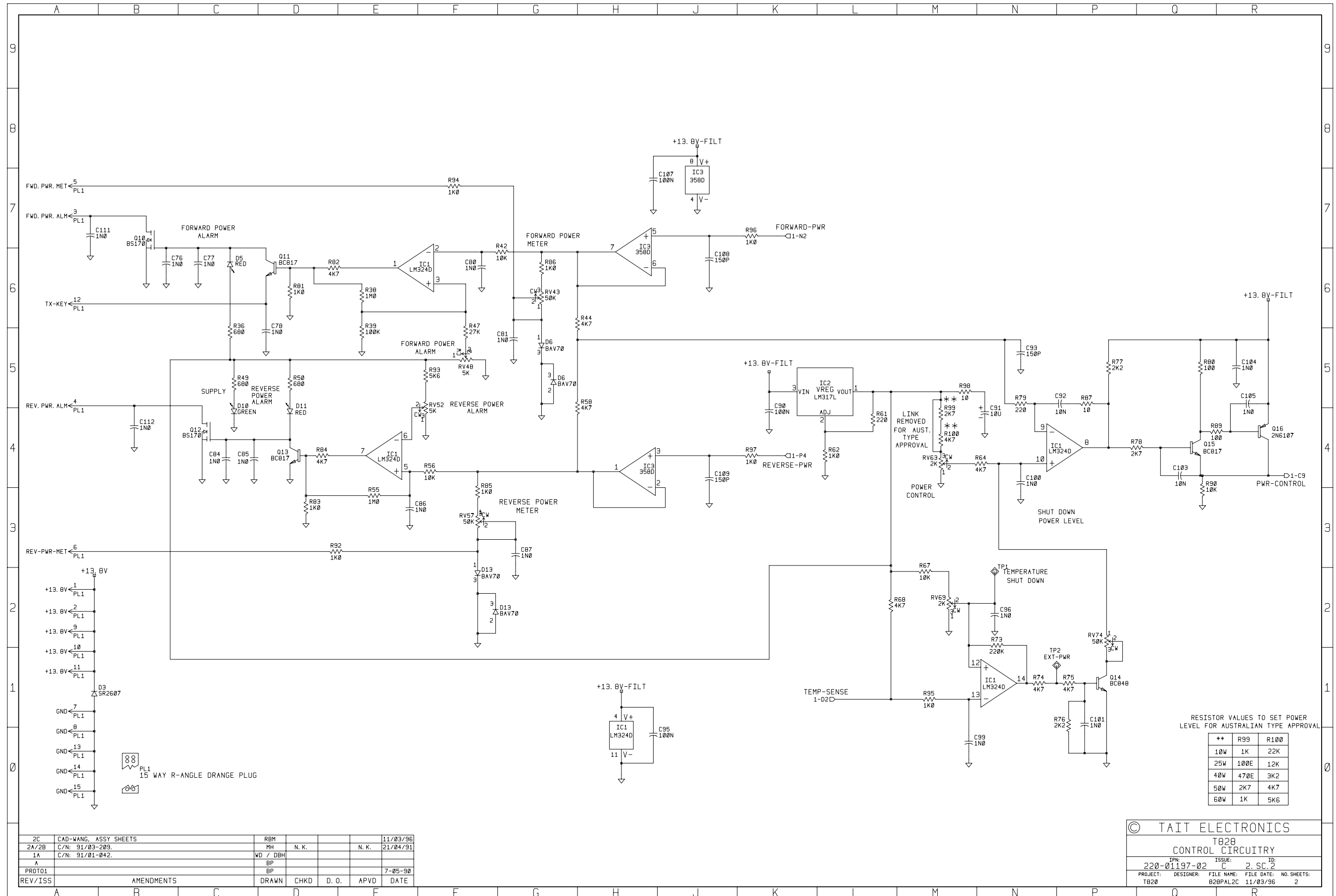
220-01197-02 B

T828 PCB Layout - Top Side
220-01197-02



2C	CAD-WANG, ASSY SHEETS	RBM			11/03/96
2A/2B	C/N: 91/03-209.	MH	N. K.		21/04/91
1A	C/N: 91/01-042.	WD / DBH			
A		BP			
PROT01		BP			7-5-98
REV/ISS	AMENDMENTS	DRAWN	CHKD	D. O.	APVD DATE

© TAIT ELECTRONICS			
T828 RF SECTION			
IPN:	ISSUE:	ID:	
220-01197-02	C	2. SC.1	
PROJECT:	DESIGNER:	FILE NAME:	FILE DATE: NO. SHEETS:
T828		020PAL2C	11/03/96 2



2C	CAD-WANG, ASSY SHEETS	RBM			11/03/96
2A/2B	C/N: 91/03-209.	MH	N. K.		21/04/91
1A	C/N: 91/01-042.	WD / DBH			
A		BP			
PROT01		BP			7-05-90
REV/ISS	AMENDMENTS	DRAWN	CHKD	D. O.	APVD DATE

© TAIT ELECTRONICS
T828 CONTROL CIRCUITRY
IPN: 220-01197-02 ISSUE: C ID:
PROJECT: T820 DESIGNER: B2BPAL2C FILE DATE: 11/03/96 NO. SHEETS: 2

