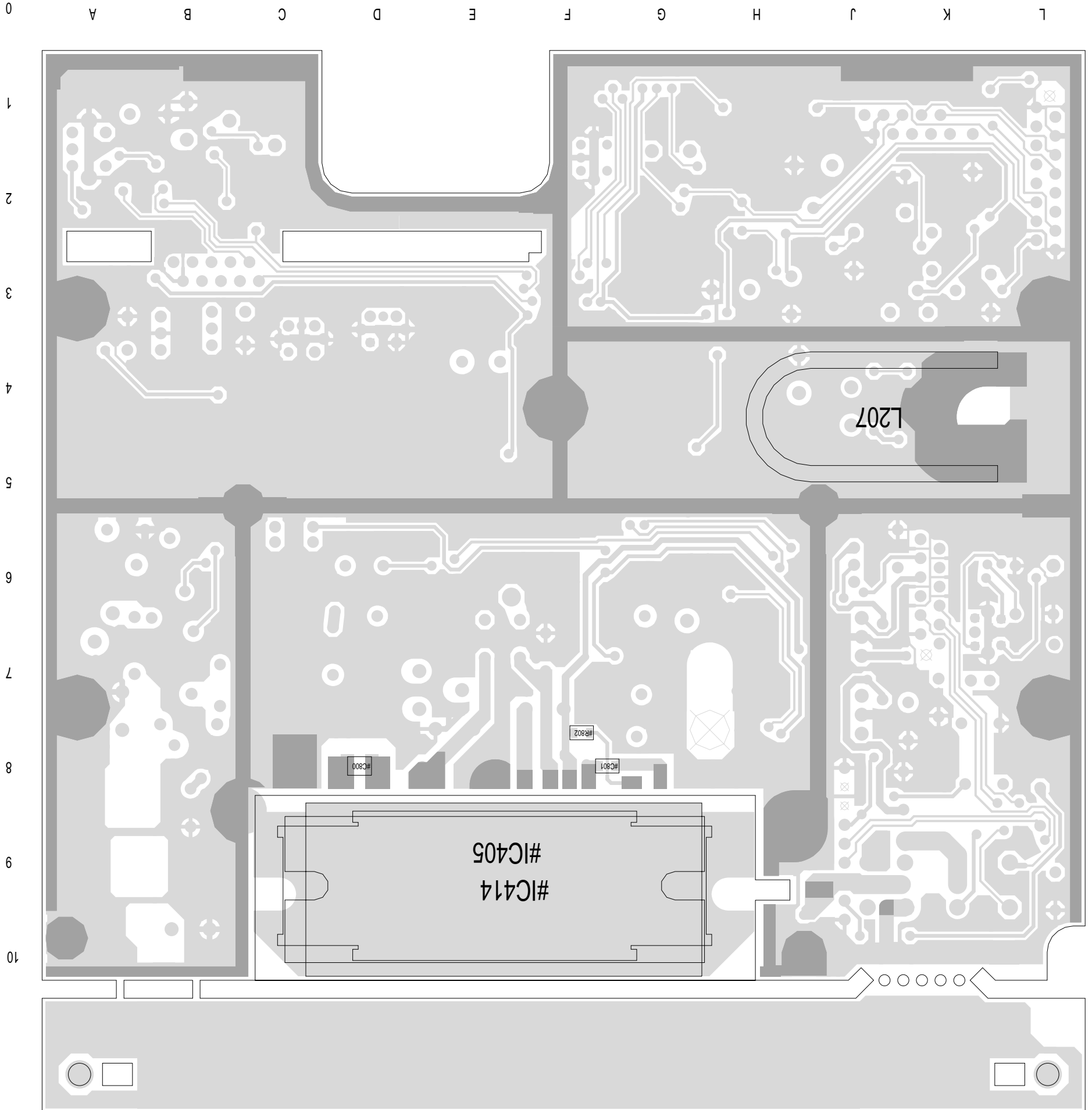


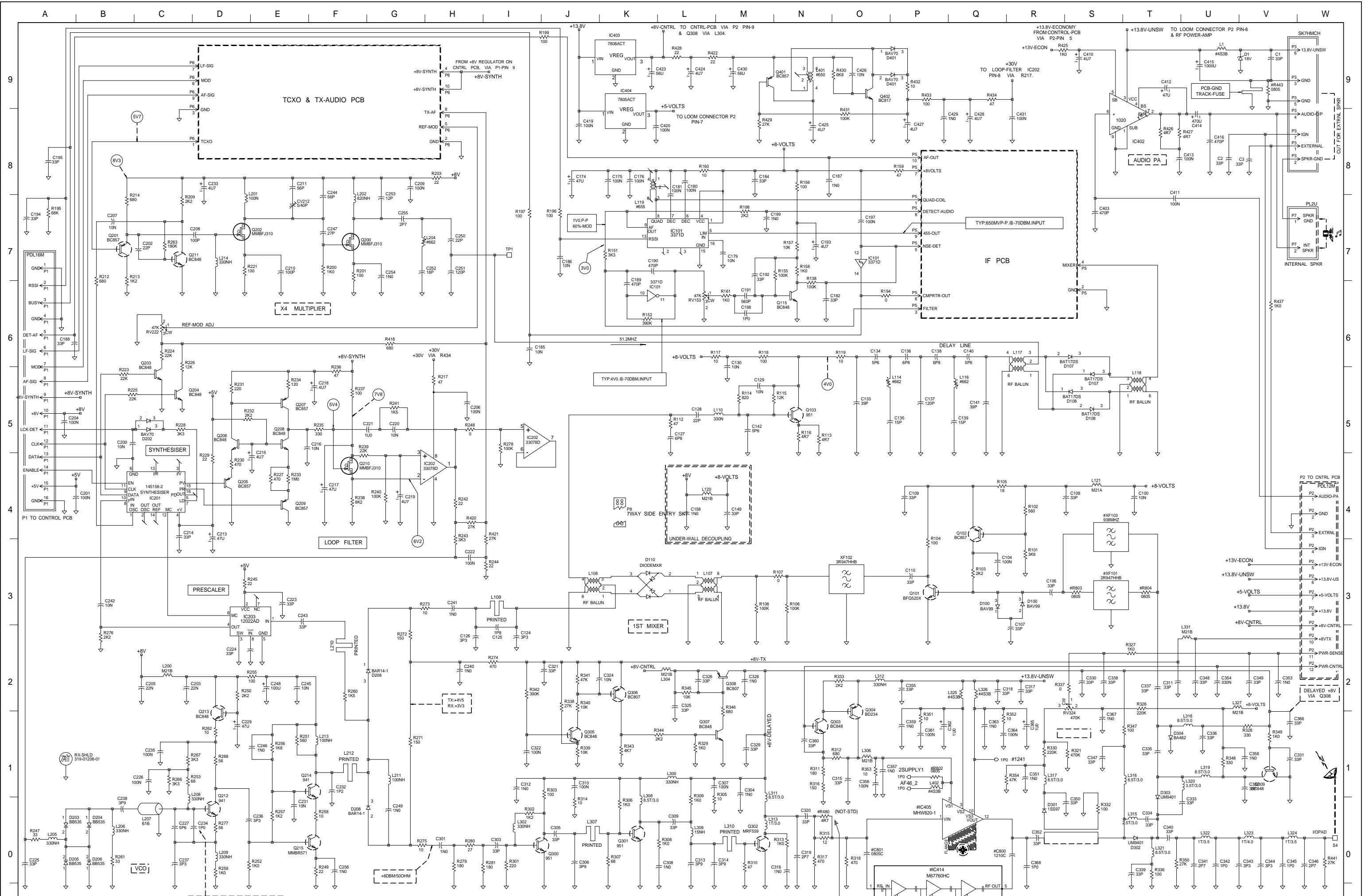
TAIT ELECTRONICS IPN: 220-01612-01 ISS: A ID: 1.TA DATE: 16 Aug 1999  
 161201A PCB LAYOUT - TOP SIDE

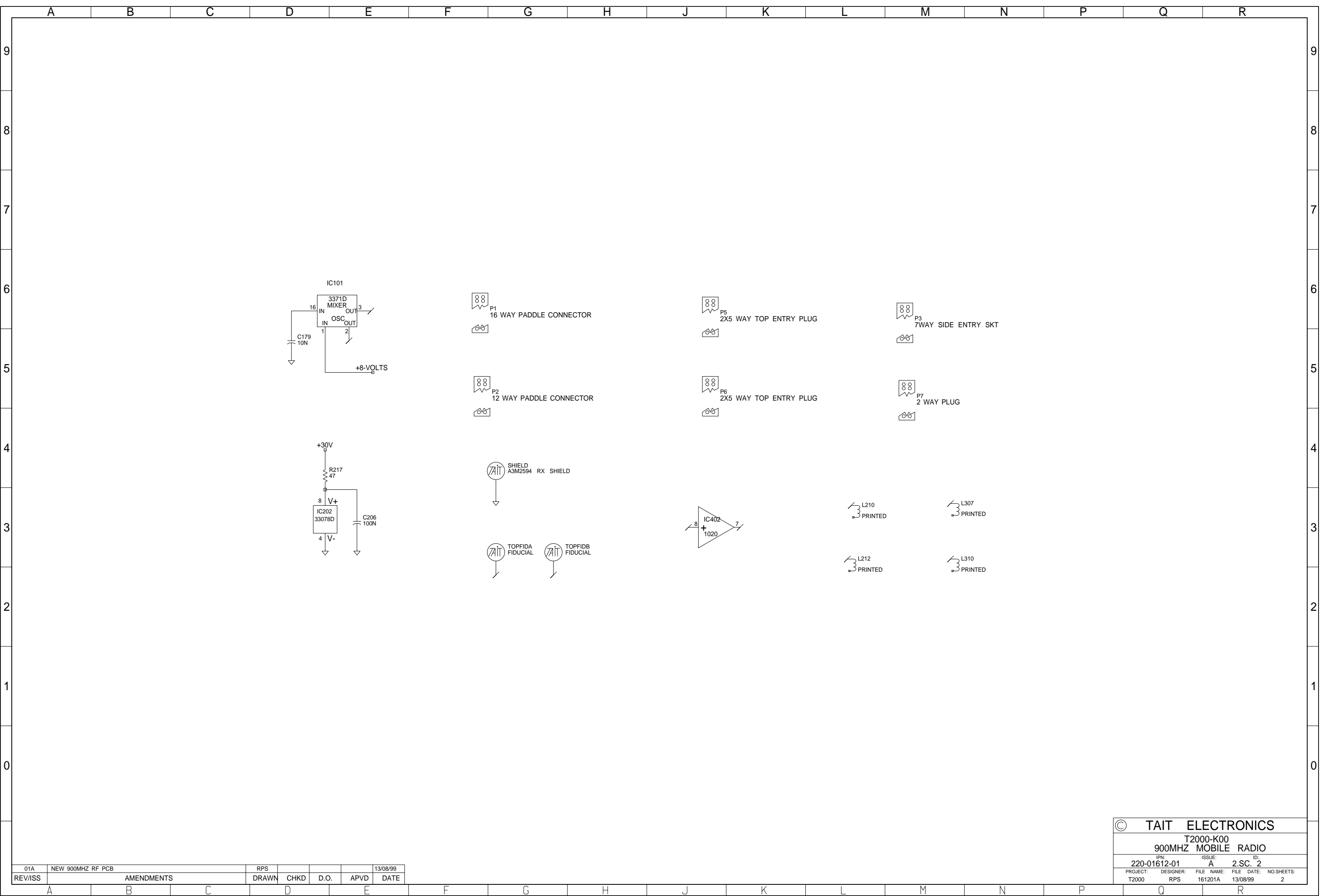
Scale: 1:7.1 ; Rotation: 270 degrees



<b>TAIT ELECTRONICS</b>	IPN: 220-01612-01	ISS: A	ID: 2.BA	DATE: 16 Aug 1999
	161201A PCB LAYOUT - BOTTOM SIDE			

Scale: 1.7:1 ; Rotation: 270 degrees

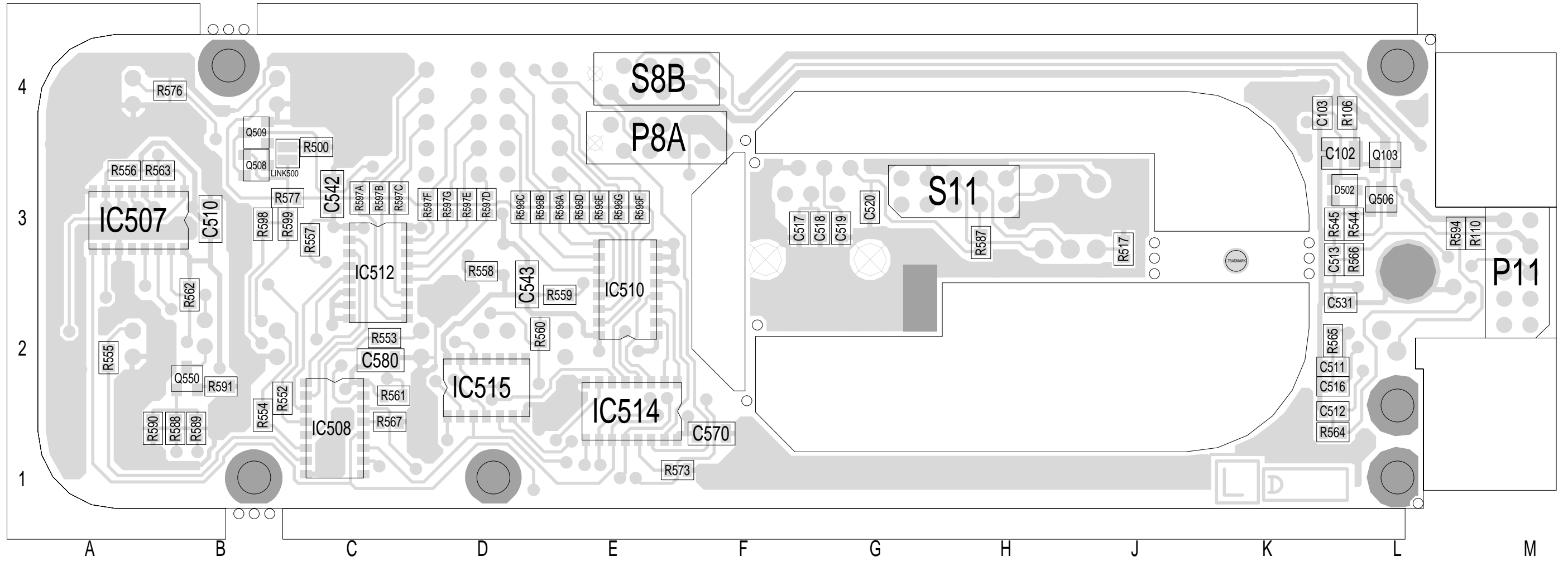




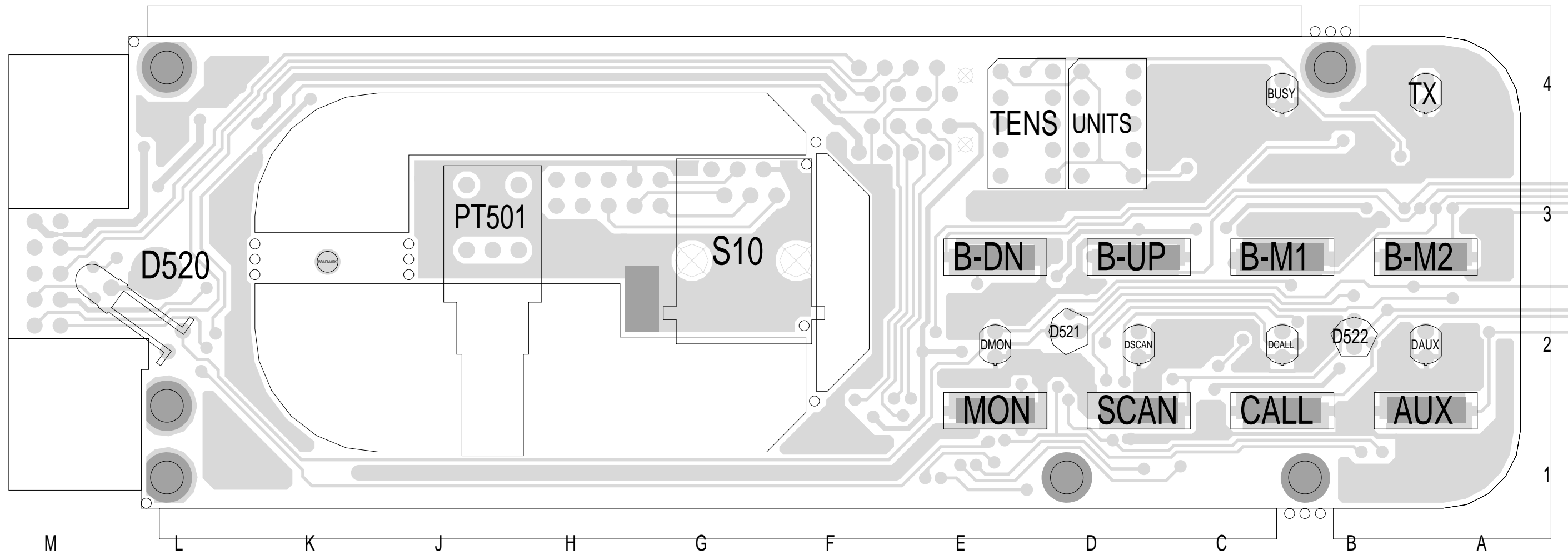
01A	NEW 900MHZ RF PCB	RPS				13/08/99
REV/ISS	AMENDMENTS	DRAWN	CHKD	D.O.	APVD	DATE

© TAIT ELECTRONICS					
T2000-K00					
900MHZ MOBILE RADIO					
IPN:	ISSUE:	ID:			
220-01612-01	A	2.SC. 2			
PROJECT:	DESIGNER:	FILE NAME:	FILE DATE:	NO.SHEETS:	
T2000	RPS	161201A	13/08/99	2	

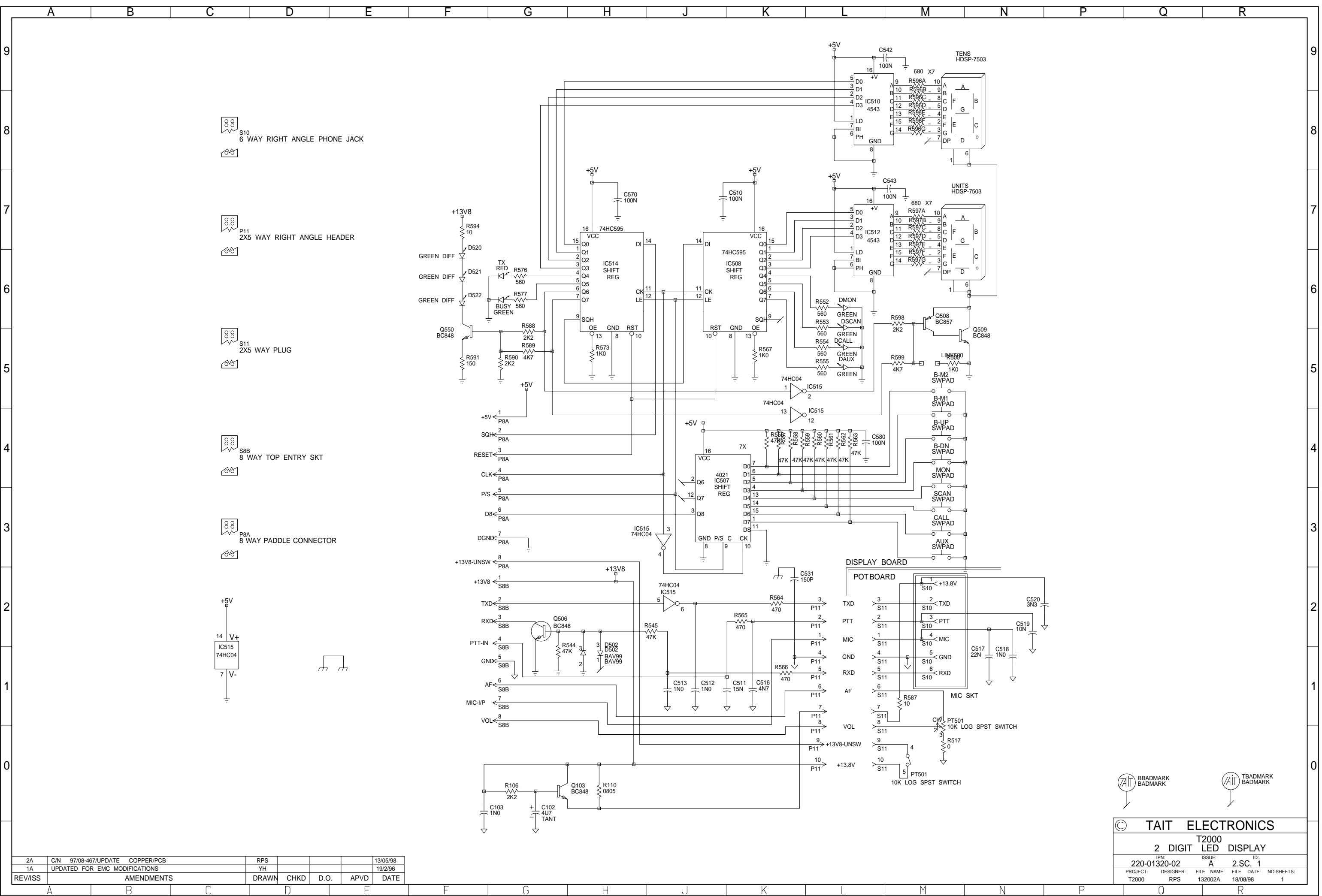
IPN: 220-01320-02 ISS: A



<b>TAIT ELECTRONICS</b>	IPN: 220-01320-02	ISS: 0	ID: 1.TA	DATE: 19 Aug 1998
2 DIGIT LED PCB LAYOUT - TOP SIDE				



TAIT ELECTRONICS	IPN: 220-01320-02	ISS: 0	ID: 2.BA	DATE: 19 Aug 1998
2 DIGIT LED PCB LAYOUT - BOTTOM SIDE				



9  
8  
7  
6  
5  
4  
3  
2  
1  
0

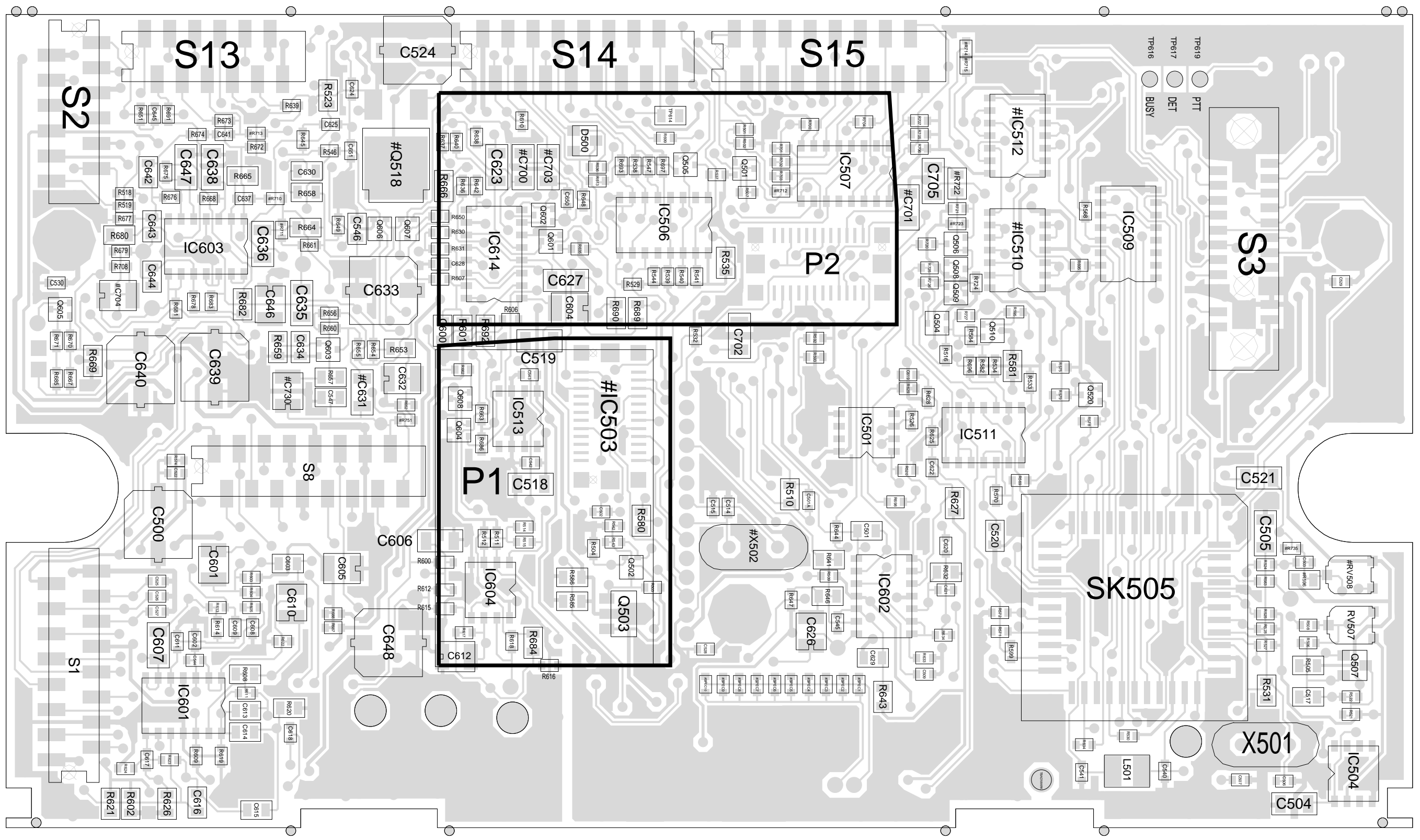
9  
8  
7  
6  
5  
4  
3  
2  
1  
0

2A	C/N 97/08-467/UPDATE COPPER/PCB	RPS			13/05/98
1A	UPDATED FOR EMC MODIFICATIONS	YH			19/2/96
REV/ISS	AMENDMENTS	DRAWN	CHKD	D.O.	APVD DATE

**TAIT ELECTRONICS**  
 T2000  
**2 DIGIT LED DISPLAY**  
 IPN: 220-01320-02    ISSUE: A    ID: 2.S.C. 1  
 PROJECT: T2000    DESIGNER: RPS    FILE NAME: 132002A    FILE DATE: 18/08/98    NO.SHEETS: 1

1 2 3 4 5 6 7 8 9 10 11 12 13 14 15 16 17 18 19 20 21 22 23

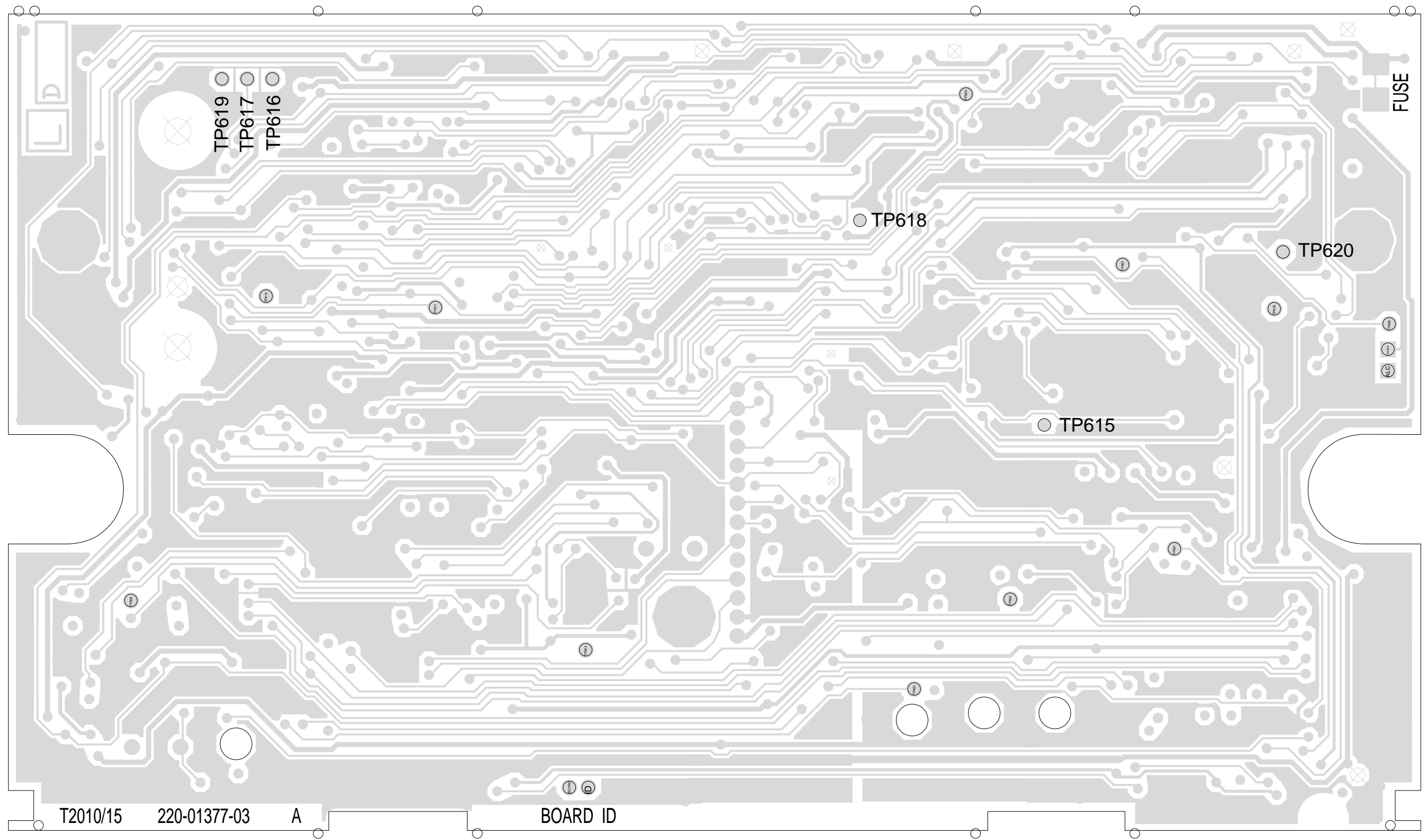
A  
B  
C  
D  
E  
F  
G  
H  
J  
K  
L  
M  
N  
P



**T2000 ENHANCED COMMON CONTROL PCB**  
 IPN: 220-01377-03 ISSUE: A

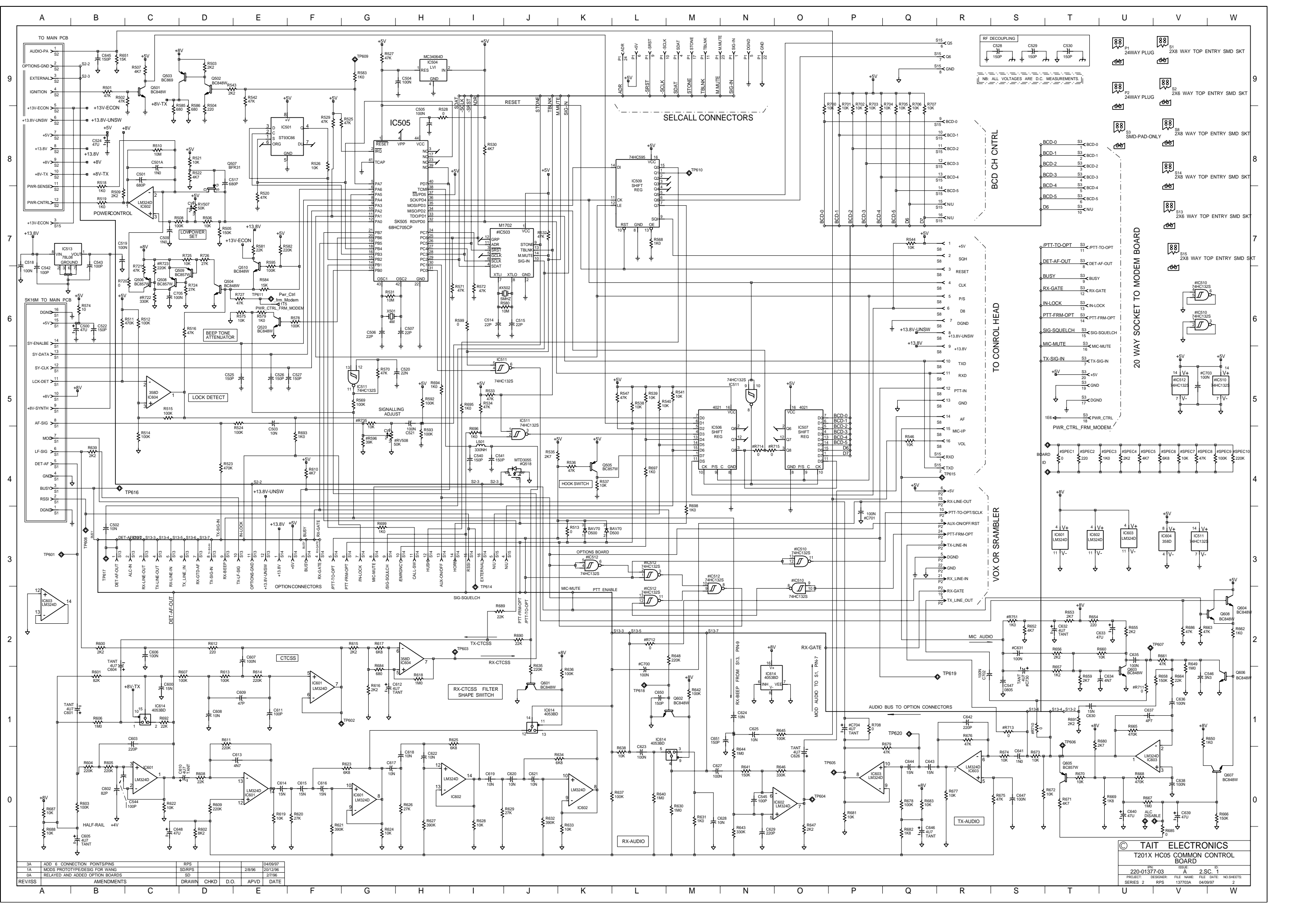


23 22 21 20 19 18 17 16 15 14 13 12 11 10 9 8 7 6 5 4 3 2 1



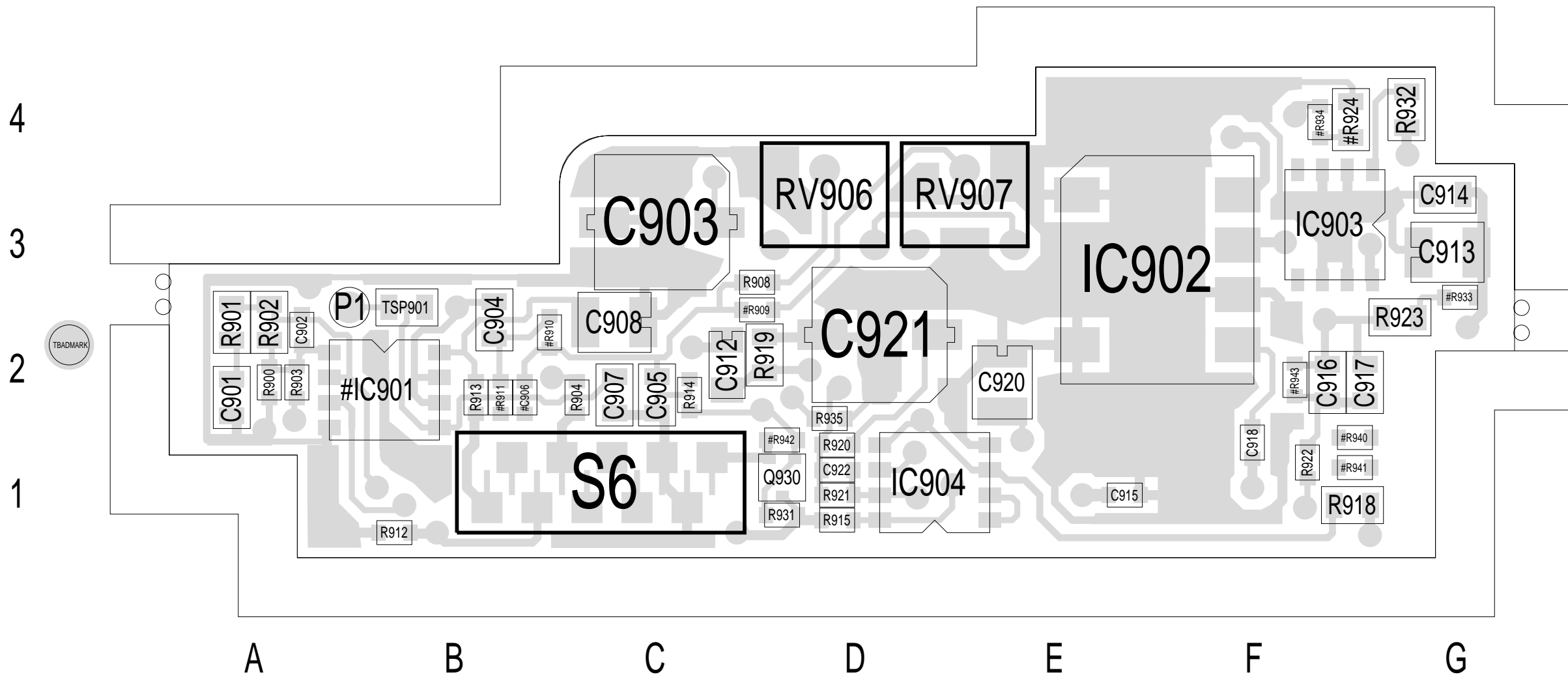
A  
B  
C  
D  
E  
F  
G  
H  
J  
K  
L  
M  
N  
P

**T2000 ENHANCED COMMON CONTROL PCB**  
IPN: 220-01377-03 ISSUE: A

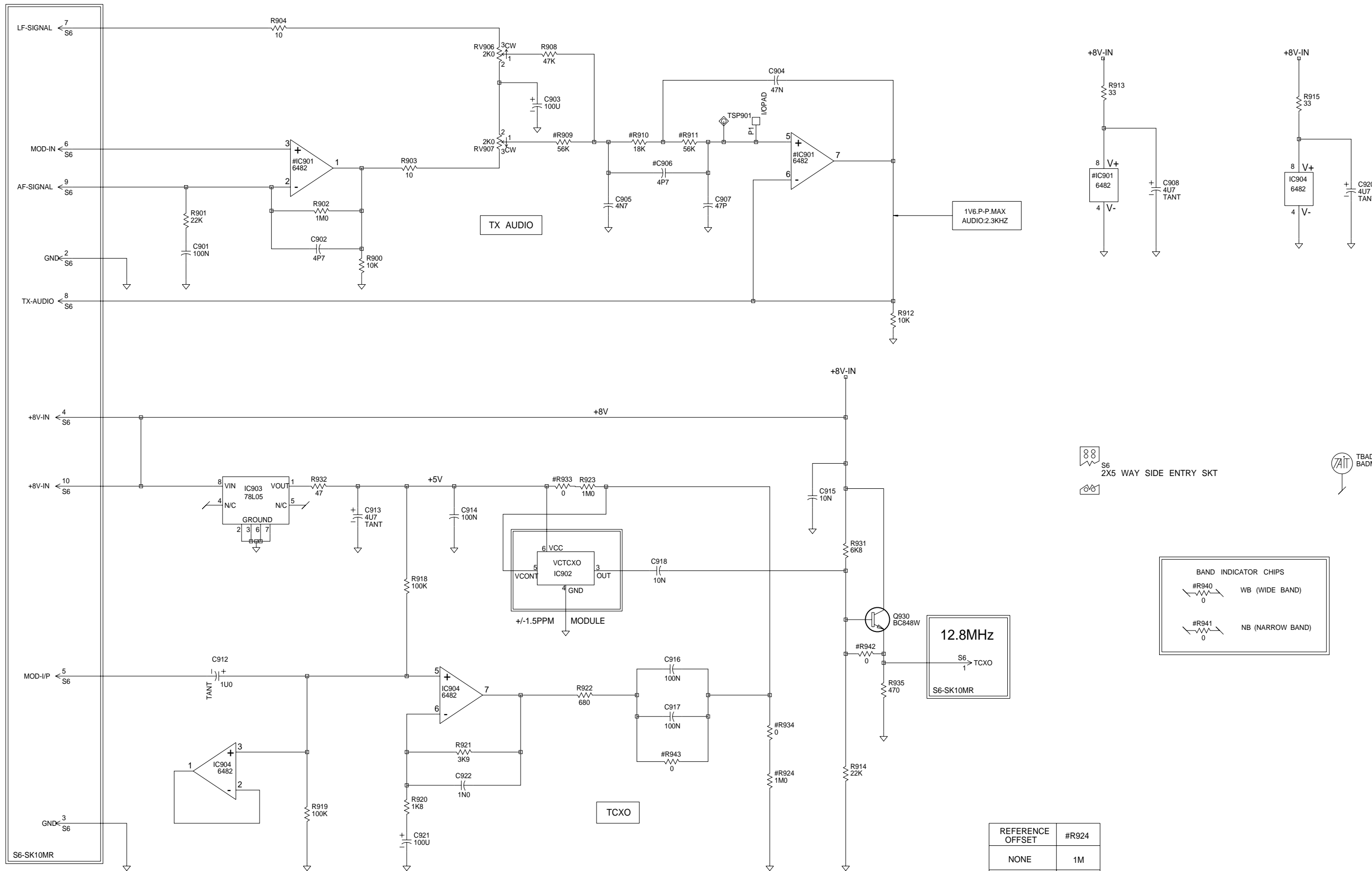


3A	ADD 6 CONNECTION POINTS/PINS	RPS		04/09/97
1A	MODS PROTOTYPE/DESIGN FOR WANG	SDR/RS		2/8/96
0A	RELAYED AND ADDED OPTION BOARDS	SD		2/7/96
REV/ISS	AMENDMENTS	DRAWN	CHKD	APVD
				DATE

© TAIT ELECTRONICS  
 T201X HC05 COMMON CONTROL BOARD  
 PROJECT: 220-01377-03  
 DESIGNER: RPS  
 FILE NAME: 137703A  
 DATE: 04/09/97  
 SHEETS: 2  
 OF: 2



TAIT ELECTRONICS	IPN: 220-01627-02	ISS: A	ID: 1.TA	DATE: 12 Jan 2000
1.5PPM TCXO PCB LAYOUT - TOP SIDE				



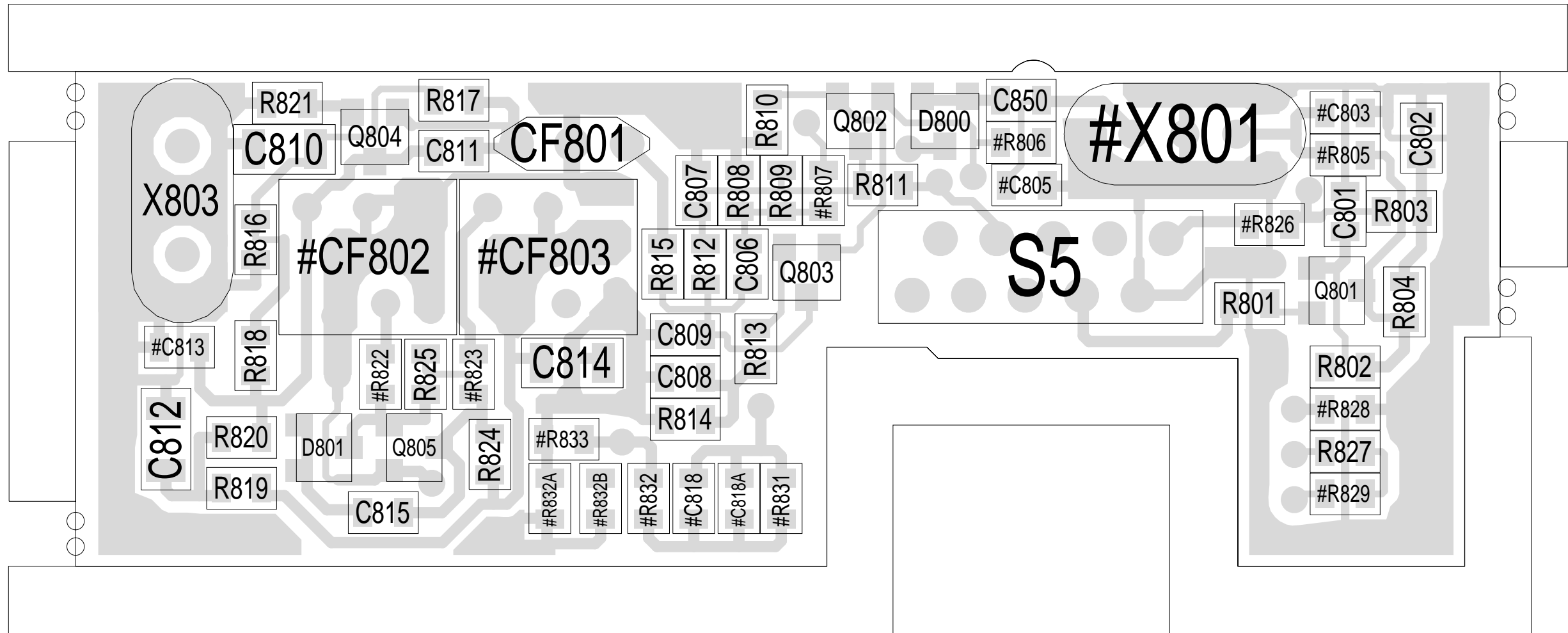
REFERENCE OFFSET	#R924
NONE	1M
6.25 KHZ	2M2

02A	CCO NO.1627-001 Move IC901, Q930, + SIGN FOR C913	TS	11-01-00
01A	CLONED FROM 220-01296-05A	TS	26-11-99
ISSUE:	AMENDMENTS:	DRAWN:	CHKD:
		APVD:	DATE:

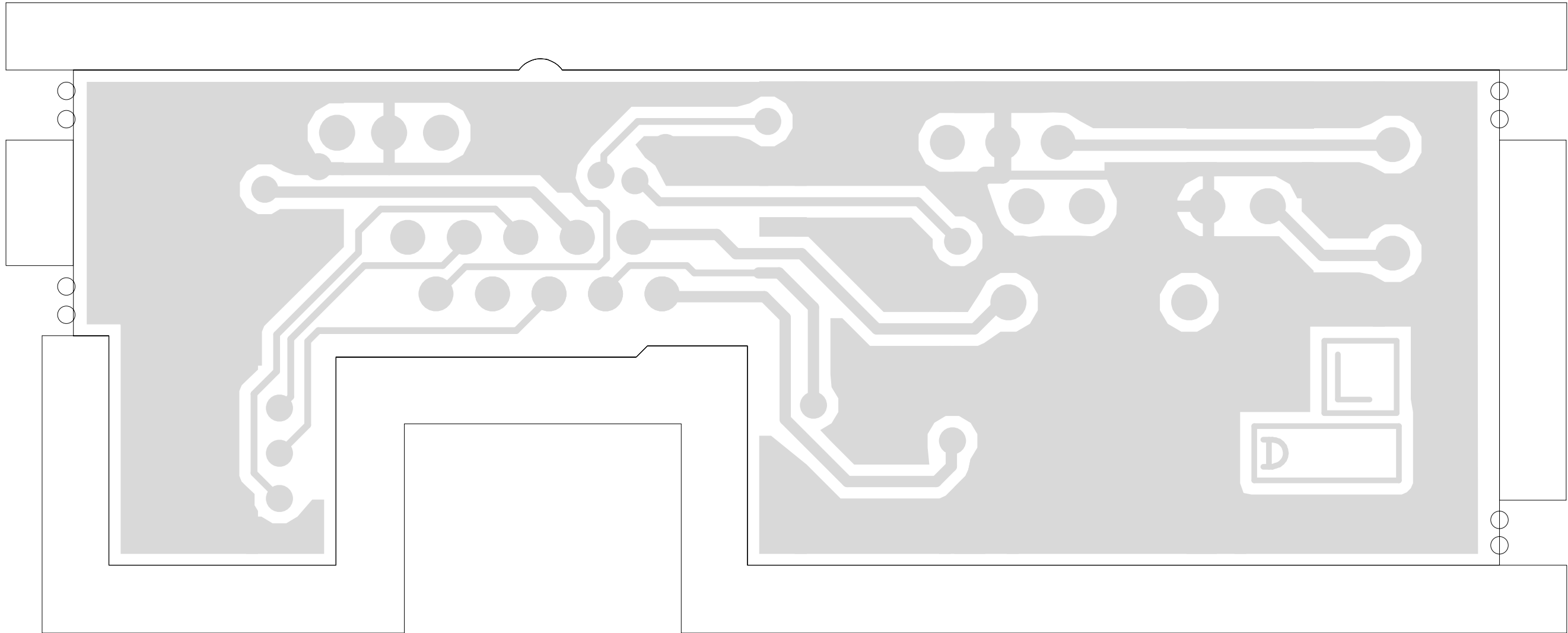
TITLE TAIT ELECTRONICS LTD  
**T2000 +/-1.5PPM SMD TCXO PCB**

TAIT ELECTRONICS NEW ZEALAND

DRAWING NO: 162702A SHEET 1 OF 1 ISSUE A  
 IPN: 220-01627-02  
 FILE NAME: 162702a FILE DATE: 11-Jan-00

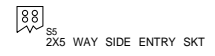
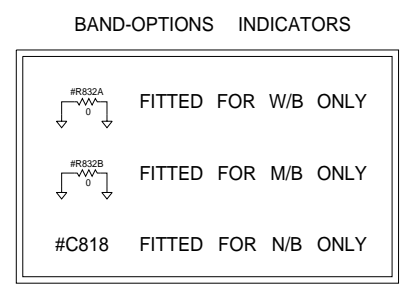
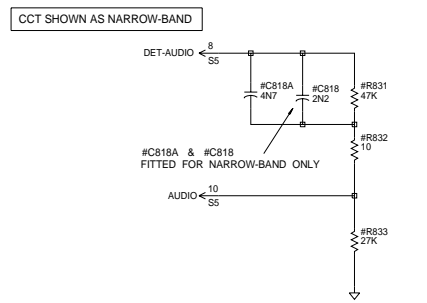
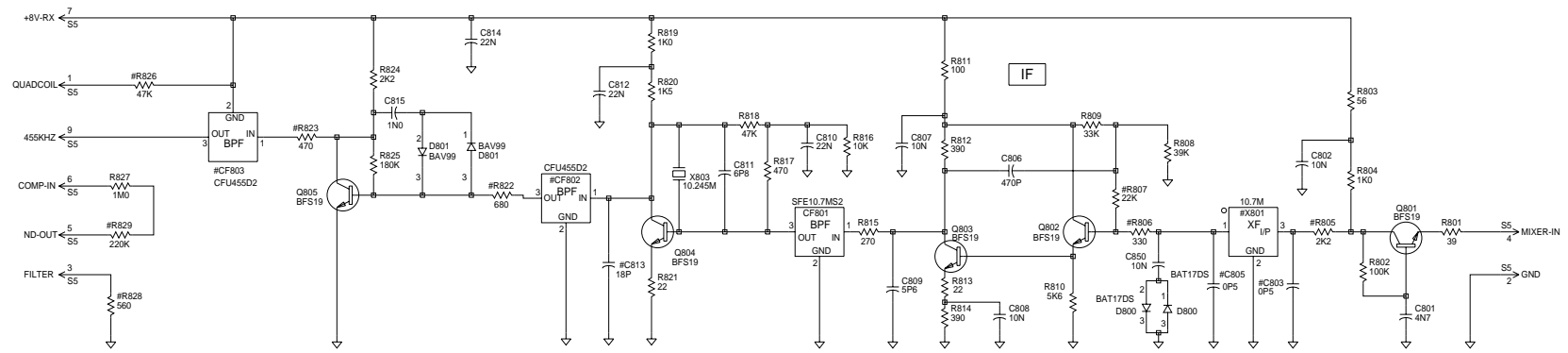


TAIT ELECTRONICS	IPN: 220-01384-01	ISS: 0	ID: 1.TA	DATE: 21 Jul 1998
T2K-IF PCB PCB LAYOUT - TOP SIDE				



BBADMARK

TAIT ELECTRONICS	IPN: 220-01384-01	ISS: 0	ID: 2.BA	DATE: 21 Jul 1998
T2K-IF PCB PCB LAYOUT - BOTTOM SIDE				



01A	MOVE	VIA/S5,CN:97:09-542	RPS			24/07/98
00A	UPDATE OF CIRCUIT REFERENCE		RPS			04/12/96
REV/ISS	AMENDMENTS		DRAWN	CHKD	D.O.	APVD DATE

© TAIT ELECTRONICS					
T2000 SERIES 2					
I F BOARD					
IPN:	ISSUE:	FILE NAME:	FILE DATE:	NO SHEETS:	ID:
220-01384-01	A			2	SC. 1
PROJECT:	DESIGNER:	FILE NAME:	FILE DATE:	NO SHEETS:	
T2000	RPS	138401A	24/07/98	1	