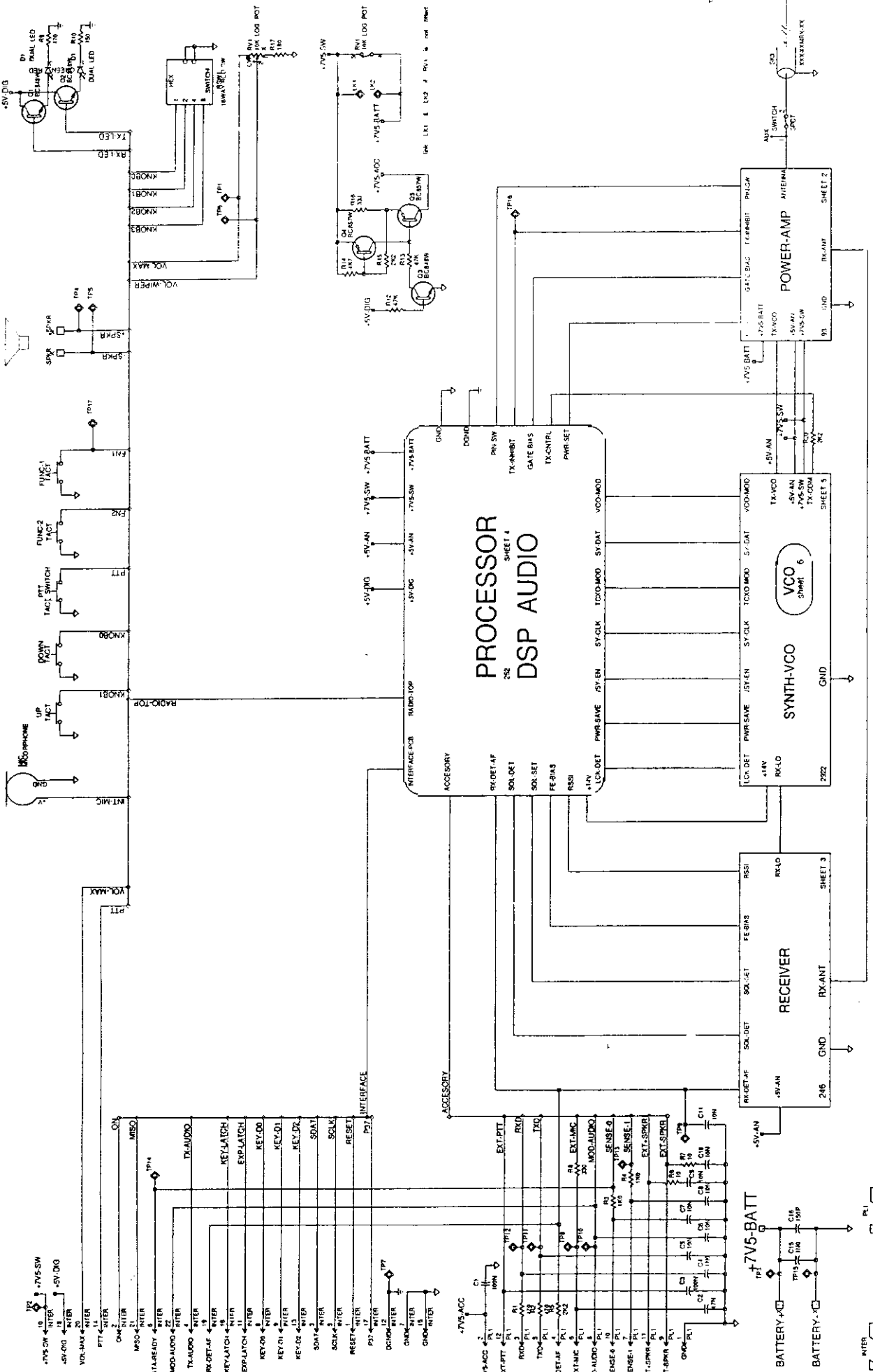


**TAIT ELECTRONICS**

**FCC ID:CASTEL0018  
TAIT ORCA TOP-B2110**

**EXHIBIT 3**

**Schematics, block diagram and circuit description**



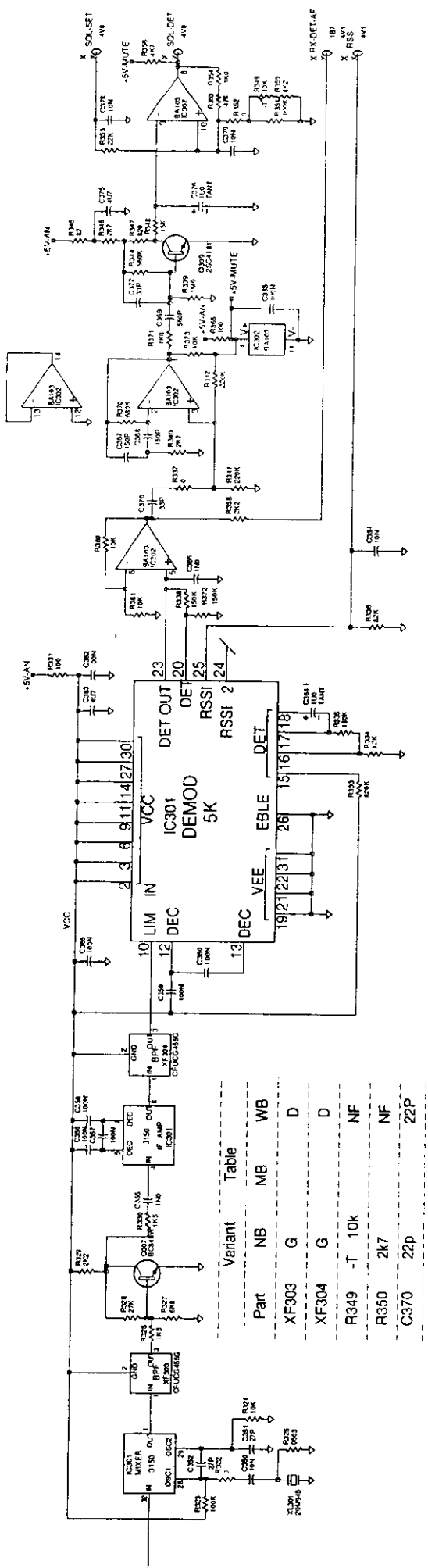
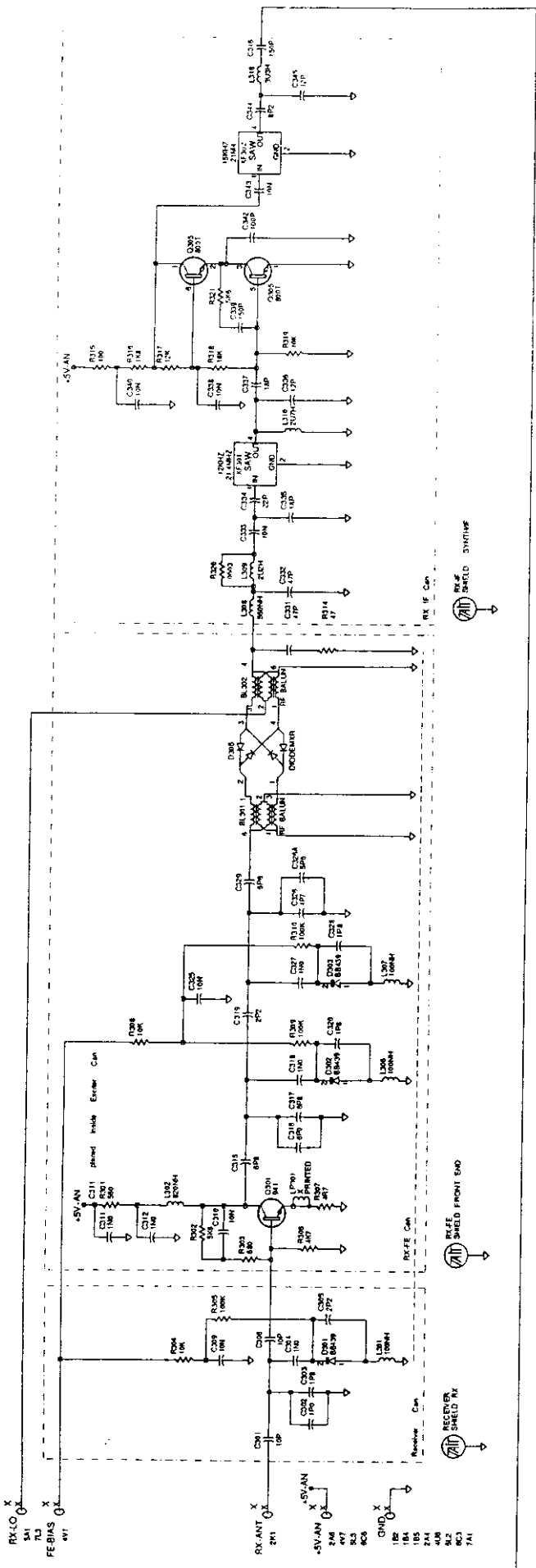
TAIT ELECTRONICS  
 ORCA TPO13122 135-174MHZ  
 SYSTEM DIAGRAM  
 220-01-01-04 Rev B 2.5C  
 TAIT ORCA 081 48008 72 28

VHF  
 Tait Orca

DATE TO: 1981	DATE FROM: 1981	DATE:
DESIGNER: NEW	APPROVED: [Signature]	DATE:
DRAWN: [Signature]	CHECKED: [Signature]	DATE:

SEE PARTS LIST FOR NEW PARTS  
 12 WAY SKT





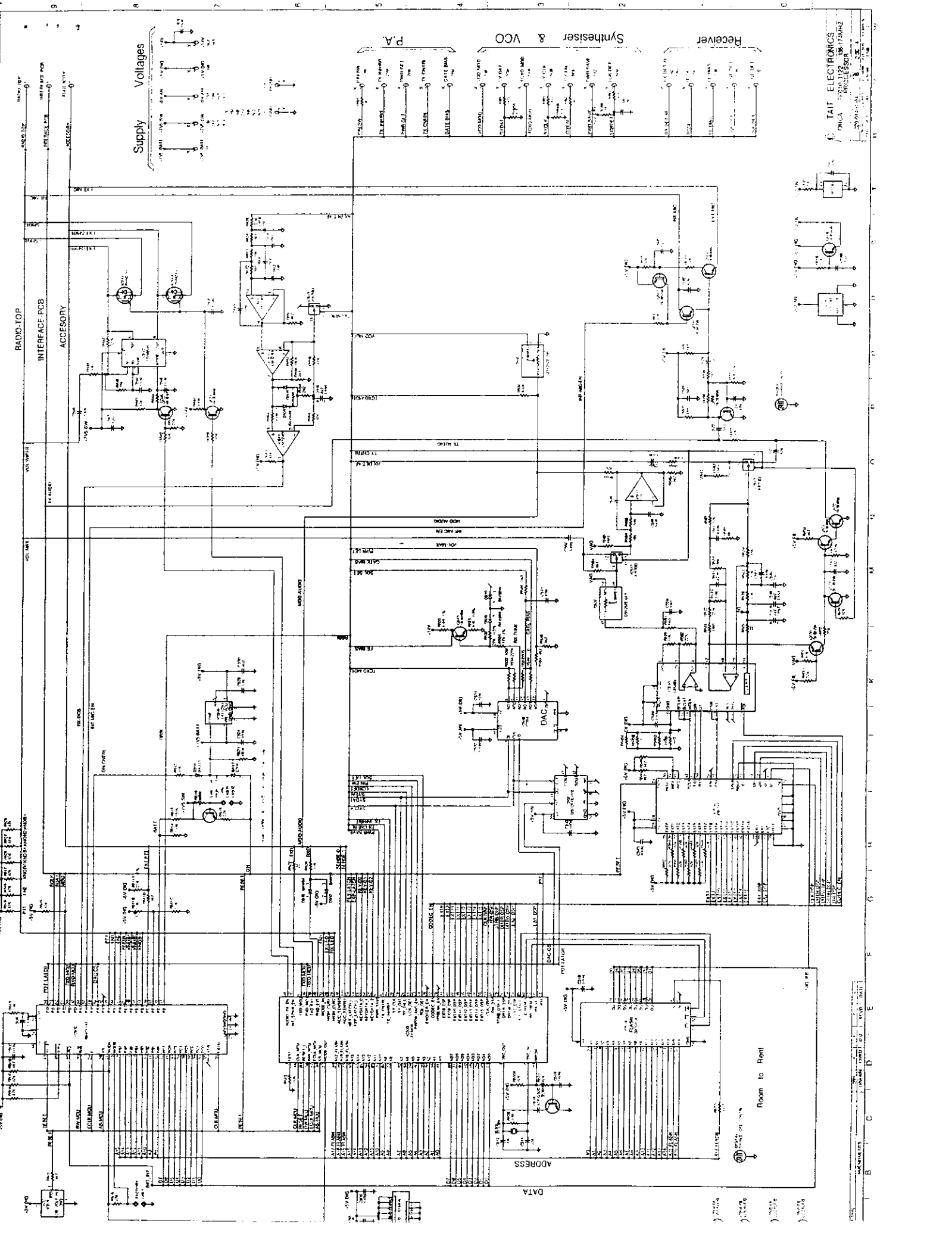
Variant Table

Part	NB	MB	WB
XF303	G	D	D
XF304	G	D	D
R349	-T	10K	NF
R350	2k7	NF	NF
C370	22P	22P	22P
C369	330P	330P	330P

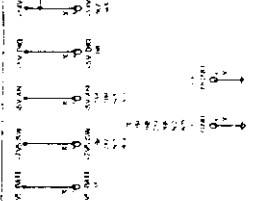
TAIT ELECTRONICS  
ORCA TP010-3122 136-174MHZ  
RECEIVER  
200-01-01-04  
REV. 0  
25C 3  
TAIT ORCA DBK 100488 4238

DATE: 2/8/78  
DRAWN: CHRD  
D.O. APPRO. DATE

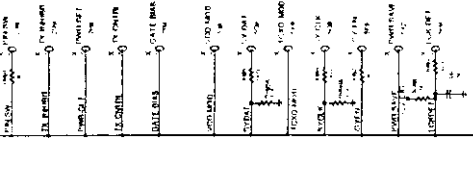
UP-DATE CHANGES IN FRONT END  
AMENDMENTS



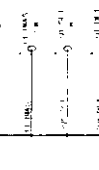
Supply Voltages



Synthesiser & VCO



Receiver



TAIT ELECTRONICS  
PHICA 10001234567890  
12345678901234567890  
12345678901234567890  
12345678901234567890

RADIO TOP

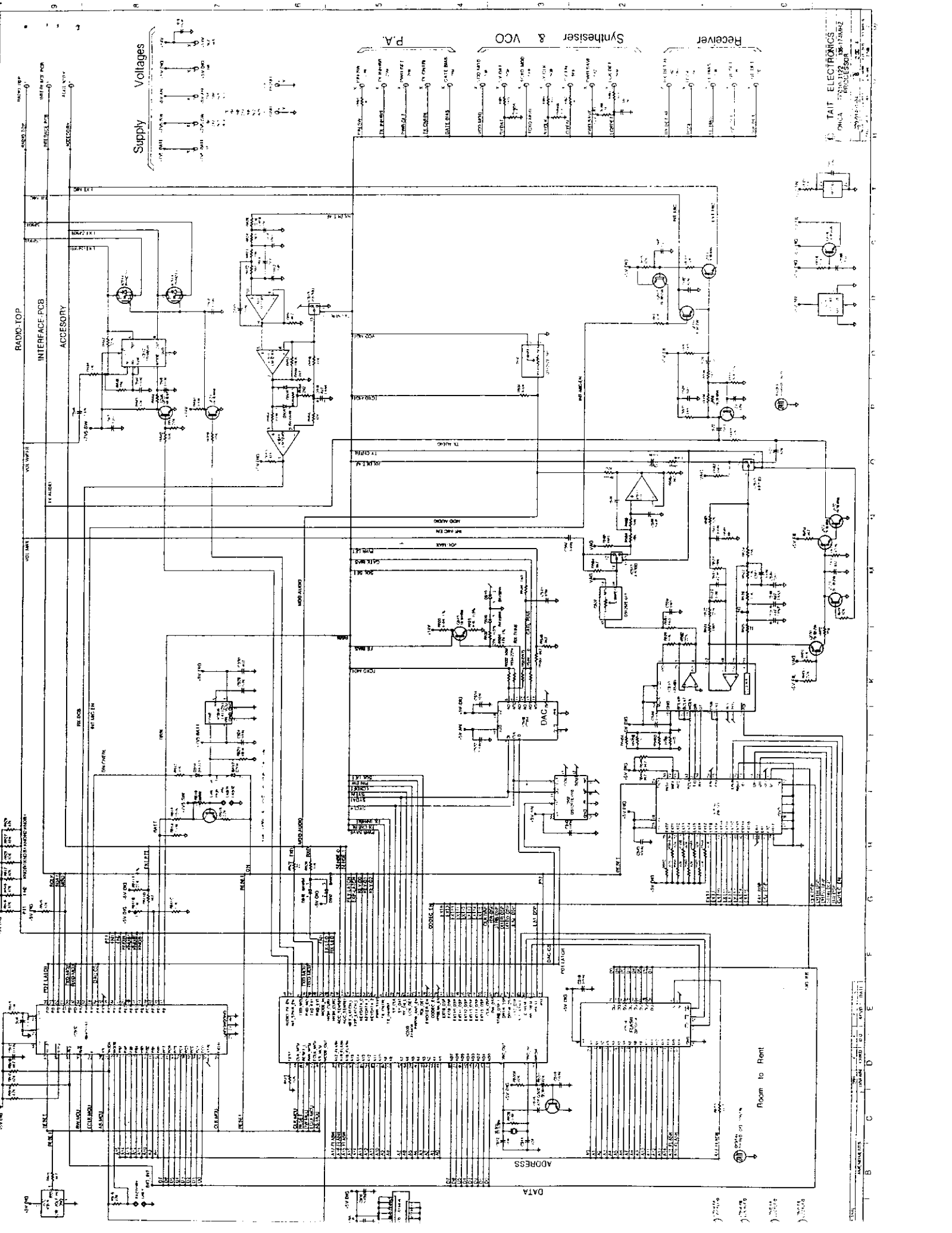
INTERFACE PCB

ACCESSORY

DATA

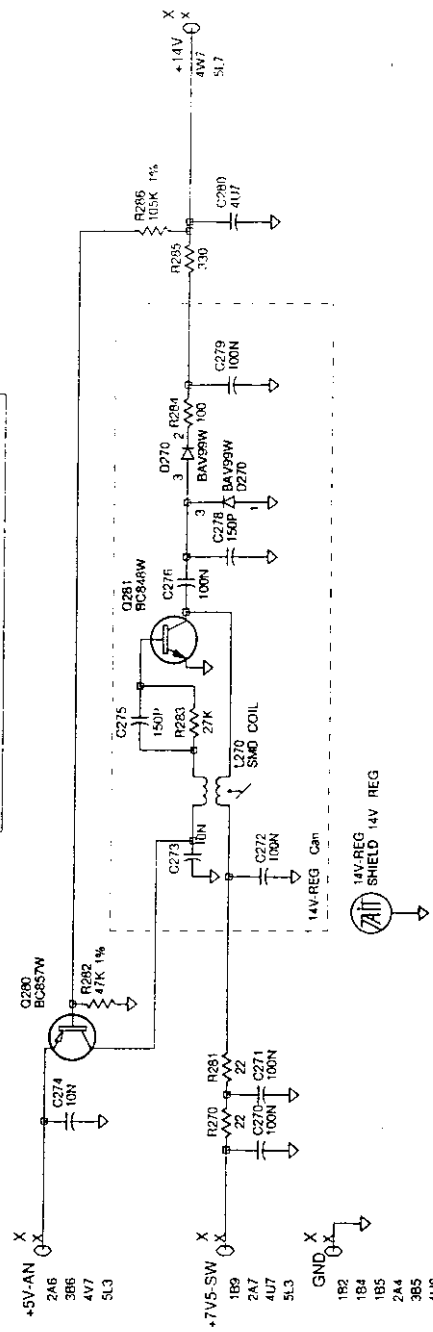
ADDRESS

Room to Rent





+14V Regulator (placed in the processor area)



TAIT ELECTRONICS  
ORCA :TP010-3122 136-174MHZ  
+14V REGULATOR

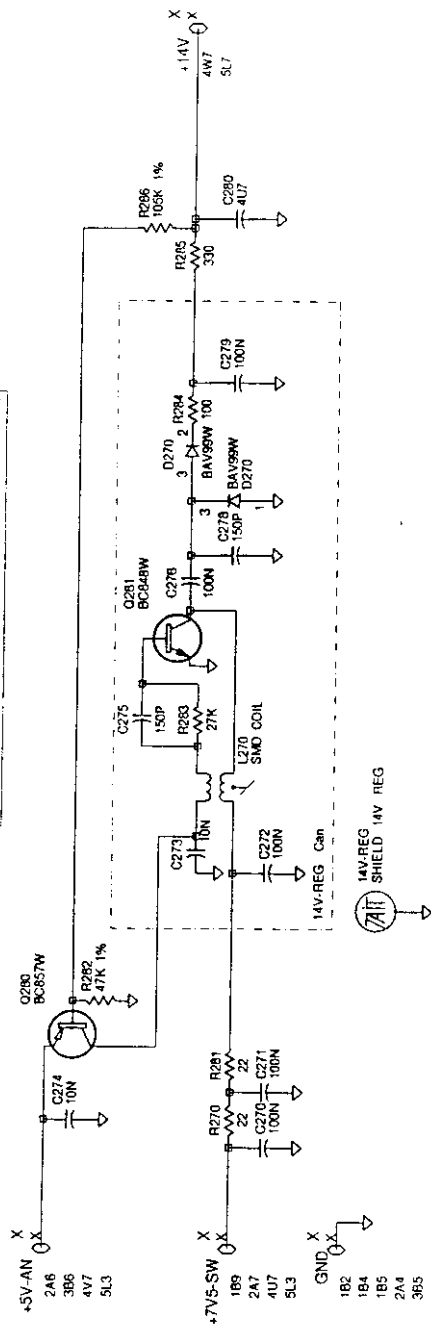
IPN: 220-01401-04  
PROJECT: DBH  
DESIGNER: DBH  
FILE NAME: 140104B  
ISSUE: B  
2.S.C.: 6  
DATE: 7-2-95  
NO. SHEETS: 7

MIC SEAL MICROMMET  
SEAL SMT SEAL  
TBADMARK BADMARK  
BBADMARK BADMARK

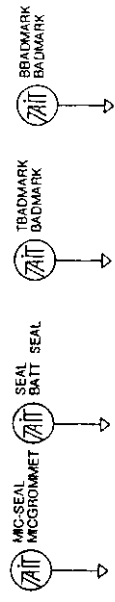
AMENDMENTS  
A B C D E F G H I J K L M

DRAWN: CHKD: D.O. AP'D: DATE:

+14V Regulator (placed in the processor area)



TAIT ELECTRONICS  
 ORCA : TP010-3122 136-174MHZ  
 +14V REGULATOR  
 ISSUE B 2.S.C. 6  
 220-01401-04  
 PROJECT DESIGNER: FILE NAME: PEE DATE: 10.5 SHEETS: 7  
 TAIT ORCA DBR 3010MB



AMENDMENTS	DRAWN:	CHKD:	D.O.	APVD:	DATE
B					