

TAIT ELECTRONICS
1867EX
AUDIO PROCESSOR

220-01182A-00
 DATE 2 SC 2
 PROJECT DESIGNER FILE NAME DATE NO SHEETS
 TMT MLL 14000A 00-04-88 10

AMENDMENTS | DRAWN | CHKD | D.O. | APVD | DATE

REVISION |

MICRO MATCH TO PAGING BRD CON.

DUAL POINT IND 0762

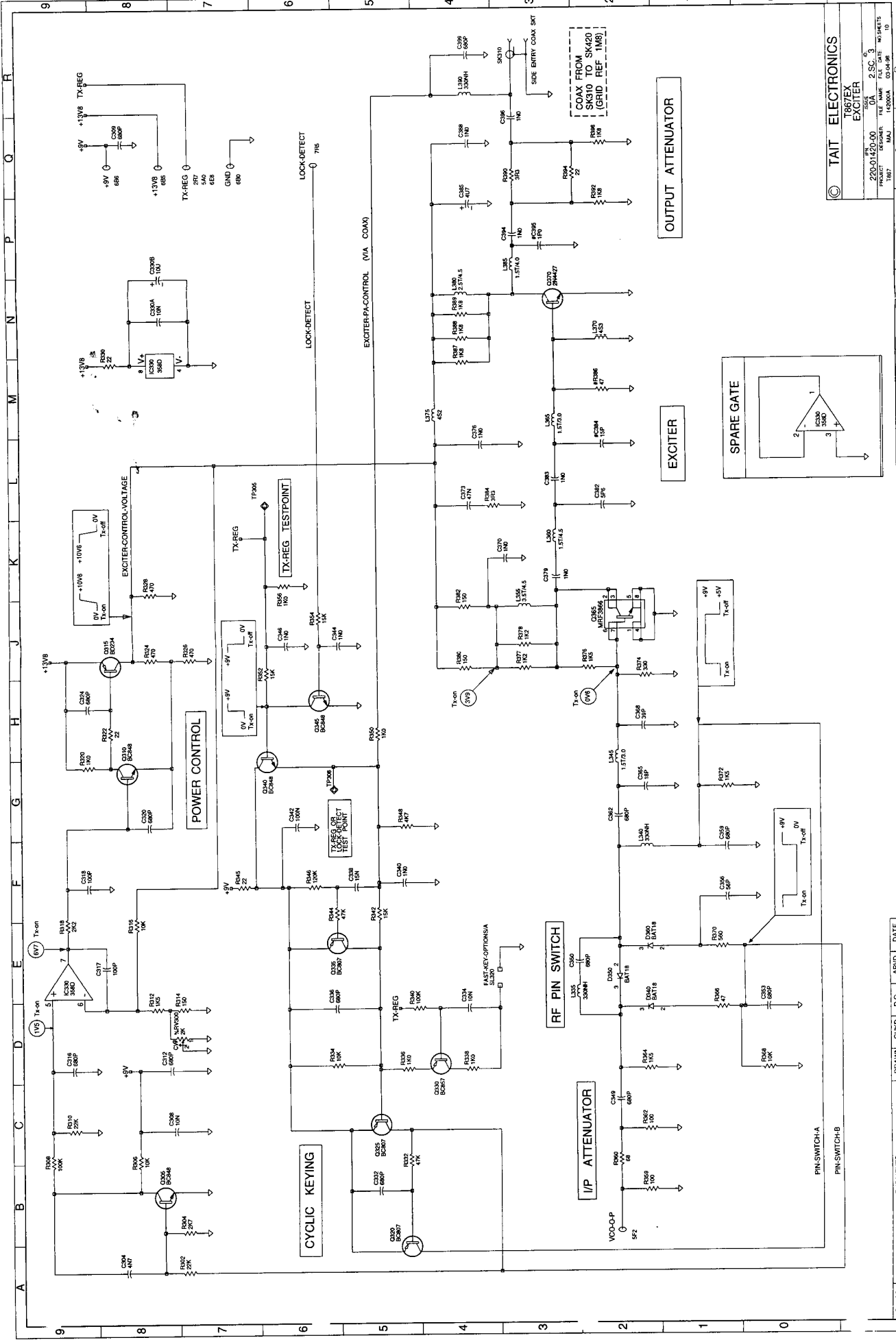
- 8-5K5000
- 3-5K5000
- 5-5K5000
- 5-5K5000
- 2-5K5000
- 7-5K5000
- 10-5K5000
- 5-5K5000

SDA SCK E-P

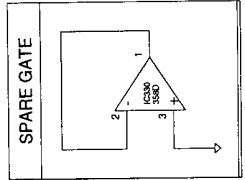
OPTO-KEY

OPTO-KEY+ OPTO-KEY- OPTO-KEY

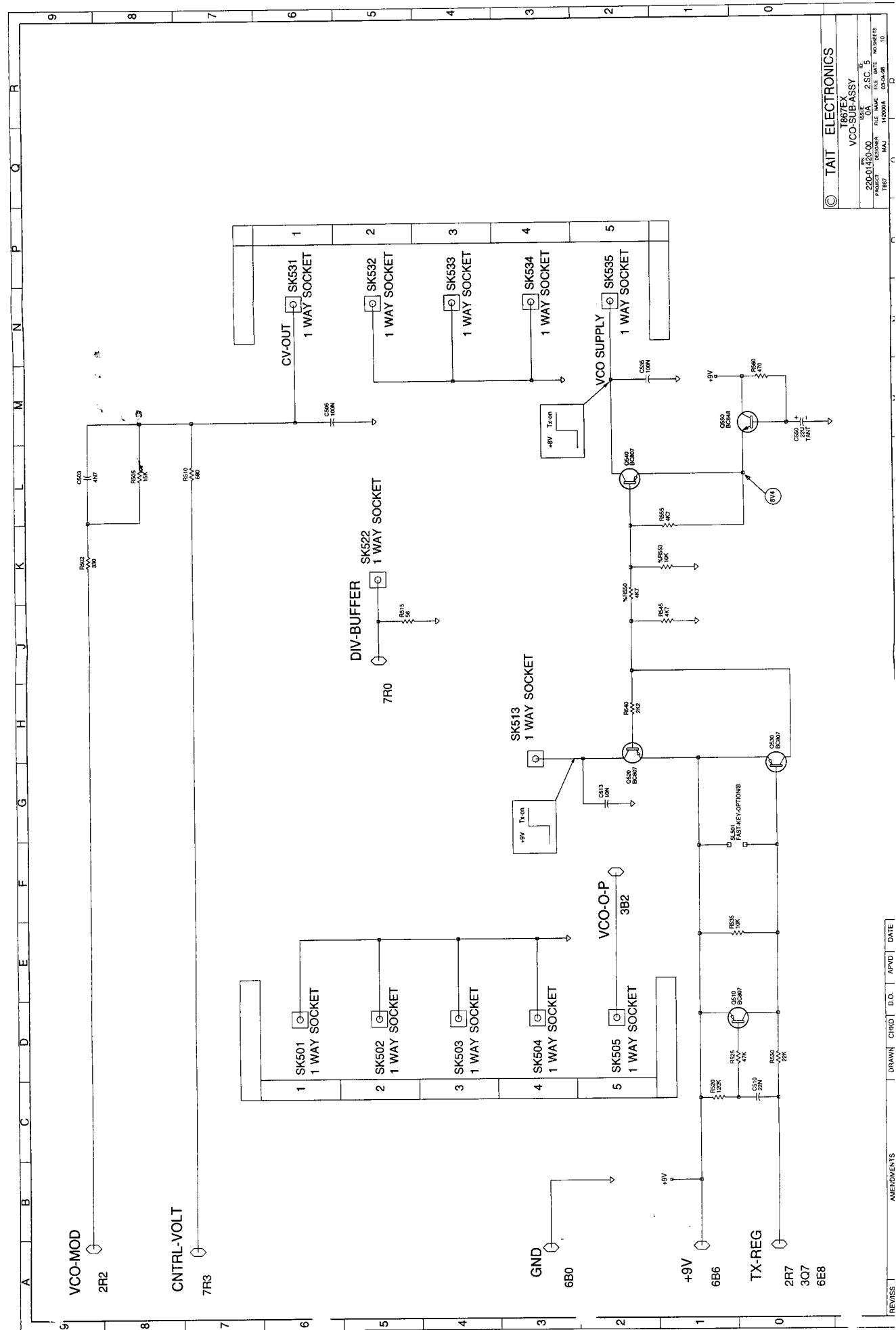
TX-ENABLE TX-ENG-OPT TX-ENG-OPT OPTO-KEY+ OPTO-KEY- OPTO-KEY



© TAIT ELECTRONICS
T66EX EXCITER
 220-01420-00
 1987
 142000A 03-04-88 10

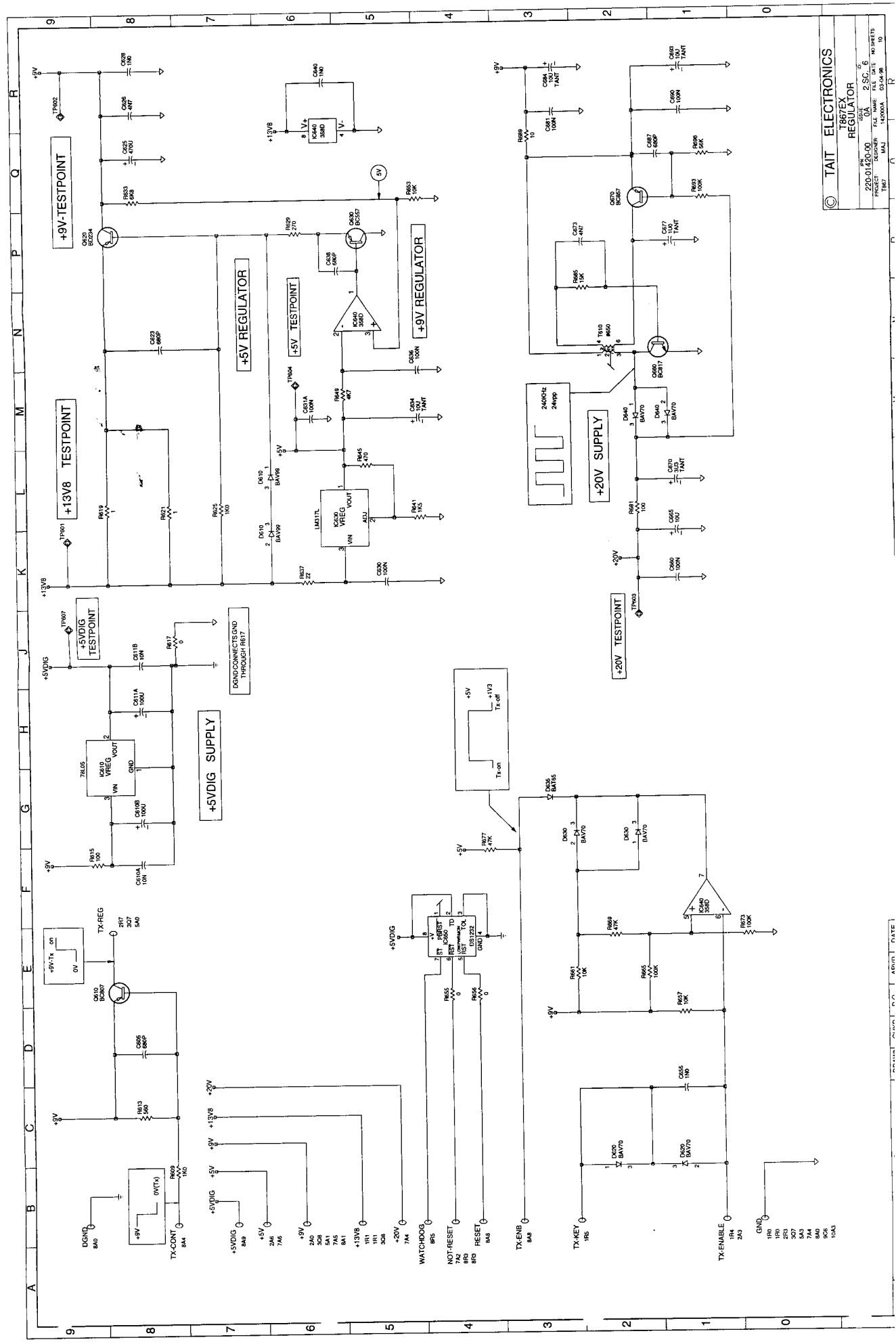


REVISIONS | AMENDMENTS | DRAWN | CHKD | D.O. | APVD | DATE



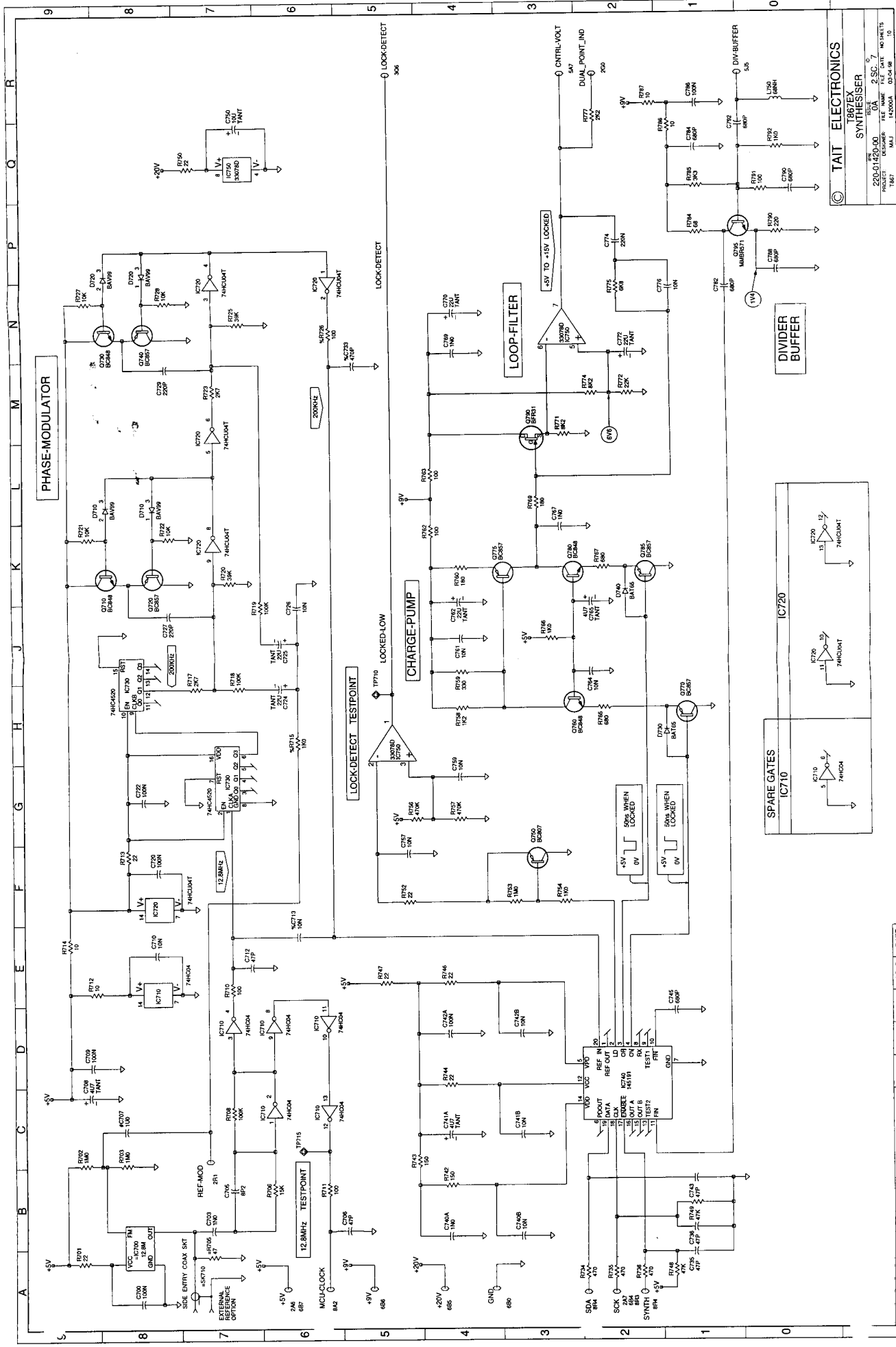
© TAIT ELECTRONICS
 TAIT
 VCO-SUB-ASSY
 220-01420-00
 REV. 0A
 2 SC. 5
 10 SHEETS
 TAIT
 10000A
 03/04/88
 10

REVISIONS
 AMENDMENTS
 DRAWN CHKD. D.C. APVD DATE



© TAIT ELECTRONICS
 1B67EX
 REGULATOR
 220-01420-00
 1B67
 145000A 03-04-98
 10

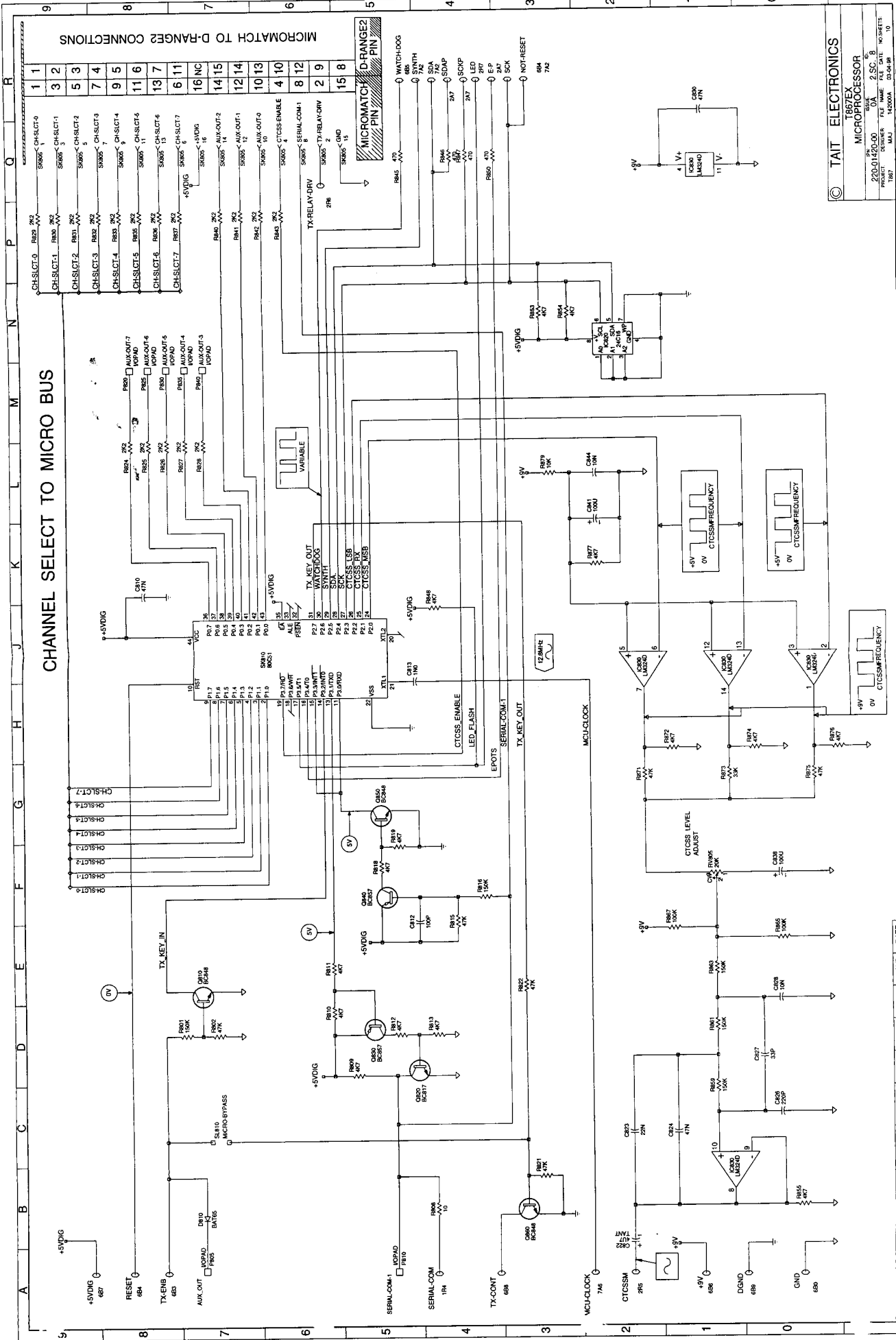
DATE: _____
 DRAWN BY: _____
 CHECKED BY: _____
 APPROVED BY: _____



TAIT ELECTRONICS
 6805 S
 SYNTHESIZER
 220-01420-00
 PROJECT: 6805-THRU-6806
 DRAWING: 6805-01
 DATE: 03-28-88
 DESIGNED BY: JMM
 CHECKED BY: JMM
 APPROVED BY: JMM
 SHEETS: 10

DRAWN: CHK1 D.O. APVD: DATE

CHANNEL SELECT TO MICRO BUS



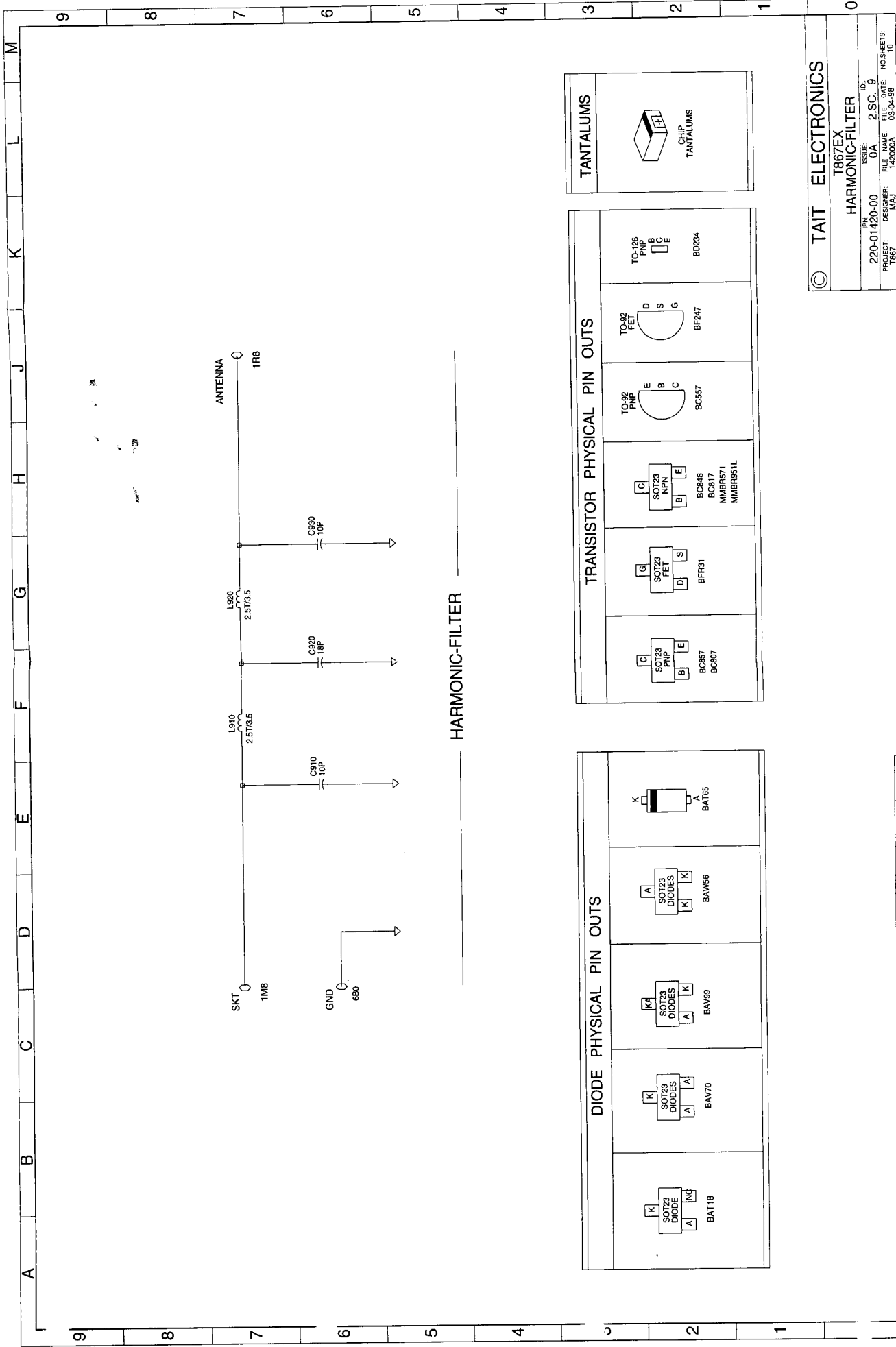
1	1	CHSLECT-0	R829 2K
2	2	CHSLECT-1	R830 2K
3	3	CHSLECT-2	R831 2K
4	4	CHSLECT-3	R832 2K
5	5	CHSLECT-4	R833 2K
6	6	CHSLECT-5	R834 2K
7	7	CHSLECT-6	R835 2K
8	8	CHSLECT-7	R836 2K
9	9	CHSLECT-8	R837 2K
10	10	CHSLECT-9	R838 2K
11	11	CHSLECT-10	R839 2K
12	12	CHSLECT-11	R840 2K
13	13	CHSLECT-12	R841 2K
14	14	CHSLECT-13	R842 2K
15	15	CHSLECT-14	R843 2K
16	16	CHSLECT-15	R844 2K

1	1	CHSLECT-0	R829 2K
2	2	CHSLECT-1	R830 2K
3	3	CHSLECT-2	R831 2K
4	4	CHSLECT-3	R832 2K
5	5	CHSLECT-4	R833 2K
6	6	CHSLECT-5	R834 2K
7	7	CHSLECT-6	R835 2K
8	8	CHSLECT-7	R836 2K
9	9	CHSLECT-8	R837 2K
10	10	CHSLECT-9	R838 2K
11	11	CHSLECT-10	R839 2K
12	12	CHSLECT-11	R840 2K
13	13	CHSLECT-12	R841 2K
14	14	CHSLECT-13	R842 2K
15	15	CHSLECT-14	R843 2K
16	16	CHSLECT-15	R844 2K

1	1	CHSLECT-0	R829 2K
2	2	CHSLECT-1	R830 2K
3	3	CHSLECT-2	R831 2K
4	4	CHSLECT-3	R832 2K
5	5	CHSLECT-4	R833 2K
6	6	CHSLECT-5	R834 2K
7	7	CHSLECT-6	R835 2K
8	8	CHSLECT-7	R836 2K
9	9	CHSLECT-8	R837 2K
10	10	CHSLECT-9	R838 2K
11	11	CHSLECT-10	R839 2K
12	12	CHSLECT-11	R840 2K
13	13	CHSLECT-12	R841 2K
14	14	CHSLECT-13	R842 2K
15	15	CHSLECT-14	R843 2K
16	16	CHSLECT-15	R844 2K

© TAIT ELECTRONICS
 T87EX
 MICROPROCESSOR
 PN 220-01420-00
 SCALE 1:1
 Z.S.C. B
 PARTS LIST
 140000A
 04/88
 10

REVISION CHECK D.O. APVD DATE



TANTALUMS

CHIP
TANTALUMS

TRANSISTOR PHYSICAL PIN OUTS

<p>TO-18 PNP</p>	<p>TO-92 PNP</p>	<p>SOT23 NPN</p>	<p>SOT23 FET</p>	<p>TO-18 PNP</p>	<p>TO-92 PNP</p>	<p>SOT23 NPN</p>	<p>SOT23 FET</p>
BC234	BC557	BC848 BC817 MMBR571 MMBR951L	BFR31	BC857 BC807	BFR31	BC557	BFR31

DIODE PHYSICAL PIN OUTS

<p>SOT23 DIODE</p>	<p>SOT23 DIODES</p>	<p>SOT23 DIODES</p>	<p>SOT23 DIODES</p>	<p>BAT18</p>
BAT18	BAV70	BAV99	BAV56	BAT18

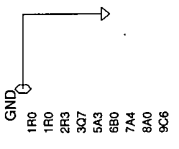
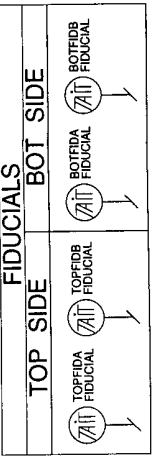
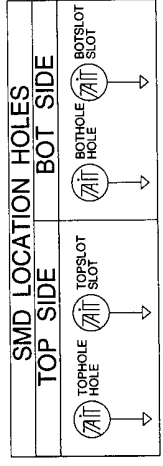
© TAIT ELECTRONICS
 T867EX
 HARMONIC-FILTER
 IPN: 220-01420-00
 ISSUE: 0A
 2.S.C. 9
 FILE NAME: 142000A
 PROJECT: 1867
 DESIGNER: MAJ
 DATE: 05-04-98
 NO. SHEETS: 10

DATE



TOP SIDE VARIANT INDICATORS

	-10	-13	-15	-20	-23	-25	-	-
	T83710 10K 1%	T83713 10K 1%	T83715 10K 1%	T83720 10K 1%	T83723 10K 1%	T83725 10K 1%	T837 10K 1%	T837 10K 1%

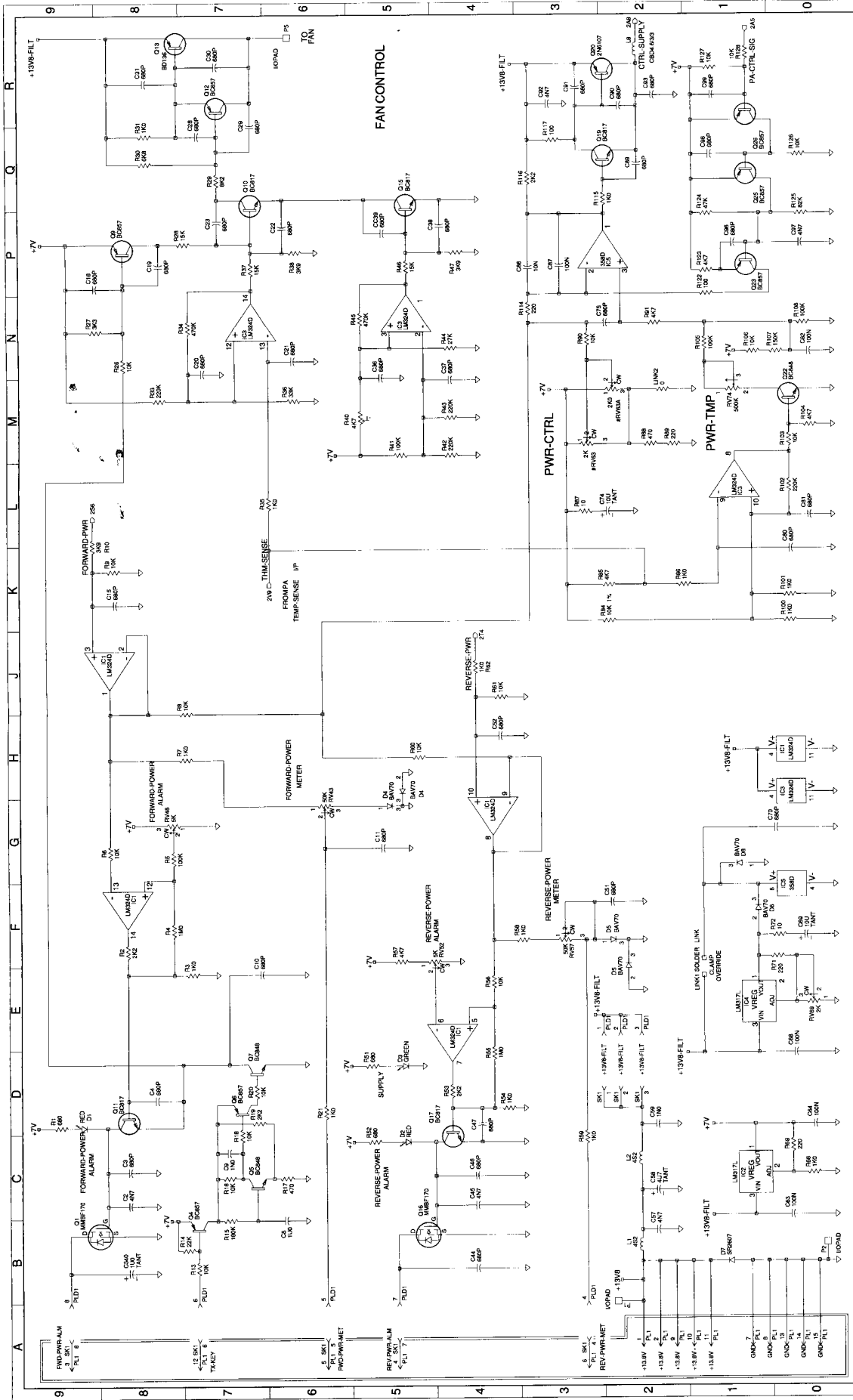


© TAIT ELECTRONICS

T867EX
OUT OF CIRCUIT DATA

PN: 220-01420-00
ISSUE: 0A 2.SC. 10
PROJECT: T867 DESIGNER: MAJ FILE NAME: 142000A
NO. SHEETS: 103 DATE: 03-04-98

NO. DRAWN: SUMO P.C. ADVIN DATE



TAIT ELECTRONICS

T869 PA CONTROL SECTION

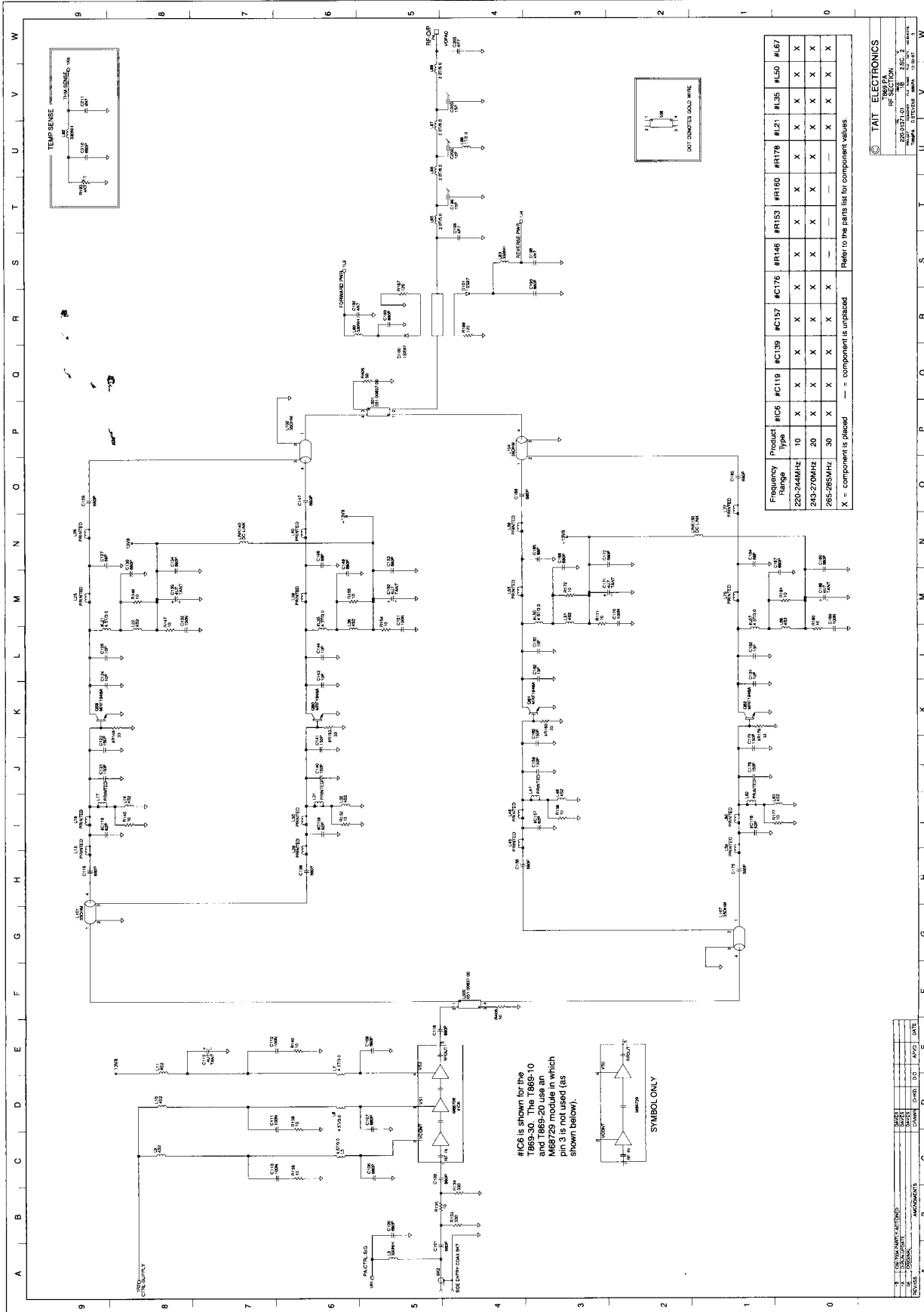
220-0137-01 18 2-SC-1
 TAIT ELECTRONICS 1886A 10-28-78

REV/ISS DATE/ISSN DRAWN CHKD D.O APVD DATE

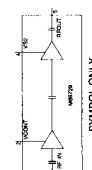
REV/ISS	DATE/ISSN	DRAWN	CHKD	D.O	APVD	DATE
0A	08-28-78	SHAWN	SHAWN			28-10-78
0B	08-28-78	SHAWN	SHAWN			28-10-78
0C	08-28-78	SHAWN	SHAWN			28-10-78

15-PIN D-RANGE PLUG

D5.2.16 T869 PCB Information



#IC6 is shown for the T869-30. The T869-10 and T869-20 use an M8972S module in which pin 3 is not used (as shown below).



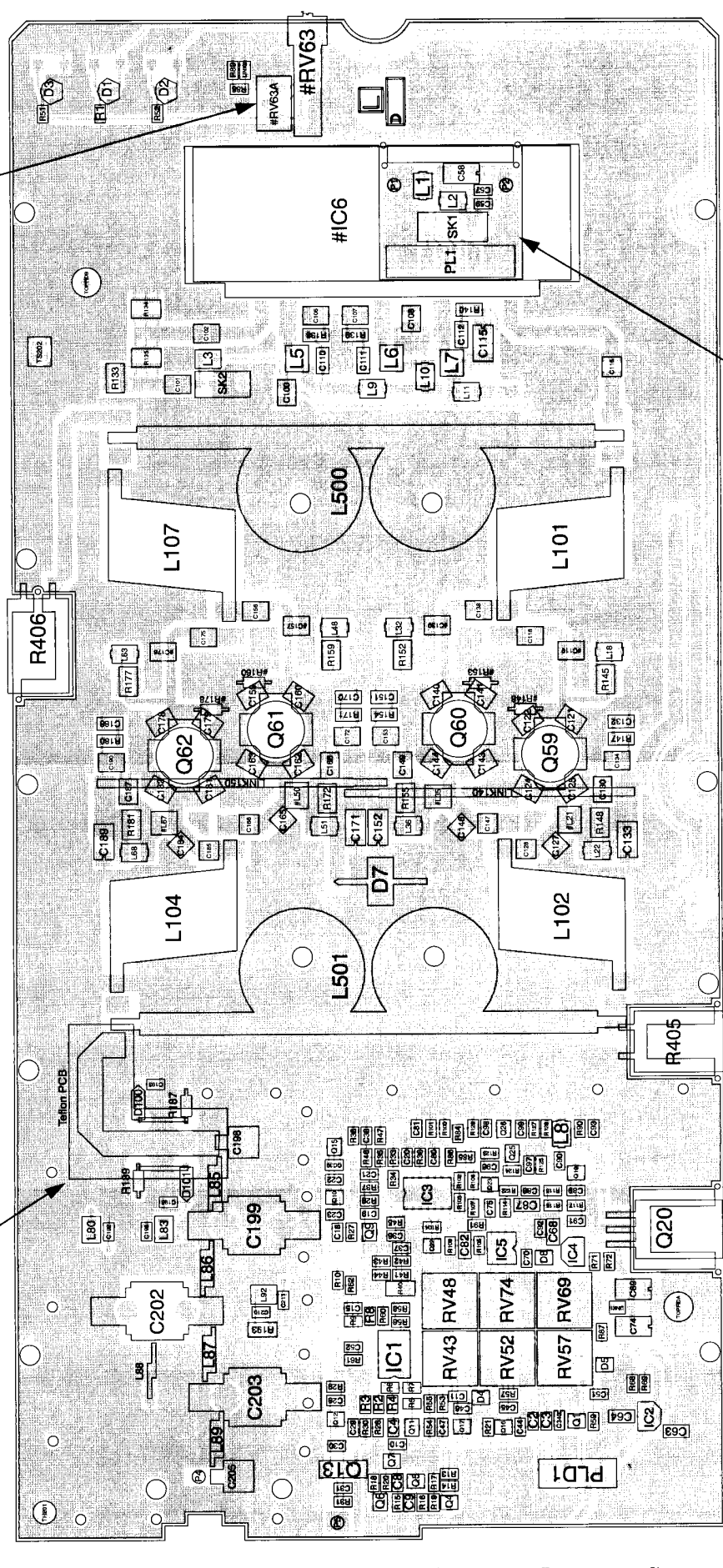
Frequency Range	#IC6	#IC19	#IC39	#IC176	#R146	#R153	#R179	#L21	#L35	#L50	#L67
220-244MHz	X	X	X	X	X	X	X	X	X	X	X
243-270MHz	X	X	X	X	X	X	X	X	X	X	X
285-285MHz	30	X	X	X	X	X	X	X	X	X	X

Refer to the parts list for component values.
 X = component is placed.
 — = component is unplaced.

© TAIT ELECTRONICS
 REF SECTION
 220-01371-01
 18
 17-000000
 17-000000

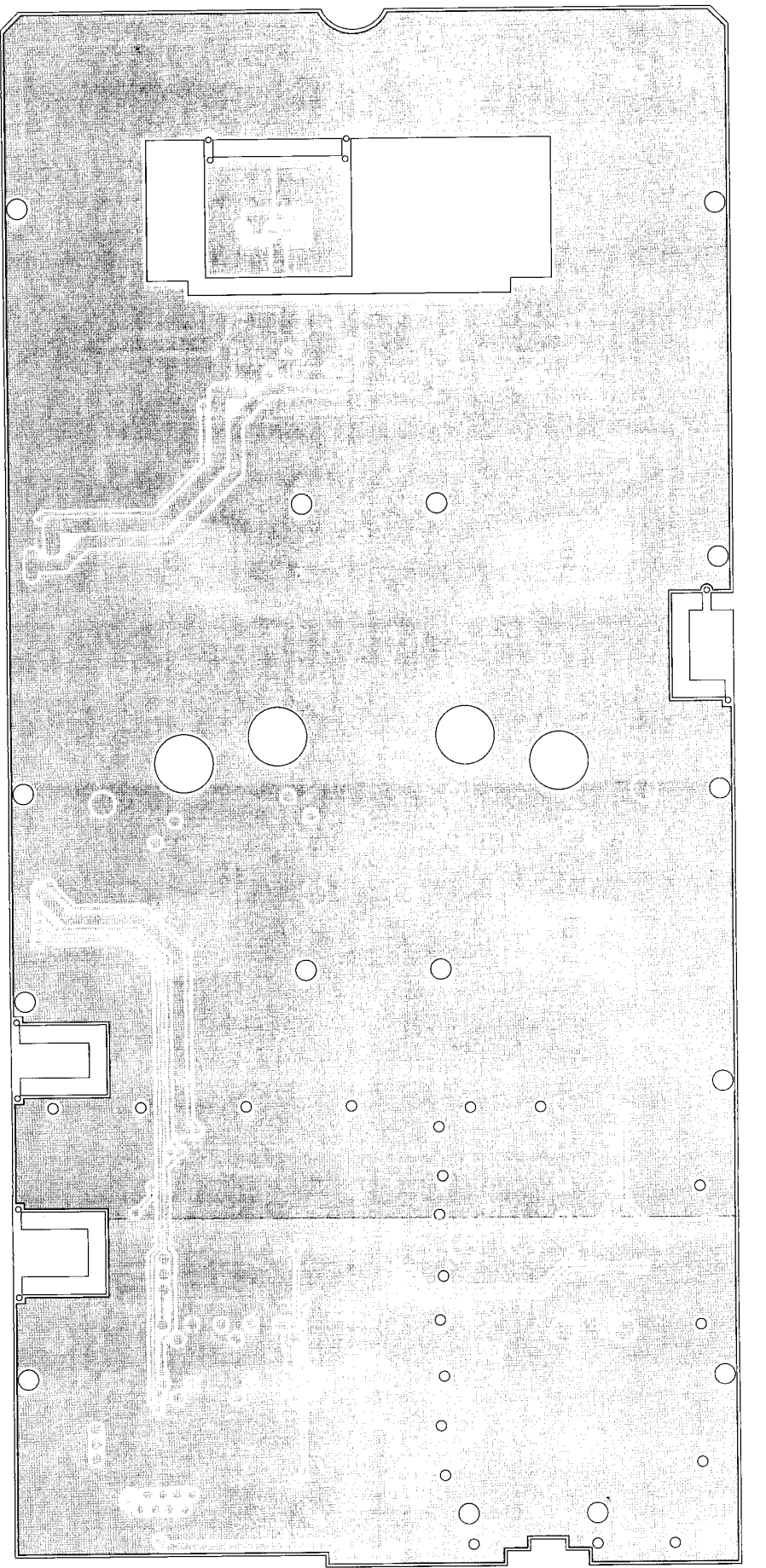
Note: In order to enhance the mechanical security of the Teflon PCB, R187, R189, D100 and D101 are soldered to both the Teflon PCB and the underside of the main PCB.

Note: #RV63A may be fitted instead of #RV63 if only internal adjustment of the output power is required.



Note: The circuitry for the break-off D-range PCB is shown on the control section circuit diagram.

T869 PCB Layout
Top Side
220-01371-01



7869 PCB Layout
Bottom Side
220-01371-01