

T856 TRANSMITTER  
AUDIO PROCESSOR

PROJECT DESIGNER FILE NAME REV DATE NOS SHEETS  
220-01597-02 2/A 2.S.C. 2

1958 DAVIE 1871/20A 10-12-57 10

TAIT ELECTRONICS

REFERENCE MODULATION INTEGRATOR

BUFFER

PRE-EMPHASIS

LIMITER-1

LIMITER-2

7.5dB IN LIMITING

TX-ENABLE

TX-ENABLE

TX-ENABLE

TX-ENABLE

TX-ENABLE

TX-ENABLE

TX-ENABLE

TX-ENABLE

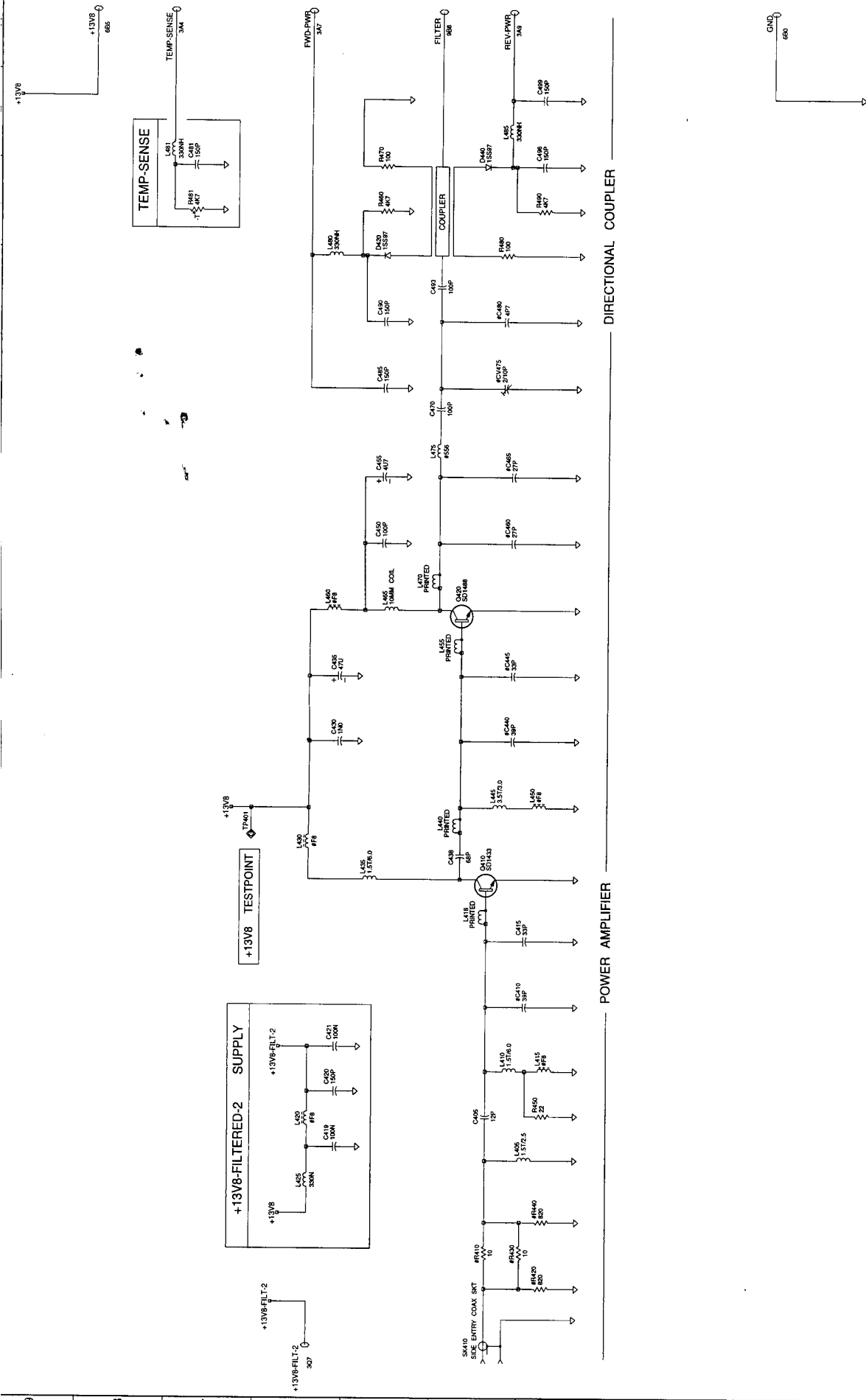
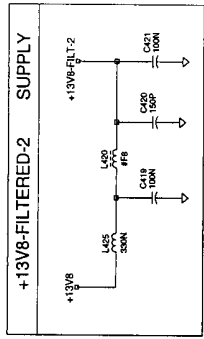
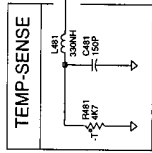
TX-ENABLE

TX-ENABLE

REV	DATE	BY	CHKD	DATE	REASON
2A	27-10-57	DAVIE	CH	DE	SECOND PROTOTYPE
1A		DAVIE	CH	DE	FIRST PROTOTYPE
0A		DAVIE	CH	DE	ORIGINAL

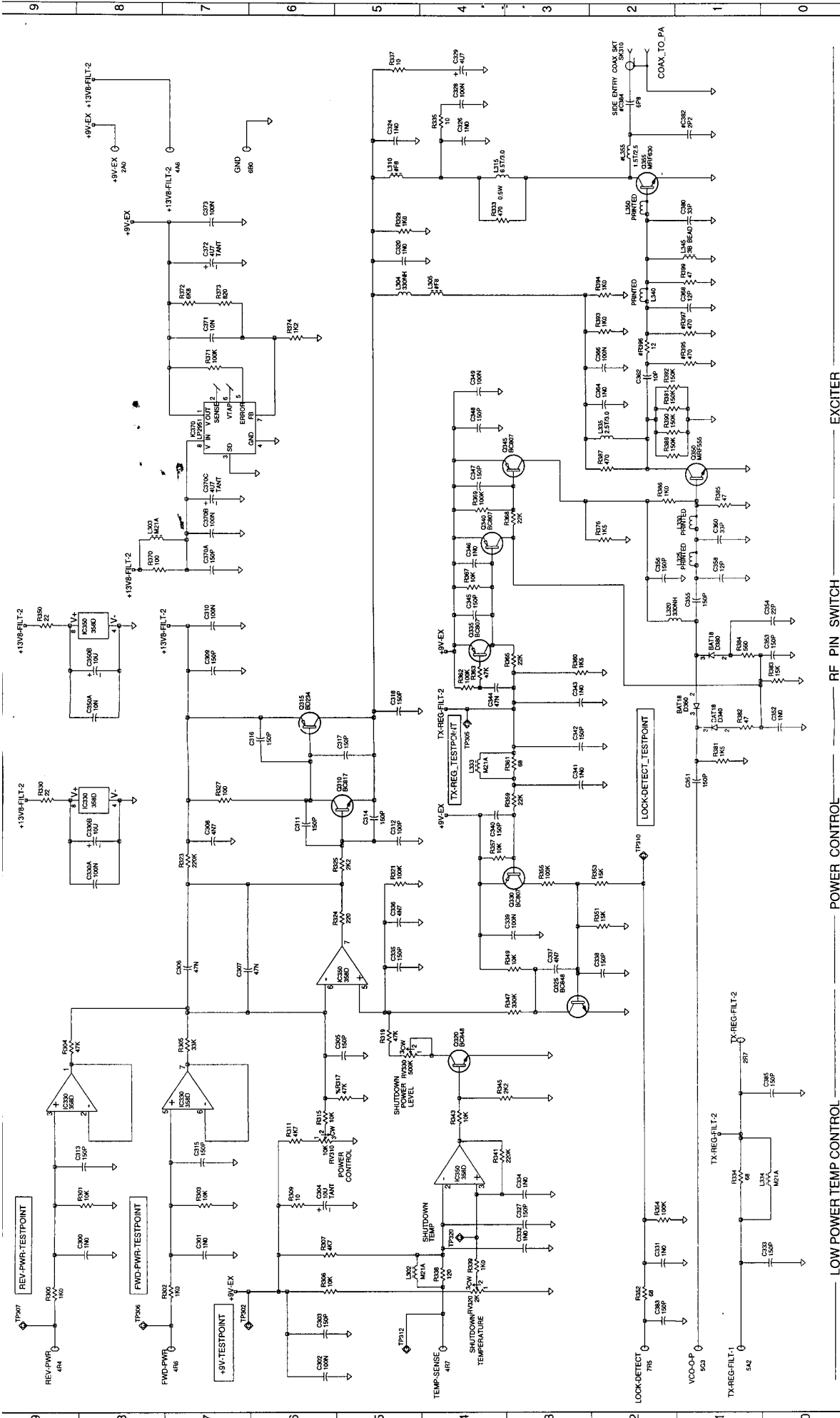
FCC ID: CASTEL0010

2-983 (A17) COMMUNICATIONS



TAIT ELECTRONICS	
1856 TRANSMITTER	
PA	
REV	DATE
250-01397-02	25-10-97
PA	25-10-97
REV	DATE
250-01397-02	25-10-97
PA	25-10-97
REV	DATE
250-01397-02	25-10-97

PA	SECOND PROTOTYPE	DAVEE	CN	DE	IC	25-10-97
PA	PROTOTYPE	DAVEE	CH	DE	IC	25-10-97
PA	ORIGINAL	DAVEE	CH	DE	IC	25-10-97
REVISION	AMENDMENTS	DRAWN	CHKD	D.O.	APVD	DATE
A						
B						
C						
D						
E						
F						
G						
H						
J						
K						
M						
N						
P						
R						



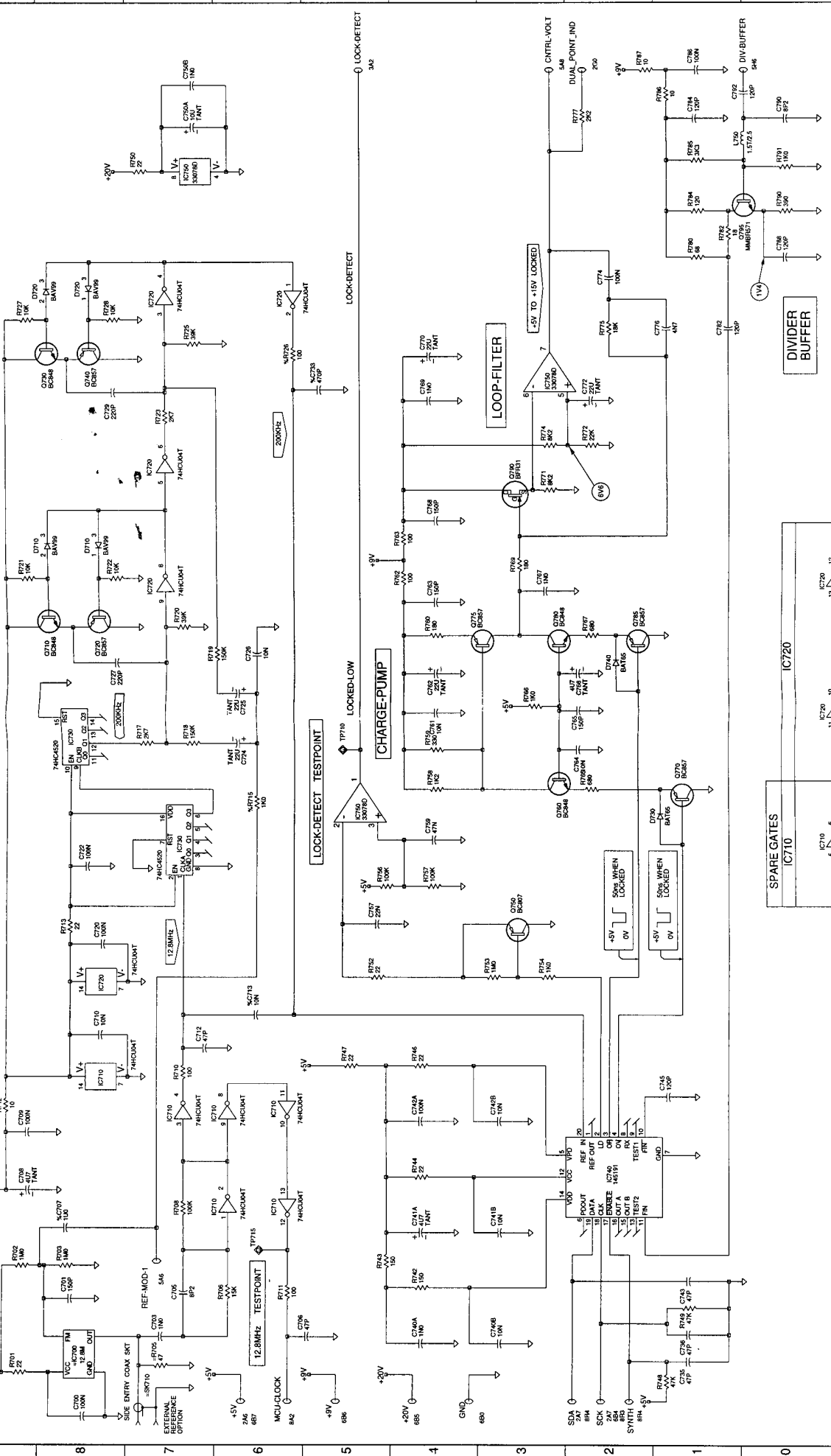
© TAIT ELECTRONICS  
 T856 TRANSMITTER  
 EXCITER  
 220-0137-02 2A 2.S.C. 3  
 PROJECT: FILE NAME: FILE DATE: NO SHEETS:  
 T856 197.02A 10/2/97 10

LOW POWER TEMP CONTROL ——— POWER\_CONTROL ——— RF PIN SWITCH ——— EXCITER

REV	DATE	BY	CHKD	DATE
2A	12-01-97	DAVIES	CH	DE
1A	08-07-97	DAVIES	CHND	D.O.
0A		DAVIES	CHND	D.O.

AMENDMENTS

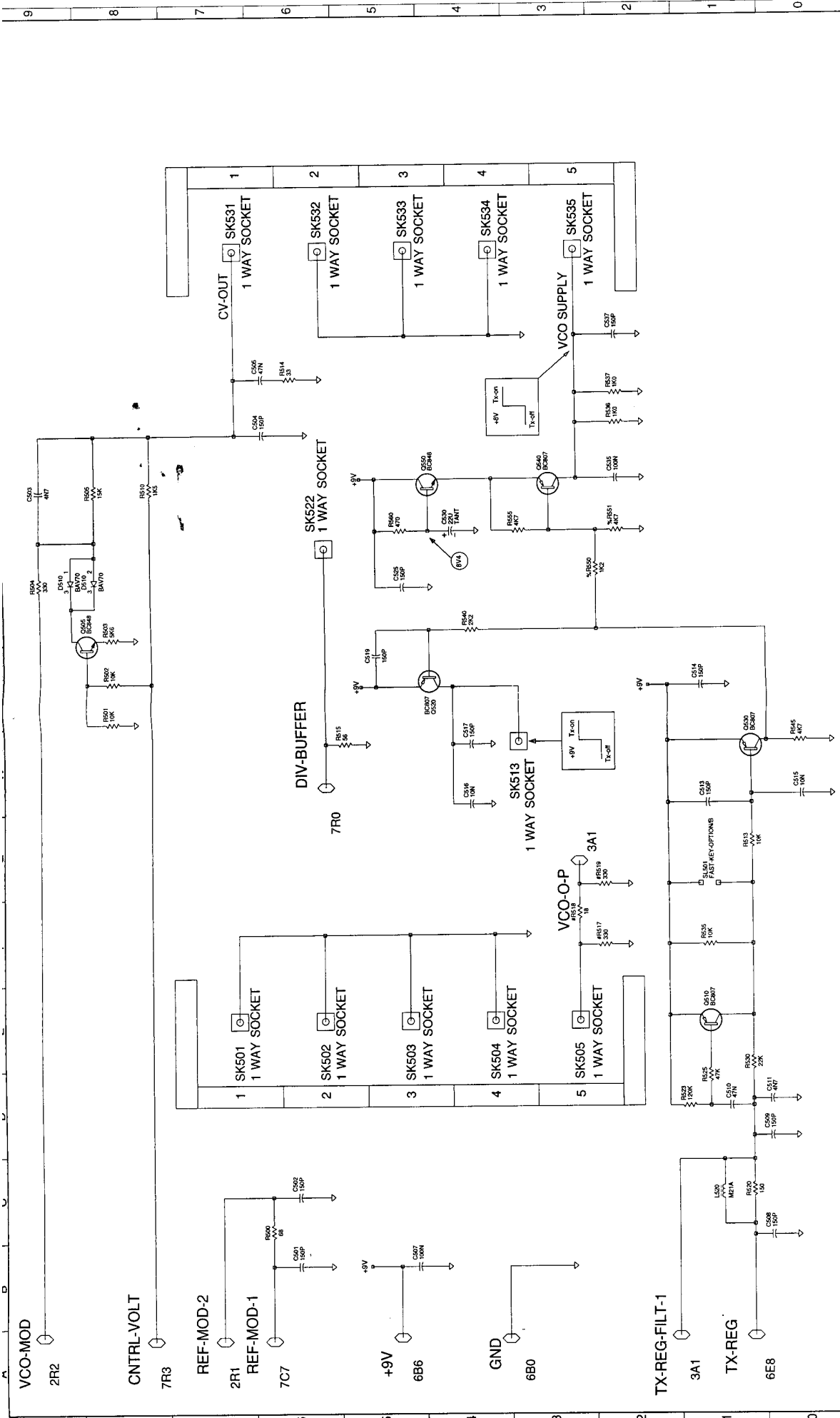
PHASE-MODULATOR



© TAIT ELECTRONICS  
 T856 TRANSMITTER  
 SYNTHESIZER  
 ISSUE 2, S.C. 9  
 2200 W. 37th St.  
 P.O. BOX 10  
 PASCAGO, MISSISSIPPI 39270  
 T856 DAVEE 1397/02A 10-12-97

REV	DESCRIPTION	DATE
0A	ORIGINAL	22/03/97
0A	FIRST PROTOTYPE	
0A	REGENERATIVE	
0A	DAVEE	
0A	DAVEE	
0A	DAVEE	

A B C D E F G H I J K L M N P O R



© TAIT ELECTRONICS  
 1866 TRANSMITTER  
 VCO-SUB-ASSY  
 PN 220-01397-02  
 PROJECT 1866  
 REVISE 1387, 02A, 10, 13, 97

2A SECOND-PRIORITY  
 1A FIRST PROTOTYPE  
 0A ORIGINAL

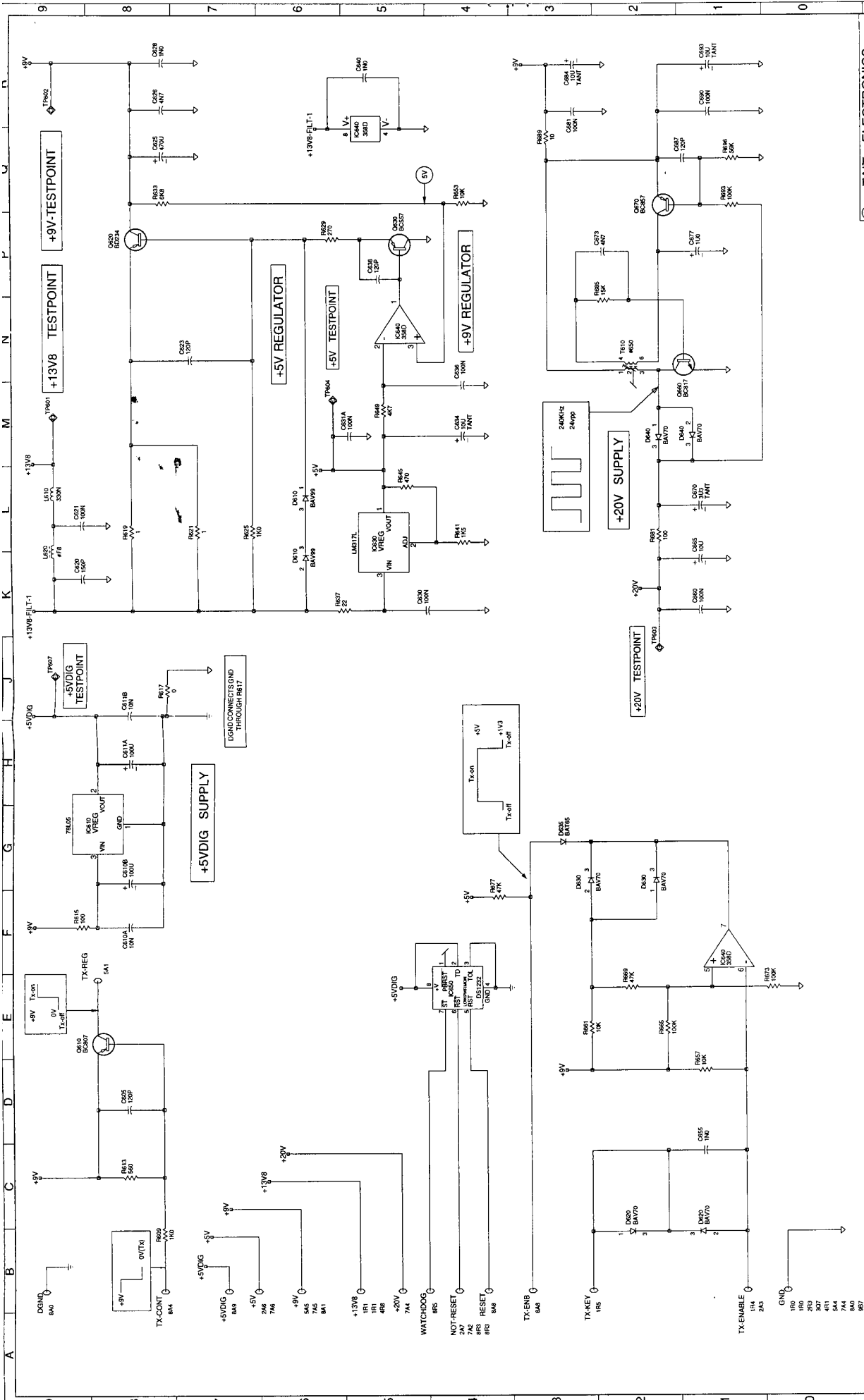
DATE 22-10-97  
 DRAWN JAMES  
 CHECKED JAMES  
 D.O. APPROVED DATE

AMENDMENTS

REV/ISS

0 1 2 3 4 5 6 7 8 9

A B C D E F G H K M N P O R



© TAIT ELECTRONICS  
 T856 TRANSMITTER  
 REGULATOR  
 220-01397-02  
 PROJECT DESIGNER FILE NAME DATE WORKSHEETS  
 T856 DAVEZ D856\_02A 02/20/97 10

REV	DESCRIPTION	DATE
0A	DESIGN PROTOTYPE	22-10-97
0A	DESIGN PROTOTYPE	
0A	ORIGINAL	

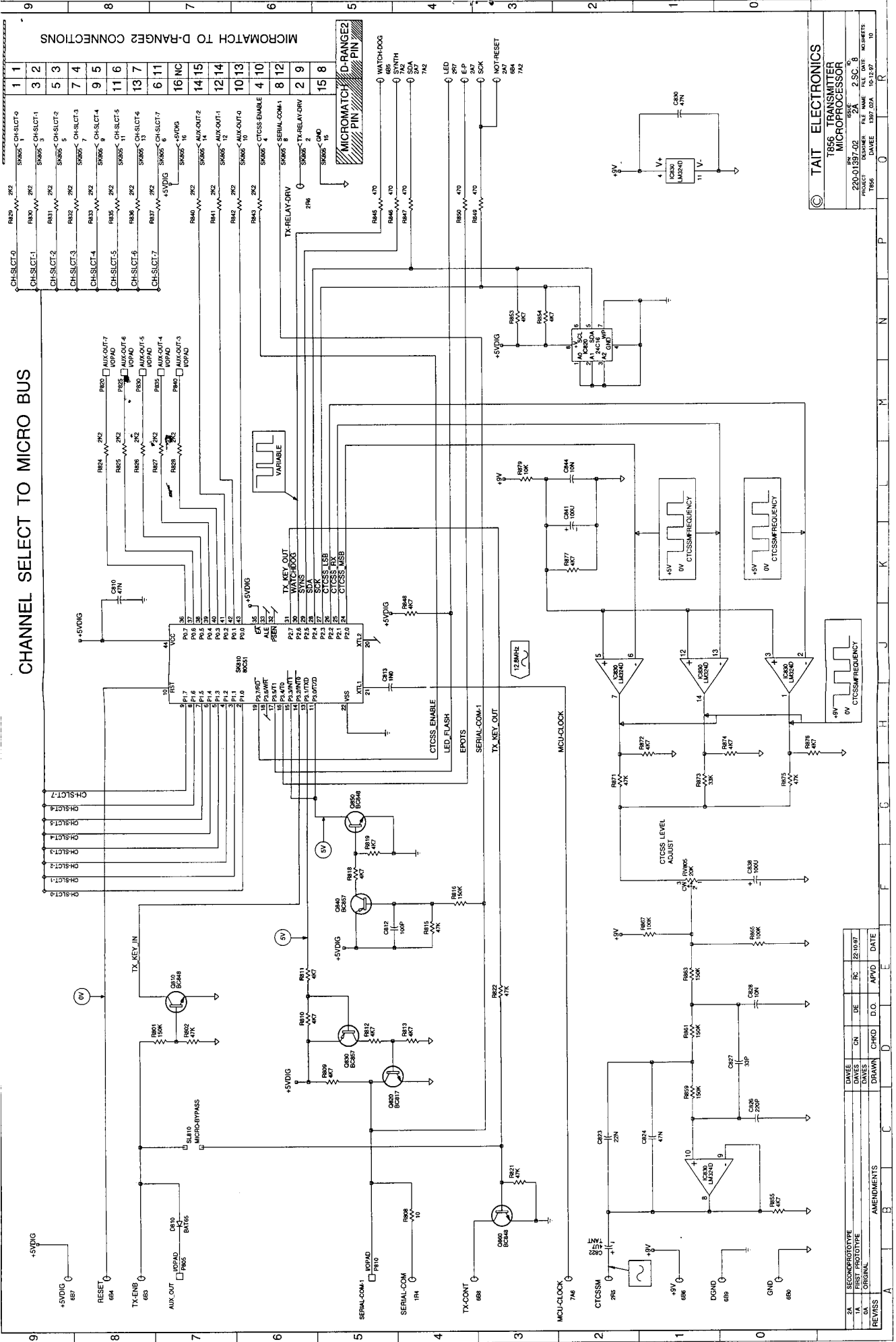
  

REV	DATE	RC	DE	CHKD	D.O.	APVD	DATE

REV	AMENDMENTS

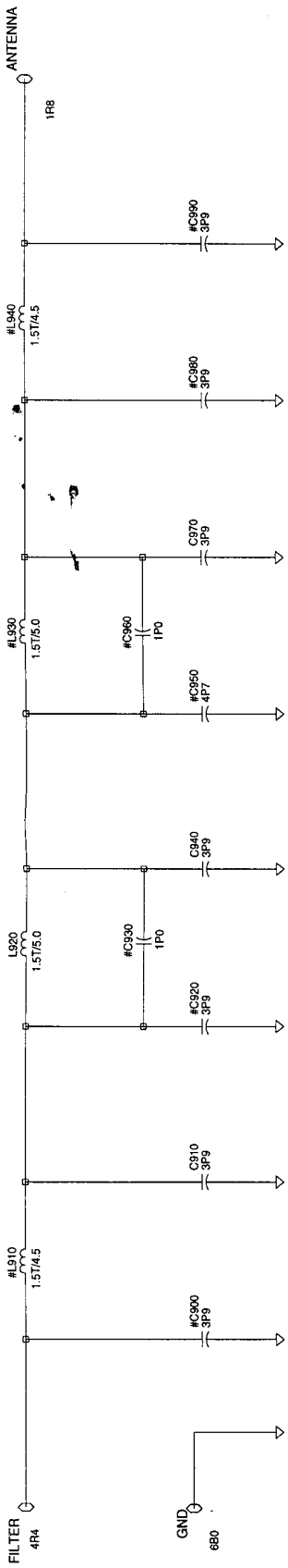
# CHANNEL SELECT TO MICRO BUS



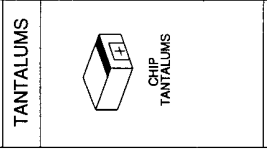
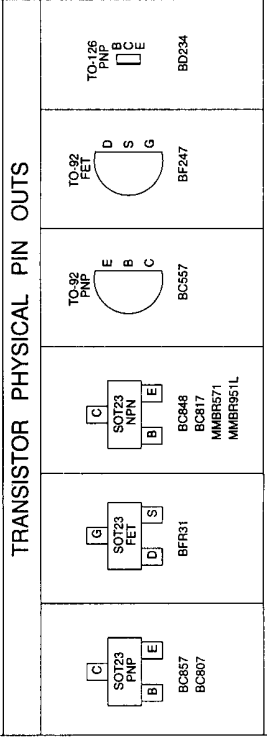
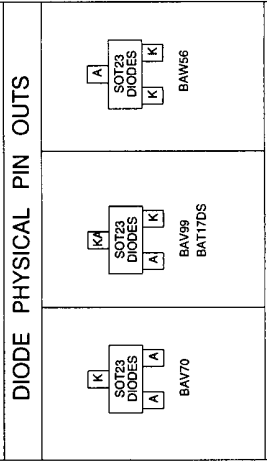
TAIT ELECTRONICS  
 1886 TRANSMITTER MICROPROCESSOR  
 PROJECT NO. 220-01897-02  
 DESIGNED BY SA  
 DRAWN BY SA  
 DATE 2.50.8  
 FILE NAME FILE DATE WORKSHEET  
 1886 1886 DATE 1886

REV/ISS	AMENDMENTS	CHND	D.O.	APP'D	DATE
0A	SECOND PROTOTYPE	DN	DE	RC	22/10/87
0A	FIRST PROTOTYPE	DN	DE	RC	22/10/87
0A	ORIGINAL	DN	DE	RC	22/10/87

A B C D E F G H I J K L M N P Q R



HARMONIC-FILTER



2A	SECOND PROTOTYPE	DAVEE	CN	DE	RC	22-10-97
1A	FIRST PROTOTYPE	DAVES				
0A	ORIGINAL	DAVES	CHKD	D.O.	APVD	DATE
REV/ISS	AMENDMENTS	DRAWN	CHKD	D.O.	APVD	DATE

© TAIT ELECTRONICS

T856 TRANSMITTER  
HARMONIC-FILTER

IPN: 220-01357-02  
ISSUE: 2A  
PROJECT: T856  
DESIGNER: DAVEE  
FILE NAME: 1397\_02A  
DATE: 10-12-97  
NO. SHEETS: 10

A B C D E F G H J K L M



TOP SIDE PRODUCT INDICATORS

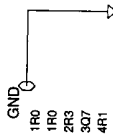
	-10	-13	-15	-20	-23	-25	-30	-35	-
	T85610 2K2	T85613 2K2	T85615 2K2	T85620 2K2	T85623 2K2	T85625 2K2	T85630 2K2	T85635 2K2	T856- 2K2

SMD LOCATION HOLES

TOP SIDE	BOT SIDE
TOPHOLE HOLE	BOT HOLE
TOPSLOT SLOT	BOTSLOT SLOT

FIDUCIALS

TOP SIDE	BOT SIDE
TOPFIDA FIDUCIAL	BOTFIDA FIDUCIAL
TOPFIDB FIDUCIAL	BOTFIDB FIDUCIAL



- 1R0
- 1R0
- 2R3
- 307
- 4R1
- 5A4
- 6B0
- 7A4
- 8A0
- 9B7

© TAIT ELECTRONICS  
T856 TRANSMITTER  
OUT OF CIRCUIT DATA

220-01397-02  
ISSUE: 2A  
2.S.C. 10  
DATE: 10-12-97  
DRAWN: DAVEE  
CHECKED: DAVEE

REV/ISS	SECOND PROTOTYPE	AMENDMENTS	DAVEE	CHKD	D.O	APVD	DATE
A							

J U H G F E D C B A

9 8 7 6 5 4 3 2 1 0