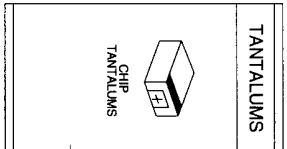
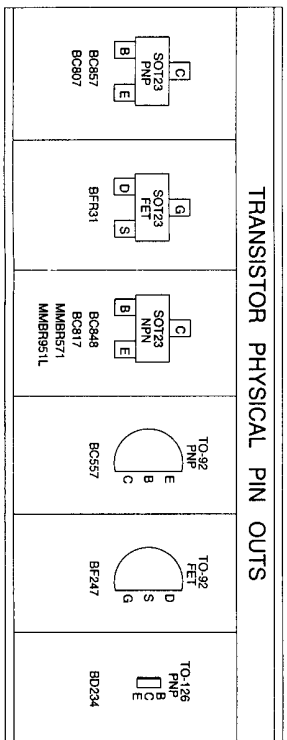
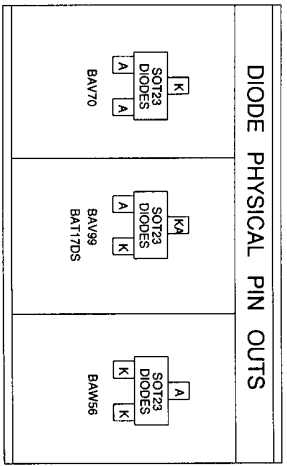


HARMONIC-FILTER



2A	SECOND PROTOTYPE	DAVEE	CN	DE	RC	22-10-97
1A	FIRST PROTOTYPE	DAVES				
0A	ORIGINAL	DAVES				
REVISS	AMENDMENTS	DAVAM	CHKO	D.O.	APVD	DATE

A	B	C	D	E	F	G	H	J
---	---	---	---	---	---	---	---	---

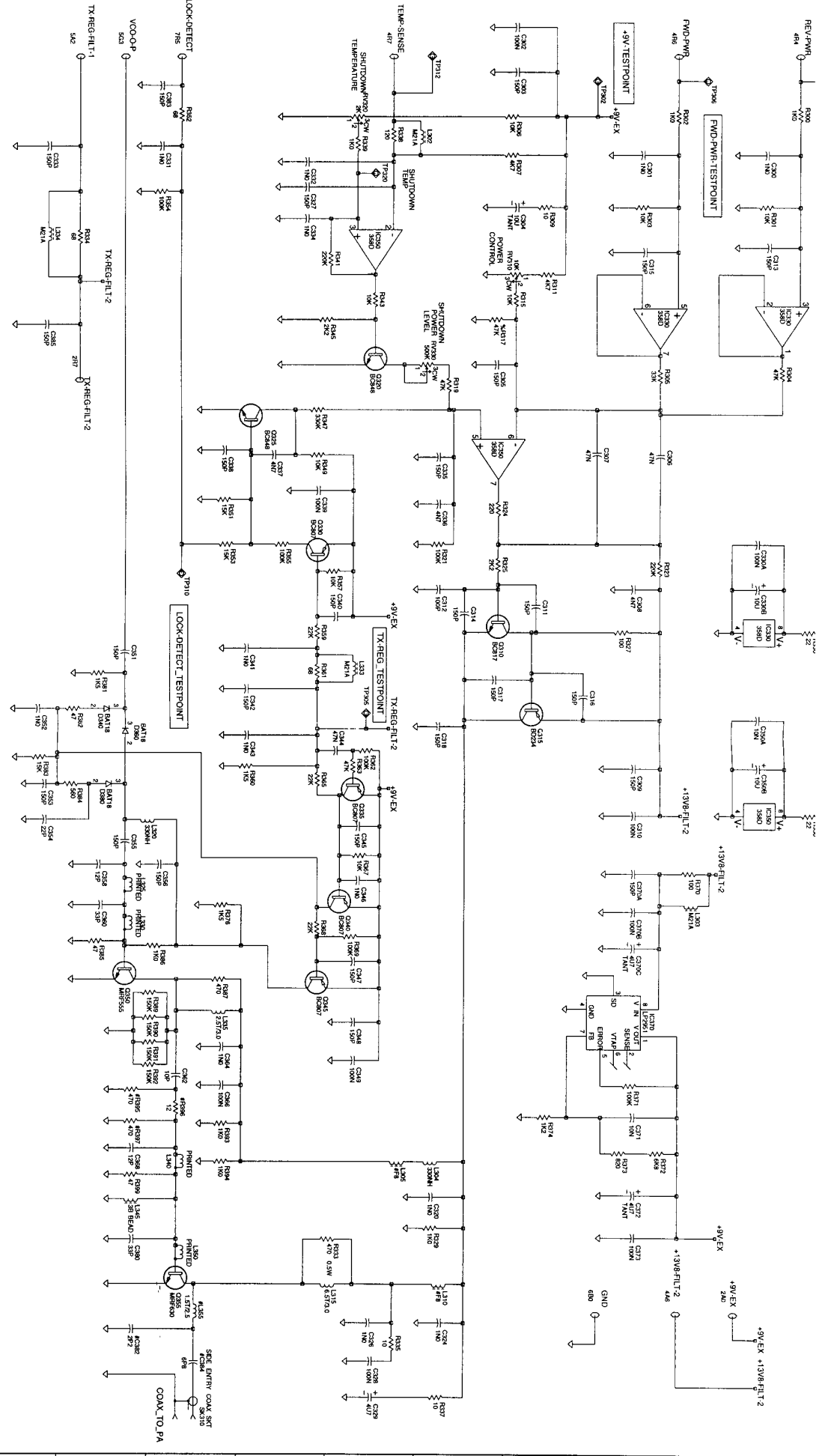
TAIT ELECTRONICS

1856 TRANSMITTER
HARMONIC-FILTER

ISSUE: 2A 2.S.C. 9

PROJECT: 220-01397-02
DESIGNER: DAVEE
FILE NAME: 1397 02A
FILE DATE: 10-12-97

NO. SHEETS: 10

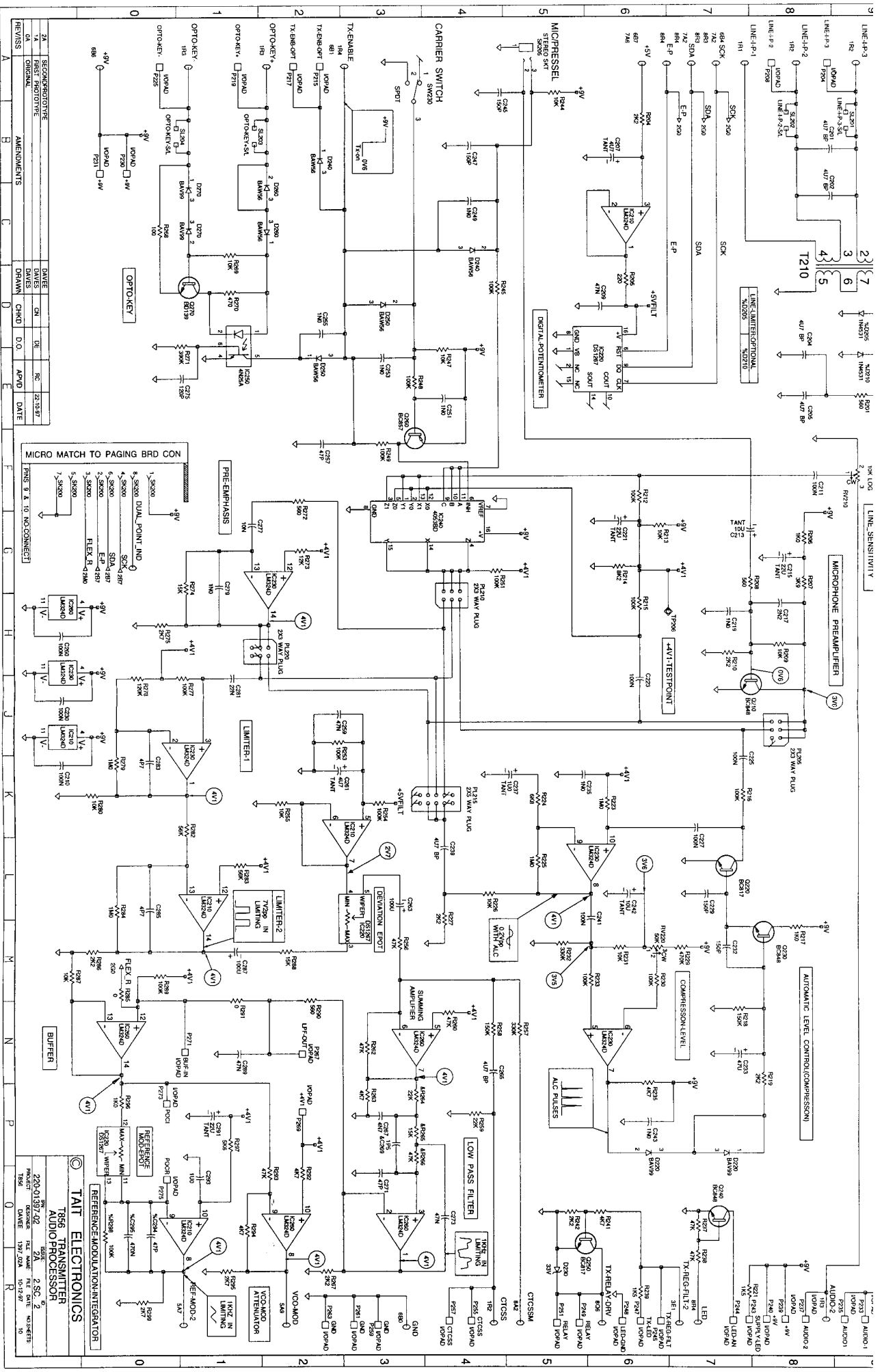


REV	DATE	BY	CHKD	APP'D	DATE
2A	SECOND PROTOTYPE	DAVE	CM	DE	12-10-87
1A	FIRST PROTOTYPE	DAVE	CM	DE	12-10-87
0A	ORIGINAL	DAVE	CM	DE	12-10-87

REV	DATE	BY	CHKD	APP'D	DATE
0A	ORIGINAL	DAVE	CM	DE	12-10-87
1A	FIRST PROTOTYPE	DAVE	CM	DE	12-10-87
2A	SECOND PROTOTYPE	DAVE	CM	DE	12-10-87

REV	DATE	BY	CHKD	APP'D	DATE
0A	ORIGINAL	DAVE	CM	DE	12-10-87
1A	FIRST PROTOTYPE	DAVE	CM	DE	12-10-87
2A	SECOND PROTOTYPE	DAVE	CM	DE	12-10-87

TAIT ELECTRONICS
 7856 TRANSMITTER EXCITER
 220-0178-02 2 SC. 9
 PROJECT ENGINEER FILE NAME TAIT-0178-02
 1988 DAVE 1397.02A 10-12-87 10



REV/ISS	A	B	C	D	E	F	G	H	J	K	M	N	P	O
21	SECURIFICATION													
22	ORIGINAL													
DATE	DAVE	CH	BE	RC	23.13.87									
DESIGNED BY	DAVE	CH	BE	RC	23.13.87									
DRAWN	DAVE	CH	BE	RC	23.13.87									
APPROVED	DAVE	CH	BE	RC	23.13.87									

TAIT ELECTRONICS
7856 TRANSMITTER
AUDIO PROCESSOR
 REFERENCE MODULATOR/INTEGRATOR

220-0137-02 2 SC 9
 PROJECT GEORGE FILE DATE REV DATE WORKSHEET
 TAIT 7856 137/02A 0-10-87 10