

FCC ID: CASTEL006 (P.A.)  
2.983 (d)(7) SCHEMATIC

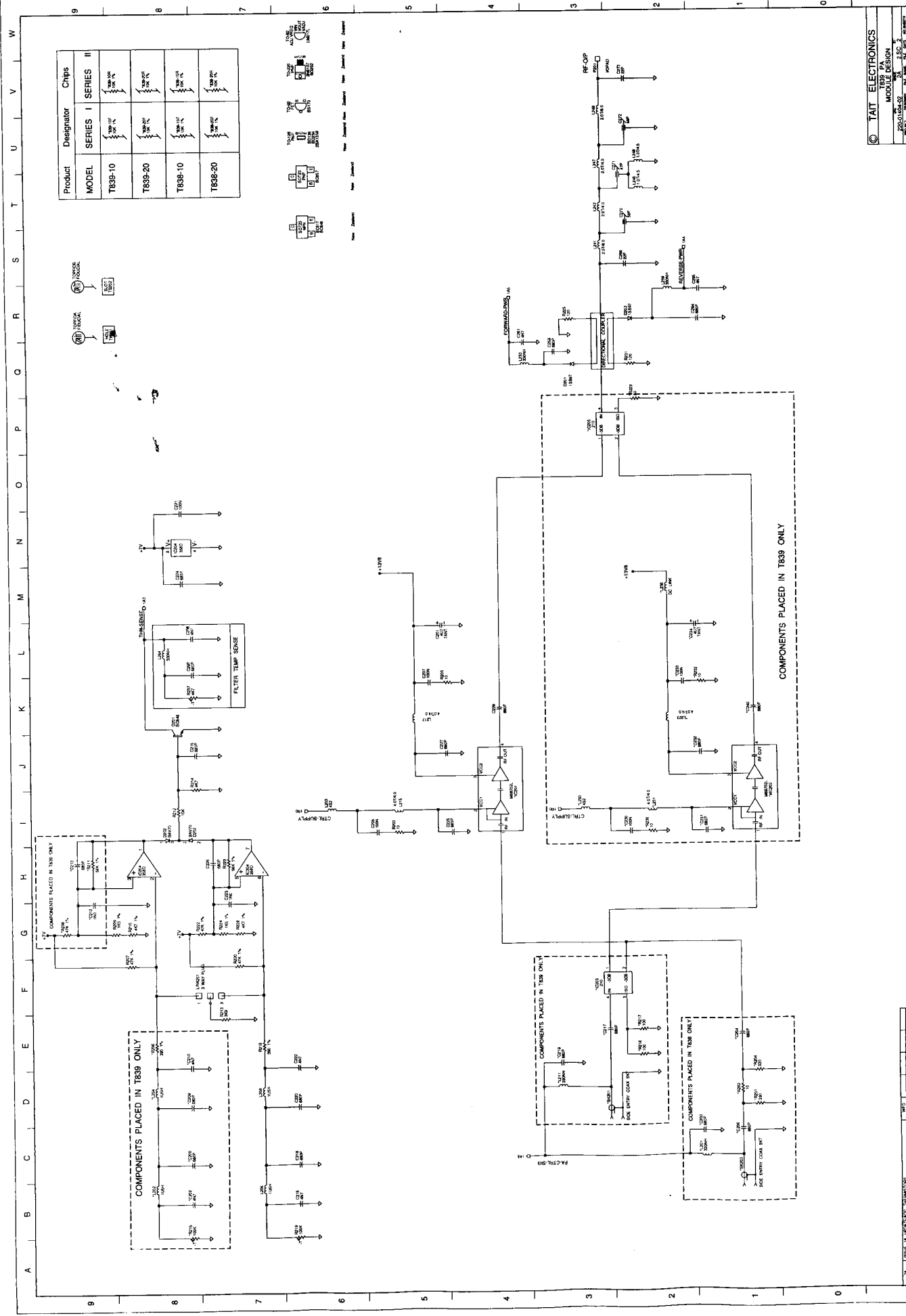
ALL COMPONENTS WITH A \* PLACED IN T839 ONLY

TAIT ELECTRONICS  
T839 PA  
MODULE DESIGN  
200-01404-02  
DESIGNER: T839  
FILE NAME: 1404-02  
DATE: 25.01.91  
WFD: 140402A ICD:47 2

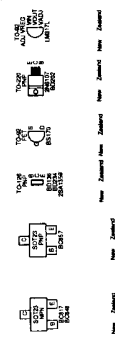
REV/A	#RV7A	#PWR CTRL	USER
REV/B	#RV8B	MON USER	

LINKS REMOVED FOR  
AUSTRALIAN TYPE APPROVAL

REV	ISSUE	DATE	BY	CHKD	D.O.	APVD	DATE
2A	INITIAL MARK-UP FROM TEST		WFD				
1A	UPDATE DRAWING		WFD				



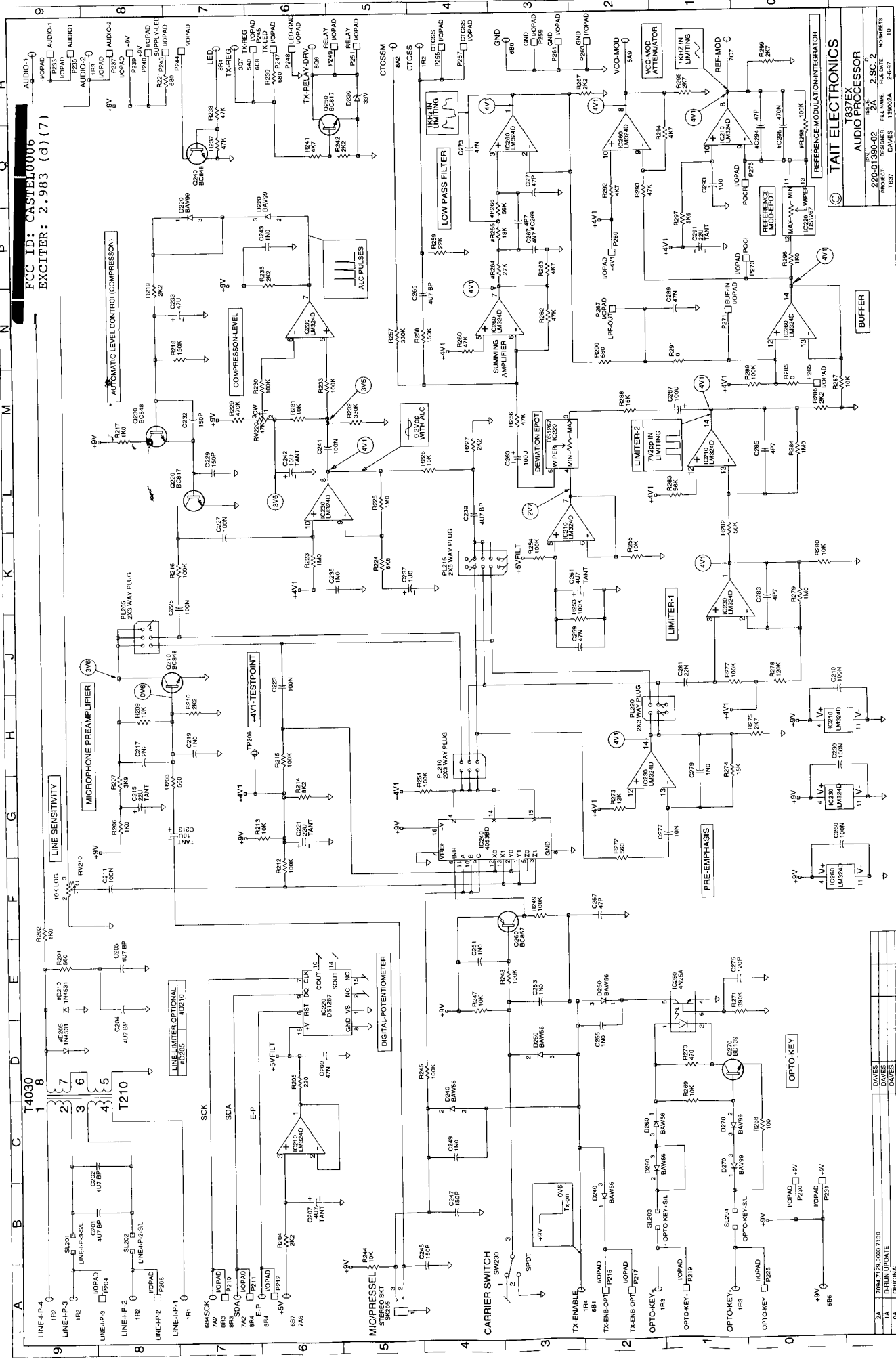
Product	Designator		Chips
	SERIES I	SERIES II	
T839-10	100K	100P	100N
T839-20	100K	100P	100N
T838-10	100K	100P	100N
T838-20	100K	100P	100N



© TAIT ELECTRONICS  
 MODULE DESIGN  
 2200-108-02  
 2.85.2  
 1988

REV	DATE	BY	CHKD
1			

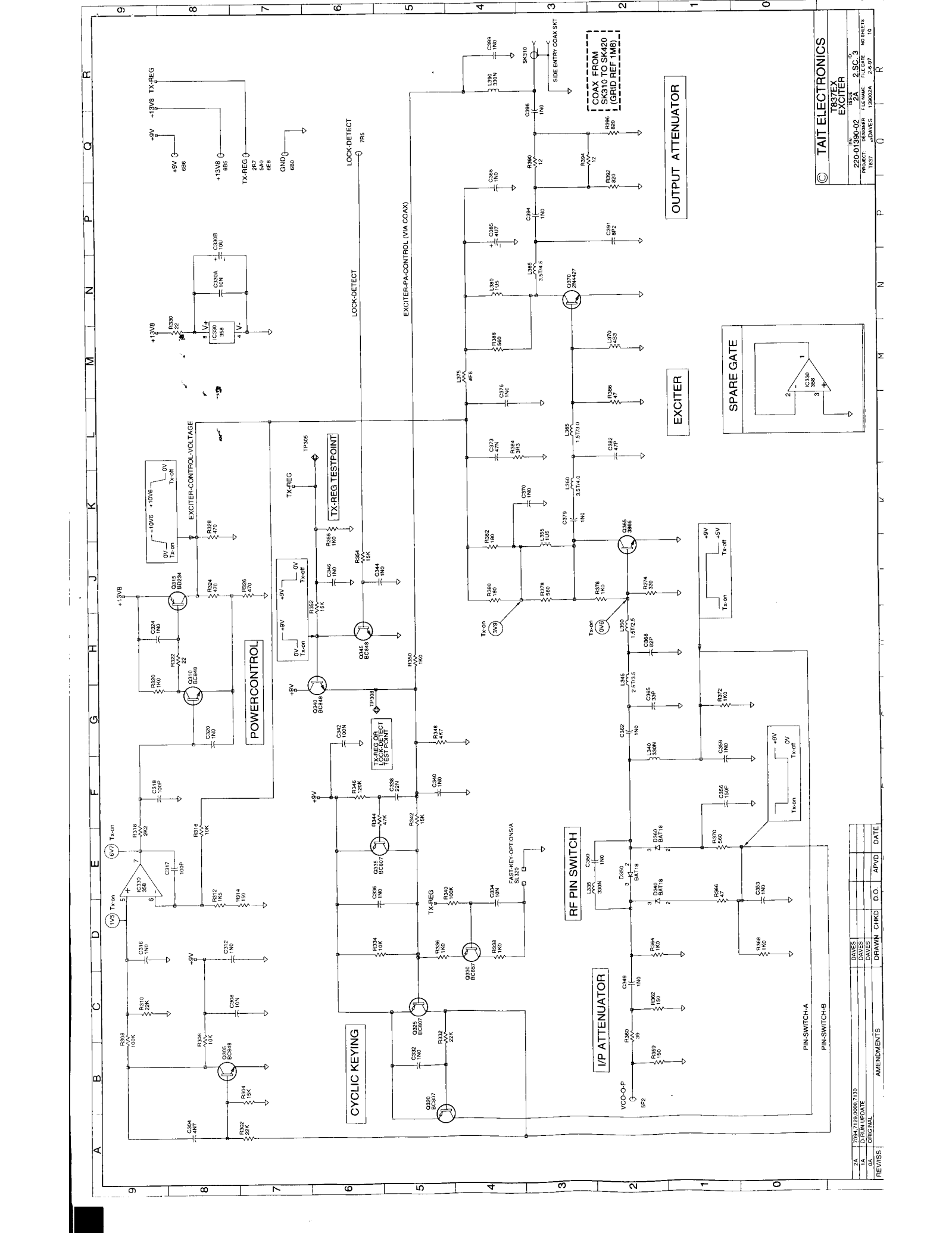
FCC ID: CAS140000  
 EXCITER: 2.983 (d) (7)



TAIT ELECTRONICS  
 T837EX  
 AUDIO PROCESSOR  
 220-01390-02  
 PROJECT DESIGNER: DAVES  
 TEST: 130024 2-8-87 10

REV	DATE	BY	CHKD	D.O.	APVD	DATE
1A	08/22/87	DAVES				
2A	08/22/87	DAVES				
3A	08/22/87	DAVES				
4A	08/22/87	DAVES				
5A	08/22/87	DAVES				
6A	08/22/87	DAVES				
7A	08/22/87	DAVES				
8A	08/22/87	DAVES				
9A	08/22/87	DAVES				
10A	08/22/87	DAVES				

AMENDMENTS



TAIT ELECTRONICS  
 T837EX  
 EXCITER  
 220-01390-02  
 PROJECT DESIGNER FILE NAME FILE DATE NO SHEETS  
 TEST J. DAVES 130002A 7-6-97 10

REV/ISS	AMENDMENTS	DRAWN	CHKD	D.O.	APVD	DATE
2A	7084-1720-0000-7130	DAVES				
1A	D-RUN UPDATE	DAVES				
0A	ORIGINAL	DAVES				

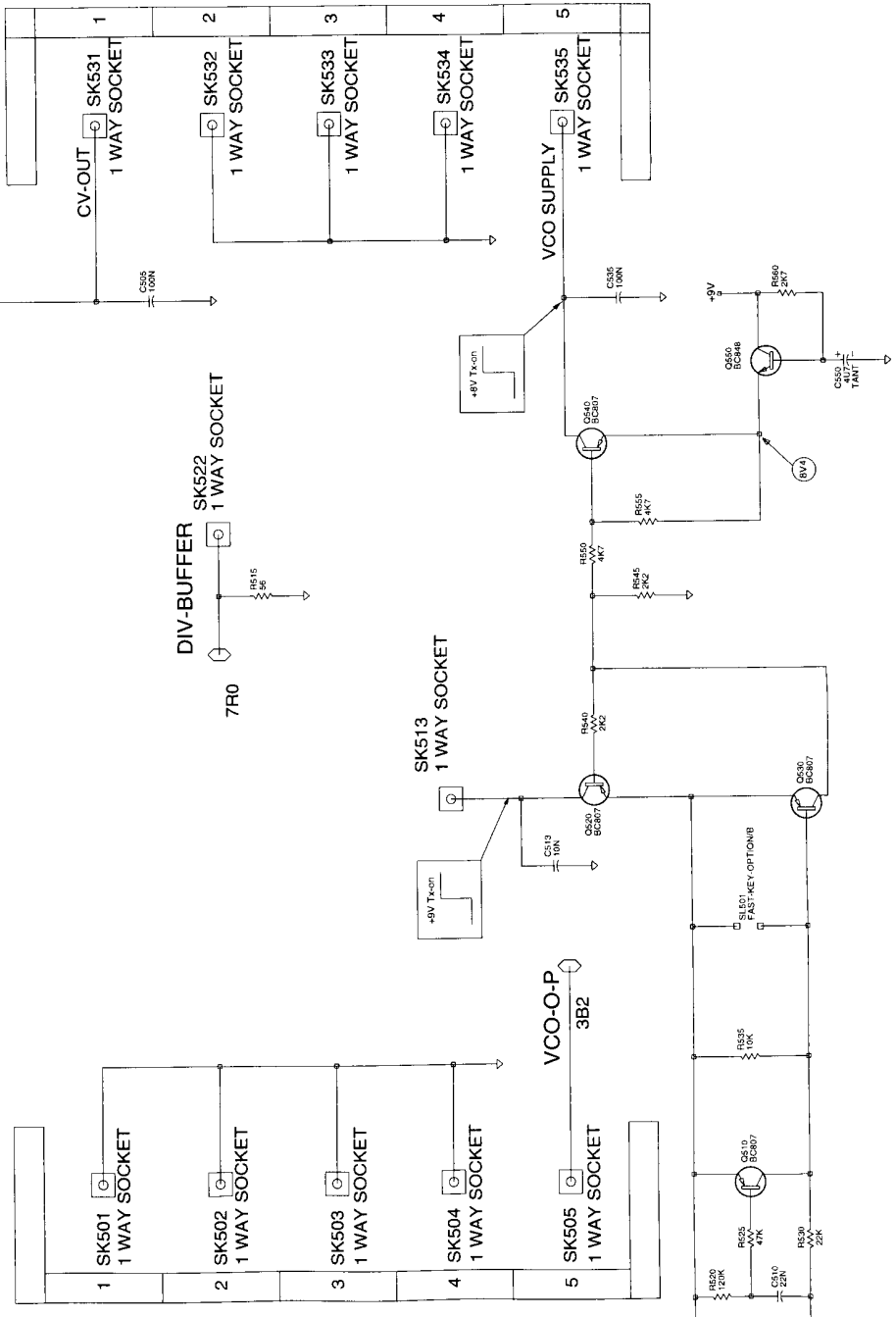
VCO-MOD  
2R2

CNTRL-VOLT  
7R3

GND  
6B0

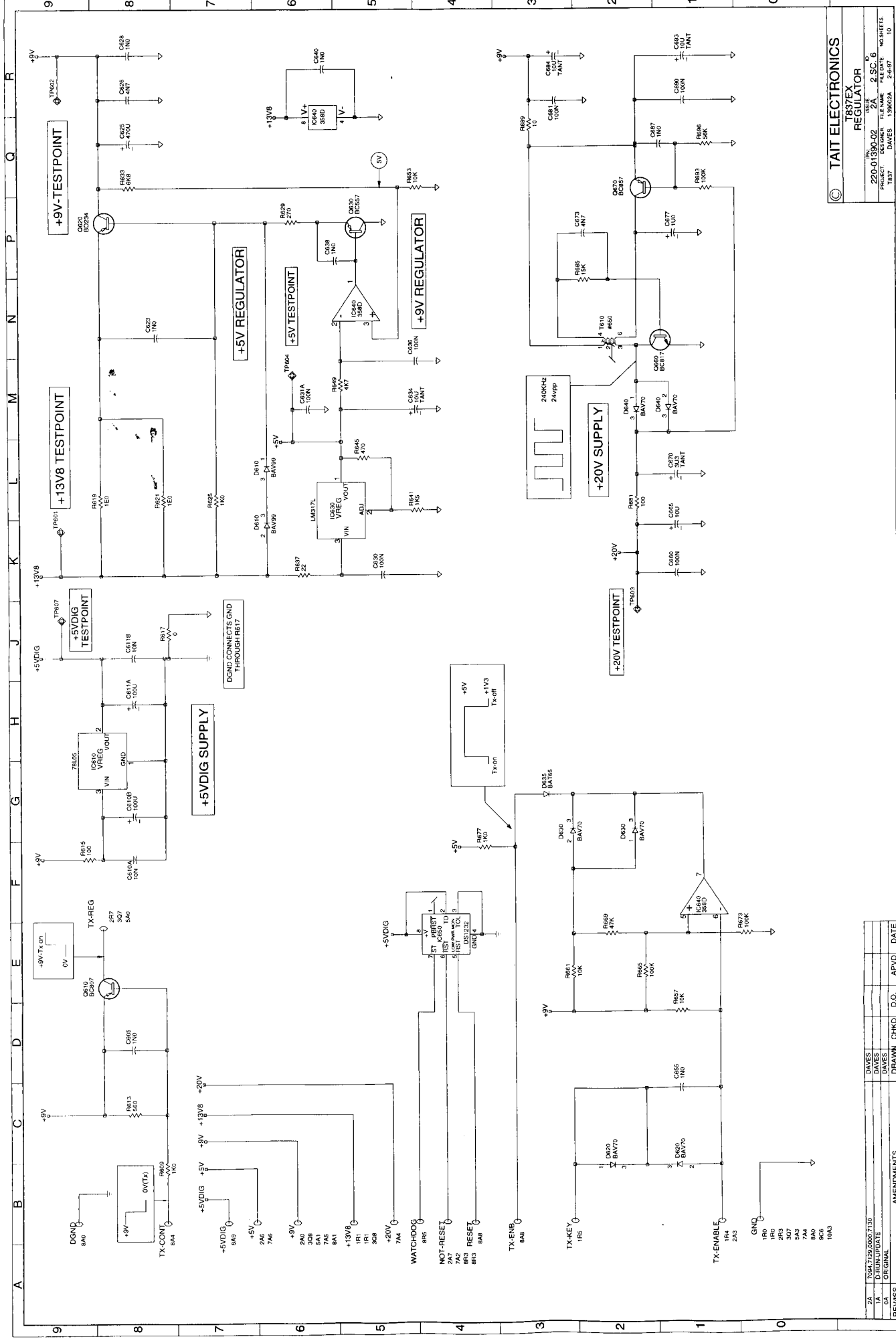
+9V  
6B6

TX-REG  
2R7  
307  
6E8



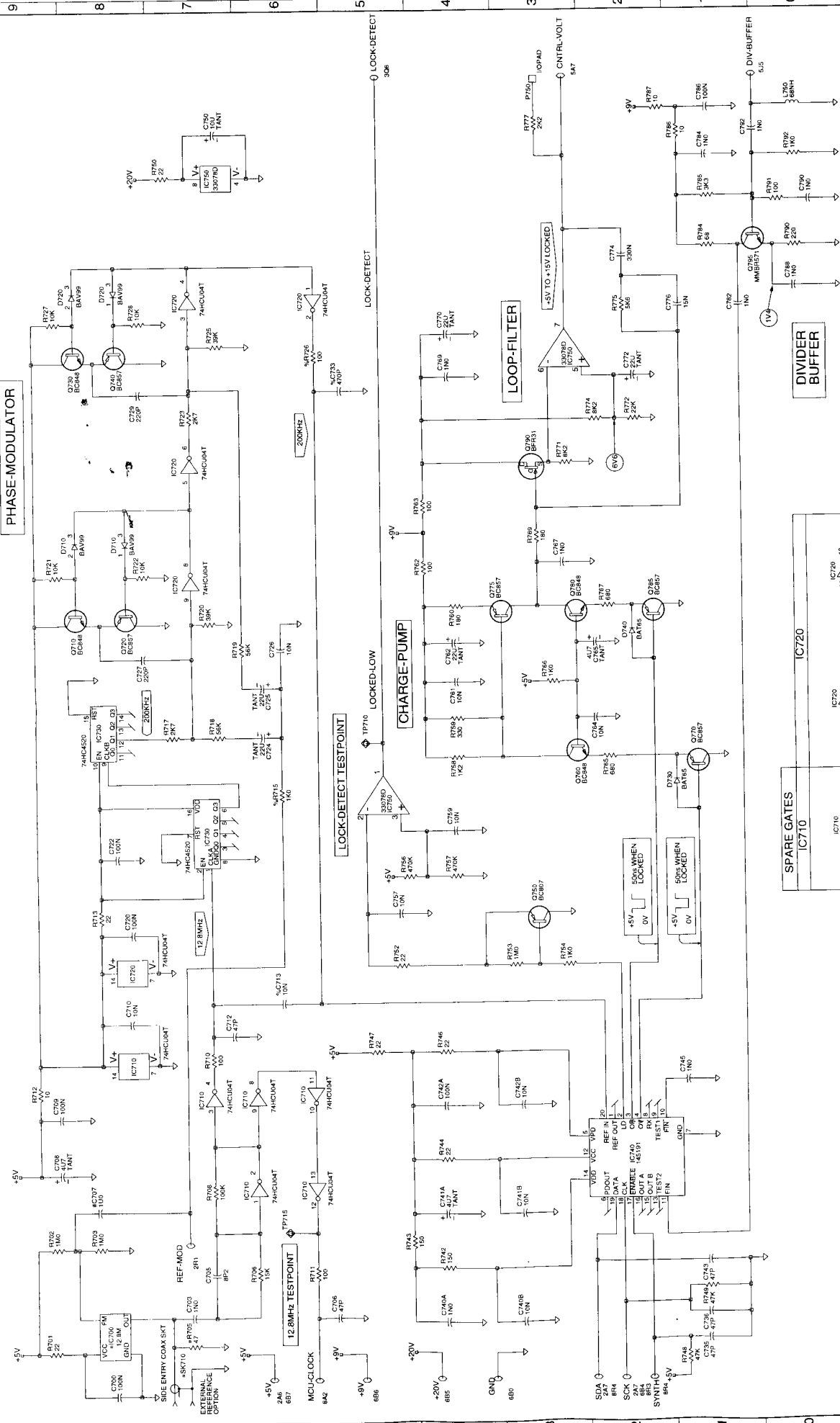
TAIT ELECTRONICS  
 T837EX  
 VCO-SUB-ASSY  
 220-01390-02  
 PROJECT: 139002A  
 TEST: DAVES 2-6-67

REV/ISS	DATE	BY	CHKD	DATE
2A	2064.7.20.0000.7130	DAVES		
1A	D-RUN-UPDATE	DAVES		
0A	ORIGINAL	DAVES		
AMENDMENTS				
		DRAWN	CHKD	D.O.
		APVD		DATE



© TAIT ELECTRONICS  
**T837EX  
 REGULATOR**  
 220-01390-02  
 2 SC. 6  
 1387 DAVES 1387022A 2-8-97

REV/ISS	AMENDMENTS	DRWN	CHKD	D.O.	APVD	DATE
2A	704/7/95/0000/1330	DAVES				
1A	D-RUN UPDATE	DAVES				
0A	ORIGINAL	DAVES				

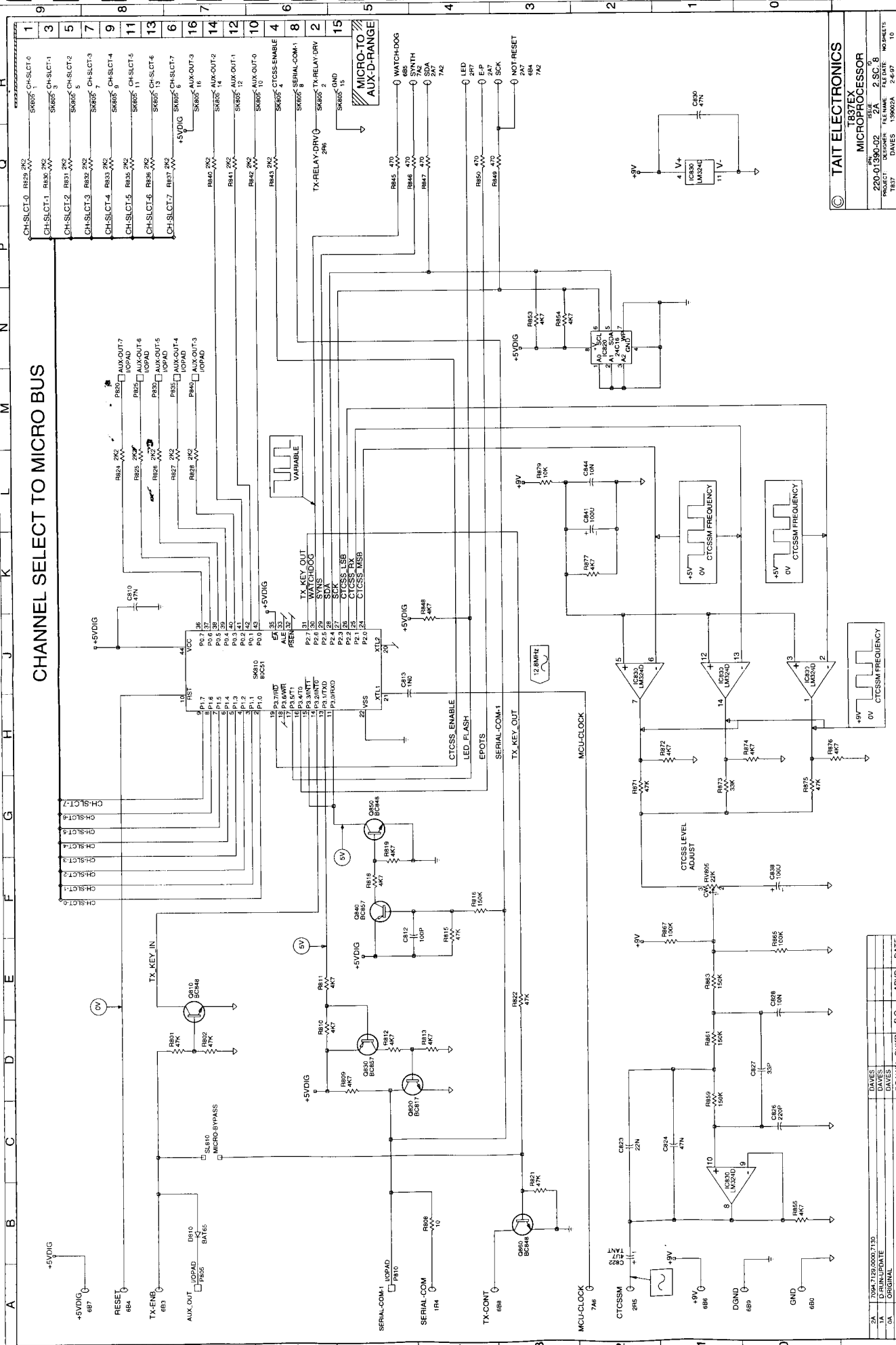


TAIT ELECTRONICS  
 1837EX  
 SYNTHESIZER  
 220-01390-02  
 2A  
 2 SC 7  
 PROJECT DESIGNER FILE NAME FILE DATE NO SHEETS  
 1837 DAVES 139002A 2-6-97 10

A B C D E F G H J K L M N P Q R  
 1 2 3 4 5 6 7 8 9

REV	DATE	APVD	DATE
1	7/29/95	DAVES	
2	7/29/95	DAVES	
3		DAVES	
4		DAVES	
5		DAVES	
6		DAVES	
7		DAVES	
8		DAVES	
9		DAVES	
10		DAVES	
11		DAVES	
12		DAVES	
13		DAVES	
14		DAVES	
15		DAVES	
16		DAVES	
17		DAVES	
18		DAVES	
19		DAVES	
20		DAVES	
21		DAVES	
22		DAVES	
23		DAVES	
24		DAVES	
25		DAVES	
26		DAVES	
27		DAVES	
28		DAVES	
29		DAVES	
30		DAVES	
31		DAVES	
32		DAVES	
33		DAVES	
34		DAVES	
35		DAVES	
36		DAVES	
37		DAVES	
38		DAVES	
39		DAVES	
40		DAVES	
41		DAVES	
42		DAVES	
43		DAVES	
44		DAVES	
45		DAVES	
46		DAVES	
47		DAVES	
48		DAVES	
49		DAVES	
50		DAVES	
51		DAVES	
52		DAVES	
53		DAVES	
54		DAVES	
55		DAVES	
56		DAVES	
57		DAVES	
58		DAVES	
59		DAVES	
60		DAVES	
61		DAVES	
62		DAVES	
63		DAVES	
64		DAVES	
65		DAVES	
66		DAVES	
67		DAVES	
68		DAVES	
69		DAVES	
70		DAVES	
71		DAVES	
72		DAVES	
73		DAVES	
74		DAVES	
75		DAVES	
76		DAVES	
77		DAVES	
78		DAVES	
79		DAVES	
80		DAVES	
81		DAVES	
82		DAVES	
83		DAVES	
84		DAVES	
85		DAVES	
86		DAVES	
87		DAVES	
88		DAVES	
89		DAVES	
90		DAVES	
91		DAVES	
92		DAVES	
93		DAVES	
94		DAVES	
95		DAVES	
96		DAVES	
97		DAVES	
98		DAVES	
99		DAVES	
100		DAVES	

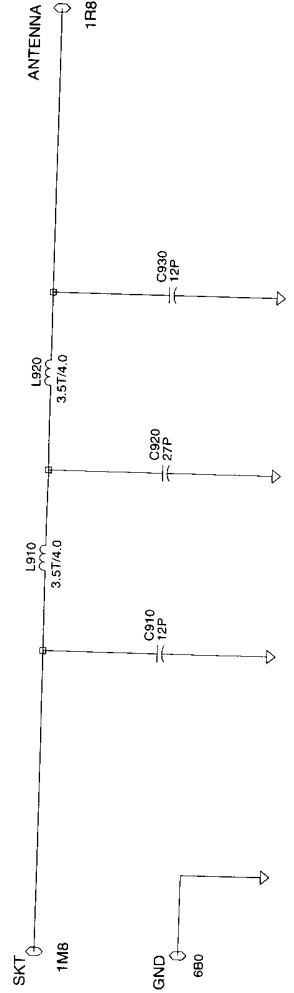
# CHANNEL SELECT TO MICRO BUS



**TAIT ELECTRONICS**  
**1837EX**  
**MICROPROCESSOR**  
 220.01390.02  
 PROJECT: 220.01390.02 FILE NAME: 2.SC.5  
 DRAWN: 1837 DATE: 2-6-97  
 CHECKED: DAVES  
 APPROVED: DAVES  
 NO. SHEETS: 10

REV/ISS	DATE	BY	CHKD	D.O.	APVD	DATE
2A	2004.7.29.0000.7.130	DAVES				
1A	D-RUN-UPDATE	DAVES				
0A	ORIGINAL	DAVES				

9 8 7 6 5 4 3 2 1 0



HARMONIC-FILTER

**DIODE PHYSICAL PIN OUTS**

- SOT23 DIODE**  
PART: BAT18  
PINOUT: A, K, NP
- SOT23 DIODES**  
PART: BAV70  
PINOUT: A, A, A
- SOT23 DIODES**  
PART: BAV99  
PINOUT: A, A, K
- SOT23 DIODES**  
PART: BAV56  
PINOUT: A, K, K
- BATTERY**  
PART: BAT65  
PINOUT: K, A

**TRANSISTOR PHYSICAL PIN OUTS**

- SOT23 PNP**  
PART: BC857, BC807
- SOT23 FET**  
PART: BFR31
- SOT23 NPN**  
PART: BC848, BC817, MM8RS71, MM8RS51L
- TO-92 PNP**  
PART: BC557
- TO-92 FET**  
PART: BF247
- TO-126 PNP**  
PART: BD234

**TANTALUMS**

- CHIP TANTALUMS**

© TAIT ELECTRONICS  
T837EX  
HARMONIC-FILTER  
IPN: 220-01390-02  
ISSUE: 2A  
DESIGNER: DAVES  
FILE NAME: 139002A  
FILE DATE: 2-6-97  
AC SHEETS: 10

2A	7094.7128.0000.7130	DAVES	DATE
1A	D-RUN/UPDATE	DAVES	APVD
0A	ORIGINAL	DAVES	D.O.
REV/ISS	AMENDMENTS	DRAWN	CHKD

M L K J H G F E D C B A

**T837 Grid Reference Index**

Device	PCB	Circuit	Device	PCB	Circuit	Device	PCB	Circuit	Device	PCB	Circuit
A2	nil	1-A1	C317	2:F8	3-E8	C735	1:J2	7-A1	D640	1:L5	6-M1
B837	2:E2	10-K5	C318	2:F8	3-F9	C736	1:J2	7-B1	D640	1:L5	6-M2
B837-	2:E2	10-K5	C320	2:F7	3-G8	C743	1:H2	7-B1	D710	1:J3	7-L8
B837_	2:E2	10-L5	C324	2:F8	3-H9	C745	1:G3	7-D1	D710	1:J3	7-L8
B83710	2:F2	10-G5	C332	2:E4	3-B5	C750	1:H4	7-Q7	D720	1:H3	7-P8
B83713	2:F2	10-H5	C334	2:E4	3-D4	C757	1:G4	7-F5	D720	1:H3	7-P8
B83715	2:F2	10-H5	C336	2:E4	3-D6	C759	1:G4	7-G4	D730	1:H3	7-H1
B83720	2:F2	10-J5	C338	2:E5	3-F5	C761	1:G3	7-J4	D740	1:H3	7-K2
B83723	2:F2	10-J5	C340	2:E5	3-F5	C762	1:G3	7-K4	D810	1:M2	8-B7
B83725	2:F2	10-J5	C342	2:E4	3-G6	C764	1:H3	7-J2	E3	nil	1-E2
BOTFIDA	2:A8	10-J3	C344	2:E5	3-J5	C765	1:G3	7-K2	H9	nil	1-P9
BOTFIDB	2:P2	10-K3	C346	2:E6	3-J6	C767	1:H3	7-K3	IC210	1:C7	2-H0
BOTHOLE	2:B1	10-C3	C349	2:F4	3-C2	C769	1:H4	7-N4	IC210	1:C7	2-Q0
BOTSLOT	2:P1	10-D3	C350	2:F4	3-E3	C770	1:H4	7-N4	IC210	1:C7	2-K2
C201	1:C1	2-B8	C353	2:F4	3-D0	C772	1:G4	7-N2	IC210	1:C7	2-L1
C202	1:C1	2-C8	C356	2:E4	3-F1	C774	1:H4	7-P2	IC210	1:C7	2-C6
C204	1:A2	2-E8	C359	2:E5	3-F1	C776	1:H4	7-N1	IC220	1:D6	2-P0
C205	1:A2	2-E8	C362	2:F4	3-G2	C782	1:G2	7-N1	IC220	1:D6	2-M3
C207	1:C7	2-B6	C365	2:F4	3-G2	C784	1:G2	7-Q1	IC220	1:D6	2-D5
C209	1:C6	2-D6	C368	2:F5	3-H2	C786	1:G2	7-R1	IC230	1:B4	2-G0
C210	1:C7	2-H0	C370	2:F5	3-K3	C788	1:G3	7-P0	IC230	1:B4	2-J0
C211	1:B7	2-F8	C373	1:E6	3-L4	C790	1:G3	7-Q0	IC230	1:B4	2-L5
C213	1:B6	2-G8	C376	2:F8	3-L4	C792	1:G3	7-Q0	IC230	1:B4	2-N6
C215	1:B6	2-G8	C379	2:F5	3-K3	C810	1:L3	8-K8	IC230	1:B4	2-G1
C217	1:C6	2-H8	C382	2:E5	3-L2	C812	1:L2	8-F5	IC240	1:D4	2-F3
C219	1:C6	2-H7	C385	1:F6	3-P4	C813	1:K2	8-H5	IC250	1:D3	2-E1
C221	1:D5	2-G6	C388	2:F7	3-P4	C822	1:M2	8-B2	IC260	1:D8	2-N0
C223	1:C5	2-J6	C391	2:E6	3-P2	C823	1:M3	8-C2	IC260	1:D8	2-F0
C225	1:C3	2-K7	C394	2:E6	3-P3	C824	1:M2	8-C1	IC260	1:D8	2-Q2
C227	1:B4	2-K7	C396	2:E6	3-Q3	C826	1:N3	8-C0	IC260	1:D8	2-Q3
C229	1:B3	2-L7	C399	2:E5	3-R4	C827	1:N3	8-D0	IC260	1:D8	2-N3
C230	1:B4	2-H0	C503	1:K6	5-L9	C828	1:N3	8-E0	IC330	1:E8	3-E9
C232	1:A4	2-M7	G505	1:K6	5-M6	C830	1:N3	8-R1	IC330	1:E8	3-M8
C233	1:A5	2-N7	C510	1:J5	5-C0	C838	1:N4	8-F0	IC330	1:E8	3-M0
C235	1:B5	2-K5	C513	1:H5	5-G2	C841	1:N2	8-K2	IC610	1:M5	6-G8
C237	1:C4	2-K5	C535	1:K5	5-M2	C844	1:M2	8-L2	IC630	1:N5	6-K5
C239	1:C4	2-L4	C550	1:K4	5-L0	C910	1:P7	9-E4	IC640	1:M5	6-F1
C241	1:B4	2-M6	C605	1:L6	6-D8	C920	1:P7	9-F4	IC640	1:M5	6-Q6
C242	1:B3	2-L6	C623	1:M6	6-N8	C930	1:P6	9-G4	IC640	1:M5	6-N6
C243	1:B4	2-P6	C625	1:M6	6-Q8	C330A	2:F8	3-N8	IC650	1:L5	6-F4
C245	1:C5	2-A4	C626	1:M6	6-R8	C330B	1:F8	3-N8	=IC700	1:K3	7-A8
C247	1:D4	2-B4	C628	1:M6	6-R8	C610A	1:M5	6-F8	IC710	1:J2	7-E8
C249	1:D4	2-C4	C630	1:M5	6-K5	C610B	1:M5	6-G8	IC710	1:J2	7-C6
C251	1:C3	2-E4	C634	1:N5	6-M4	C611A	1:L5	6-H8	IC710	1:J2	7-G0
C253	1:D3	2-E3	C636	1:M5	6-M4	C611B	1:M5	6-J8	IC710	1:J2	7-D6
C255	1:D3	2-D2	C638	1:M6	6-P5	C631A	1:M5	6-M6	IC710	1:J2	7-D7
C257	1:D3	2-F2	C640	1:M5	6-R6	C740A	1:H2	7-B4	IC710	1:J2	7-D6
C259	1:C6	2-J2	C655	1:M4	6-C1	C740B	1:H2	7-B3	IC710	1:J2	7-D6
C260	1:D8	2-G0	C660	1:L5	6-K1	C741A	1:H2	7-C4	IC710	1:J2	7-C6
C261	1:C6	2-K2	C665	1:L5	6-K1	C741B	1:G2	7-C3	IC720	1:J3	7-P6
C263	1:D6	2-L3	C670	1:L6	6-L1	C742A	1:H2	7-D4	IC720	1:J3	7-J0
C265	1:D5	2-N4	C673	1:L5	6-P2	C742B	1:H3	7-D3	IC720	1:J3	7-N7
C267	1:C8	2-P3	C677	1:L6	6-P1	D111	1:P4	1-R1	IC720	1:J3	7-M7
#C269	1:C8	2-P3	C681	1:M5	6-R3	#D205	1:B2	2-D9	IC720	1:J3	7-K7
C271	1:C8	2-Q3	C684	1:M5	6-R3	#D210	1:B2	2-E9	IC720	1:J3	7-F8
C273	1:C8	2-Q4	C687	1:L6	6-Q1	D220	1:B4	2-P7	IC720	1:J3	7-K0
C275	1:D3	2-E1	C690	1:L6	6-R1	D220	1:B4	2-P6	IC730	1:J4	7-H8
C277	1:C4	2-G1	C693	1:L6	6-R1	D230	1:B7	2-R5	IC730	1:J4	7-G7
C279	1:B4	2-G1	C700	1:K4	7-A8	D240	1:D4	2-C4	IC740	1:H2	7-D1
C281	1:B5	2-J1	C703	1:J3	7-B7	D240	1:D4	2-B2	IC750	1:H4	7-N3
C283	1:B5	2-K0	C705	1:J3	7-B7	D250	1:D3	2-E2	IC750	1:H4	7-H5
C285	1:D7	2-L0	C706	1:J2	7-B5	D250	1:D3	2-D3	IC750	1:H4	7-Q7
C287	1:C6	2-M1	#C707	1:K4	7-C8	D260	1:C2	2-C2	IC820	1:L4	8-N2
C289	1:C8	2-N1	C708	1:J2	7-C9	D260	1:C2	2-C2	IC830	1:N3	8-J0
C291	1:D7	2-P1	C709	1:K4	7-D9	D270	1:D2	2-C1	IC830	1:N3	8-Q1
C293	1:D7	2-Q1	C710	1:J3	7-E8	D270	1:D2	2-C1	IC830	1:N3	8-J0
#C294	1:D7	2-Q0	C712	1:H2	7-E7	D340	2:F4	3-D2	IC830	1:N3	8-J1
#C295	1:D6	2-Q0	%C713	1:H2	7-E6	D350	2:F4	3-E2	IC830	1:N3	8-C0
C304	2:F7	3-A8	C720	1:J3	7-F8	D360	2:F4	3-E2	L335	1:F4	3-E3
C308	2:F7	3-C8	C722	1:J4	7-G8	D610	1:N6	6-L6	L340	1:E4	3-F2
C312	2:F7	3-D8	C724	1:J4	7-H6	D610	1:N6	6-K6	L345	1:F5	3-H2
C316	2:E8	3-D9	C725	1:J4	7-J6	D620	1:N4	6-B1	L350	1:F5	3-H2
			C726	1:K4	7-J6	D620	1:N4	6-B2	L355	1:F5	3-J3
			C727	1:J3	7-J8	D630	1:M5	6-G2	L360	1:F5	3-K3
			C729	1:H3	7-M8	D630	1:M5	6-G3	L365	1:E5	3-L3
			%C733	1:J3	7-M5	D635	1:M4	6-G3	L370	1:E5	3-M2
									L375	1:E6	3-M4

## T837 Grid Reference Index

## T837 Preliminary PCB Information

<u>Device</u>	<u>PCB</u>	<u>Circuit</u>	<u>Device</u>	<u>PCB</u>	<u>Circuit</u>	<u>Device</u>	<u>PCB</u>	<u>Circuit</u>	<u>Device</u>	<u>PCB</u>	<u>Circuit</u>
R746	1:H3	7-E4	R871	1:N3	8-G2	TP710	1:H4	7-H5			
R747	1:H3	7-E5	R872	1:M4	8-H1	TP715	1:J2	7-C6			
R748	1:J2	7-A1	R873	1:N3	8-G1	V5	nil	1-G5			
R749	1:J2	7-B1	R874	1:N3	8-H0						
R750	1:H4	7-Q7	R875	1:N3	8-G0						
R752	1:G4	7-F5	R876	1:N3	8-H0						
R753	1:G4	7-F3	R877	1:M2	8-K2						
R754	1:G3	7-F3	R879	1:N2	8-L3						
R756	1:G3	7-G5	RV210	1:B7	2-F9						
R757	1:G4	7-G4	RV220	1:A4	2-M6						
R758	1:H3	7-H4	RV805	1:N4	8-F1						
R759	1:H3	7-J4	S7	nil	1-G2						
R760	1:H3	7-K4	SK205	1:B5	2-A5						
R762	1:H3	7-K4	SK310	1:E7	3-R3						
R763	1:H4	7-L4	SK420	1:M8	1-M8						
R765	1:H3	7-H2	SK501	1:G6	5-D6						
R766	1:G3	7-J3	SK502	1:G6	5-D5						
R767	1:H3	7-K2	SK503	1:G6	5-D4						
R769	1:H3	7-L3	SK504	1:G5	5-D3						
R771	1:H4	7-M3	SK505	1:G5	5-D2						
R772	1:G4	7-M2	SK513	1:H5	5-H3						
R774	1:H4	7-M2	SK522	1:H6	5-K5						
R775	1:H4	7-N2	SK531	1:K6	5-N6						
R777	1:H4	7-R3	SK532	1:K5	5-N5						
R784	1:G3	7-P1	SK533	1:K5	5-N4						
R785	1:G3	7-Q1	SK534	1:K5	5-N3						
R786	1:G2	7-Q1	SK535	1:K5	5-N2						
R787	1:G2	7-R2	=SK710	1:K3	7-A7						
R790	1:G3	7-P0	SK805	1:K3	8-R9						
R791	1:G3	7-Q0	SK805	1:K3	8-R7						
R792	1:G3	7-Q0	SK805	1:K3	8-R5						
R801	1:M2	8-D7	SK805	1:K3	8-R7						
R802	1:M2	8-D7	SK805	1:K3	8-R8						
R808	1:L2	8-B4	SK805	1:K3	8-R7						
R809	1:L2	8-D5	SK805	1:K3	8-R8						
R810	1:L2	8-D6	SK805	1:K3	8-R6						
R811	1:L2	8-E6	SK805	1:K3	8-R8						
R812	1:L2	8-D5	SK805	1:K3	8-R6						
R813	1:L2	8-D4	SK805	1:K3	8-R6						
R815	1:L2	8-F4	SK805	1:K3	8-R9						
R816	1:L2	8-F4	SK805	1:K3	8-R6						
R818	1:M2	8-F5	SK805	1:K3	8-R9						
R819	1:M2	8-F5	SK805	1:K3	8-R7						
R821	1:M4	8-B3	SK805	1:K3	8-R8						
R822	1:M4	8-E3	SK810	1:M3	8-H5						
R824	1:L4	8-L8	SL201	2:D1	2-B9						
R825	1:L4	8-L8	SL202	2:D1	2-B8						
R826	1:L4	8-L8	SL203	2:D2	2-B2						
R827	1:L4	8-L7	SL204	2:D2	2-B1						
R828	1:L4	8-L7	SL320	1:E4	3-E4						
R829	1:L4	8-Q9	SL501	2:J5	5-F0						
R830	1:L3	8-Q9	SL810	1:M2	8-C7						
R831	1:L3	8-Q9	SW230	1:B8	2-B4						
R832	1:L3	8-Q8	T210	1:B2	2-C8						
R833	1:L3	8-Q8	T610	1:L5	6-N2						
R835	1:L3	8-Q8	T837	1:D2	10-E5						
R836	1:L3	8-Q8	T837-	1:D2	10-D5						
R837	1:L3	8-Q7	T837_	1:D2	10-E5						
R840	1:L3	8-Q7	T83710	1:F2	10-B5						
R841	1:L3	8-Q7	T83713	1:F2	10-B5						
R842	1:L3	8-Q6	T83715	1:F2	10-B5						
R843	1:L3	8-Q6	T83720	1:F2	10-C5						
R845	1:M4	8-Q5	T83723	1:F2	10-C5						
R846	1:K2	8-Q4	T83725	1:F2	10-D5						
R847	1:K2	8-Q4	TOPFIDA	1:A3	10-H3						
R848	1:L2	8-J4	TOPFIDB	1:P8	10-J3						
R849	1:M4	8-Q3	TOPHOLE	1:B9	10-B3						
R850	1:K2	8-Q4	TOPSLOT	1:P9	10-C3						
R853	1:M4	8-N3	TP206	1:D5	2-H7						
R854	1:M4	8-N3	TP305	2:E6	3-L6						
R855	1:M2	8-B0	TP308	1:E5	3-G6						
R859	1:N2	8-C1	TP601	1:N5	6-K9						
R861	1:N2	8-D1	TP602	1:L6	6-R9						
R863	1:N3	8-E1	TP603	1:L5	6-J2						
R865	1:N4	8-E0	TP604	1:L5	6-M6						
R867	1:N3	8-E1	TP607	1:L4	6-J9						

**T838 Grid Reference Index**

Device	PCB	Circuit	Device	PCB	Circuit	Device	PCB	Circuit	Device	PCB	Circuit
*C101	1:E4	1-B8	C220	1:E5	2-D9	*L231	1:L4	2-J4	R141	1:E3	1-B5
*C103	1:E4	1-B9	C221	1:E5	2-Q9	L233	1:F6	2-R6	R142	1:E3	1-E7
*C105	1:B3	1-D8	C222	1:E5	2-E9	*L236	1:H6	2-N3	R143	1:E4	1-F6
*C107	1:B3	1-D9	C223	1:D5	2-H9	L239	1:E5	2-R3	R144	1:D3	1-F6
*C109	1:B3	1-D8	C224	1:D5	2-N9	L241	1:D6	2-R4	R145	1:E4	1-F7
*C111	1:C4	1-D8	C225	1:L6	2-J7	L243	1:C6	2-R4	R146	1:E4	1-G7
*C113	1:B5	1-F8	C226	1:D4	2-H9	L245	1:C7	2-R4	R148	1:C5	1-D5
*C115	1:B5	1-F8	C227	1:K6	2-K7	L247	1:C6	2-R4	R149	1:C5	1-C4
*C117	1:B5	1-F9	C229	1:H6	2-L6	L248	1:D7	2-R4	R150	1:C4	1-F0
*C119	1:B5	1-G8	*C230	1:L4	2-J4	L249	1:B6	2-R4	R151	1:B5	1-D5
*C121	1:D4	1-B6	*C231	1:L4	2-J3	L264	1:C6	2-M9	R152	1:B5	1-C3
*C123	1:D4	1-B6	*C232	1:K4	2-K3	LINK1	1:D3	1-L0	R153	1:C5	1-F4
*C125	1:C4	1-D7	*C233	1:K4	2-M3	LINK2	1:P6	1-D1	R154	1:C5	1-F3
*C127	1:C4	1-D6	*C234	1:J4	2-N3	LINK201	1:D5	2-F9	R155	1:D3	1-F2
C129	1:B3	1-H5	*C240	1:H4	2-L2	P101	1:A5	1-R9	R156	1:D3	1-F3
C131	1:B3	1-J6	C259	1:F7	2-R5	P103	1:K3	1-R0	R157	1:D4	1-G0
C132	1:A3	1-K7	C261	1:F6	2-R6	P105	1:K2	1-R0	R158	1:C4	1-H3
C133	1:B4	1-K8	C268	1:E6	2-R4	P201	1:B6	2-R4	R159	1:C4	1-H4
C137	1:B2	1-K8	C270	1:D6	2-R4	PL101	1:L3	1-C2	R160	1:C3	1-J5
C138	1:B2	1-L8	C271	1:C6	2-R4	*Q101	1:C3	1-C9	R161	1:B3	1-J3
C139	1:B4	1-M6	C272	1:B6	2-R4	*Q103	1:B3	1-E8	R162	1:B3	1-K4
C141	1:B3	1-M8	C273	1:B6	2-R4	*Q105	1:C4	1-D7	R163	1:P7	1-K5
C143	1:E3	1-E7	C294	1:D6	2-R3	*Q107	1:B5	1-F8	R164	1:B3	1-K4
C145	1:E3	1-F7	C295	1:D6	2-R3	*Q109	1:A5	1-G9	R165	1:B4	1-K4
C147	1:D3	1-F6	C297	1:C5	2-M9	Q111	1:A3	1-J7	R166	1:P6	1-L5
C149	1:D3	1-F7	C298	1:C6	2-M9	Q113	1:A3	1-K6	R168	1:E4	1-A1
C151	1:C5	1-D5	D101	1:B3	1-H5	Q115	1:A3	1-L7	R169	1:E4	1-A0
C153	1:B5	1-D3	D101	1:B3	1-G5	Q117	1:B4	1-K8	R170	1:D4	1-B0
C155	1:D3	1-G3	D103	1:P7	1-K9	Q119	1:B4	1-L6	R171	1:E4	1-B0
C159	1:B3	1-H2	D105	1:C2	1-J2	Q121	1:B3	1-L8	R172	1:E4	1-B0
C161	1:B4	1-K4	D105	1:C2	1-J2	Q123	1:E3	1-E7	R173	1:P6	1-C1
C162	1:B3	1-L4	D107	1:P7	1-K5	Q125	1:E3	1-F7	R174	1:P6	1-C1
C164	1:B3	1-L4	D109	1:P6	1-L5	Q127	1:D3	1-G7	R175	1:D4	1-C0
C165	1:B3	1-M4	D111	1:C2	1-M1	Q129	1:B4	1-L4	R176	1:D4	1-D0
C167	1:K3	1-P3	D111	1:C2	1-M1	Q131	1:B3	1-M5	R177	1:D4	1-D0
C169	1:K3	1-P3	D113	1:F7	1-Q2	Q133	1:D4	1-D0	R178	1:D3	1-E1
C171	1:K3	1-Q3	D201	1:F6	2-R5	Q135	1:E2	1-H0	R179	1:D4	1-E0
C173	1:D4	1-B0	D202	1:D4	2-J9	Q136	1:E3	1-H0	R180	1:D4	1-E0
C174	1:E4	1-B0	D202	1:D4	2-J9	Q137	1:D2	1-J0	R181	1:E3	1-F2
C176	1:D4	1-E0	D203	1:E6	2-R4	Q201	1:D5	2-L9	R182	1:D4	1-E0
C178	1:C4	1-F0	IC101	1:D4	1-C6	R101	1:E4	1-A8	R183	1:D4	1-F1
C179	1:D3	1-G2	IC101	1:D4	1-G0	*R102	1:E4	1-A9	R184	1:E3	1-G1
C180	1:E2	1-H0	IC101	1:D4	1-B8	R103	1:E4	1-A8	R185	1:E2	1-J0
C181	1:D3	1-G0	IC101	1:D4	1-C0	R104	1:E4	1-B9	R186	1:D2	1-H1
C182	1:D3	1-H1	IC101	1:D4	1-N0	*R105	1:D4	1-C8	R187	1:E2	1-H0
C184	1:D4	1-G0	IC103	1:C4	1-D4	*R106	1:B3	1-C8	R188	1:D2	1-L1
C185	1:D2	1-J1	IC103	1:C4	1-J8	*R107	1:C4	1-D7	R189	1:D2	1-L1
C186	1:E2	1-J0	IC103	1:C4	1-F0	*R108	1:B3	1-E9	R190	1:C3	1-M1
C187	1:D3	1-K1	IC103	1:C4	1-J5	*R109	1:C3	1-E9	R191	1:B2	1-P1
C188	1:C2	1-L1	IC103	1:C4	1-E3	*R111	1:B5	1-E8	R192	1:B2	1-P1
C189	1:C3	1-M1	IC105	1:D3	1-M0	*R112	1:B5	1-E9	R193	1:C2	1-Q1
C190	1:C3	1-N1	IC105	1:D3	1-P0	*R113	1:B5	1-F9	R194	1:D2	1-H0
C192	1:B2	1-N1	IC105	1:D3	1-G2	*R114	1:C4	1-A6	R195	1:D3	1-J0
C193	1:B2	1-P1	IC107	1:D3	1-K1	*R115	1:C5	1-A6	R196	1:D3	1-J0
C195	1:C2	1-Q1	IC109	1:B2	1-N1	*R116	1:D4	1-A7	R197	1:D3	1-L1
C201	1:J7	2-N7	*IC201	1:K6	2-J7	R117	1:C4	1-A6	*R201	1:N6	2-D2
*C202	1:H3	2-B9	*#IC202	1:K4	2-J2	R118	1:D4	1-B6	*R202	1:N6	2-D2
*C203	1:P7	2-D3	*IC203	1:N5	2-F4	R119	1:D4	1-C7	R203	1:L7	2-J8
*C204	1:M6	2-E2	IC204	1:D5	2-H9	*R121	1:C4	1-C7	*R204	1:N6	2-E2
C205	1:L7	2-J8	IC204	1:D5	2-P9	*R122	1:C4	1-D6	R205	1:K7	2-M7
*C206	1:P6	2-D2	IC204	1:D5	2-H9	R123	1:B4	1-H7	*R206	1:C5	2-E9
C207	1:K7	2-M7	*IC205	1:G5	2-R4	R124	1:B4	1-H8	R207	1:C5	2-G9
*C208	1:H2	2-C9	L101	1:K3	1-P3	R125	1:B4	1-H8	*R208	1:C5	2-G9
*C209	1:C5	2-D9	L103	1:K2	1-Q3	R126	1:B3	1-H6	R209	1:D5	2-G9
*C210	1:C5	2-E9	L105	1:E2	1-K0	R127	1:A3	1-H7	R210	1:D5	2-G9
*C212	1:D5	2-H9	*L201	1:P7	2-C3	R128	1:A3	1-J7	*R211	1:D4	2-H9
*C213	1:D4	2-H9	*L202	1:H3	2-C9	R129	1:B4	1-J9	R212	1:D4	2-J9
C215	1:D5	2-K9	L203	1:L7	2-J9	R130	1:B4	1-J8	R213	1:D5	2-F9
C216	1:H5	2-B9	*L204	1:C5	2-D9	R131	1:A3	1-J7	R214	1:E4	2-K9
*C217	1:P3	2-E4	L206	1:H5	2-C9	R132	1:B5	1-J8	*R215	1:H3	2-B9
C218	1:H5	2-C9	L208	1:E5	2-D9	R133	1:A3	1-K7	*R216	1:P6	2-E4
*C219	1:P2	2-E5	*L211	1:P2	2-D5	R134	1:B3	1-K6	*R217	1:P6	2-E4
			L215	1:L7	2-J8	R135	1:P7	1-K9	R218	1:E5	2-E9
			L217	1:J7	2-L8	R136	1:A3	1-K7	R219	1:H6	2-B9
			*L223	1:J4	2-L3	R137	1:B3	1-K6	R220	1:E5	2-G9
			*L230	1:L4	2-J5	R138	1:B4	1-L6	R222	1:D5	2-G9

<u>Device</u>	<u>PCB</u>	<u>Circuit</u>	<u>Device</u>	<u>PCB</u>	<u>Circuit</u>	<u>Device</u>	<u>PCB</u>	<u>Circuit</u>	<u>Device</u>	<u>PCB</u>	<u>Circuit</u>
*R223	1:F2	2-R4									
R224	1:D4	2-G9									
R225	1:E7	2-R5									
R228	1:E4	2-G9									
R229	1:D4	2-H9									
*R230	1:L4	2-J4									
R231	1:F5	2-R4									
*R232	1:K4	2-M3									
R237	1:C5	2-L9									
RV101	1:C4	1-H8									
RV103	1:C4	1-H6									
RV105	1:C3	1-J5									
RV107	1:C3	1-J3									
RV109	1:P5	1-C2									
*RV111	1:P5	1-D1									
RV113	1:C3	1-D0									
RV115	1:C3	1-K0									
SK101	1:K3	1-A2									
SK103	1:B4	1-B2									
*SK201	1:N3	2-D4									
*SK203	1:N7	2-C2									
TH201	1:A7	2-R9									
TOPFIDA	1:C2	2-R9									
TOPFIDB	1:N7	2-R9									
TS202	1:M7	2-R9									
*838-10F	1:G2	2-R9									
*838-10R	1:G2	2-R9									
*838-20F	1:G2	2-R9									
*838-20R	1:G2	2-R9									
*839-10F	1:G3	2-R9									
*839-10R	1:G3	2-R9									
*839-20F	1:G2	2-R9									
*839-20R	1:G2	2-R9									

R104	.036-16470-00	RES M/F 0805 470K 5%	SK103	.240-10000-05.	CONN SMD SKT 8W 2R M-MATCH
R117	.036-16220-00	RES M/F 0805 220K 5%			
R118	.036-15270-00	RES M/F 0805 27K 5%			
R119	.036-16470-00	RES M/F 0805 470K 5%			
R123	.036-14100-00	RES M/F 0805 1K 5%			
R124	.036-16100-00	RES M/F 0805 100K 5%			
R125	.036-15100-00	RES M/F 0805 10K 5%			
R126	.036-14100-00	RES M/F 0805 1K 5%			
R127	.036-15100-00	RES M/F 0805 10K 5%			
R128	.036-15220-00	RES M/F 0805 22K 5%			
R129	.036-17100-00	RES M/F 0805 1M 5%			
R130	.036-14220-00	RES M/F 0805 2K2 5%			
R131	.036-16180-00	RES M/F 0805 180K 5%			
R132	.036-14100-00	RES M/F 0805 1K 5%			
R133	.036-15100-00	RES M/F 0805 10K 5%			
R134	.036-13470-00	RES M/F 0805 470E 5%			
R135	.036-13680-00	RES M/F 0805 680E 5%			
R136	.036-15100-00	RES M/F 0805 10K 5%			
R137	.036-14220-00	RES M/F 0805 2K2 5%			
R138	.036-15100-00	RES M/F 0805 10K 5%			
R141	.036-15100-00	RES M/F 0805 10K 5%			
R142	.036-15100-00	RES M/F 0805 10K 5%			
R143	.036-15100-00	RES M/F 0805 10K 5%			
R144	.036-15820-00	RES M/F 0805 82K 5%			
R145	.036-15470-00	RES M/F 0805 47K 5%			
R146	.036-14180-00	RES M/F 0805 1K8 5%			
R148	.036-14820-00	RES M/F 0805 8K2 5%			
R149	.036-13470-00	RES M/F 0805 470E 5%			
R150	.036-12220-00	RES M/F 0805 22E 5%			
R151	.036-15100-00	RES M/F 0805 10K 5%			
R152	.036-15100-00	RES M/F 0805 10K 5%			
R153	.036-14680-00	RES M/F 0805 6K8 5%			
R154	.036-14680-00	RES M/F 0805 6K8 5%			
R155	.036-13220-00	RES M/F 0805 220E 5%			
R156	.036-13100-00	RES M/F 0805 100E 5%			
R157	.036-12220-00	RES M/F 0805 22E 5%			
R158	.036-14100-00	RES M/F 0805 1K 5%			
R159	.036-15100-00	RES M/F 0805 10K 5%			
R160	.036-14470-00	RES M/F 0805 4K7 5%			
R161	.036-14100-00	RES M/F 0805 1K 5%			
R162	.036-17100-00	RES M/F 0805 1M 5%			
R163	.036-13680-00	RES M/F 0805 680E 5%			
R164	.036-14220-00	RES M/F 0805 2K2 5%			
R165	.036-14100-00	RES M/F 0805 1K 5%			
R166	.036-13680-00	RES M/F 0805 680E 5%			
R168	.036-15100-10	RES M/F 0805 10K 1%			
R169	.036-14100-00	RES M/F 0805 1K 5%			
R170	.036-14100-00	RES M/F 0805 1K 5%			
R171	.036-14100-00	RES M/F 0805 1K 5%			
R172	.036-15100-10	RES M/F 0805 10K 1%			
R173	.036-13470-00	RES M/F 0805 470E 5%			
R174	.036-13220-00	RES M/F 0805 220E 5%			
R175	.036-16220-00	RES M/F 0805 220K 5%			
R176	.036-15100-00	RES M/F 0805 10K 5%			
R177	.036-14470-00	RES M/F 0805 4K7 5%			
R178	.036-16100-00	RES M/F 0805 100K 5%			
R179	.036-15100-00	RES M/F 0805 10K 5%			
R180	.036-16150-00	RES M/F 0805 150K 5%			
R181	.036-14560-00	RES M/F 0805 5K6 5%			
R182	.036-16100-00	RES M/F 0805 100K 5%			
R183	.036-14470-00	RES M/F 0805 4K7 5%			
R184	.036-14100-00	RES M/F 0805 1K 5%			
R185	.036-03100-02	RES 100E 1206 200V 250MW RC01			
R186	.036-13100-00	RES M/F 0805 100E 5%			
R187	.036-03150-03	RES 1218 PWR CHIP 150E 20% 1W			
R188	.036-13220-00	RES M/F 0805 220E 5%			
R189	.036-12100-00	RES M/F 0805 10E 5%			
R190	.036-12220-00	RES M/F 0805 22E 5%			
R191	.036-14100-10	RES M/F 0805 CHIP 1K 1%			
R192	.036-13220-10	RES 0805 220E 1%			
R193	.036-12100-00	RES M/F 0805 10E 5%			
R194	.036-03220-03	RES 1218 PWR CHIP 220E 20% 1W			
R195	.036-14220-00	RES M/F 0805 2K2 5%			
R196	.036-13100-00	RES M/F 0805 100E 5%			
R197	.036-10000-00	RES M/F 0805 ZERO OHM			
R203	.036-02100-02	RES 10E 1206 200V 250MW RC01			
R205	.036-02100-02	RES 10E 1206 200V 250MW RC01			
R207	.036-15470-10	RES M/F 0805 47K 1%			
R209	.036-14150-10	RES MF 0805 CHIP 1K5 1%			
R210	.036-14470-10	RES M/F 0805 CHIP 4K7 1%			
R212	.036-15100-00	RES M/F 0805 10K 5%			
R213	.036-14390-00	RES M/F 0805 3K9 5%			
R214	.036-14470-00	RES M/F 0805 4K7 5%			
R218	.036-13390-10	RES MF 0805 CHIP 390E 1%			
R220	.036-15470-10	RES M/F 0805 47K 1%			
R222	.036-15470-10	RES M/F 0805 47K 1%			
R224	.036-14150-10	RES MF 0805 CHIP 1K5 1%			
R225	.030-03120-00	RES FILM 120E 5% 0.25W 7X2.5			
R228	.036-14470-10	RES M/F 0805 CHIP 4K7 1%			
R229	.036-15560-10	RES MF 0805 CHIP 56K 1%			
R231	.030-03120-00	RES FILM 120E 5% 0.25W 7X2.5			
R237	.045-04470-00	RES NTC SMD 4K7 5% 20MW			
RV101	.042-04500-05	RES PRESET SMD 5K CER 4MM SQ			
RV103	.042-05500-05	RES PRESET SMD 50K CER 4MM SQ			
RV105	.042-04500-05	RES PRESET SMD 5K CER 4MM SQ			
RV107	.042-05500-05	RES PRESET SMD 50K CER 4MM SQ			
RV109	.044-04200-03	RES PRE 2K 10 TURN PNL MTG			
RV113	.042-06500-05	RES PRESET SMD 500K CER 4MM SQ			
RV115	.042-04220-05	RES PRESET SMD 2K CER 4MM SQ			
SK101	.240-10000-05.	CONN SMD SKT 8W 2R M-MATCH			

T837 Preliminary PCB Information

T837 Grid Reference Index

Device	PCB	Circuit	Device	PCB	Circuit	Device	PCB	Circuit	Device	PCB	Circuit
L380	1:F6	3-N4	Q365	1:F5	3-J2	R256	1:D8	2-M3	R372	2:E5	3-G1
L385	1:F6	3-N3	Q370	1:E5	3-N3	R257	1:D8	2-N5	R374	2:F5	3-J2
L390	1:E6	3-R4	Q510	1:J5	5-D1	R258	1:D8	2-N4	R376	2:F5	3-J2
L750	1:G4	7-R0	Q520	1:J5	5-H2	R259	1:D5	2-P4	R378	1:F5	3-J3
L910	1:P7	9-F4	Q530	1:J5	5-H0	R260	1:D8	2-N4	R380	1:F5	3-J4
L920	1:P7	9-G4	Q540	1:K5	5-L2	R262	1:D8	2-N3	R382	1:F5	3-J4
M8	nil	1-L2	Q550	1:K5	5-L0	R263	1:C8	2-P3	R384	2:E6	3-L4
O10	nil	1-M0	Q610	1:L6	6-E8	#R264	1:C8	2-P3	R386	2:E6	3-L2
P4	nil	1-H8	Q620	1:N6	6-P8	#R265	1:C8	2-P3	R388	1:F6	3-M4
P100	1:P6	1-R8	Q630	1:M6	6-P5	#R266	1:C8	2-P3	R390	1:E6	3-Q3
P150	1:P2	1-Q4	Q660	1:L5	6-N1	R267	1:C8	2-R2	R392	1:E6	3-P2
P160	1:P2	1-Q4	Q670	1:L6	6-Q2	R268	1:D2	2-C0	R394	1:E6	3-Q3
P170	1:P2	1-Q3	Q710	1:J3	7-K8	R269	1:C2	2-C1	R396	1:E6	3-Q2
P204	1:D1	2-A8	Q720	1:J3	7-K8	R270	1:C2	2-D1	R502	1:K6	5-K9
P208	1:D1	2-A8	Q730	1:H3	7-N8	R271	1:C3	2-E1	R505	1:K6	5-L8
P210	1:D6	2-A7	Q740	1:H3	7-N8	R272	1:C4	2-F2	R510	1:K6	5-L7
P211	1:D5	2-A7	Q750	1:G4	7-F3	R273	1:B5	2-G2	R515	1:H6	5-J5
P212	1:D6	2-A6	Q760	1:H3	7-H3	R274	1:C4	2-G1	R520	1:J5	5-C1
P215	1:D4	2-A2	Q770	1:H3	7-H1	R275	1:C4	2-H0	R525	1:J5	5-D1
P217	1:D4	2-A2	Q775	1:H3	7-K3	R277	1:B5	2-J1	R530	1:J5	5-D0
P219	1:D2	2-A1	Q780	1:H3	7-K3	R278	1:B5	2-J0	R535	1:J5	5-E1
P225	1:D2	2-A0	Q785	1:H3	7-K2	R279	1:B5	2-K0	R540	1:K5	5-H2
P230	1:C5	2-B0	Q790	1:H4	7-M3	R280	1:B5	2-K0	R545	1:K5	5-J1
P231	1:D8	2-B0	Q795	1:G3	7-P0	R282	1:D7	2-K1	R550	1:K5	5-K2
P233	1:C1	2-R9	Q810	1:M2	8-E7	R283	1:D7	2-L1	R555	1:K5	5-K1
P235	1:C1	2-R9	Q820	1:L2	8-D5	R284	1:D7	2-L0	R560	1:K5	5-M0
P237	1:B7	2-R8	Q830	1:L2	8-D5	R285	1:C8	2-M0	R609	1:L6	6-B8
P239	1:C7	2-R8	Q840	1:L2	8-F5	R286	1:C7	2-M0	R613	1:L6	6-C8
P240	1:C7	2-R8	Q850	1:M2	8-G5	R287	1:D9	2-M0	R615	1:M5	6-F9
P243	1:B7	2-R7	Q860	1:L4	8-B3	R288	1:C6	2-M2	R617	1:M5	6-J8
P244	1:B7	2-R7	R6	nil	1-L5	R289	1:D9	2-M0	R619	1:M6	6-L8
P245	1:B8	2-R6	%R150	1:P2	1-R4	R290	1:C8	2-N2	R621	1:M6	6-L8
P247	1:B8	2-R6	R160	1:P2	1-R3	R291	1:C8	2-N1	R625	1:N6	6-L7
P248	1:B7	2-R6	R201	1:B2	2-E9	R292	1:D8	2-Q2	R629	1:M5	6-P6
P249	1:C7	2-R5	R202	1:C1	2-F9	R293	1:D9	2-Q2	R633	1:M5	6-Q8
P251	1:C7	2-R5	R204	1:C7	2-B6	R294	1:D9	2-Q1	R637	1:N5	6-K6
P255	1:D5	2-R4	R205	1:C7	2-D6	R295	1:D8	2-R1	R641	1:N5	6-L4
P257	1:C2	2-R4	R206	1:B7	2-G8	R296	1:D6	2-P0	R645	1:N5	6-L5
P259	1:B8	2-R3	R207	1:B6	2-G8	R297	1:D7	2-P1	R649	1:M5	6-M5
P261	1:B8	2-R3	R208	1:B6	2-G8	#R298	1:D7	2-Q0	R653	1:M5	6-Q4
P263	1:B2	2-R2	R209	1:C6	2-H8	R299	1:C7	2-R0	R657	1:M5	6-D1
P265	1:C5	2-M0	R210	1:B6	2-H7	R302	2:F7	3-A7	R661	1:M5	6-E3
P267	1:C8	2-N2	R212	1:D4	2-F6	R304	2:E7	3-B7	R665	1:M5	6-E2
P269	1:D8	2-P2	R213	1:C4	2-G6	R306	2:F7	3-C8	R669	1:M5	6-E2
P271	1:C9	2-N1	R214	1:D4	2-G6	R308	2:E8	3-C9	R673	1:M5	6-E0
P273	1:D9	2-P0	R215	1:C4	2-H6	R310	2:F8	3-C9	R677	1:M4	6-F4
P275	1:D7	2-Q0	R216	1:C3	2-K7	R312	2:F8	3-D8	R681	1:L5	6-L2
P750	1:H4	7-R3	R217	1:A4	2-M8	R314	2:F8	3-D7	R685	1:L5	6-N2
P805	1:M2	8-A7	R218	1:A4	2-N7	R316	2:F8	3-E8	R689	1:L6	6-Q3
P810	1:L3	8-A5	R219	1:B4	2-N8	R318	2:F8	3-E9	R693	1:L6	6-Q1
P820	1:L4	8-M8	R221	1:B7	2-R7	R320	2:F8	3-G9	R696	1:M6	6-Q1
P825	1:L4	8-M8	R223	1:B4	2-K6	R322	2:F8	3-H8	R701	1:K4	7-A9
P830	1:L4	8-M8	R224	1:C4	2-K5	R324	2:F7	3-J8	R702	1:K4	7-C9
P835	1:L4	8-M7	R225	1:B4	2-L5	R326	2:F7	3-J7	R703	1:J3	7-C8
P840	1:L4	8-M7	R226	1:B4	2-L4	R328	2:F7	3-K8	=R705	1:K3	7-A7
PL100	1:P3	1-F0	R227	1:B4	2-M4	R330	2:F8	3-M8	R706	1:J3	7-B6
PL205	1:C5	2-J8	R229	1:B4	2-M7	R332	2:E4	3-C5	R708	1:H3	7-C7
PL210	1:C3	2-H4	R230	1:B4	2-M6	R334	2:E4	3-D6	R710	1:H2	7-E7
PL215	1:C4	2-K3	R231	1:B4	2-M6	R336	2:E4	3-D5	R711	1:J2	7-B6
PL220	1:C4	2-H2	R232	1:B4	2-M5	R338	2:E4	3-D4	R712	1:J3	7-D9
Q210	1:C6	2-J8	R233	1:B4	2-M6	R340	2:E5	3-D5	R713	1:J4	7-F8
Q220	1:B3	2-L7	R235	1:B4	2-P6	R342	2:E4	3-F5	%R715	1:K4	7-H6
Q230	1:A4	2-M8	R237	1:B7	2-Q7	R344	2:E5	3-F6	R717	1:J4	7-H7
Q240	1:B7	2-Q7	R238	1:B7	2-R7	R346	2:E5	3-F6	R718	1:J4	7-H7
Q250	1:B7	2-R5	R239	1:B8	2-R6	R348	2:E5	3-G5	R719	1:J4	7-J6
Q260	1:C4	2-F3	R241	1:B8	2-Q6	R350	2:E5	3-H5	R720	1:J3	7-K7
Q270	1:D2	2-D1	R242	1:B7	2-Q5	R352	2:E6	3-J6	R721	1:J3	7-K9
Q305	2:E7	3-B8	R244	1:C6	2-A5	R354	2:E5	3-J6	R722	1:J3	7-K8
Q310	2:F8	3-G8	R245	1:D4	2-D4	R356	2:E6	3-K6	R723	1:H3	7-M7
Q315	1:F8	3-J8	R247	1:D3	2-E4	R359	1:F5	3-B2	R725	1:J4	7-N7
Q320	2:E5	3-A5	R248	1:C3	2-E3	R360	1:F4	3-C2	%R726	1:J3	7-N6
Q325	2:E4	3-C5	R249	1:D4	2-F3	R362	1:F4	3-C2	R727	1:H3	7-N9
Q330	2:E4	3-D4	R251	1:C4	2-G4	R364	2:F4	3-D2	R728	1:H3	7-N8
Q335	2:E4	3-E6	R253	1:C6	2-J2	R366	2:F4	3-D1	R742	1:H2	7-B4
Q340	2:E5	3-G6	R254	1:C6	2-K3	R368	2:F4	3-D0	R743	1:H2	7-C5
Q345	2:E5	3-H6	R255	1:C7	2-K2	R370	2:F4	3-E1	R744	1:G2	7-D4