

HARMONIC-FILTER

DIODE PHYSICAL PIN OUTS

BAT18	BAT18	BAT18	BAT18	BAT18	BAT18
SOT23 DIODE	SOT23 DIODES	SOT23 DIODES	SOT23 DIODES	SOT23 DIODES	SOT23 DIODES
BAV70	BAV99	BAV99	BAV99	BAV99	BAV99
BAV70	BAV99	BAV99	BAV99	BAV99	BAV99
BAV70	BAV99	BAV99	BAV99	BAV99	BAV99
BAV70	BAV99	BAV99	BAV99	BAV99	BAV99
BAV70	BAV99	BAV99	BAV99	BAV99	BAV99
BAV70	BAV99	BAV99	BAV99	BAV99	BAV99
BAV70	BAV99	BAV99	BAV99	BAV99	BAV99

TRANSISTOR PHYSICAL PIN OUTS

BC967	BC967	BC967	BC967	BC967	BC967
SOT23 PNP	SOT23 NPN	SOT23 PNP	SOT23 PNP	SOT23 PNP	SOT23 PNP
BC967	BC848	BC817	MMBR571	MMBR951L	BC967
BC967	BC848	BC817	MMBR571	MMBR951L	BC967
BC967	BC848	BC817	MMBR571	MMBR951L	BC967
BC967	BC848	BC817	MMBR571	MMBR951L	BC967
BC967	BC848	BC817	MMBR571	MMBR951L	BC967
BC967	BC848	BC817	MMBR571	MMBR951L	BC967
BC967	BC848	BC817	MMBR571	MMBR951L	BC967

TANTALUMS

	CHIP TANTALUMS
--	----------------

2A	CAN-710050-710026-710027	DAVES	CHARLES	MHALL	RORY	27/87
1B	TEXT & SILKSCREEN UPDATE	DAVES	S.HEALD	MHALL	RORY	27/87
1A	D-RUN UPDATE	DAVES	DAVES	DAVES	DAVES	DAVES
0A	ORIGINAL	DAVES	DAVES	DAVES	DAVES	DAVES
REVISIONS	AMENDMENTS	DRAWN	CHKD	D.O.	APVD	DATE

© TAIT ELECTRONICS

T836TX
HARMONIC-FILTER

ISSUE: 2A 2.S.C. 9
PROJECT: 220-01395-02
DESIGNER: DAVES
FILE NAME: 1395.D2A
DATE: 28-7-87
NO SHEETS: 10

CHANNEL SELECT TO MICRO BUS

MICROMATCH TO D-RANGE2 CONNECTS

1	1	CH.SLECT.0	R805 2K	5605	CH.SLECT.0
3	2	CH.SLECT.1	R806 2K	5605	CH.SLECT.1
5	3	CH.SLECT.2	R807 2K	5605	CH.SLECT.2
7	4	CH.SLECT.3	R808 2K	5605	CH.SLECT.3
9	5	CH.SLECT.4	R809 2K	5605	CH.SLECT.4
11	6	CH.SLECT.5	R810 2K	5605	CH.SLECT.5
13	7	CH.SLECT.6	R811 2K	5605	CH.SLECT.6
6	11	CH.SLECT.7	R812 2K	5605	CH.SLECT.7
16	NC				
14	15				
12	14				
10	13				
4	10	TX-RELAY DRV	R813 2K	5605	TX-RELAY DRV
8	12	SERIAL.COM-1	R814 2K	5605	SERIAL.COM-1
2	9	TX-RELAY DRV	R815 2K	5605	TX-RELAY DRV
15	8				

1	15	WATCHDOG	R816 10K	5605	WATCHDOG
3	14	SYNTH	R817 10K	5605	SYNTH
5	13	SWA	R818 10K	5605	SWA
7	12	SWB	R819 10K	5605	SWB
9	11	SWC	R820 10K	5605	SWC
11	10	SWD	R821 10K	5605	SWD
13	9	SWE	R822 10K	5605	SWE
15	8	SWF	R823 10K	5605	SWF
16	7	SWG	R824 10K	5605	SWG
14	6	SWH	R825 10K	5605	SWH
12	5	SWI	R826 10K	5605	SWI
10	4	SWJ	R827 10K	5605	SWJ
8	3	SWK	R828 10K	5605	SWK
6	2	SWL	R829 10K	5605	SWL
4	1	SWM	R830 10K	5605	SWM
2	0	SWN	R831 10K	5605	SWN

1	1	AUX-OUT-7	R832 2K	5605	AUX-OUT-7
3	2	AUX-OUT-6	R833 2K	5605	AUX-OUT-6
5	3	AUX-OUT-5	R834 2K	5605	AUX-OUT-5
7	4	AUX-OUT-4	R835 2K	5605	AUX-OUT-4
9	5	AUX-OUT-3	R836 2K	5605	AUX-OUT-3
11	6	AUX-OUT-2	R837 2K	5605	AUX-OUT-2
13	7	AUX-OUT-1	R838 2K	5605	AUX-OUT-1
15	8	AUX-OUT-0	R839 2K	5605	AUX-OUT-0
16	NC				
14	15				
12	14				
10	13				
8	12				
6	11				
4	10				
2	9				
0	8				

1	1	CTCSS ENABLE	R840 10K	5605	CTCSS ENABLE
3	2	TX-RELAY DRV	R841 10K	5605	TX-RELAY DRV
5	3	SERIAL.COM-1	R842 10K	5605	SERIAL.COM-1
7	4	TX-RELAY DRV	R843 10K	5605	TX-RELAY DRV
9	5				
11	6				
13	7				
15	8				
16	NC				
14	15				
12	14				
10	13				
8	12				
6	11				
4	10				
2	9				
0	8				

1	1	WATCHDOG	R844 10K	5605	WATCHDOG
3	2	SYNTH	R845 10K	5605	SYNTH
5	3	SWA	R846 10K	5605	SWA
7	4	SWB	R847 10K	5605	SWB
9	5	SWC	R848 10K	5605	SWC
11	6	SWD	R849 10K	5605	SWD
13	7	SWE	R850 10K	5605	SWE
15	8	SWF	R851 10K	5605	SWF
16	NC				
14	15				
12	14				
10	13				
8	12				
6	11				
4	10				
2	9				
0	8				

1	1	AUX-OUT-7	R852 2K	5605	AUX-OUT-7
3	2	AUX-OUT-6	R853 2K	5605	AUX-OUT-6
5	3	AUX-OUT-5	R854 2K	5605	AUX-OUT-5
7	4	AUX-OUT-4	R855 2K	5605	AUX-OUT-4
9	5	AUX-OUT-3	R856 2K	5605	AUX-OUT-3
11	6	AUX-OUT-2	R857 2K	5605	AUX-OUT-2
13	7	AUX-OUT-1	R858 2K	5605	AUX-OUT-1
15	8	AUX-OUT-0	R859 2K	5605	AUX-OUT-0
16	NC				
14	15				
12	14				
10	13				
8	12				
6	11				
4	10				
2	9				
0	8				

1	1	CTCSS ENABLE	R860 10K	5605	CTCSS ENABLE
3	2	TX-RELAY DRV	R861 10K	5605	TX-RELAY DRV
5	3	SERIAL.COM-1	R862 10K	5605	SERIAL.COM-1
7	4	TX-RELAY DRV	R863 10K	5605	TX-RELAY DRV
9	5				
11	6				
13	7				
15	8				
16	NC				
14	15				
12	14				
10	13				
8	12				
6	11				
4	10				
2	9				
0	8				

1	1	WATCHDOG	R864 10K	5605	WATCHDOG
3	2	SYNTH	R865 10K	5605	SYNTH
5	3	SWA	R866 10K	5605	SWA
7	4	SWB	R867 10K	5605	SWB
9	5	SWC	R868 10K	5605	SWC
11	6	SWD	R869 10K	5605	SWD
13	7	SWE	R870 10K	5605	SWE
15	8	SWF	R871 10K	5605	SWF
16	NC				
14	15				
12	14				
10	13				
8	12				
6	11				
4	10				
2	9				
0	8				

1	1	AUX-OUT-7	R872 2K	5605	AUX-OUT-7
3	2	AUX-OUT-6	R873 2K	5605	AUX-OUT-6
5	3	AUX-OUT-5	R874 2K	5605	AUX-OUT-5
7	4	AUX-OUT-4	R875 2K	5605	AUX-OUT-4
9	5	AUX-OUT-3	R876 2K	5605	AUX-OUT-3
11	6	AUX-OUT-2	R877 2K	5605	AUX-OUT-2
13	7	AUX-OUT-1	R878 2K	5605	AUX-OUT-1
15	8	AUX-OUT-0	R879 2K	5605	AUX-OUT-0
16	NC				
14	15				
12	14				
10	13				
8	12				
6	11				
4	10				
2	9				
0	8				

1	1	CTCSS ENABLE	R880 10K	5605	CTCSS ENABLE
3	2	TX-RELAY DRV	R881 10K	5605	TX-RELAY DRV
5	3	SERIAL.COM-1	R882 10K	5605	SERIAL.COM-1
7	4	TX-RELAY DRV	R883 10K	5605	TX-RELAY DRV
9	5				
11	6				
13	7				
15	8				
16	NC				
14	15				
12	14				
10	13				
8	12				
6	11				
4	10				
2	9				
0	8				

1	1	WATCHDOG	R884 10K	5605	WATCHDOG
3	2	SYNTH	R885 10K	5605	SYNTH
5	3	SWA	R886 10K	5605	SWA
7	4	SWB	R887 10K	5605	SWB
9	5	SWC	R888 10K	5605	SWC
11	6	SWD	R889 10K	5605	SWD
13	7	SWE	R890 10K	5605	SWE
15	8	SWF	R891 10K	5605	SWF
16	NC				
14	15				
12	14				
10	13				
8	12				
6	11				
4	10				
2	9				
0	8				

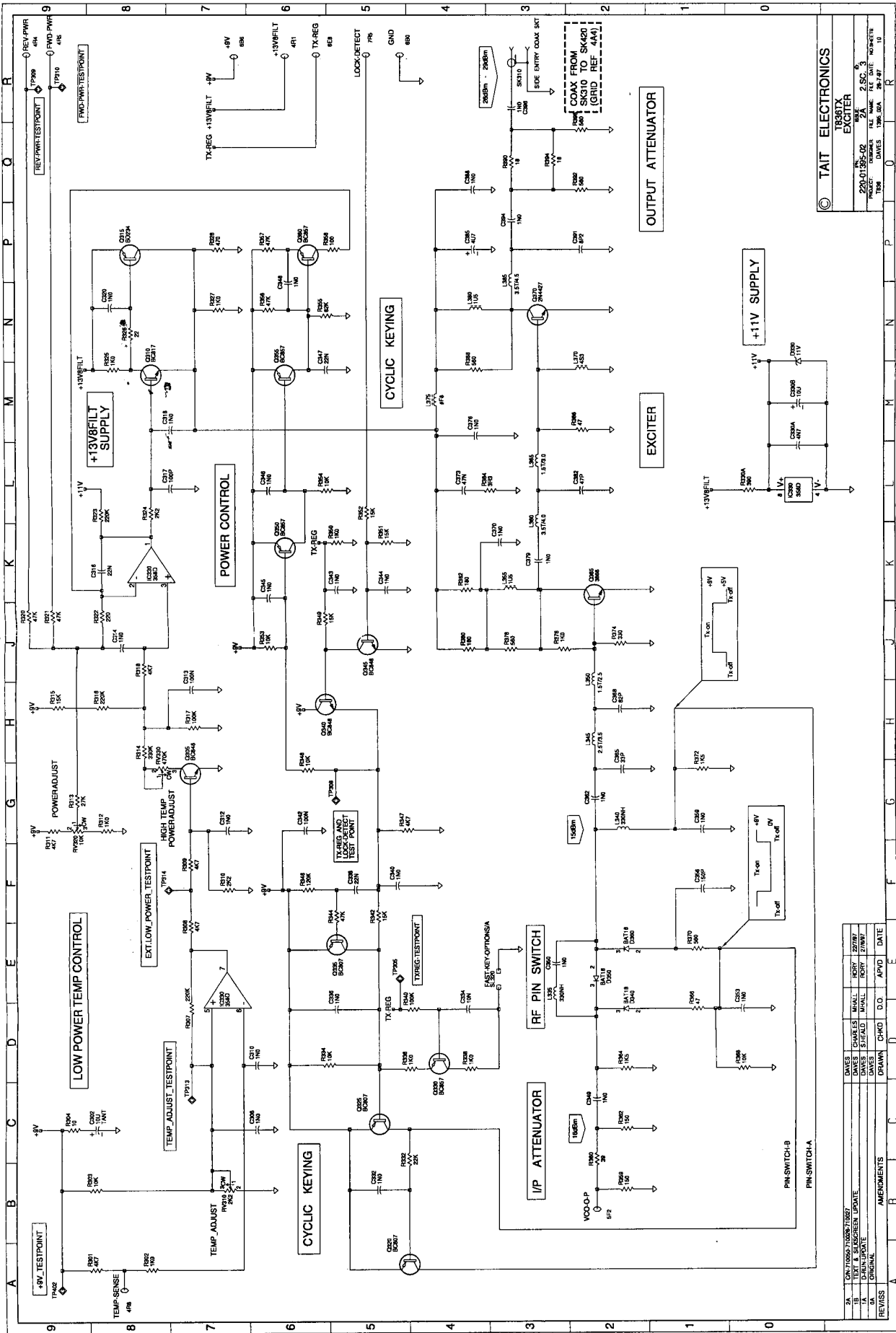
1	1	AUX-OUT-7	R892 2K	5605	AUX-OUT-7
3	2	AUX-OUT-6	R893 2K	5605	AUX-OUT-6
5	3	AUX-OUT-5	R894 2K	5605	AUX-OUT-5
7	4	AUX-OUT-4	R895 2K	5605	AUX-OUT-4
9	5	AUX-OUT-3	R896 2K	5605	AUX-OUT-3
11	6	AUX-OUT-2	R897 2K	5605	AUX-OUT-2
13	7	AUX-OUT-1	R898 2K	5605	AUX-OUT-1
15	8	AUX-OUT-0	R899 2K	5605	AUX-OUT-0
16	NC				
14	15				
12	14				
10	13				
8	12				
6	11				
4	10				
2	9				
0	8				

1	1	CTCSS ENABLE	R900 10K	5605	CTCSS ENABLE
3	2	TX-RELAY DRV	R901 10K	5605	TX-RELAY DRV
5	3	SERIAL.COM-1	R902 10K	5605	SERIAL.COM-1
7	4	TX-RELAY DRV	R903 10K	5605	TX-RELAY DRV
9	5				
11	6				
13	7				
15	8				
16	NC				
14	15				
12	14				
10	13				
8	12				
6	11				
4	10				
2	9				
0	8				

1	1	WATCHDOG	R904 10K	5605	WATCHDOG
3	2	SYNTH	R905 10K	5605	SYNTH
5	3	SWA	R906 10K	5605	SWA
7	4	SWB	R907 10K	5605	SWB
9	5	SWC	R908 10K	5605	SWC
11	6	SWD	R909 10K	5605	SWD
13	7	SWE	R910 10K	5605	SWE
15	8	SWF	R911 10K	5605	SWF
16	NC				
14	15				
12	14				
10	13				
8	12				
6	11				
4	10				
2	9				
0	8				

1	1	AUX-OUT-7	R912 2K	5605	AUX-OUT-7
3	2	AUX-OUT-6	R913 2K	5605	AUX-OUT-6
5	3	AUX-OUT-5	R914 2K	5605	AUX-OUT-5
7	4	AUX-OUT-4	R915 2K	5605	AUX-OUT-4
9	5	AUX-OUT-3	R916 2K	5605	AUX-OUT-3
11	6	AUX-OUT-2	R917 2K	5605	AUX-OUT-2
13	7	AUX-OUT-1	R918 2K	5605	AUX-OUT-1
15	8	AUX-OUT-0	R919 2K	5605	AUX-OUT-0
16	NC				
14	15				
12	14				
10	13				
8	12				
6	11				
4	10				
2	9				
0	8				

1	1	CTCSS ENABLE	R920 10K	5605	CTCSS ENABLE
3	2	TX-RELAY DRV	R921 10K	5605	TX-RELAY DRV
5	3	SERIAL.COM-1	R922 10K	5605	SERIAL.COM-1
7	4	TX-RELAY DRV	R923 10K	5605	TX-RELAY DRV
9	5				
11	6				
13	7				
15	8				
16	NC				
14	15				
12	14				
10	13				
8	12				
6	11				



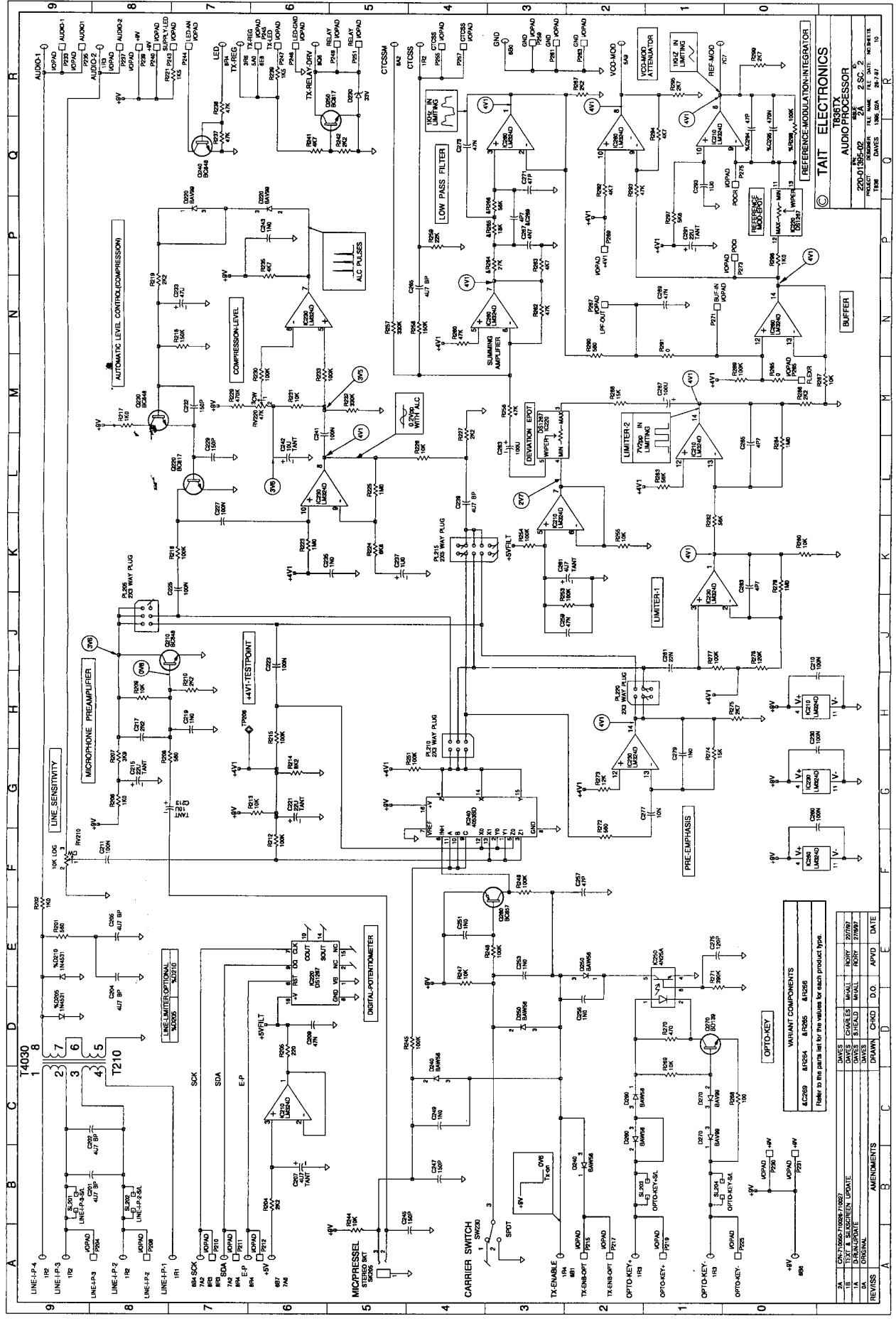
REV	DATE	BY	CHKD	APP'D	DATE
1A	04/17/60	DAVES	CHARLES	DAVES	02/27/67
1B		DAVES	CHARLES	DAVES	02/27/67
1C		DAVES	CHARLES	DAVES	02/27/67
1D		DAVES	CHARLES	DAVES	02/27/67
1E		DAVES	CHARLES	DAVES	02/27/67
1F		DAVES	CHARLES	DAVES	02/27/67
1G		DAVES	CHARLES	DAVES	02/27/67
1H		DAVES	CHARLES	DAVES	02/27/67
1I		DAVES	CHARLES	DAVES	02/27/67
1J		DAVES	CHARLES	DAVES	02/27/67
1K		DAVES	CHARLES	DAVES	02/27/67
1L		DAVES	CHARLES	DAVES	02/27/67
1M		DAVES	CHARLES	DAVES	02/27/67
1N		DAVES	CHARLES	DAVES	02/27/67
1O		DAVES	CHARLES	DAVES	02/27/67
1P		DAVES	CHARLES	DAVES	02/27/67
1Q		DAVES	CHARLES	DAVES	02/27/67
1R		DAVES	CHARLES	DAVES	02/27/67

Sheet 3 1836 Exciter - 220-01395-02

30/04/98

© TAIT ELECTRONICS
 TEST
 EXCITER
 220-01395-02
 25C 3
 142 100 200 250 300 350 400 450 500 550 600 650 700 750 800 850 900 950 1000
 DAVES 196 200A 20-2-67
 TOSH

Copyright TEL



© TAIT ELECTRONICS
 TAIT ELECTRONICS
 290-01395-02
 2500 W. 100th St.
 Torrance, CA 90503

Sheet 2 T836 Audio Processor
 220-01395-02

AMENDMENTS

REVISE	DATE	BY	CHKD	APP'D
1A	10/18/77	DAVE	DAVE	DAVE
1B	11/27/77	DAVE	DAVE	DAVE
1C	1/10/78	DAVE	DAVE	DAVE
1D	2/27/78	DAVE	DAVE	DAVE
1E	3/27/78	DAVE	DAVE	DAVE
1F	4/27/78	DAVE	DAVE	DAVE
1G	5/27/78	DAVE	DAVE	DAVE
1H	6/27/78	DAVE	DAVE	DAVE
1I	7/27/78	DAVE	DAVE	DAVE
1J	8/27/78	DAVE	DAVE	DAVE
1K	9/27/78	DAVE	DAVE	DAVE
1L	10/27/78	DAVE	DAVE	DAVE
1M	11/27/78	DAVE	DAVE	DAVE
1N	12/27/78	DAVE	DAVE	DAVE

VARIANT COMPONENTS

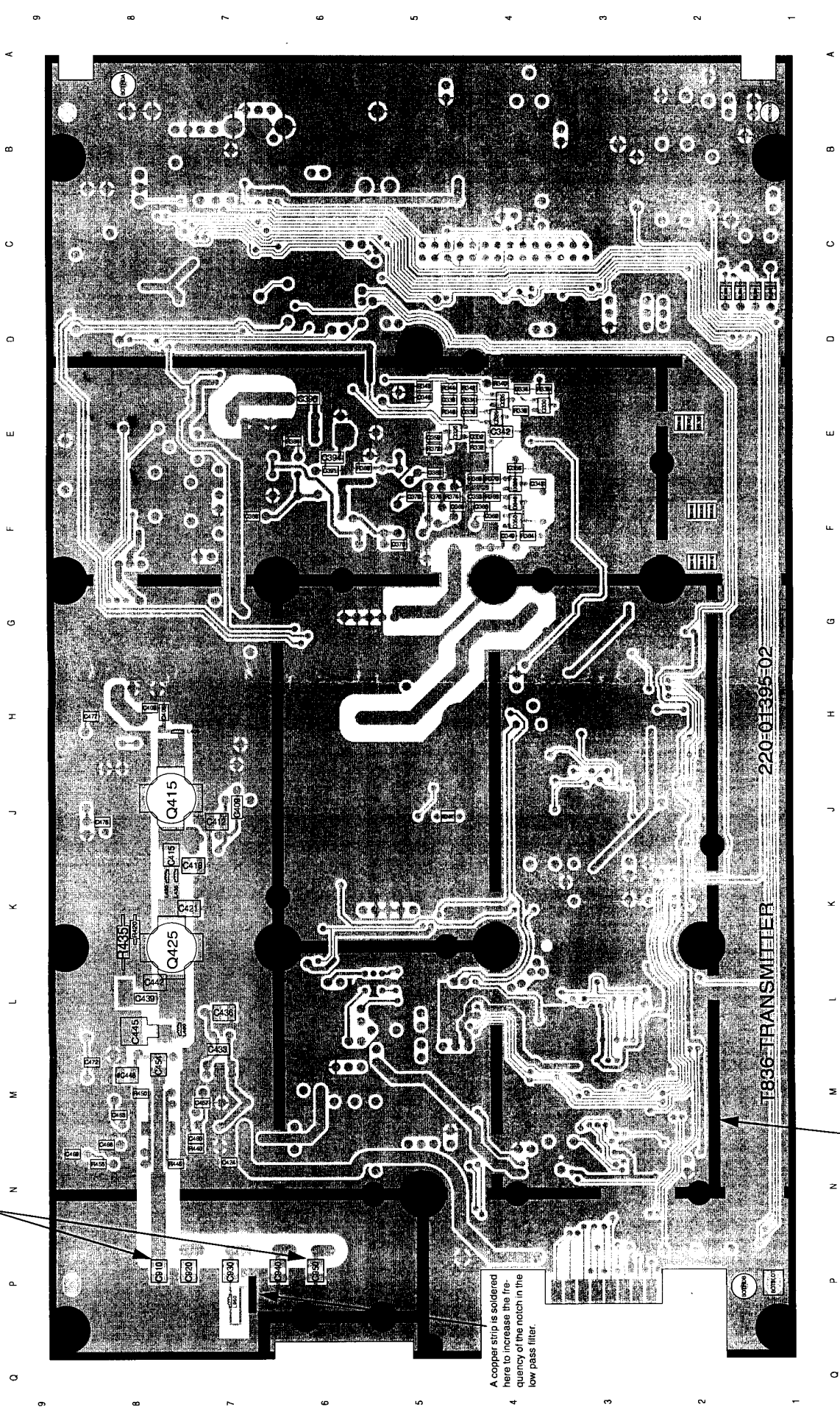
COMPONENT	VALUE	REVISION
R209	10K	1
R210	10K	1
R211	10K	1
R212	10K	1
R213	10K	1
R214	10K	1
R215	10K	1
R216	10K	1
R217	10K	1
R218	10K	1
R219	10K	1
R220	10K	1
R221	10K	1
R222	10K	1
R223	10K	1
R224	10K	1
R225	10K	1
R226	10K	1
R227	10K	1
R228	10K	1
R229	10K	1
R230	10K	1
R231	10K	1
R232	10K	1
R233	10K	1
R234	10K	1
R235	10K	1
R236	10K	1
R237	10K	1
R238	10K	1
R239	10K	1
R240	10K	1
R241	10K	1
R242	10K	1
R243	10K	1
R244	10K	1
R245	10K	1
R246	10K	1
R247	10K	1
R248	10K	1
R249	10K	1
R250	10K	1
R251	10K	1
R252	10K	1
R253	10K	1
R254	10K	1
R255	10K	1
R256	10K	1
R257	10K	1
R258	10K	1
R259	10K	1
R260	10K	1
R261	10K	1
R262	10K	1
R263	10K	1
R264	10K	1
R265	10K	1
R266	10K	1
R267	10K	1
R268	10K	1
R269	10K	1
R270	10K	1
R271	10K	1
R272	10K	1
R273	10K	1
R274	10K	1
R275	10K	1
R276	10K	1
R277	10K	1
R278	10K	1
R279	10K	1
R280	10K	1
R281	10K	1
R282	10K	1
R283	10K	1
R284	10K	1
R285	10K	1
R286	10K	1
R287	10K	1
R288	10K	1
R289	10K	1
R290	10K	1
R291	10K	1
R292	10K	1
R293	10K	1
R294	10K	1
R295	10K	1
R296	10K	1
R297	10K	1
R298	10K	1
R299	10K	1
R300	10K	1
R301	10K	1
R302	10K	1
R303	10K	1
R304	10K	1
R305	10K	1
R306	10K	1
R307	10K	1
R308	10K	1
R309	10K	1
R310	10K	1
R311	10K	1
R312	10K	1
R313	10K	1
R314	10K	1
R315	10K	1
R316	10K	1
R317	10K	1
R318	10K	1
R319	10K	1
R320	10K	1
R321	10K	1
R322	10K	1
R323	10K	1
R324	10K	1
R325	10K	1
R326	10K	1
R327	10K	1
R328	10K	1
R329	10K	1
R330	10K	1
R331	10K	1
R332	10K	1
R333	10K	1
R334	10K	1
R335	10K	1
R336	10K	1
R337	10K	1
R338	10K	1
R339	10K	1
R340	10K	1
R341	10K	1
R342	10K	1
R343	10K	1
R344	10K	1
R345	10K	1
R346	10K	1
R347	10K	1
R348	10K	1
R349	10K	1
R350	10K	1
R351	10K	1
R352	10K	1
R353	10K	1
R354	10K	1
R355	10K	1
R356	10K	1
R357	10K	1
R358	10K	1
R359	10K	1
R360	10K	1
R361	10K	1
R362	10K	1
R363	10K	1
R364	10K	1
R365	10K	1
R366	10K	1
R367	10K	1
R368	10K	1
R369	10K	1
R370	10K	1
R371	10K	1
R372	10K	1
R373	10K	1
R374	10K	1
R375	10K	1
R376	10K	1
R377	10K	1
R378	10K	1
R379	10K	1
R380	10K	1
R381	10K	1
R382	10K	1
R383	10K	1
R384	10K	1
R385	10K	1
R386	10K	1
R387	10K	1
R388	10K	1
R389	10K	1
R390	10K	1
R391	10K	1
R392	10K	1
R393	10K	1
R394	10K	1
R395	10K	1
R396	10K	1
R397	10K	1
R398	10K	1
R399	10K	1
R400	10K	1

Refer to the parts list for the values for each product type.

Copyright TEL

C6.2.16 T836 PCB Information

C910A and C950A are soldered on top of C910 and C950 respectively.



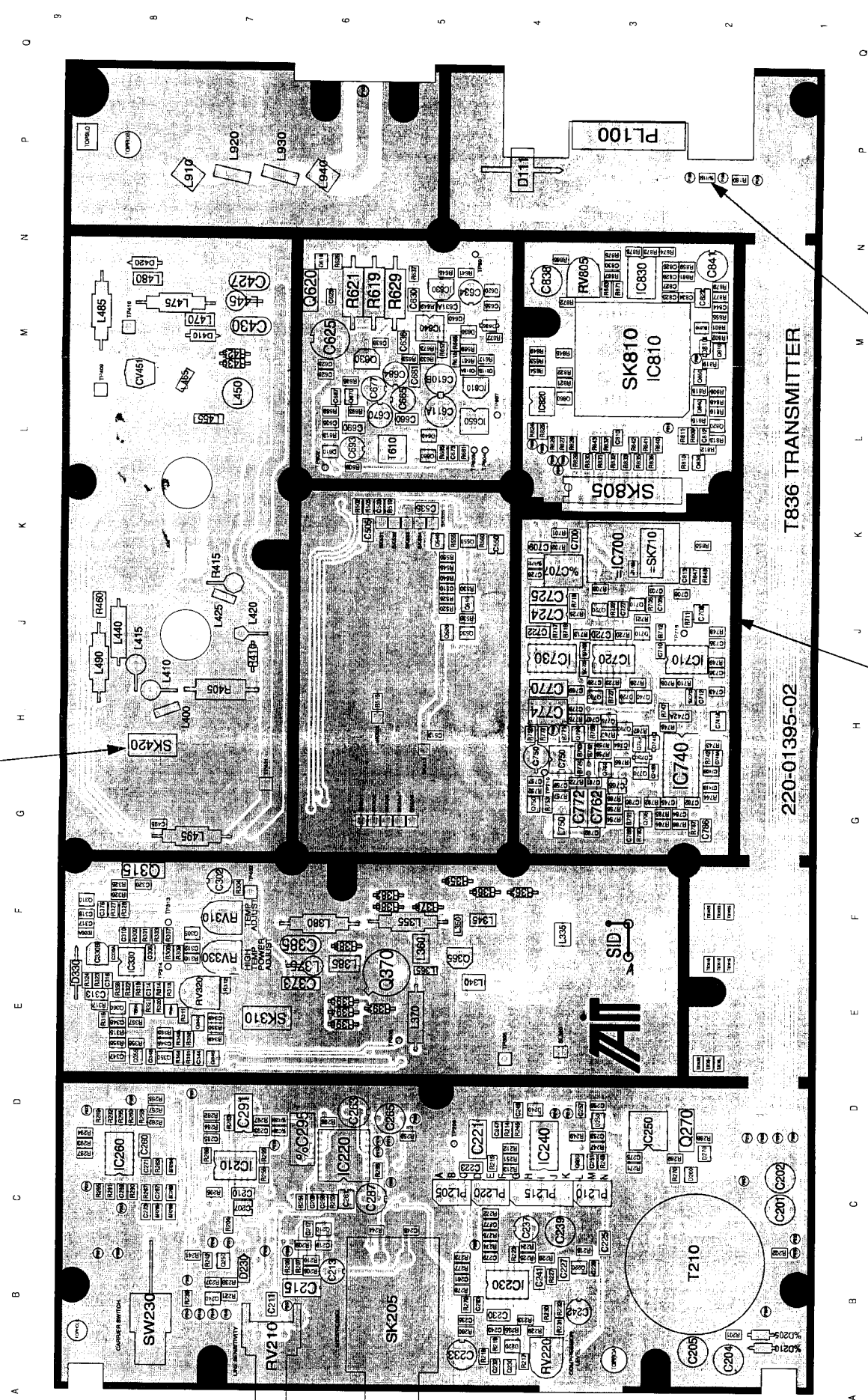
A copper strip is soldered here to increase the frequency of the notch in the low pass filter.

The darker shading shows the footprint of the bottom cover.

T836 PCB Layout Bottom Side 220-01395-02

PCB encoding as SK4-10.

30.4.13



T836 PCB Layout
Top Side
220-01395-02

%R150 (10k) is fitted only when the T836 is used in a Series I rack frame (refer to Part I for full details)

The darker shading shows the outline of the chassis