



TEST REPORT

REPORT NUMBER : **AKL-399070**
APPLICANT : **FUJITSU LIMITED**
MODEL NUMBER : **CA04339-C841**
FCC ID : **C9SDP050M33111Z2**
REGULATION : **FCC Part15B Class B**
Canada ICES-003 Class B

Conducted Emission Test
Radiated Emission Test



NVLAP accreditation is valid only
FCC Part15(Digital Devices),
CISPR22, and AS/NZS 3548
test reports.

Akzo Kashima Limited
EMC Division
Nagano Site

3226, Yokokawa, Tatsuno-machi, Kamiina-gun
Nagano-ken, 399-0511 Japan
Tel.: +81 266 47 5311 Fax.: +81 266 47 5540

TABLE OF CONTENTS

	Page
SECTION 1. TEST CERTIFICATION	3
SECTION 2. CONCLUSION	4
SECTION 3. EQUIPMENT UNDER TEST	5
SECTION 4. SUPPORT EQUIPMENT USED	6
SECTION 5. CABLE (S) USED	7
SECTION 6. CONSTRUCTION OF EQUIPMENT.....	8
SECTION 7. OPERATING CONDITIONS	9
SECTION 8. TEST PROCEDURE(S).....	10
SECTION 9. EVALUATION OF TEST RESULTS.....	14
SECTION 10. PHOTOGRAPHS OF MAXIMUM EMISSION SET-UP.....	17
SECTION 11. INSTRUMENTS USED FOR FINAL TEST	18
SECTION 12. UNCERTAINTY OF MEASUREMENT.....	19
SECTION 13. VALIDITY OF TEST REPORT.....	20
SECTION 14. DESCRIPTION OF TEST LABORATORY	21

SECTION 1. TEST CERTIFICATION**APPLICANT INFORMATION**

Company : FUJITSU LIMITED
Address : Marunouchi Center Bldg. 6-1 Marunouchi 1-chome Chiyoda-ku
Tokyo 100-0005 Japan
Telephone number : +81 3 3215 5101
Fax number : +81 3 3216 9352

DESCRIPTION OF TEST ITEM

Kind of equipment : USB interface board
Condition of equipment : Production
Type : Table-Top(Built-in type)
Trademark : FUJITSU
FCC ID : C9SDP050M33111Z2
Model number : CA04339-C841
Serial number : None

TEST PERFORMED

Location : Nagano No. 1 Test Site (FCC File No. : 31040/SIT)
Test started : April 14, 1999
Test completed : April 14, 1999
Purpose of test : FCC Docket 87-389
and Canadian Interference-Causing Equipment Regulations
Regulation : FCC Part15B Class B and Canada ICES-003 Class B
Unintentional Radiators
Test setup : ANSI C63.4-1992

Report file number : AKL-399070

Report issue date : April 20, 1999

Test engineer : Naohei Murakami



Report approved by : Yoshio Kowase
[Site Manager]



This equipment complies with above standard or regulation under the test condition or test configuration shown on this test report.

SECTION 2. CONCLUSION

This test report clearly shows that the EUT is in compliance with the FCC Part 15B Class B specification and the Canada ICES-003 Class B specification.

Traceability to national standards of test result is achieved by means of calibration traceability to national standards.

The minimum margins to the limits are as follows:

Conduction measurement				
M33111A02 mode	6.3 dB	at	0.4500 MHz	
Radiation measurement				
M33111A02 mode	3.5 dB	at	193.84 MHz	

Note : See Section 9 for details.

SECTION 3. EQUIPMENT UNDER TEST

The equipment under test (EUT) consisted of the following equipment.
Indication in the following left side column corresponds to Section 6.

Symbol	Item	Model No.	Serial No.	FCC ID / DoC	Manufacturer	Remarks
A)	USB interface board	CA04339-C841	None	C9SDP050M33111Z2	FUJITSU LIMITED	EUT

Power ratings of EUT : DC 5V (Power for Printer AC 120V, 60 Hz)

DoC : Device for Declaration of Conformity

3.1 Port(s)/Connector(s) :

Port name	Connector type	Connector pin	Remarks
Serial interface	USB type B	4 pin	USB

3.2 Oscillator(s)/Crystal(s) :

Oscillator	Operating frequency	Board name	Remarks
48 MHz	24 MHz 48 MHz	USB board USB board	USB interface processor USB interface LSI

SECTION 4. SUPPORT EQUIPMENT USED

The EUT was supported by the following equipment during the test. Indication in the following left side column corresponds to Section 6.

Symbol	Item	Model No.	Serial No.	FCC ID / DoC	Manufacturer	Remarks
B)	Printer	M33111A02	00065	C9SDP050M33111A1	FUJITSU LIMITED	Install EUT
C)	Printer	M3359A	002192	C9S69NDP012A1	FUJITSU LIMITED	
D)	Computer	2640-90J	97-484K9	DoC	IBM	
E)	AC Adapter	83H6340	J14HC5020T6	N.A.	IBM	

DoC : Device was tested and authorized under a Declaration of Conformity to the applicable FCC rules.

SECTION 5. CABLE (S) USED

The following cable(s) was used for the test.

Indication number in the following left side column corresponds to Section 6.

Number	Name	Length	Shield	Connector
1)	Centronics cable	3.00 m	Yes	Metal
2)	USB cable	4.00 m	Yes	Metal
3)	Power cord for Printer	3.00 m	None	
4)	Power cord for Printer	3.00 m	None	
5)	Power cord for Computer(DC)	1.70 m	None	
6)	Power cord for Computer(AC)	1.00 m	None	

Note :

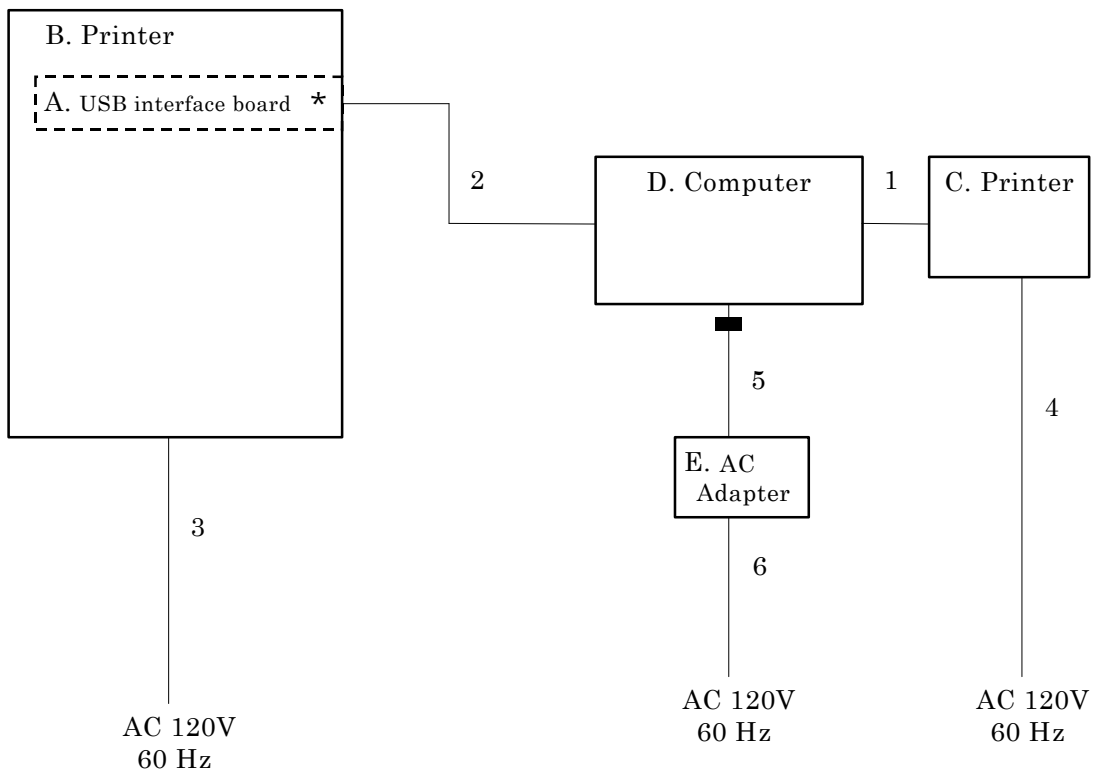
- a. One ferrite core is permanently attached to power cord for Computer(DC) cable.

SECTION 6. CONSTRUCTION OF EQUIPMENT

The construction of EUT during the test was as follows.

System configuration

* :EUT
 :Ferrite core



Symbols or numbers assigned to equipment or cables on this diagram are corresponded to the symbols or numbers assigned to equipment or cables on tables in Sections 3 to 5.

SECTION 7. OPERATING CONDITIONS

The EUT was operated under the following conditions during the test.

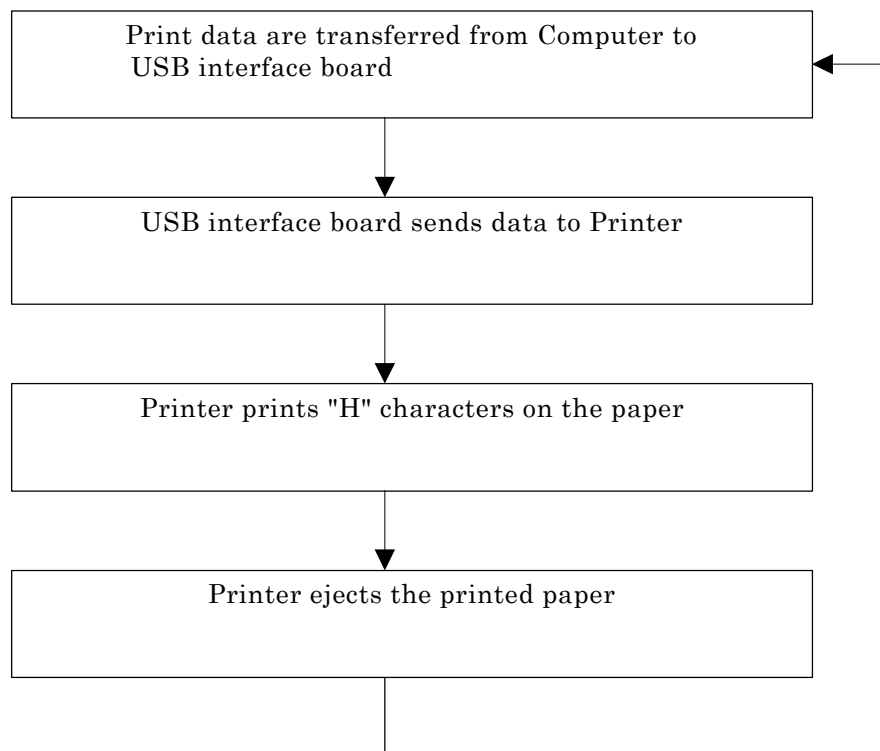
7.1 Operating condition

The tests was carried out under M33111A02 mode.

EUT was examined in the operating conditions that had maximum emissions.

7.2 Operating flow

Performed following operations continuously



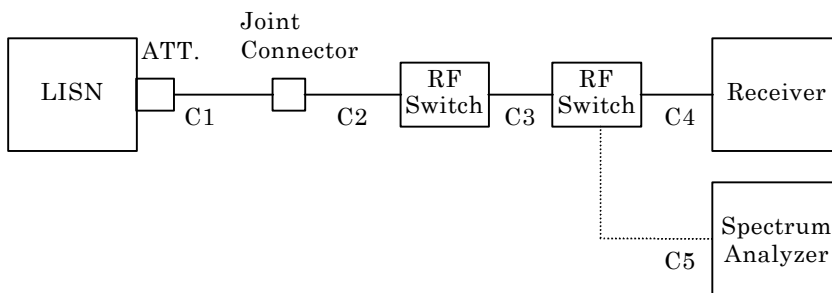
SECTION 8. TEST PROCEDURE(S)

Tests were carried out under the following conditions.

Tests were carried out with no deviations from standards and test methods.

Subject	Test procedure	Measurement software	Scan frequency
Conducted Emission	Akzo Kashima Document number : 03-10-004	emiT Ver. 1,3,5,0	0.45 - 30 MHz
Radiated Emission	Akzo Kashima Document number : 03-10-003	emiT Ver. 1,3,5,0	30 - 1000 MHz

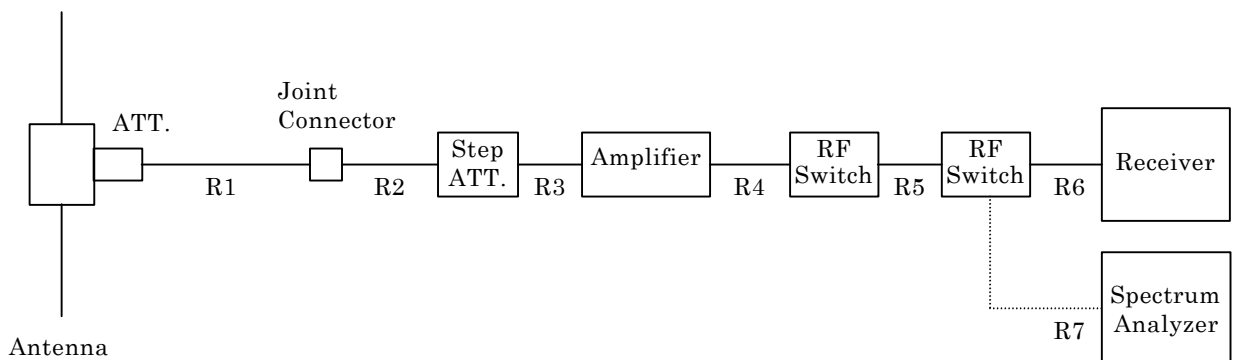
Schema for the conducted measurement



Abbreviations : LISN = Line Impedance Stabilization Network
Line Impedance Stabilization Network(LISN) = Artificial Mains Network(A.M.N.)

Abbreviations : ATT. = Attenuator

Schema for the radiated measurement



Summary ;

8.1 Conducted Emission Test

8.1.1 Equipment Setup

System configuration and Equipment setup are shown on Section 6 and Section 10.

8.1.1.1 Table-Top Equipment

EUT is placed on the wooden table raised 0.8meter above the metal ground plane.

8.1.1.2 Interconnecting Cables

Excess part of the interconnecting cables longer than 1 meter are bundled in the center. Cables that hang closer than 40 cm to the ground plane is folded back and forth forming bundle 30 to 40 cm long, hanging approx, in the middle between ground plane and table.

8.1.1.3 AC Power Cord

AC power cord for EUT is connected to one LISN which is placed on top of ground plane. The LISN is placed in 80 cm from the nearest part of EUT chassis.
The excess power cable is bundled in the center, or shortened to appropriate length.
AC cables except from the EUT are connected second LISN.

8.1.2 Measuring Instruments

Measuring instruments list and calibration schedule are shown on Section 11, and brief description are as follows;

8.1.2.1 Spectrum Analyzer

The Spectrum analyzer is used for preliminary measurement.

8.1.2.2 EMI Test Receiver

The Quasi-peak detector(Resolution bandwidth : 10 kHz) and average detector (Resolution bandwidth : 10 kHz) built in test receiver is used for final measurement.
The test receiver is complied with the specification of the CISPR publication 16.

8.1.2.3 LISN

The 50 μ H/50 LISN is used. The chassis of the LISN is bonded to the ground plane by the copper blade.

The lead to be tested is selectable by switch, and the terminals which are not connected to the EUT are terminated in 50 resistor termination.

8.1.3 Test Procedure

8.1.3.1 Preliminary Measurement

EUT is tested on all operating conditions.

The spectrum analyzer is controlled by the computer program to sweep regulation frequency, then spectrum chart are plotted out to detect the worst conditions in operating mode and/or configuration for the final test.

All leads other than safety ground are tested.

8.1.3.2 Final Measurement

The EUT is operated in the worst condition where maximum emission is detected by the preliminary test. The equipment and cables are arranged or manipulated within the range of the test standard in the above condition.

The each spectrum to be tested are measured in quasi-peak using the test receiver. When the value in the quasi-peak mode is higher than the limit in the standard, the measurement in the average mode is done to compare to the value in the quasi-peak mode. If the value in the quasi-peak mode exceeds the value in the average mode by more than 6 dB, the value reducing 13 dB from the value in the quasi mode is used to compare to the limit.

8.2 Radiated Emission Test

8.2.1 Equipment Setup

System configuration and Equipment setup are shown on Section 6 and Section 10.

8.2.1.1 Table-Top Equipment

EUT is placed on the wooden table raised 0.8meter above the metal ground plane(turntable).

8.2.1.2 Interconnecting Cables

Excess part of the interconnecting cables longer than 1 meter are bundled in the center. Cables that hang closer than 40 cm to the ground plane is folded back and forth forming bundle 30 to 40 cm long, hanging approx, in the middle between ground plane and table.

8.2.2 Measuring Instruments

Measuring instruments list and calibration schedule are shown on Section 11, and brief description are as follows;

8.2.2.1 Antennas

The broadband Bi-cog antenna is used for measurement on the frequency range 30 1000 MHz.

If uncertain result was obtained, the broadband antenna is replaced by the half wave length dipole, then measurement is carried out over again.

8.2.2.2 Pre-amplifier

The broadband pre-amplifier is used for radiated emission measurement.

The signal to noise ratio is improved by using pre-amplifier.

8.2.2.3 Spectrum Analyzer

The spectrum analyzer is used for preliminary measurement of frequency range 30 1000 MHz.

8.2.2.4 EMI Test Receiver

The Quasi-peak detector(Resolution bandwidth : 120 kHz) built in test receiver is used for final measurement of the frequency 30 1000 MHz.

The test receiver is complied with the specification of the CISPR publication 16.

8.2.2.5 Turntable

The turntable is capable for EUT weight and rotatable 0 to 360 degree horizontally by remote control in the test room.

8.2.2.6 Antenna Mast

The antenna mast is attachable to all antennas described on clause 8.2.2.1 and antenna height is adjustable 1 to 4 meters continuously by remote control at the test room, and antenna polarization is also changed by the remote control.

8.2.3 Test Procedure

8.2.3.1 Preliminary Measurement

EUT is tested on all operating conditions.

The spectrum analyzer is set max-hold mode and swept during turntable was rotated 0 to 360 degree. Then spectrum chart are plotted out to detect the worst conditions in configuration, operating mode, or ambient noise notation.

8.2.3.2 Final Measurement

The EUT operated in the condition where maximum emission is detected in the preliminary test.

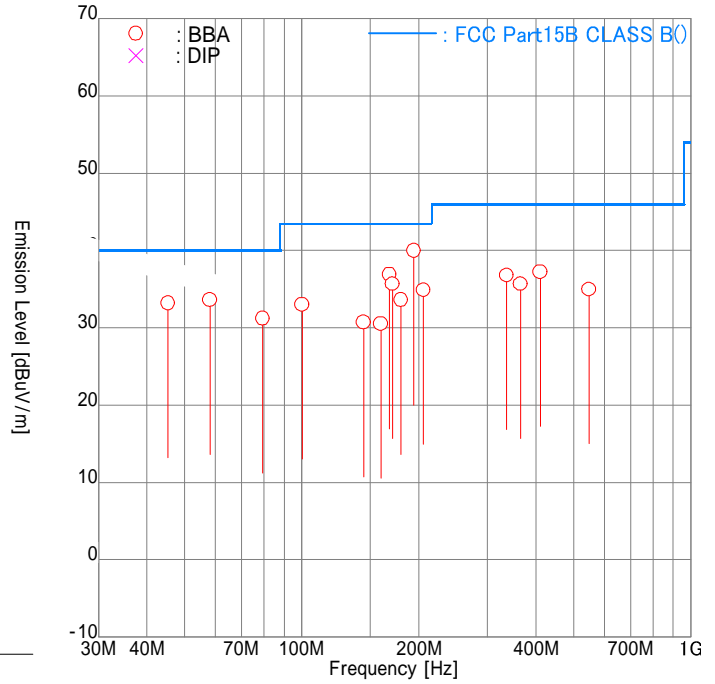
The turntable azimuth(EUT direction) and antenna height are adjusted the position so that maximum field strength is obtained for each frequency spectrum to be measured. The equipment and cables are arranged or manipulated within the range of the test standard in the above condition.

When the uncertain result was obtained, the measurement is retried by using the half wave dipole antenna instead of the broadband antenna.

9.2 Radiate d Emission Test

Akzo Kashima Limited
Nagano No.1 Test Site
INTERFERENCE RADIATION TEST

APPLICANT : FUJITSU LIMITED
 EUT NAME : USB I/F Board
 MODEL NO. : CA04339-C841
 SERIAL NO. : None
 TEST MODE : M33111A02
 POWER SOURCE : DC 5V (AC120V/60Hz)
 DATE TESTED : Apr 14 1999
 FILE NO. : AKL-399070
 REGULATION : FCC Part15B CLASS B
 TEST METHOD : ANSI C63.4-1992
 DISTANCE : 3.0 [m]
 TEMPERATURE : 20.0 []
 HUMIDITY : 55.0 [%]



N. Murakami

ENGINEER : Naohei Murakami

FREQUENCY No	[MHz]	ANT.	READING [dBuV]		FACTOR [dB]		EMISSION [dBuV/m]		LIMIT [dBuV/m]	MARGIN [dB]	
			Hori	Vert	Hori	Vert	Hori	Vert		Hori	Vert
1	45.25	BBA	-	<u>37.7</u>	-4.5	-4.5	-	<u>33.2</u>	40.0	-	<u>6.8</u>
2	58.06	BBA	-	<u>40.7</u>	-7.1	-7.1	-	<u>33.6</u>	40.0	-	<u>6.4</u>
3	79.39	BBA	-	43.3	-12.1	-12.1	-	31.2	40.0	-	8.8
4	100.17	BBA	-	41.5	-8.5	-8.5	-	33.0	43.5	-	10.5
5	144.00	BBA	-	40.0	-9.3	-9.3	-	30.7	43.5	-	12.8
6	159.63	BBA	-	40.2	-9.7	-9.7	-	30.5	43.5	-	13.0
7	168.00	BBA	-	<u>45.2</u>	-8.3	-8.3	-	<u>36.9</u>	43.5	-	<u>6.6</u>
8	171.03	BBA	<u>43.6</u>	41.5	-7.9	-7.9	<u>35.7</u>	33.6	43.5	<u>7.8</u>	9.9
9	180.00	BBA	-	41.7	-8.1	-8.1	-	33.6	43.5	-	9.9
10	193.84	BBA	<u>47.3</u>	-	-7.3	-7.3	<u>40.0</u>	-	43.5	3.5	-
11	205.24	BBA	<u>41.8</u>	-	-6.9	-6.9	<u>34.9</u>	-	43.5	<u>8.6</u>	-
12	336.02	BBA	38.9	-	-2.1	-2.1	36.8	-	46.0	9.2	-
13	364.87	BBA	-	37.4	-1.7	-1.7	-	35.7	46.0	-	10.3
14	410.48	BBA	-	38.3	-1.1	-1.1	-	37.2	46.0	-	8.8
15	547.31	BBA	33.5	-	1.5	1.5	35.0	-	46.0	11.0	-

Higher six points are underlined.

Other frequencies : Below the FCC Part15B CLASS B limit

Emission Level = Read + Factor(Antenna,Antenna Pad,Cable,Preamp)

ANT. : Used antenna(BBA = Broadband antenna, DIP = Dipole antenna)

9.3 Sample Calculations

9.3.1 Conducted Emission

Example @ 0.4500 MHz

$$\begin{array}{rcl} \text{Emission Level} & = & \text{Meter Reading} & 35.0 \text{ dBuV} \\ & & + \text{Factor} & + \underline{6.7 \text{ dB}} \\ & & & = 41.7 \text{ dBuV} \end{array}$$

$$\begin{array}{rcl} \text{Margin} & = & \text{Limit} & 48.0 \text{ dBuV} \\ & & - \text{Emission Level} & - \underline{41.7 \text{ dBuV}} \\ & & & = 6.3 \text{ dB} \end{array}$$

$$\text{Factor} = \text{LISN Factor} + \text{Cable Loss} + \text{Pad Loss}$$

9.3.2 Radiated Emission

Example @ 193.84 MHz

$$\begin{array}{rcl} \text{Emission Level} & = & \text{Meter Reading} & 47.3 \text{ dBuV} \\ & & + \text{Factor} & - \underline{7.3 \text{ dB}} \\ & & & = 40.0 \text{ dBuV/m} \end{array}$$

$$\begin{array}{rcl} \text{Margin} & = & \text{Limit} & 43.5 \text{ dBuV/m} \\ & & - \text{Emission Level} & - \underline{40.0 \text{ dBuV/m}} \\ & & & = 3.5 \text{ dB} \end{array}$$

$$\text{Factor} = \text{Antenna Factor} + \text{Cable Loss} - \text{Amplifier Gain} + \text{Pad Loss} \\ \text{Distance Conversion Factor}$$

SECTION 10. PHOTOGRAPHS OF MAXIMUM EMISSION SET-UP

10.1 Conducted Emission Test

Test setup in accordance with ANSI C63.4-1992



Front view



Rear view

10.2 Radiated Emission Test

Test setup in accordance with ANSI C63.4-1992



Front view



Rear view

Note : Maintaining 10cm spacing between all the equipment cabinets.

SECTION 11. INSTRUMENTS USED FOR FINAL TEST

Instrument	Model No.	Serial No.	Manufacturer	Last cal. date	Period
LISN	ESH2-Z5	881493/016	ROHDE & SCHWARZ	Jul. 8, 98	1 Year
	ESH3-Z5	844982/001	ROHDE & SCHWARZ	Oct.13, 98	1 Year
6dB Attenuator	CFA-01	N1	TAMAGAWA	May.28, 98	1 Year
Coaxial cable	5D-2W (4.0 m)	C1	AKZO	Nov. 5, 98	1 Year
Coaxial cable	5D-2W (3.0 m)	C2	AKZO	Nov. 5, 98	1 Year
Coaxial cable	5D-2W (0.2 m)	C3	AKZO	Nov. 5, 98	1 Year
Coaxial cable	5D-2W (2.0 m)	C4	AKZO	Nov. 5, 98	1 Year
Broad Band antenna	LPB-2513/A	1089	A.R.A.	Jun. 4, 98	1 Year
6dB Attenuator	MP721B	M58224	ANRITSU	Jan. 5, 99	1 Year
Step Attenuator	8494B	2812A15953	HEWLETT PACKARD	Nov. 5, 98	1 Year
Amplifier	8447D	2648A04721	HEWLETT PACKARD	Jan. 5, 99	1 Year
Coaxial cable	5D-2W (15.0 m)	R1	AKZO	Nov. 5, 98	1 Year
Coaxial cable	5D-2W (3.0 m)	R2	AKZO	Nov. 5, 98	1 Year
Coaxial cable	5D-2W (0.3 m)	R3	AKZO	Nov. 5, 98	1 Year
Coaxial cable	5D-2W (1.0 m)	R4	AKZO	Nov. 5, 98	1 Year
Coaxial cable	5D-2W (0.2 m)	R5	AKZO	Nov. 5, 98	1 Year
Coaxial cable	5D-2W (2.0 m)	R6	AKZO	Nov. 5, 98	1 Year
Test receiver	ESS	842886/009	ROHDE & SCHWARZ	May.16, 98	1 Year
RF Switch	ACX-150-1	C01301501	AKZO	Nov. 5, 98	1 Year
Site Attenuation				Mar.31, 99	1 Year

Note : Test instruments are calibrated according to Quality Manual and Calibration Rules of EMC division.

SECTION 12. UNCERTAINTY OF MEASUREMENT

Uncertainty of measurement

The uncertainty of the measurements performed for this report lies:

Radiated emission at 3m	
30 MHz 1000 MHz	± 3.6 dB

Conducted emission	
9 kHz 30 MHz	± 1.8 dB

These figures indicate the uncertainty of the measurements when the same staff performs the test with the same testing equipment and facility.

The uncertainty of the measurements when a different staff with different equipment and facility are under study.

Please note that these uncertainty are not reflected to the compliance judgement of the test results in this report.

SECTION 13. VALIDITY OF TEST REPORT

- 13.1 The test result of this report is effective for equipment under test itself and under the test configuration described on the report.
- 13.2 This test report does not assure that whether the test result taken in other testing laboratory is compatible or reproducible to the test result on this report or not.
- 13.3 Copying of this report without permission is prohibited.

SECTION 14. DESCRIPTION OF TEST LABORATORY

14.1 Outline of Akzo Kashima Limited, EMC Division

Akzo Kashima Ltd. was established in 1975 for manufacturing specialty chemicals. The shares are owned by Akzo Nobel KK (70%), the country organization in Japan for Akzo Novel nv., and TOSOH Corporation (30%), one of the leading petrochemical manufacturers in Japan. Akzo Nobel, headquartered in the Netherlands, is one of the world's leading companies in selected areas of chemicals, coatings, healthcare products and fibers with work force of approximately 70,000 people in over 50 countries.

In 1984, in order to respond to the growing testing demand, in particular, for FCC filing, Akzo Kashima started EMI testing business, installing the first open air test site in Kashima, Ibaraki prefecture. Further the business has been expanded by installing additional testing facilities not only in Kashima but also in other areas such as Shizuoka, Nagano, Kanagawa and Tochigi. As results, Akzo Kashima has now 16 open air test sites and 4 anechoic chambers for EMI/EMC testing. As the largest EMC testing laboratory in number of testing facilities and staffs, EMC Division has been organized separately in the company and independently operated in conformity with the requirements of ISO Guide 25 (EN 45000) for its competency as a testing laboratory.

Akzo Kashima EMC Division is the first foreign private laboratory accredited by NVLAP, National Voluntary Laboratory Accreditation Program-NIST, USA. The division has been certified, authorized and/or filed as a competent testing laboratory by various testing organizations/authorities as described below.

14.2 Filing, certification, authorization and accreditation list

<u>EMI/EMC testing</u>		<u>Telecommunications terminal testing</u>	
FCC	(USA)	FCC	(USA)
NVLAP	(USA)	NVLAP	(USA)
NEMKO	(Norway)	NATA	(Australia)
VCCI	(Japan)	IC	(Canada)
NMi	(The Netherlands)		
TÜV PRODUCT SERVICE	(Germany)		

Note : NVLAP accreditation does not constitute any product endorsement by NVLAP or any agent of the U.S. Government.