

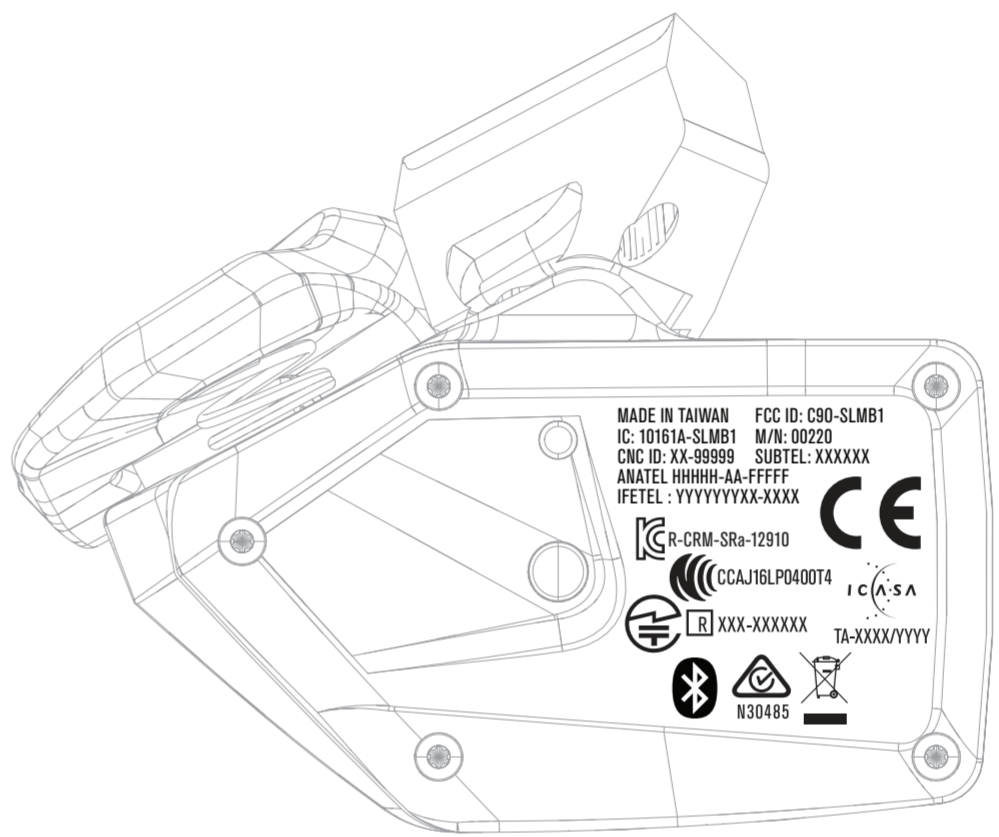
REV	RESPONSIBLE	REVISION RECORD
A	BRILEY	DRAFT

BLACK = PANTONE COOL GRAY 10

MADE IN TAIWAN FCC ID: C80-SLMB1  
 IC: 10161A-SLMB1 M/N: D0220  
 ANATEL: HHHHH-AA-FFFF  
 IFETEL: YYYYYYXX-XXXX

CE

15OCT18 DRAFT V2



DRAFT ONLY

- Notes:**
- Certification Font Specifications
- NAME: Berthold Akzidenz Grotesk
  - STYLE: Condense
  - WEIGH : Regular

DOCUMENT MAY NOT REPRESENT COMPLETE REQUIREMENTS. REFER TO PRODUCT STRUCTURE	
GEOMETRIC DIMENSIONING AND TOLERANCING TO BE INTERPRETED PER ASME Y 14.5-2009	FORMAT: A2 SHEET: 1/1
DO NOT SCALE DRAWING	<b>SRAM</b> CONFIDENTIAL - THIS DRAWING CONTAINS INFORMATION THAT IS PROPRIETARY TO SRAM CORPORATION AND MAY NOT BE DISCLOSED WITHOUT PERMISSION.
ALL DIMENSIONS ARE mm	DRAWING NAME/DESCRIPTION ARTWORK ES EVERB CERTS DRAFT
UNSPECIFIED LENGTH TOLERANCE XX +/- 0.5	DRAWING NUMBER --
UNSPECIFIED ANGLE TOLERANCE +/- 2degrees	REVISION V2