

1 2 3 4 5 6 7 8 9 10

REV	RESPONSIBLE	REVISION RECORD
A	CMAY	RELEASE

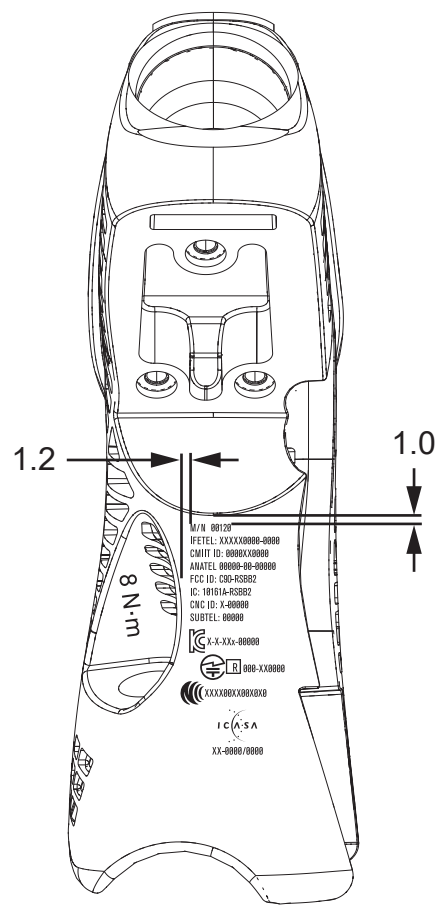


100mm

NOT TO SCALE

8 N.m
 M/N: 00120
 IFETEL: XXXX0000-0000
 CMIT ID: 0000X0000
 AMATEL: 0000-00-00000
 FCC ID: C90-R50B2
 IC: 10101A-R50B2
 CMC ID: X-00000
 SUBTEL: 00000
 K X X XX-00000
 000-XX0000
 XXXX000X0000X
 I C A S A
 XX-0000/0000

05SEP19



DOCUMENT MAY NOT REPRESENT COMPLETE REQUIREMENTS. REFER TO PRODUCT STRUCTURE

GEOMETRIC DIMENSIONING AND TOLERANCING TO BE INTERPRETED PER ASME Y 14.5-2009 DO NOT SCALE DRAWING ALL DIMENSIONS ARE mm UNSPECIFIED LENGTH TOLERANCE X.X +/- 0.5 UNSPECIFIED ANGLE TOLERANCE +/- 2degrees	FORMAT: A3	SHEET: 1/1
	SRAM CONFIDENTIAL - THIS DRAWING CONTAINS INFORMATION THAT IS PROPRIETARY TO SRAM CORPORATION AND MAY NOT BE DISCLOSED WITHOUT PERMISSION.	
	DRAWING NAME/DESCRIPTION ARTWORK ED RIGHT RIVAL CERTIFICATION	
	DRAWING NUMBER	REVISION A

1 2 3 4 5 6 7 8 9 10