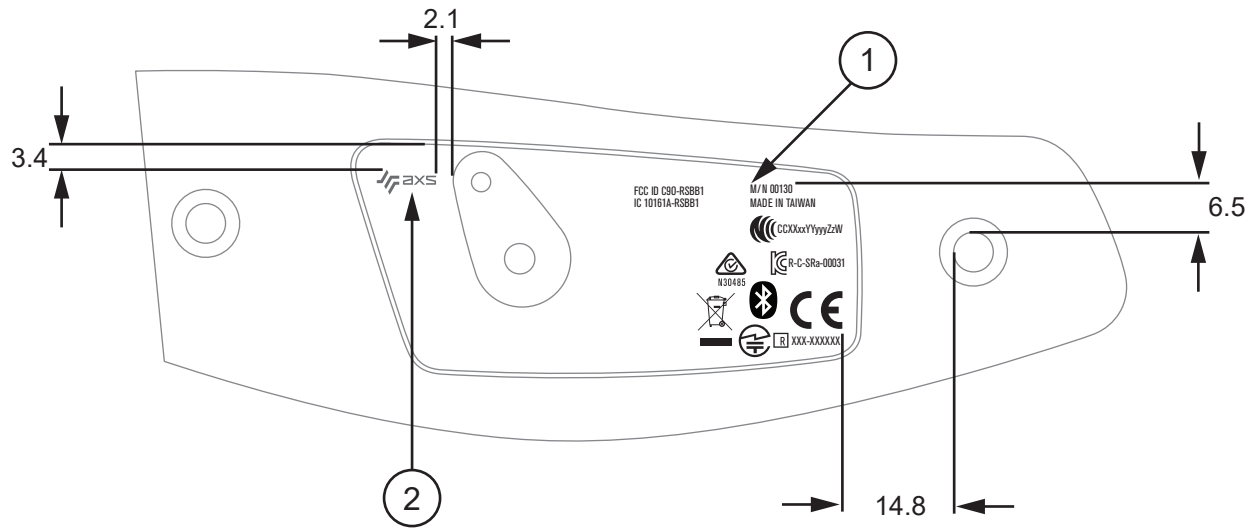


1 2 3 4 5 6 7 8 9 10

REV	RESPONSIBLE	REVISION RECORD
A	LCASTANUELA	RELEASE



RIGHT SIDE



PART NUMBER	DESCRIPTION
90-6618-025-000	ART PLACEMENT EXT VUKA SAXS COVER CERT R

Notes:

- Certification Font Specifications
- NAME: Berthold Akzidenz Grotesk
 - STYLE: Condense
 - WEIGH : Regular

DOCUMENT MAY NOT REPRESENT COMPLETE REQUIREMENTS. REFER TO PRODUCT STRUCTURE		
GEOMETRIC DIMENSIONING AND TOLERANCING TO BE INTERPRETED PER ASME Y 14.5-2009	FORMAT: A3	SHEET: 1/1
DO NOT SCALE DRAWING	<p align="center">SRAM[®]</p> <p align="center">CONFIDENTIAL - THIS DRAWING CONTAINS INFORMATION THAT IS PROPRIETARY TO SRAM CORPORATION AND MAY NOT BE DISCLOSED WITHOUT PERMISSION.</p>	
ALL DIMENSIONS ARE mm		
UNSPECIFIED LENGTH TOLERANCE X.X +/- 0.5	DRAWING NAME/DESCRIPTION	
UNSPECIFIED ANGLE TOLERANCE +/- 2degrees	ART PLACEMENT EXT VUKA SAXS COVER CERT R	
	DRAWING NUMBER	REVISION
	90-6618-025-000	A

1 2 3 4 5 6 7 8 9 10