

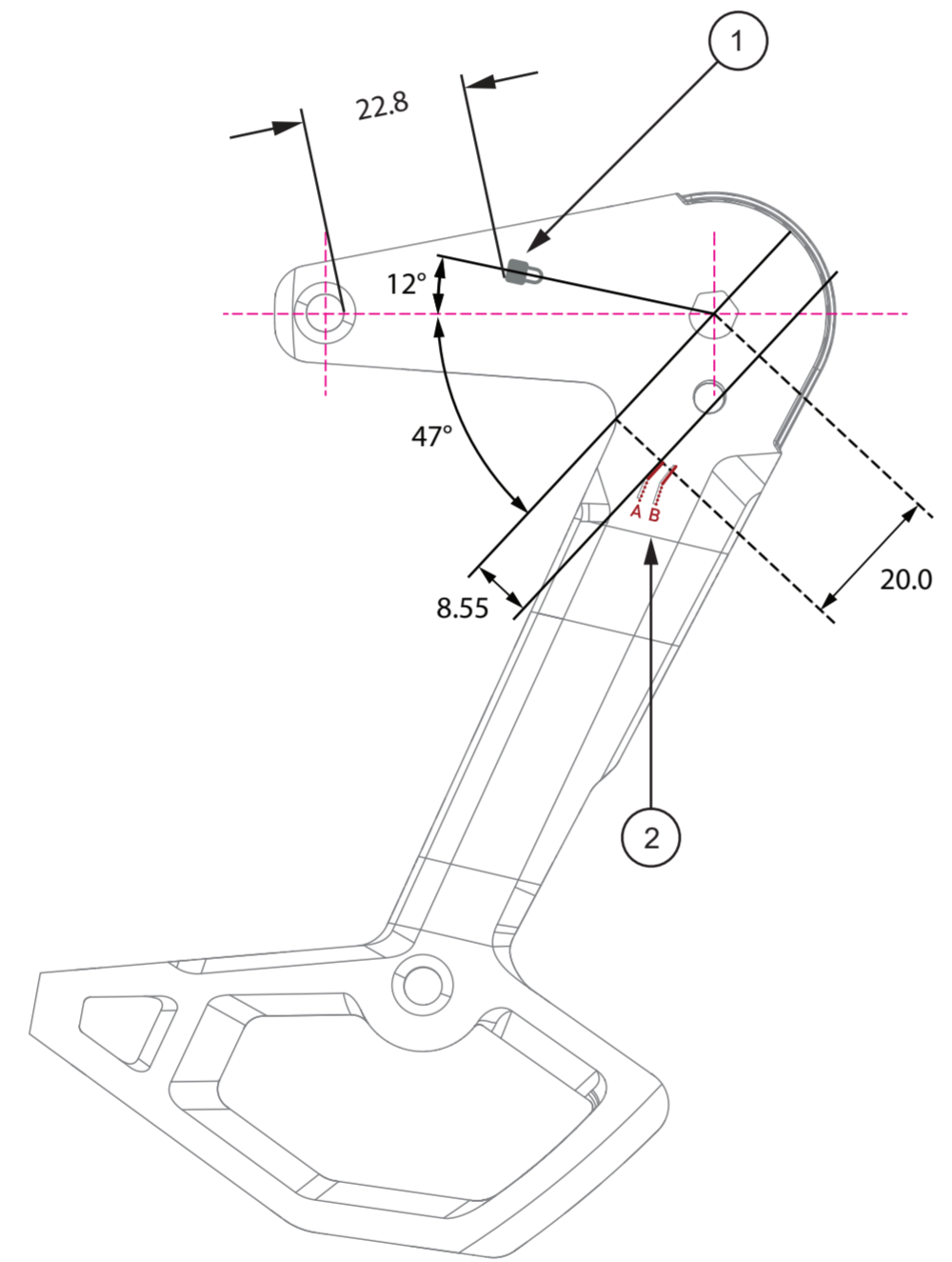
1 2 3 4 5 6 7 8 9 10 11 12 13 14 15

REV	RESPONSIBLE	REVISION RECORD
A	MNAUMAN	INITIAL REVISION

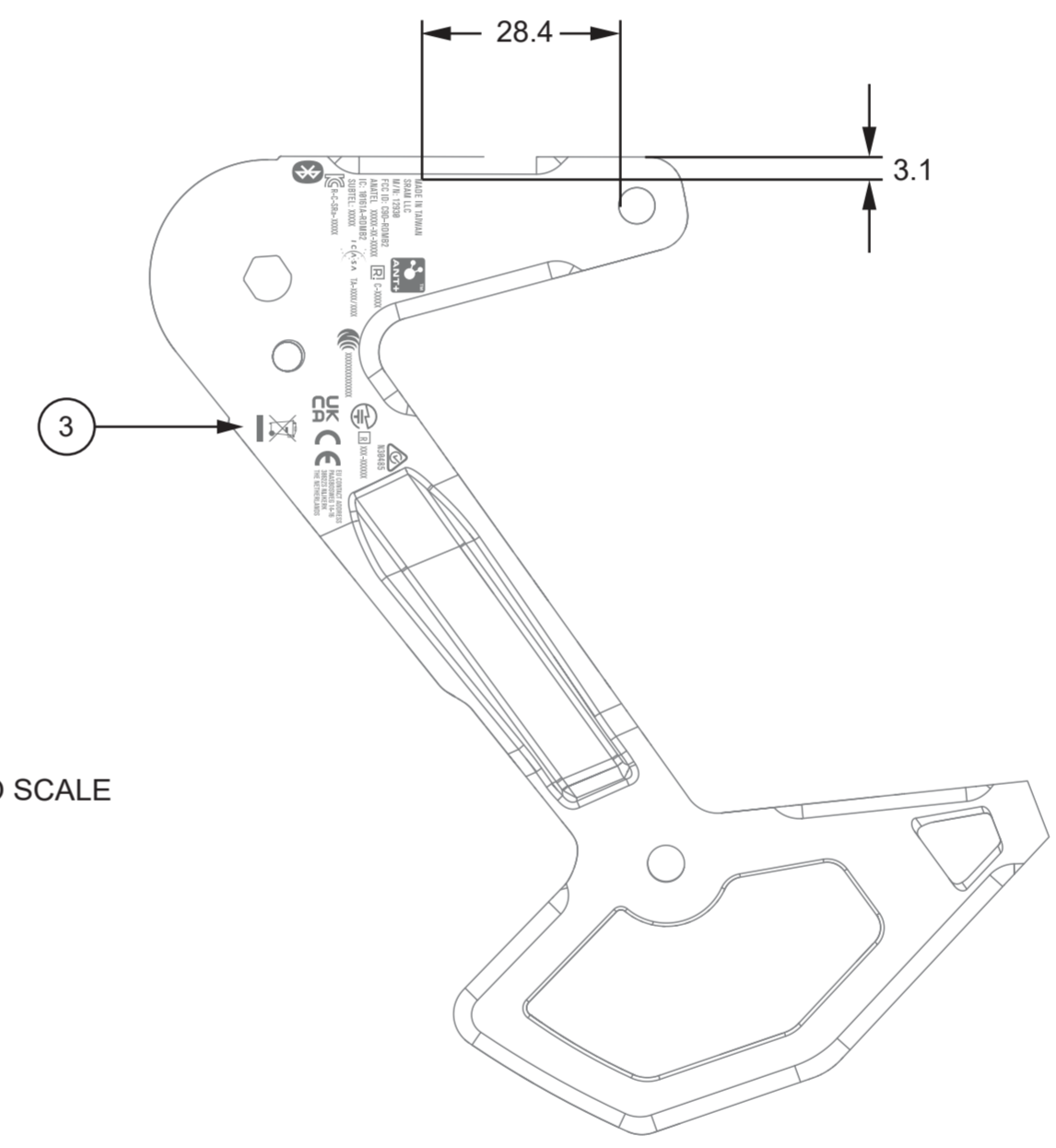
100mm

GREY = PANTONE COOL GRAY 9

28SEP22 XXX



NOT TO SCALE



DOCUMENT MAY NOT REPRESENT COMPLETE REQUIREMENTS. REFER TO PRODUCT STRUCTURE	
GEOMETRIC DIMENSIONING AND TOLERANCING TO BE INTERPRETED PER ASME Y 14.5-2009	FORMAT: A2 SHEET: 1/1
DO NOT SCALE DRAWING	<b>SRAM</b> CONFIDENTIAL - THIS DRAWING CONTAINS INFORMATION THAT IS PROPRIETARY TO SRAM CORPORATION AND MAY NOT BE DISCLOSED WITHOUT PERMISSION.
ALL DIMENSIONS ARE mm	DRAWING NAME/DESCRIPTION ARTWORK PLACEMENT RD OC AXS TG3 DRAFT
UNSPECIFIED LENGTH TOLERANCE X.X +/- 0.5	DRAWING NUMBER 90-XXXX
UNSPECIFIED ANGLE TOLERANCE +/- 2degrees	REVISION A

1 2 3 4 5 6 7 8 9 10 11 12 13 14 15