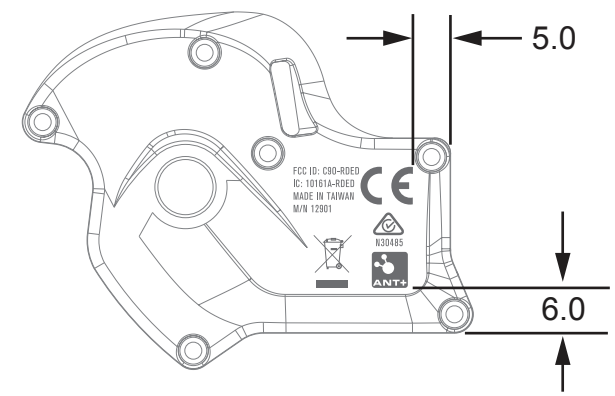
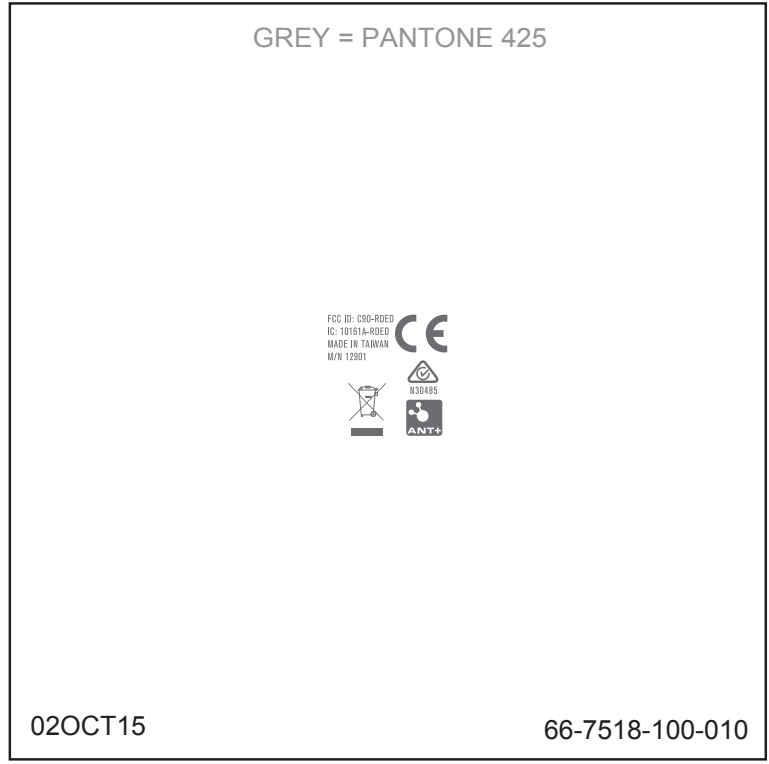


REV	REVISION RECORD
A	RELEASE
B	CHANGE: 67-8815-026-000 (F10) WAS 67-8815-027-000



NOT TO SCALE

PART NUMBER	DESCRIPTION	PROCESS SPEC.
66-7518-100-010	ARTWORK RD PK CERTIFICATION	67-8815-026-000

DESIGNED BY: CHRIS MAY	FORMAT: A3	SHEET: 1/1
<p>GEOMETRIC DIMENSIONING AND TOLERANCING TO BE INTERPRETED PER ANSI Y 14.5M 1994</p> <p>DO NOT SCALE DRAWING</p> <p>ALL DIMENSIONS ARE mm</p> <p>UNSPECIFIED LENGTH TOLERANCE X.X +/- 1.0</p> <p>UNSPECIFIED ANGLE TOLERANCE +/- 5degrees</p>		
<p>SRAM</p> <p>CONFIDENTIAL - THIS DRAWING CONTAINS INFORMATION THAT IS PROPRIETARY TO SRAM CORPORATION AND MAY NOT BE DISCLOSED WITHOUT PERMISSION.</p>		
DRAWING NAME/DESCRIPTION		
ARTWORK RD PK CERTIFICATION		
DRAWING NUMBER		REVISION
66-7518-100-XXX		B