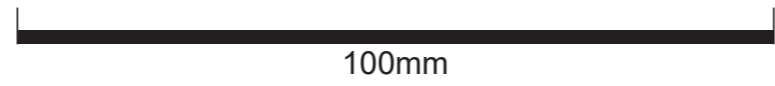
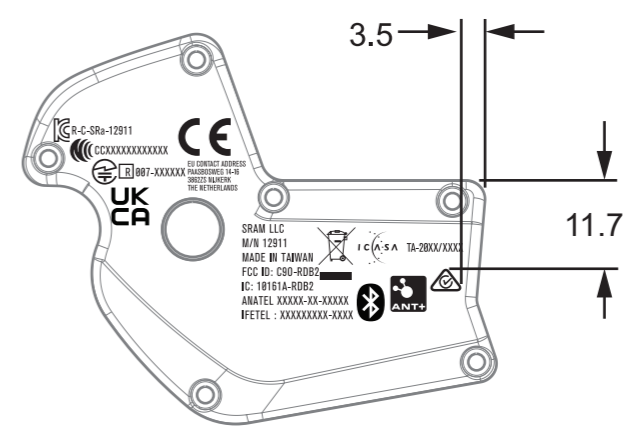
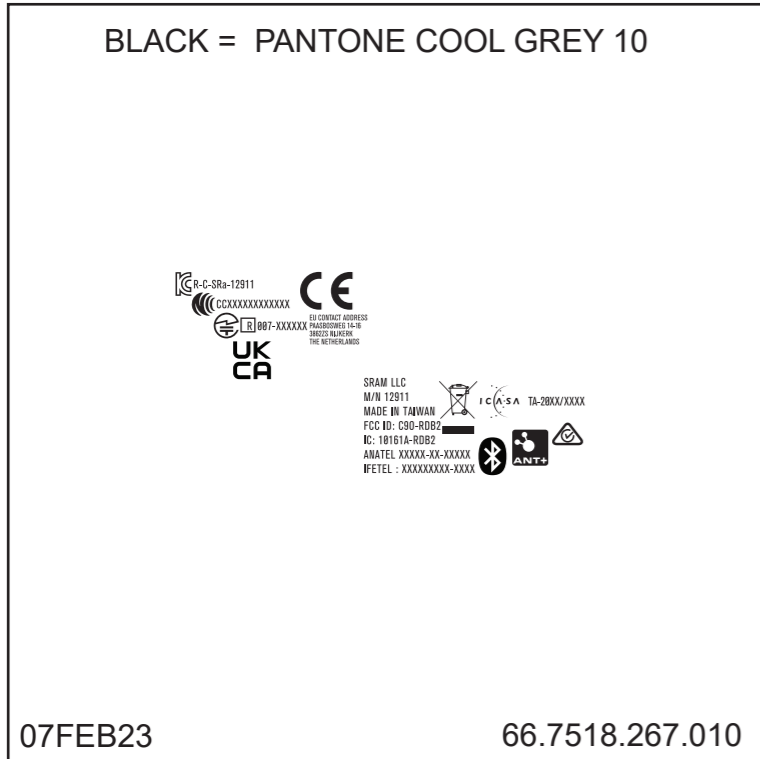


1 2 3 4 5 6 7 8 9 10



REV	RESPONSIBLE	REVISION RECORD
A	MNAUMAN	INITIAL REVISION



NOT TO SCALE

PART NUMBER	DESCRIPTION
66.7518.267.010	ARTWORK RD PK RED 24 2X CERTS

DOCUMENT MAY NOT REPRESENT COMPLETE REQUIREMENTS. REFER TO PRODUCT STRUCTURE		
GEOMETRIC DIMENSIONING AND TOLERANCING TO BE INTERPRETED PER ASME Y 14.5-2009	FORMAT: A3	SHEET: 1/1
DO NOT SCALE DRAWING	SRAM [®]	
ALL DIMENSIONS ARE mm	CONFIDENTIAL - THIS DRAWING CONTAINS INFORMATION THAT IS PROPRIETARY TO SRAM CORPORATION AND MAY NOT BE DISCLOSED WITHOUT PERMISSION.	
UNSPECIFIED LENGTH TOLERANCE X.X +/- 0.5	DRAWING NAME/DESCRIPTION ARTWORK RD PK RED 24 2X CERTS	
UNSPECIFIED ANGLE TOLERANCE +/- 2degrees	DRAWING NUMBER 66-7518-267-0XX	REVISION A

1 2 3 4 5 6 7 8 9 10