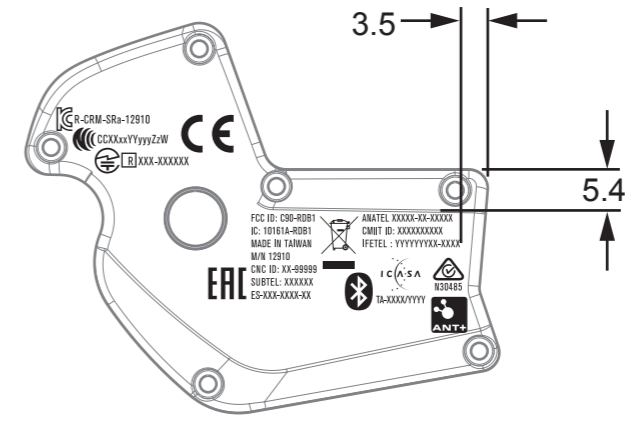
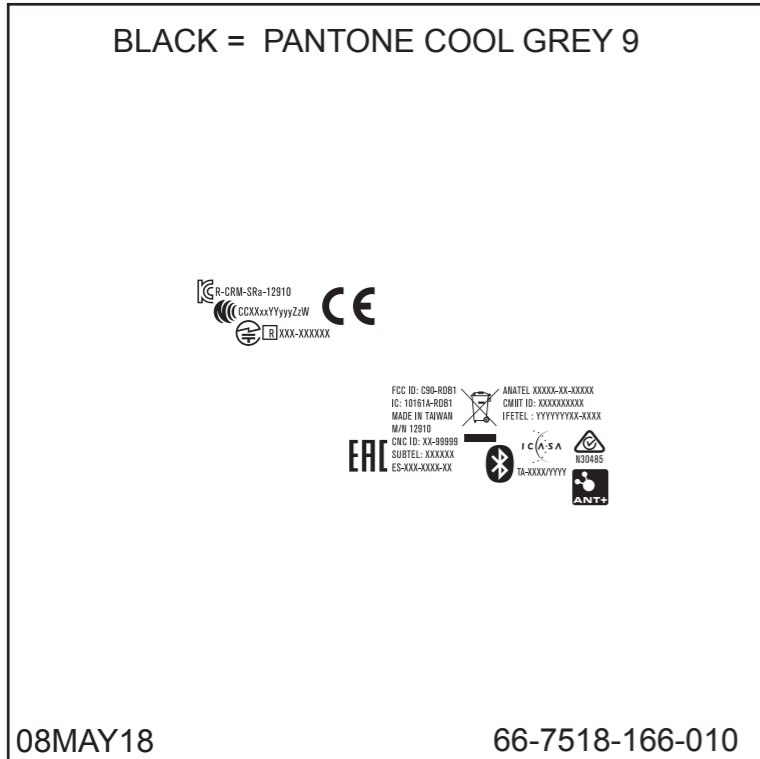


REV	RESPONSIBLE	REVISION RECORD
A	CMAY	RELEASE



NOT TO SCALE

PART NUMBER	DESCRIPTION
66-7518-166-010	ARTWORK DOPPIO FORCE CERTIFICATION RD PK

Notes:
 Certification Font Specifications
 - NAME: Berthold Akzidenz Grotesk
 - STYLE: Condense
 - WEIGH : Regular

DOCUMENT MAY NOT REPRESENT COMPLETE REQUIREMENTS. REFER TO PRODUCT STRUCTURE		
GEOMETRIC DIMENSIONING AND TOLERANCING TO BE INTERPRETED PER ASME Y 14.5-2009	FORMAT: A3	SHEET: 1/1
DO NOT SCALE DRAWING	<p>CONFIDENTIAL - THIS DRAWING CONTAINS INFORMATION THAT IS PROPRIETARY TO SRAM CORPORATION AND MAY NOT BE DISCLOSED WITHOUT PERMISSION.</p>	
ALL DIMENSIONS ARE mm		
UNSPECIFIED LENGTH TOLERANCE X.X +/- 0.5	DRAWING NAME/DESCRIPTION	
UNSPECIFIED ANGLE TOLERANCE +/- 2degrees	ARTWORK DOPPIO FORCE CERTIFICATION RD PK	
	DRAWING NUMBER	REVISION
	66-7518-166-0XX	A